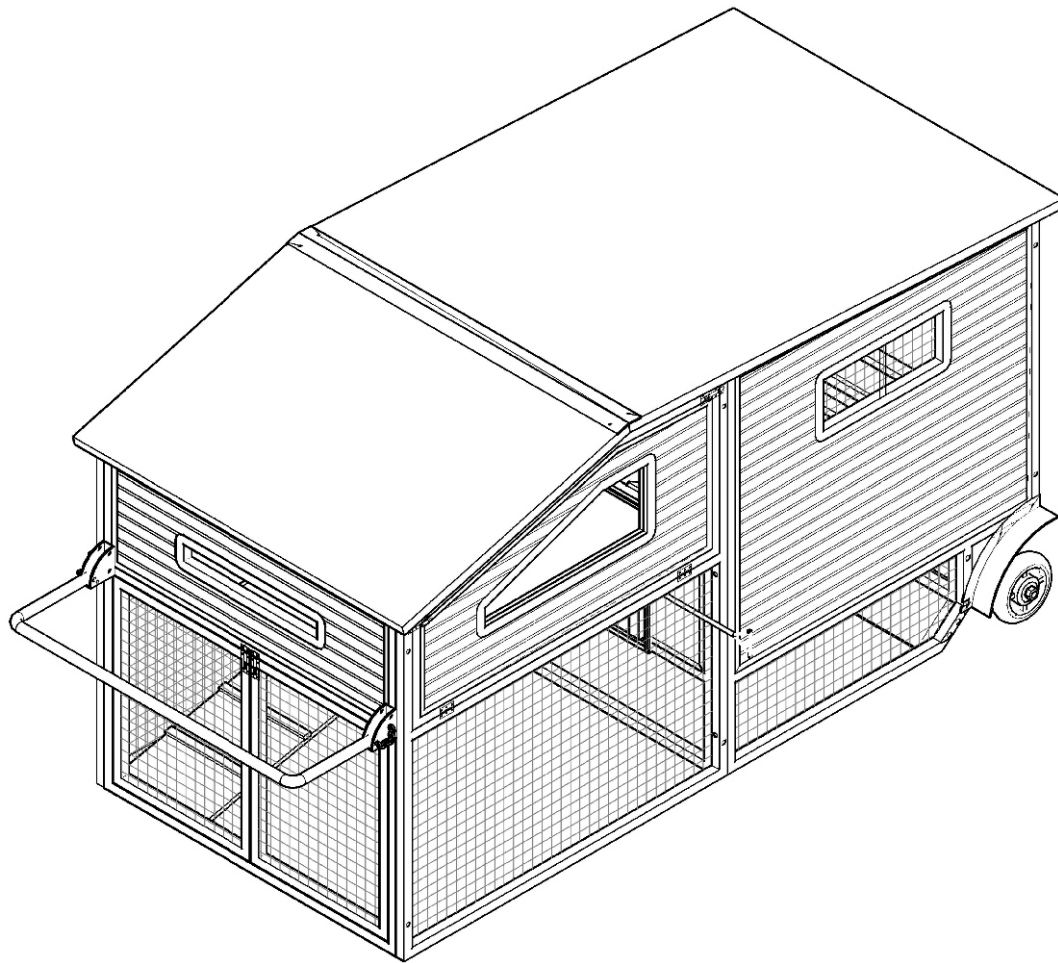


**PP CAMPER COOP TRACTOR**

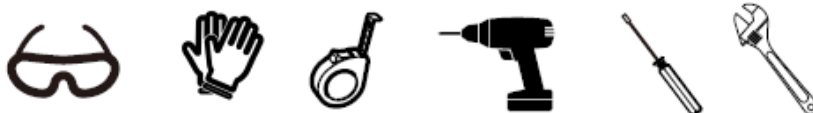
**SKU# 2348492**



# **ASSEMBLY MANUAL**

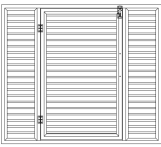
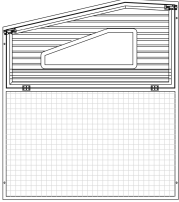
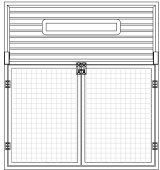
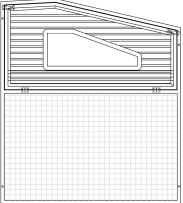
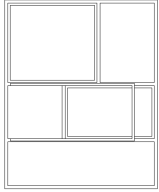
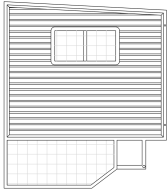
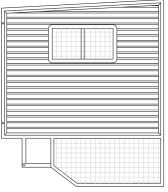





Tools required for assembly (not included)






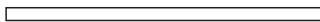


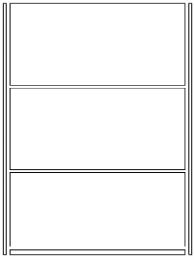
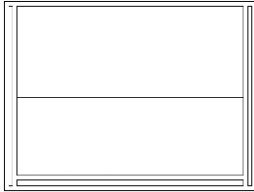
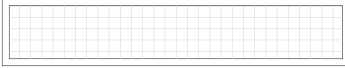



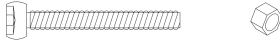
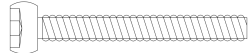
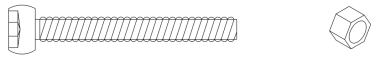


Distributed by: TRACTOR SUPPLY COMPANY  
5401 VIRGINIA WAY, BRENTWOOD, TN 37027  
For customer support, call: 1-888-376-9601  
[www.TractorSupply.com](http://www.TractorSupply.com)  
MADE IN CHINA












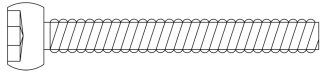

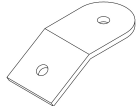

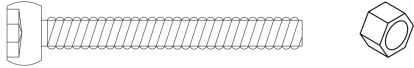
# PARTS LIST

<b>Part#</b>	<b>Description</b>	<b>Drawing</b>	<b>Qty.</b>
1	Coop Roosting Area Back Panel		1
2	Nesting Area Left Panel		1
3	Nesting Area Front Panel		1
4	Nesting Area Right Panel		1
5	Coop Roosting Area Front Panel		1
6	Coop Roosting Area Left Panel		1
7	Coop Roosting Area Right Panel		1
8	The First Floor Ramp		1
9	The second Floor Ramp		1
10	Roosting Area Floor		1

# PARTS LIST

Part#	Description	Drawing	Qty.
11	Nesting Area Floor		1
12	Nesting Box Side Panel		2
13	Nesting Box Front/Back Panel		2
14	Nesting Box Divider		2
15	Roosting Bar-A		2
16	Roosting Bar-B		1
17	Coop Pushing Rod		1
18	Roof Cap		1
19	Roosting Area Roof		1
20	Nesting Area Roof		1
21	Back Run Panel of Roosting Area		1
22	Sliding Door		1
23	Roosting Area Floor Support Rod		1
24	Back Run Slope Panel of Roosting Area		1
25	Bolt&Nut M8x55mm		2
26	Bolt M6x35mm		26
27	Bolt&Nut M6x25mm		2

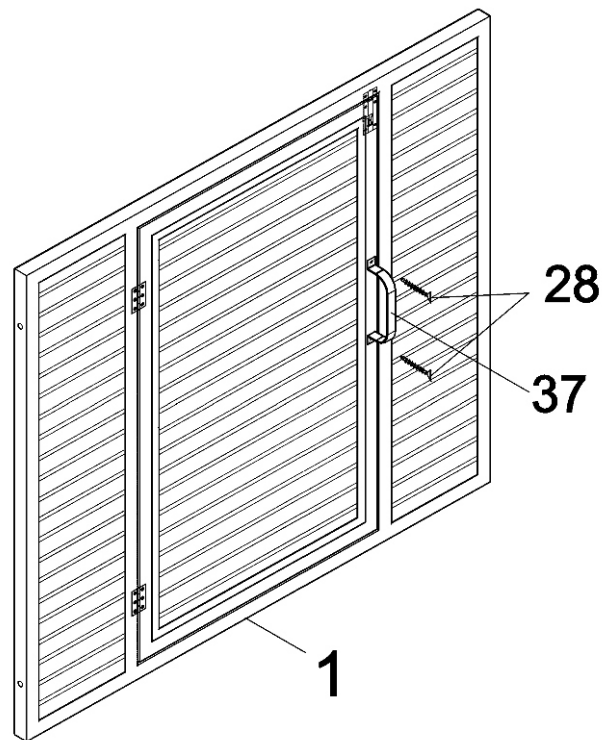
# PARTS LIST

Part#	Description	Drawing	Qty.
28	Self-Tapping Screw M3.5x16mm		14
29	Self-Tapping Screw M3x28mm		10
30	Wheels		2
31	Wheels Washer		6
32	Wheel Nut		1
33	Hanging Rope Gasket of Nesting Area Door		8
34	Wheel Axle		1
35	Wheel Fender		1
36	Wheel Fender		1
37	Coop Roosting Area Back Door Handle		1
38	Coop Pushing Rod Latch		2
39	Bolt M6x15mm		18
40	Hanging Rope of Nesting Area Door		4
41	Ramp Buckle		2
42	Roosting Area Front Sliding Door Handle		1
43	Bolt&Nut M6x35mm		2

# ASSEMBLY

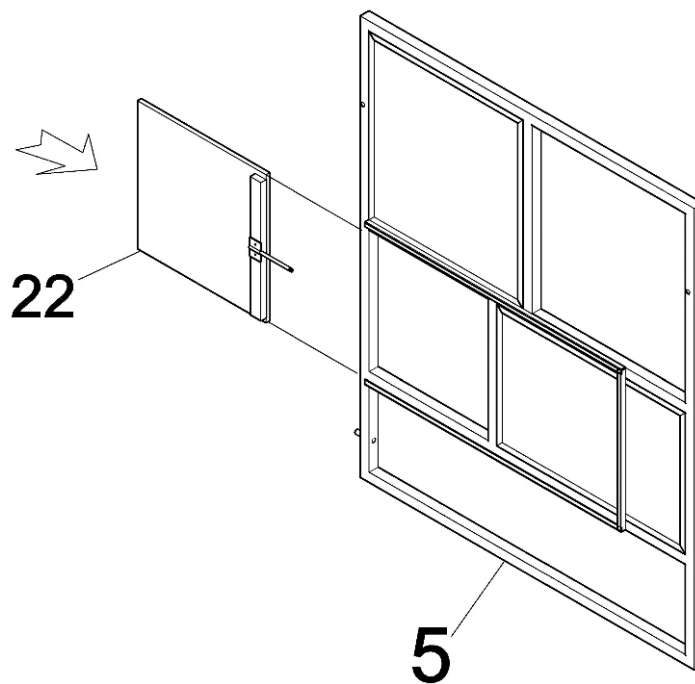
## Step 1

- Fix the handle(#37) onto the door of Coop roosting area back panel(#1)with self-tapping screws (#28).



## Step 2

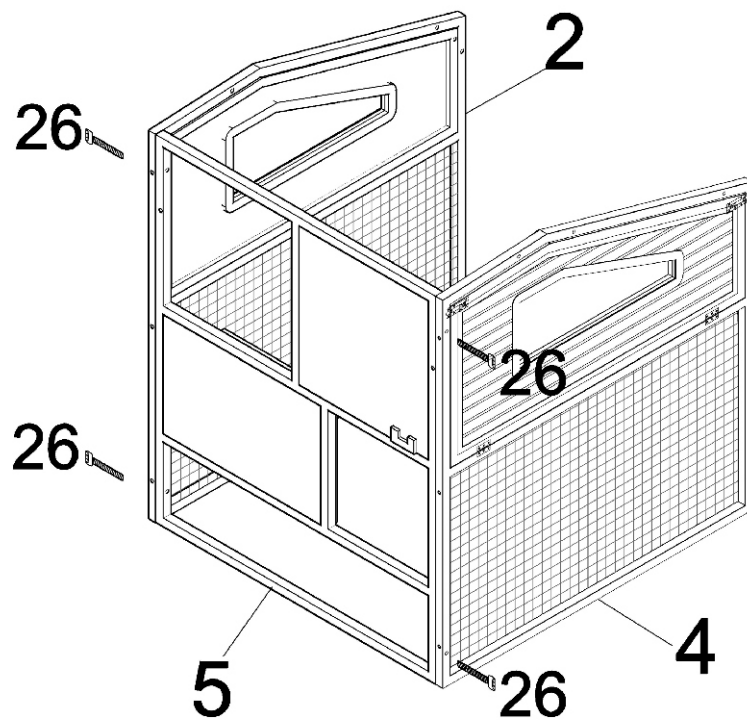
- Put the Sliding door(#22) into the Coop roosting area front panel(#5).



## ASSEMBLY

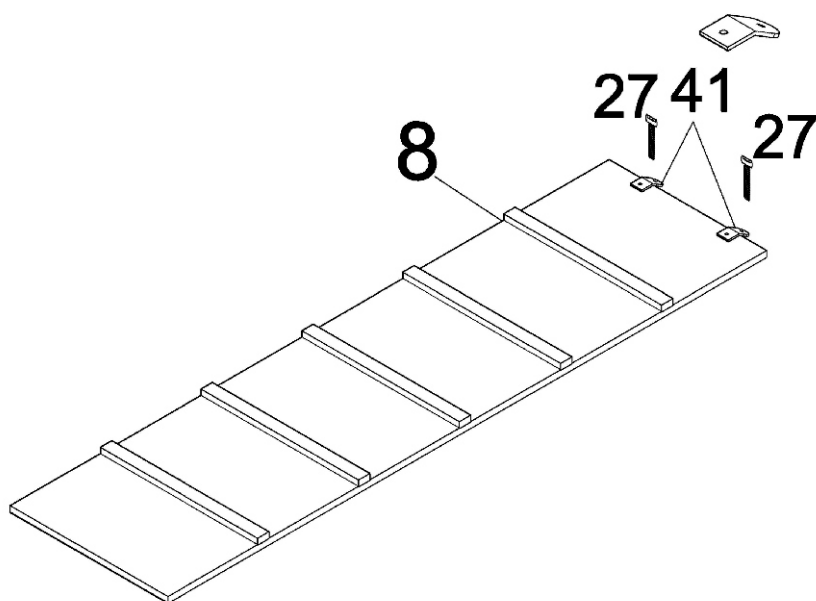
### Step 3

- Connecting Nesting area left (#2) & right(#4) panels and Roosting area front panel (#5) with Bolt M6x35mm (#26). Make sure the bottom of each panel is aligned properly.



### Step 4

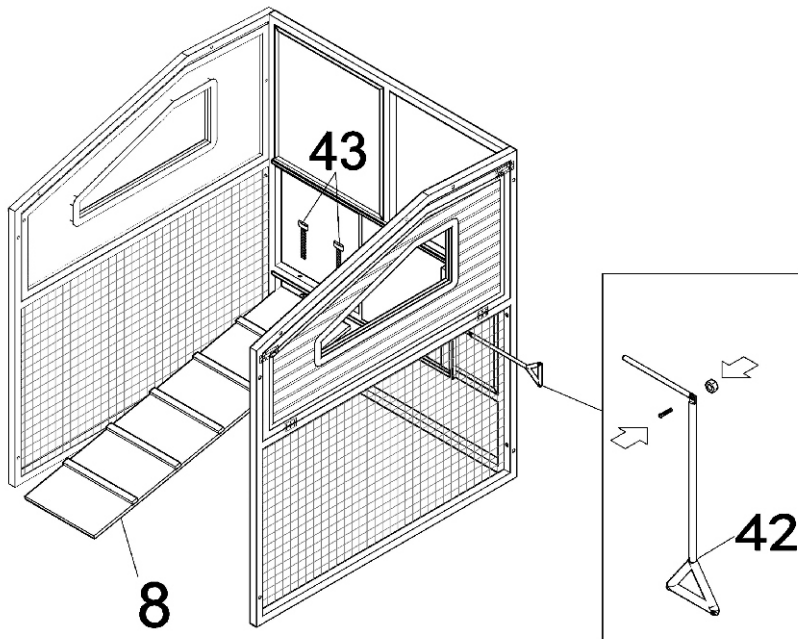
- Fix the ramp buckle (#41) onto the first floor ramp (#8) with Bolt&Nut M6x25mm (#27).



## ASSEMBLY

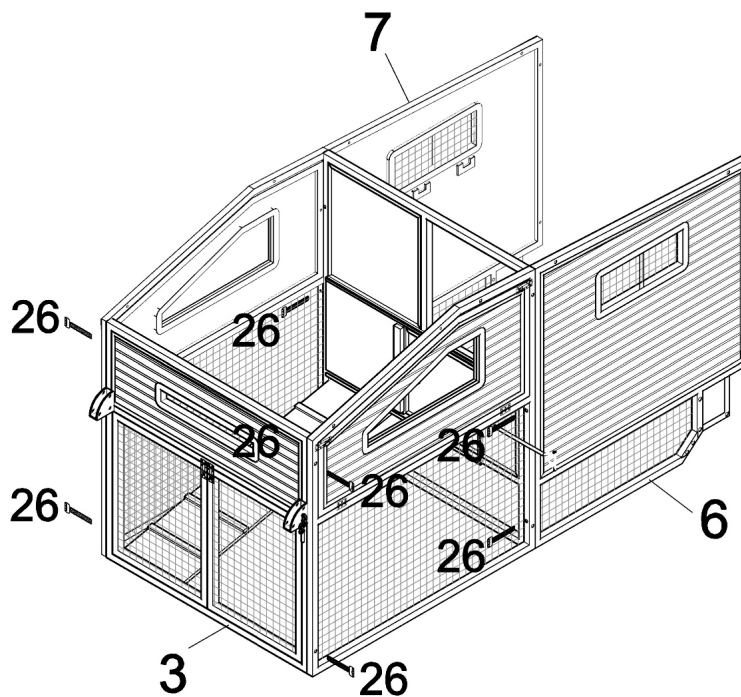
### Step 5

- Fix the first floor ramp(#8) onto the Coop roosting area front panel(#5) with Bolt&Nut M6x35mm (#43).
- Fix the Roosting Area Front Sliding Door Handle(#42) onto the sliding door with Bolt&Nut.



### Step 6

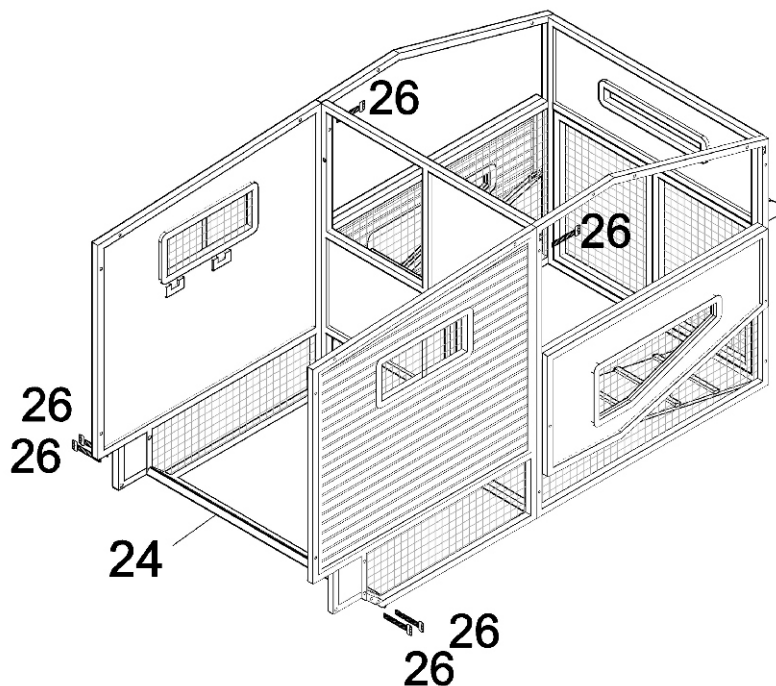
- Connecting the Nesting Area Front Panel(#3) into the nesting area with Bolt M6x35mm (#26).
- Connecting the Coop roosting area Left panel (#6) and right panel (#7) with Bolt M6x35mm (#26).



## ASSEMBLY

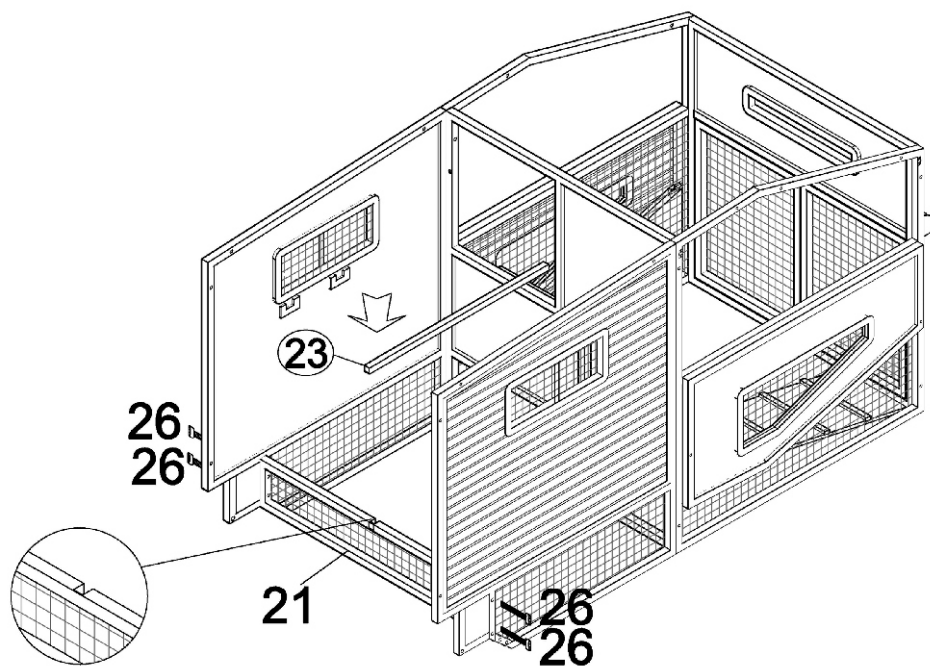
### Step 7

- Fix the back run slope panel of roosting area (#24) into place with Bolt M6x35mm(#26).
- Connecting the Coop roosting area Left panel (#6) and right panel (#7) with Bolt M6x35mm (#26).



### Step 8

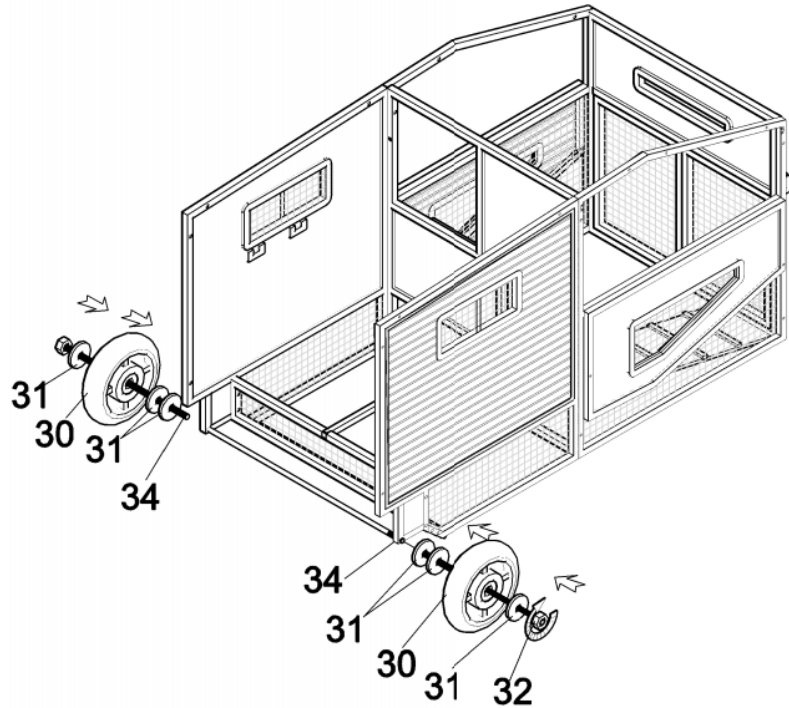
- Fix the back run panel of roosting area(#21) with Bolt M6x35mm(#26).
- Put the roosting area floor support rod (#23) into place.



## ASSEMBLY

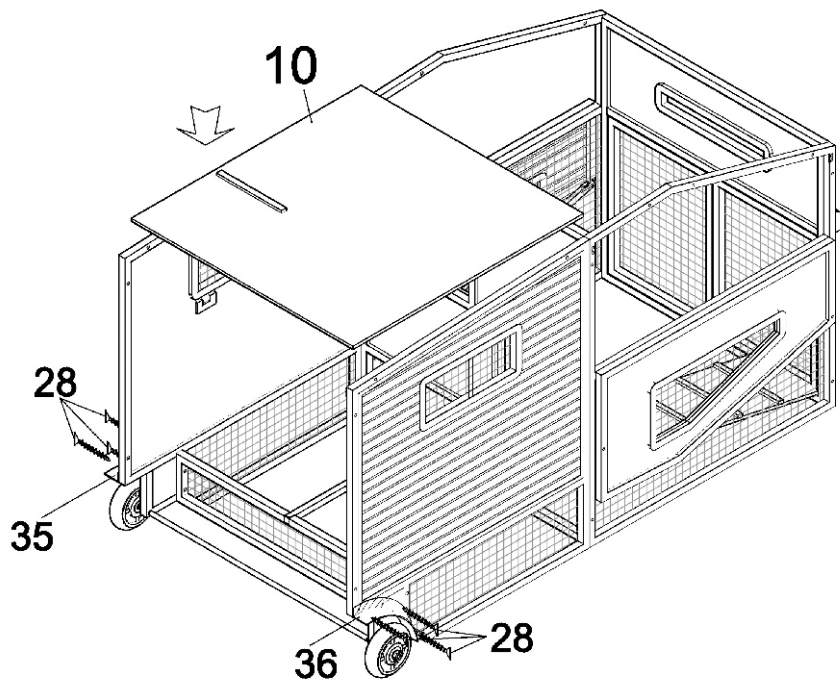
### Step 9

- Pass the washer (#31), wheels(#30) through the wheel axle(#34) as below, then cover the wheel axle at the other end with Wheel Nut(#32)



### Step 10

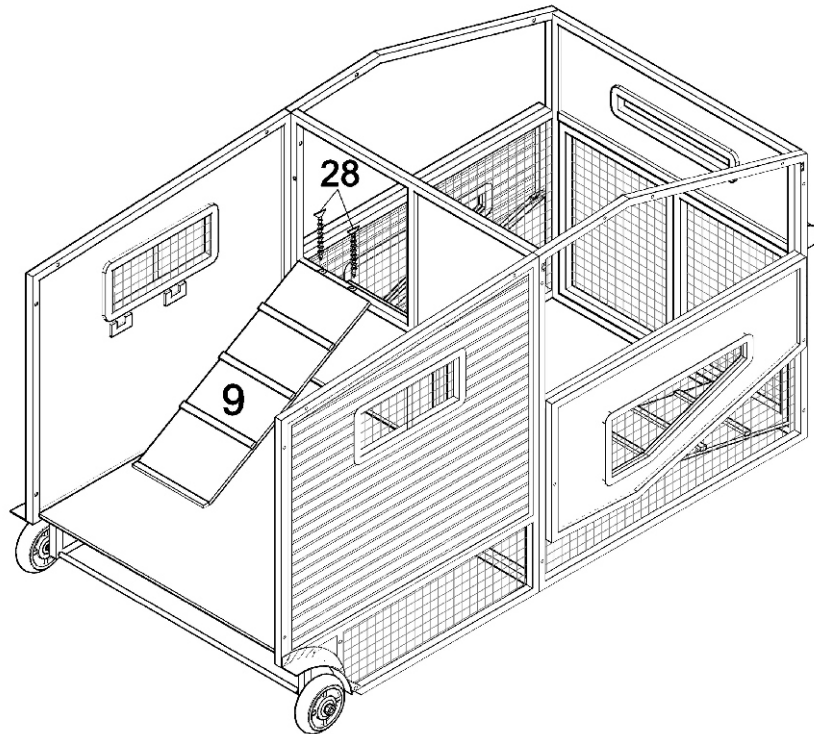
- Put down the roosting area floor (#10) into place.
- Fix the wheel fenders (#35)(#36) with self-tapping screw M3.5x16mm (#28).



## ASSEMBLY

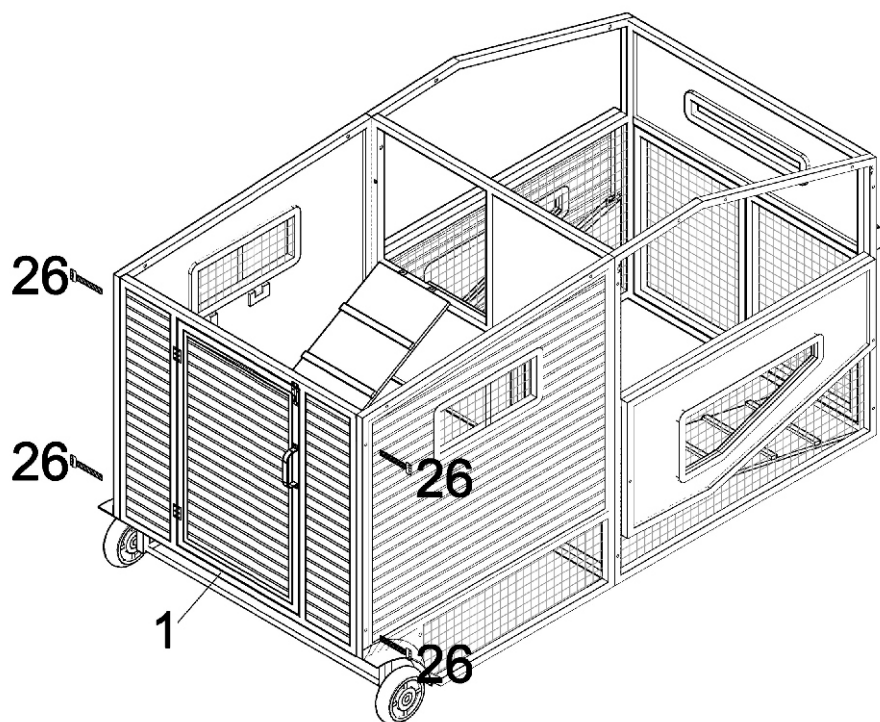
### Step 11

- Fix the second floor ramp (#9) with self-tapping screw M3.5x16mm (#28).



### Step 12

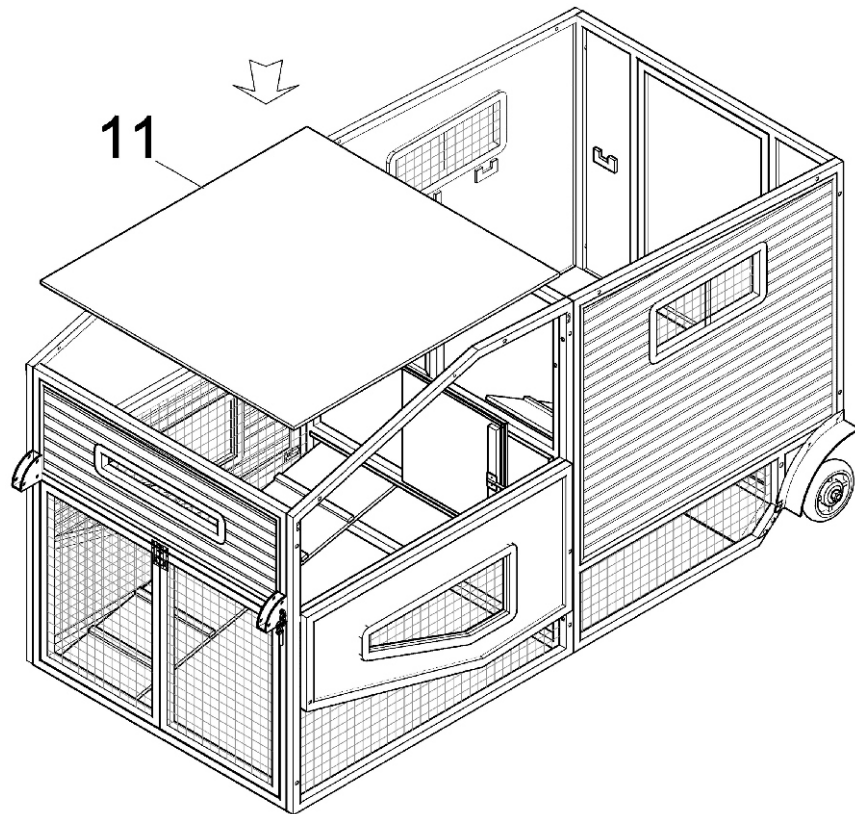
- Connecting the coop roosting area back panel(#1) into place with bolt M6x35mm (#26).



## ASSEMBLY

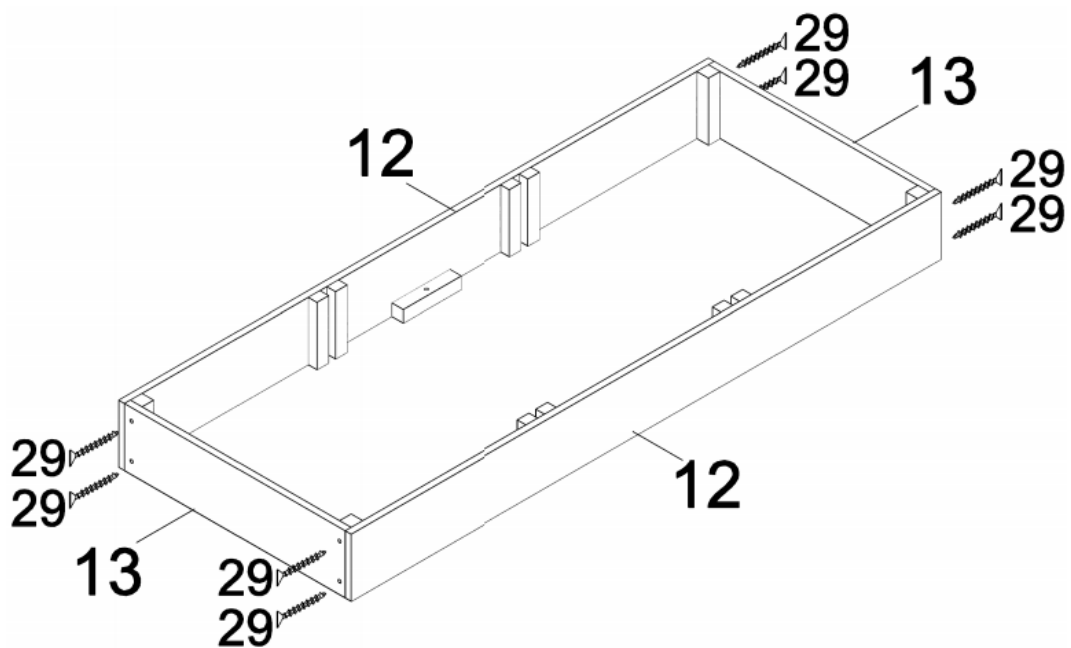
### Step 13

- Put down the nesting area floor(#11).



### Step 14

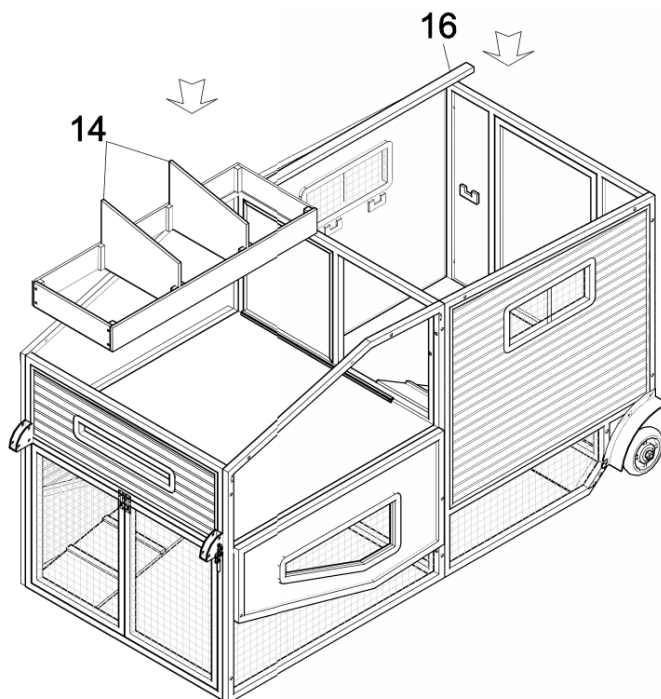
- Connecting the nesting box side Panels (#12) and the nesting box Front/back Panels(#13) with self-tapping screw M3x28mm (#29).



## ASSEMBLY

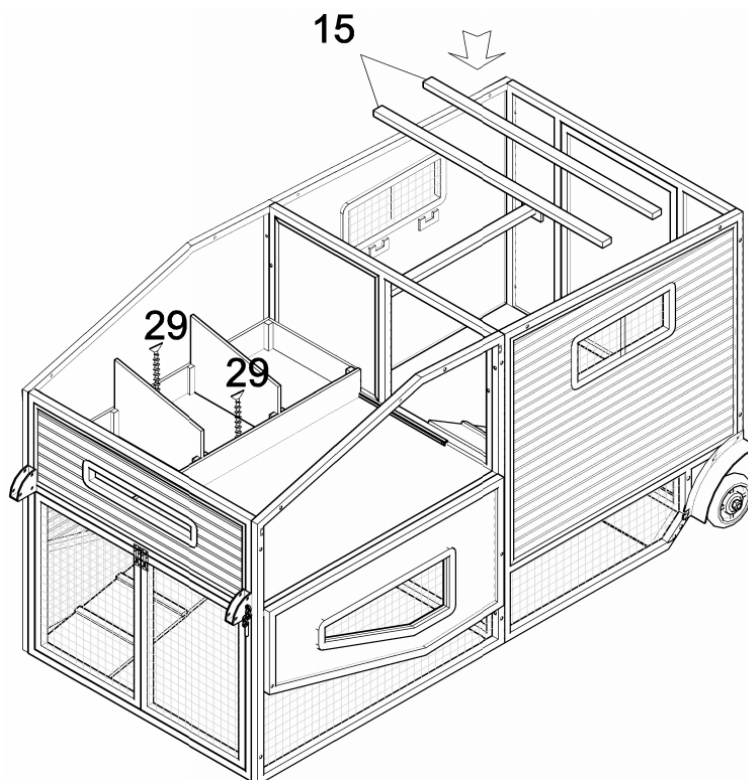
### Step 15

- Put the nesting box into the nesting area, then put the nesting box dividers(#14) into the nesting box.
- Put the roosting bar(#16) onto the base.



### Step 16

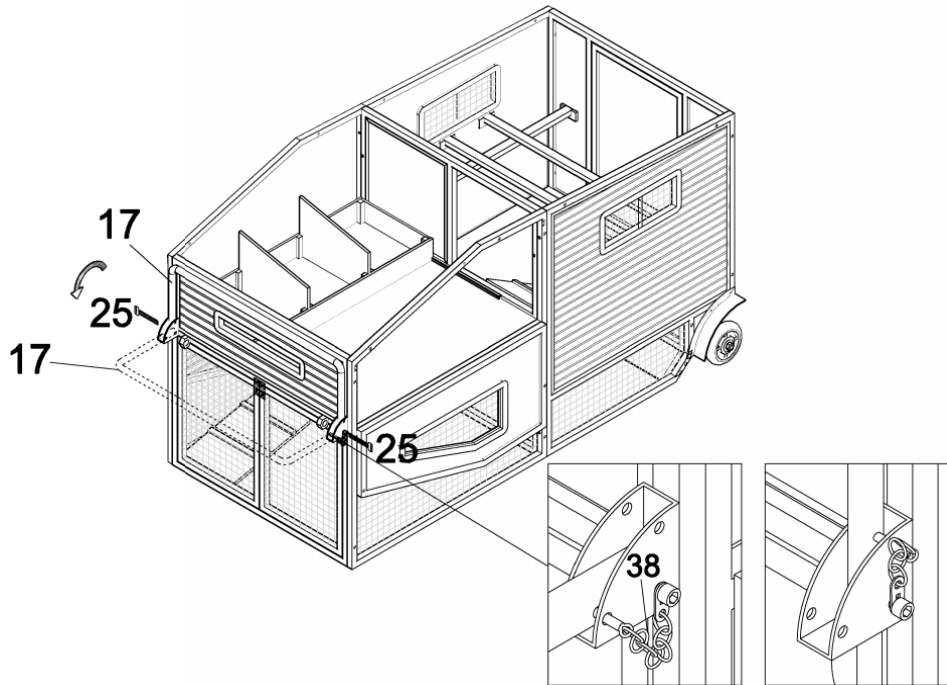
- Fix the nesting box with self-tapping screws M3x28mm(#29).
- Put two roosting bars(#15) onto the base.



# ASSEMBLY

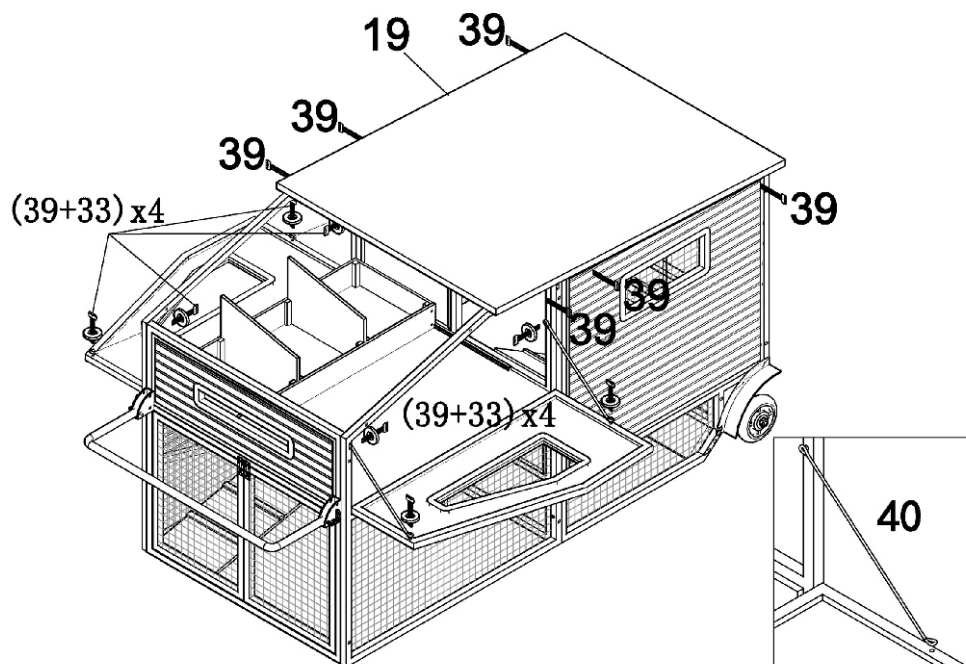
## Step 17

- Connecting the coop pushing rod (#17) into the nesting area front panel and fix the Coop Pushing Rod Latch(#38) with Bolt&Nut M8x55mm (#25).



## Step 18

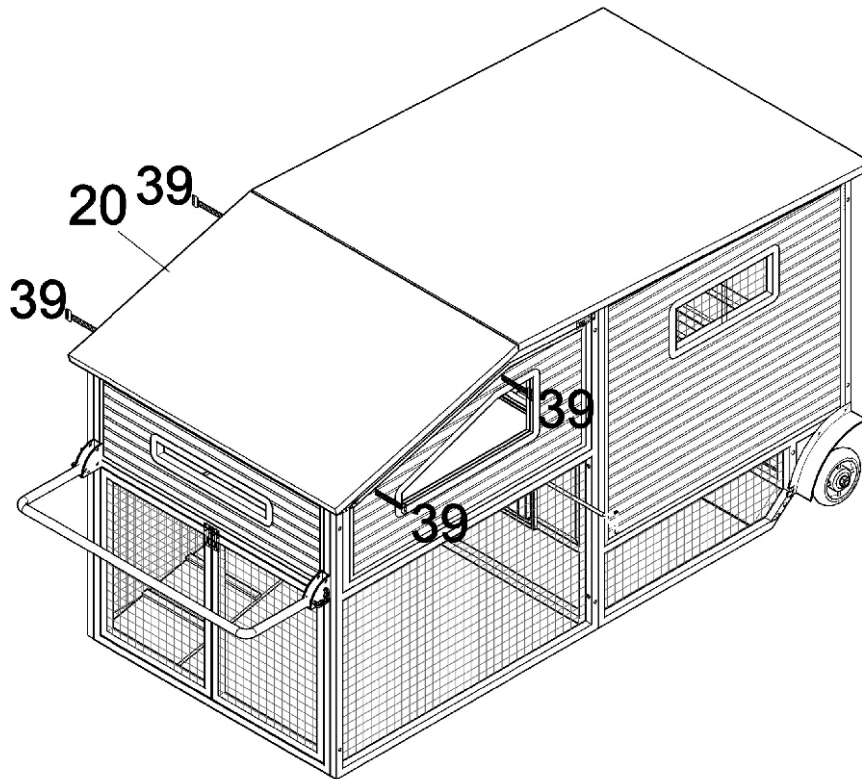
- Fix four Hanging Rope(#40) with the hanging rope gasket (#33) and bolt M6x15mm (#39).
- Fix the roosting area roof(#19) with bolt M6x15mm (#39).



## ASSEMBLY

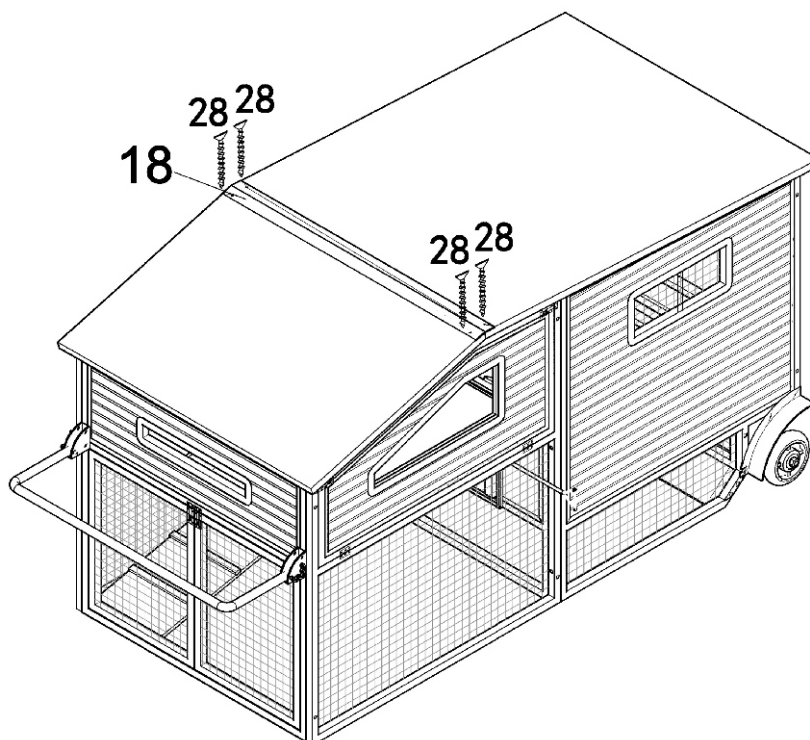
### Step 19

- Fix the nesting area roof (#20) with bolt M6x15mm (#39).



### Step 20

- Fix the roof cap(#18) with self-tapping screw M3.5x16mm (#28).



- The coop now is fully assembled and ready to use.