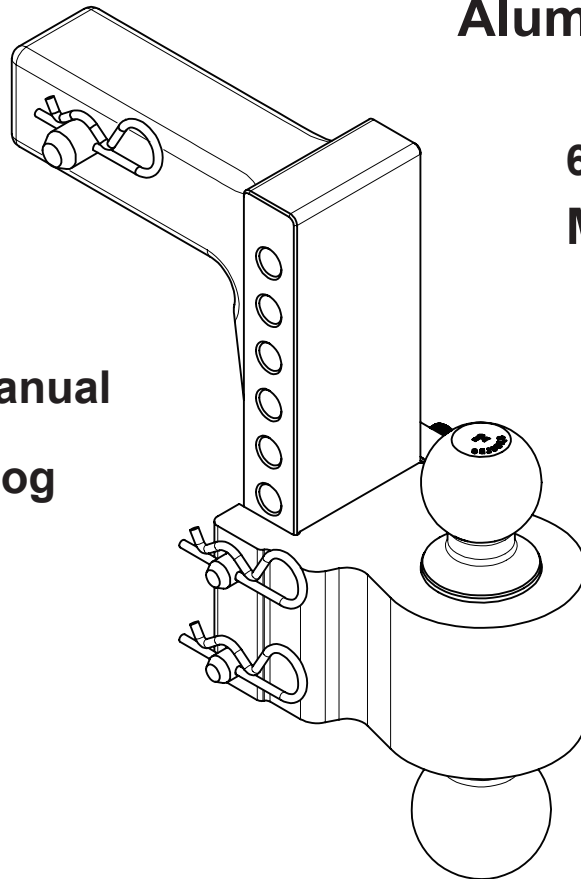




Aluminum Adjustable Ball Mount

**6" Drop; 7" Rise
Model 110108**



**Instruction Manual
&
Parts Catalog**



**Read and understand this entire manual before assembling,
installing, operating, or servicing this product.**

SAVE THIS MANUAL

Copyright© 2023 by AVITEC. All rights reserved. No portion of this manual or any artwork contained herein may be reproduced in any shape or form without the express written consent of AVITEC. Due to continuing improvements, actual product may differ slightly from the product described herein. Tools required for assembly and maintenance may not be included.

IMPORTANT SAFETY INFORMATION

This is a **SAFETY ALERT** symbol.



It is used to alert you to potential personal injury hazards. Obey all safety messages that follow this symbol to avoid possible injury or death.

DANGER indicates a hazardous situation which, if not avoided, will result in death or serious injury.

WARNING indicates a hazardous situation which, if not avoided, could result in death or serious injury.

CAUTION indicates a hazardous situation which, if not avoided, could result in minor or moderate injury.

NOTICE indicates important information which, if not followed, may cause damage to equipment.

SAVE THIS MANUAL

Keep this manual for the safety warnings and precautions. The manual offers important information on how to assemble, use and maintain this product.

Write the product's model number and purchase date on the cover page of this manual.

Keep this manual (and your purchase receipt) in a safe place.

UNPACKING

The shipment should be thoroughly inspected as soon as it is received. The signed "bill of lading" is acknowledgement by the carrier of receipt in good condition or shipment covered by our invoice. For your own protection, if any of the goods called for on the bill of lading are shorted or damaged, do not accept them until the carrier makes a notation on the freight bill of the shorted or damaged goods.

Notify AVITEC immediately if any hidden loss or damage is discovered after receipt.

Definition of Symbols



WARNING concerning Risk of Eye Injury. Wear ANSI approved eye protection.



WARNING concerning Risk of Hearing Loss. Wear hearing protection.



IMPORTANT SAFETY INSTRUCTIONS



1. **Read and understand all safety warnings and instructions.** Failure to follow the warnings and instructions may result in serious injury or death. Save all warnings and instructions for future reference.

2. Personal and Work Area Safety



A. **Always wear ANSI approved safety goggles.**



B. **Always wear hearing protection when working in noisy environments.** Prolonged exposure to high intensity noise can cause hearing loss.



C. **Use safety equipment.** Safety shoes, hard hat and work gloves must be used for applicable conditions.

D. **Dress appropriately.** Never wear loose fitting clothing or jewelry when working. Contain long hair, and keep hair, clothing and gloves away from moving parts.

E. **Use common sense when working.** Stay alert and concentrate when assembling and using the Aluminum Adjustable Ball Mount. Never work while under the influence of alcohol, drugs or medications.

Personal and Work Area Safety (continued)

F. While assembling and using the Aluminum Adjustable Ball Mount keep work area clean and well lighted. Keep spectators and children out of the work area.

3. Use of this Aluminum Adjustable Ball Mount

A. **WARNING** Do not exceed the Aluminum Adjustable Ball Mount's maximum weight ratings (see Specification chart on page 5).

B. Always make sure that the trailer is chocked properly when attaching the Aluminum Adjustable Ball Mount. Take safety precautions to prevent unsafe movement of the trailer as it is being attached to the towing vehicle.

C. **Make sure that the trailer tongue is securely connected to the ball mount. The vehicle's hitch coupler must be properly secured to the Receiver Tube of the Aluminum Adjustable Ball Mount. After set-up and attachment is complete, pull firmly on the hitch coupler to make sure that the ball mount properly fits in the hitch coupler; there should be no play between the ball and the hitch coupler**

WARNING If the hitch coupler is not adjusted properly the ball mount could loosen while the vehicle/trailer are on the road, resulting in serious property damage, personal injury or death.

Safety chains between the towing vehicle and the trailer are always required.

D. Assemble this Ball Mount so that the trailer will be level when hitched to the towing vehicle. **Note: See page 4, paragraph #1 for information on how to determine proper height of ball mount to insure a level trailer.**

E. Always keep arms, feet and legs away from under the trailer when setting up the Aluminum Adjustable Ball Mount, and when hitching, unhitching or moving the trailer. Keep spectators away when setting up and using this product.

F. **Be aware of the danger of "dynamic loading"**. This situation arises when a load is dropped onto Aluminum Adjustable Ball Mount/trailer tongue, resulting in a short term excessive load. Dynamic loading can result in damage and failure of the Aluminum Adjustable Ball Mount and/or trailer tongue, and personal injury to people nearby.

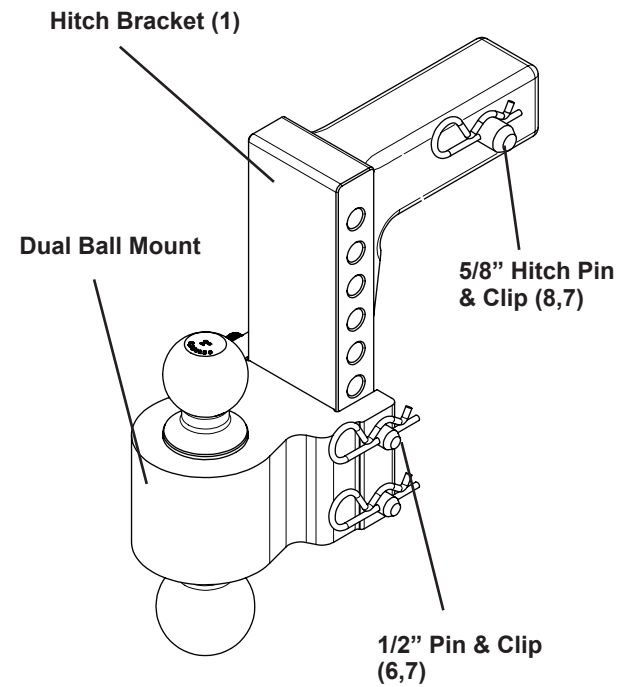
G. **Before each use, check the Aluminum Adjustable Ball Mount, trailer tongue and receiver hitch to make sure all hardware is tightly secured.** Check for damaged or worn parts; never use the Aluminum Adjustable Ball Mount if it is damaged.

Keep in mind that the warnings previously discussed cannot cover all possible events and circumstances. It is important that the person setting up and using this product use common sense at all times.

AVITEC is not responsible for the attachment or the installation of this product. The attachment of this product is critical and beyond the control of AVITEC. It neither guarantees, nor will it be liable for any damage resulting from the Aluminum Adjustable Ball Mount's attachment or improper use.

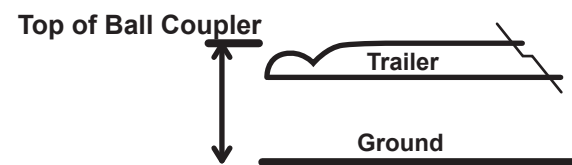
Limited Warranty. AVITEC warrants to the original retail purchaser that the product is free of defects in material and workmanship at the time of shipment. This Aluminum Adjustable Ball Mount is warranted for 90 days from the date of purchase. This warranty is expressly in lieu of all other warranties, express or implied. Proof of purchase is required for warranty transactions; a copy of the original invoice or sales receipt is required.

Assembling and Setting Up the Aluminum Adjustable Ball Mount



1. Refer to photos above and to the Assembly Diagram at end of this manual.
Note: The height of the ball from the ground surface must be determined before the Aluminum Adjustable Ball Mount can be assembled correctly.

A. First make sure trailer is parallel to ground surface. To determine ball height, measure the trailer from ground surface to the top of the ball coupler.



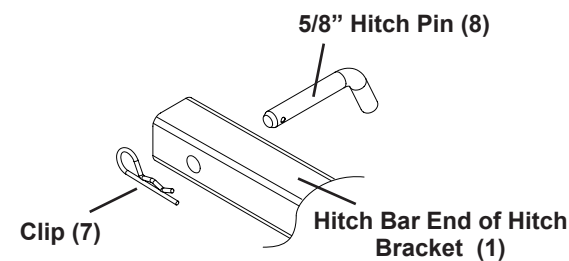
B. To this measurement, add 1/8" for each 100 lbs. tongue weight* (for tow vehicles without overloads). For vehicles with overloads, or trucks, add 1/16" for each 100 lbs. tongue weight; this will compensate for vehicle "squat".

*Tongue Weight refers to the amount of the trailer's weight that presses down on the trailer hitch.

C. **Note this ball height;** it will be used when adjusting the position of the Dual Ball Mount (combined with Dual Ball (3) and Sleeve (2) to the Hitch Bracket (1) in assembly step #4 below.

2. Insert Hitch Bar End of Hitch Bracket (1) into vehicle's 2"x 2" receiver hitch. Tube can be inserted in the upward or downward position for the rise/drop required.

3. **Use the 5/8" Hitch Pin (8) and Clip (7) to secure the Hitch Bracket (1) to the tow vehicle's receiver hitch - see illustration below.**



4. Position Dual Ball Mount with the desired ball size on top, and prepare to attach to the vertical portion of the Hitch Bracket (1).

Use the ball height calculation and adjust up or down the position of the Dual Ball Mount to achieve the desired ball height.

Attach the Dual Ball Mount to the vertical portion of Hitch Bracket (1) by using two 1/2" Pins (6) and two Clips (7).

5. Periodically check that the 1/2" Pins (6) are both fully inserted with Clips (7) fully engaged.

Check to make sure that the 5/8" Hitch Pin (8) and Clip (7) are properly securing the Hitch Bracket (1) to the tow vehicle's receiver hitch.

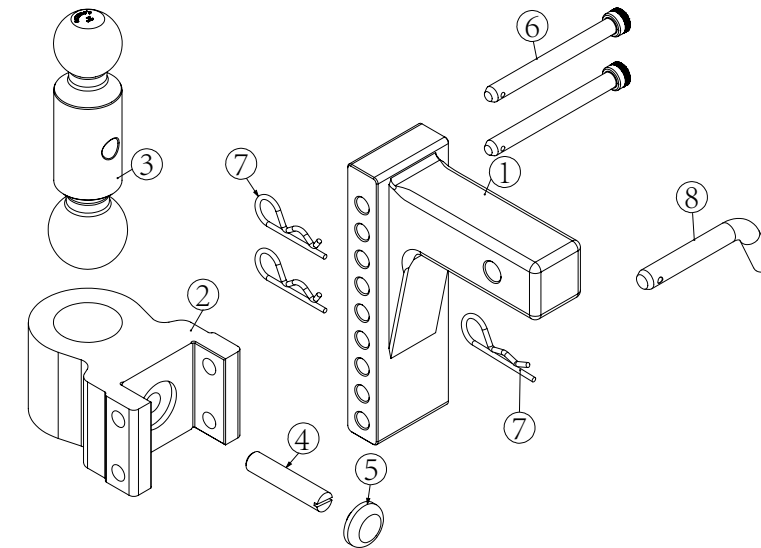
⚠️ WARNIN 6. Read and adhere to all safety warnings and instructions provided by the manufacturer of the receiver hitch and trailer.

SPECIFICATIONS

Receiver Dimensions	2" x 2"
Hitch Ball Size	Maximum Weight Ratings
2-5/16"	10,000 Lb. Trailer Weight/ 1,000 Lb. Tongue Wt.*
2"	8,000 Lb. Trailer Weight/ 800 Lb. Tongue Wt.
Adjustable Height Range	From 6" Drop to 7" Rise
For Use With	2" x 2" Class III and IV Receiver Hitches

*Tongue Weight refers to the amount of the trailer's weight that presses down on the trailer hitch.

Assembly Diagram & Parts List



Part#	Description	Qty.
1	Hitch Bracket	1
2	Sleeve for Ball	1
3	Dual Ball	1
4	Screw 5/8"	1
5	Rubber Bumper	1
6	1/2" Pin	2
7	Clip	3
8	5/8" Hitch Pin	1

Note: Some parts are listed and shown for illustration purposes only; no replacement parts are available.

Manufactured for and distributed by: Avitec Towing and Garage Equipment
 Camarillo, CA 93012, U.S.A
 www.avitecusa.com
 Customer service hours 9:00 am-4:00 pm, Monday-Friday, PST.,
 1-805-385-9888