



Rolling Cabinet Stool with Drawers Model 110101 Instruction Manual and Parts Catalog



Read and understand this entire manual before assembling, installing, operating, or servicing this product.

SAVE THIS MANUAL

Copyright© 2023 by AVITEC. All rights reserved. No portion of this manual or any artwork contained herein may be reproduced in any shape or form without the express written consent of AVITEC. Due to continuing improvements, actual product may differ slightly from the product described herein. Tools required for assembly and maintenance may not be included.

Specifications

Overall Dimensions	26-1/2" W x 14-1/8" D x 16" H
Max. Drawer Capacity	22 Lb. each
Side Tool Tray Max. Weight Capacity	11 lb.
Max. Weight Capacity	350 lb.

Important Safety Information

Assembly Precautions

1. Assemble only according to these instructions. Improper assembly can create hazards.
2. Wear ANSI-approved safety goggles and heavy-duty work gloves during assembly.
3. Keep assembly area clean and well lit.
4. Keep bystanders out of the area during assembly.
5. Do not assemble when tired or when under the influence of alcohol, drugs or medication.
6. Weight capacity and other product capabilities apply to properly and completely assembled product only.

Use Precautions

1. This product is not a toy. Do not allow children to play with or near this item.
2. Use as intended only.
3. Inspect before every use; do not use if parts are loose or damaged.
4. Do not exceed weight capacity of 350 lb.
Be aware of dynamic loading!
Sudden load movement may briefly create excess load causing product failure.
5. Maintain product labels and nameplates. These carry important safety information.
6. Store idle equipment. When not in use, this product must be stored in a dry location to inhibit rust.
7. Replacement parts and accessories. When servicing, use only identical replacement parts.
8. The warnings, cautions, and instructions discussed in this instruction manual cannot cover all possible conditions and situations that may occur. It must be understood by the operator that common sense and caution are factors which cannot be built into this product, but must be supplied by the operator.
9. Do not stand on Stool Pan (1) or Plastic Trays (3).

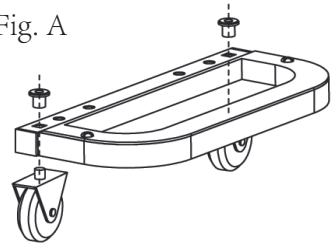
Assembly Instructions



Read the **ENTIRE IMPORTANT SAFETY INFORMATION** section at the beginning of this document including all text under subheadings therein before set up or use of this product.

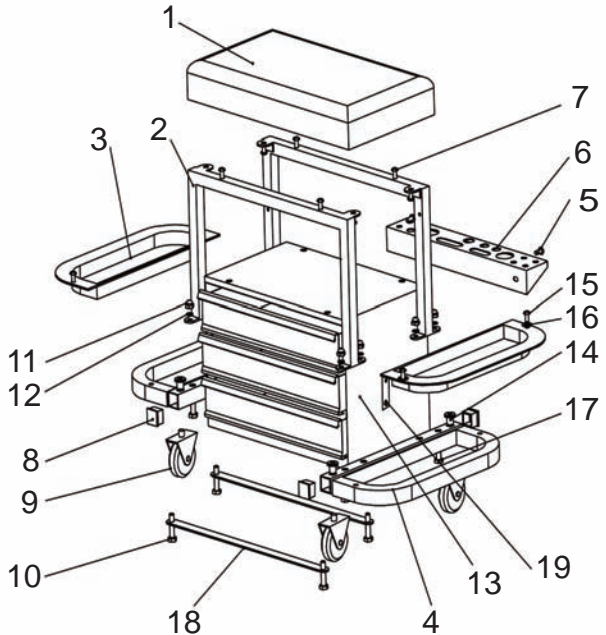
1. Assemble 4 Casters (9), through the holes on the Side tray frames (4) using Sleeve nuts (14). See Fig. A
2. Attach the Tool holder shelf (6) to the hole on the back side of the body (13) using Bolts (5).
3. Tighten all hardware before using.

Fig. A



Parts List and Diagram

PARTS LISTING		
No.	Description	Qty.
1	Stool Pad	1
2	Body Frame	2
3	Plastic Tray	2
4	Side tray frame	2
5	Bolt M6x10	2
6	Tool Holder Shelf	1
7	Bolt M6x30	8
8	Plastic Tube Cap	4
9	2.5" PVC Caster	4
10	Bolt M8x40	4
11	Nut M8	8
12	Washer 8	8
13	Body with 3 Drawers	1
14	Sleeve Nut	4
15	Bolt M8x16	4
16	Washer 8	4
17	Bolt M8x35	4
18	Support Bar	2
19	Buckle	2



PLEASE READ THE FOLLOWING CAREFULLY

THE MANUFACTURER AND/OR DISTRIBUTOR HAS PROVIDED THE PARTS LIST AND ASSEMBLY DIAGRAM IN THIS DOCUMENT AS A REFERENCE TOOL ONLY. NEITHER THE MANUFACTURER OR DISTRIBUTOR MAKES ANY REPRESENTATION OR WARRANTY OF ANY KIND TO THE BUYER THAT HE OR SHE IS QUALIFIED TO MAKE ANY REPAIRS TO THE PRODUCT, OR THAT HE OR SHE IS QUALIFIED TO REPLACE ANY PARTS OF THE PRODUCT. IN FACT, THE MANUFACTURER AND/OR DISTRIBUTOR EXPRESSLY STATES THAT ALL REPAIRS AND PARTS REPLACEMENTS SHOULD BE UNDERTAKEN BY CERTIFIED AND LICENSED TECHNICIANS, AND NOT BY THE BUYER. THE BUYER ASSUMES ALL RISK AND LIABILITY ARISING OUT OF HIS OR HER REPAIRS TO THE ORIGINAL PRODUCT OR REPLACEMENT PARTS THERETO, OR ARISING OUT OF HIS OR HER INSTALLATION OF REPLACEMENT PARTS THERETO.

Manufactured for and distributed by:

Avitec Towing and Garage Equipment

Camarillo, CA 93012, U.S.A

www.avitecusa.com

Customer service hours 9:00 am-4:00 pm, Monday-Friday, PST., 1-805-385-9888