

# Installation/Operation/Instructions

## Dump Inserts

**5531001** - 8ft. steel dump insert

**5531006** - 6ft. steel dump insert

**5534001** - 8ft. stainless steel dump insert

**5534006** - 6ft. stainless steel dump insert

**5532000** - 8ft. polymer dump insert



5531001  
5531006

5534001  
5534006

5532000

### **WARNING**

- Do not load over 6,000 lbs.
  - Vehicle, dump insert, and cargo must not exceed manufacturer's gross vehicle weight rating.
  - Dump unit must be secured with safety prop before servicing.
  - Do not place any part of your body under dump unit without safety prop being secured.
  - Do not use safety prop or attempt to block dump body when it is not empty.
  - Make sure that everyone is clear of the unit before raising the dump body.
  - Tailgate must be properly locked at all times.
  - Do not raise the dump body with the tailgate open and hanging from the lower latch pins.
  - During operation of dump insert, keep all body parts clear of mechanical operating devices, structural supports, and fastening systems.
  - Do not operate the dump body on uneven road or surface.
  - Do not move your vehicle with the dump body in the raised position.
  - Do not store or leave the dump body unattended in the raised position.
  - Do not store the hand control box in a location in which it can be unintentionally activated.
  - Do not allow the hand control box to come into contact with liquids.
- FAILURE TO ADHERE TO THE MANUFACTURER'S PUBLISHED WARNINGS  
COULD RESULT IN LOSS OF CONTROL, SEVERE PERSONAL INJURY OR DEATH.

### **WARNING**

On some vehicles, the lower latch pin handles may contact the bumper of the vehicle when the dump body is raised. Care must be taken to avoid damage to the vehicle and/or DumperDogg®. To prevent damage, always rotate the latch pin handles so that they point upwards and away from the bumper before raising the dump body.

### **WARNING**

If your vehicle is equipped with a trailer hitch, the dump body could come into contact with it when the dump body is raised. Care must be taken to avoid damage to the vehicle and/or DumperDogg®. If the hitch is in the path of the dump body, do not raise the dump body to a point where it may come into contact with the hitch.

## Installation

These instructions cover installation procedures for the 5532000 (polymer), 5531001/5531006 (steel) & 5534001/5534006 (stainless steel) dump inserts.

1. Upon receiving your dump body, make sure that all components and hardware have been shipped and that unit is not damaged. See packing list for complete breakdown of component parts.
2. Before beginning installation, make sure that the vehicle is on flat, level ground and that vehicle brakes are applied. Use wheel chocks for safety.
3. Remove tailgate from your vehicle.
4. Check fluid level of pump unit. The reservoir should be filled to approximately 1/2 inch from the top. Do not over fill. Use only SAM® or Dextron brand hydraulic fluid.
5. Connect battery cables to pump unit as shown in fig.4. Do not connect cables to vehicle at this time.

### **WARNING**

The DumperDogg® must not be installed to only the sheet metal of the bed. If no frame or structural member is present at the attachment point then reinforcing, steel backer plates must be used. Failure to do so may cause damage to the truck and will void the DumperDogg® warranty.

6. Establish the proper fastening locations illustrated in figure 1 (pg. 3). On 8-foot truck beds, a cross member is located approximately 78"-80" from the rear of the truck bed. It is easier to locate this cross member from the underside of the truck. On most trucks, there is already a hole provided in the center of this cross member.

### **WARNING**

Do not drill holes in to fuel tanks, fuel lines, electrical wiring, etc. that may be damaged by drilling.

7. Drill a 5/8" hole through the existing cross member center hole into truck bed.

**⚠ WARNING**

Do not place any part of your body under dump unit without the safety prop being secured.

8. Place DumperDogg® directly onto bed of truck, ensuring proper clearance is maintained. The rear rail of the DumperDogg® lift frame must lie completely inside the truck bed. Be sure the pump unit cover does not rest against the front bed wall.

9. With the DumperDogg® frame centered in the truck bed, align the center slot in the DumperDogg® frame with the drilled hole. You may need to temporarily supply power to raise dump body in order to install the hardware. If body is raised, use safety prop to secure bed in the up position.

10. Fasten the DumperDogg® to the vehicle using a bolt through the drilled hole and a steel backer plate to reinforce the attachment point. (Backer Plates not included).

For trucks with cross members located differently, use the included hooks as shown in figure 3. Drill holes through the cross members and truck bed. Then align with holes in hooks and install bolts.

**⚠ WARNING**

When using the included Hook(s) to mount the DumperDogg® to the truck, you must make certain that they are properly secured and the DumperDogg® frame is unable to move in any direction. To do this, you must use a fastener in each slot of the Hook(s) and install fasteners at the ends of the slots so that the Hook(s) and/or DumperDogg® cannot move after installation. Periodically verify that all mounting hardware is secured (checking before each use is recommended).

11. Observe the two holes in the lower DumperDogg® frame at the tailgate end (see fig.2). Ensure that there is clearance through the bed of the truck where these holes are located. If there are no wires or other obstructions, use these holes as guides to drill through bed of truck. Secure dump unit to truck using 5/8" bolts. (Hardware must be provided by installer).

**Electrical Installation Instructions**

*NOTE: Always disconnect battery before attempting to install electrical components on your vehicle*

1. Drill 3/4" holes in truck bed and cab to route cables through. Feed cables through drilled holes, being careful not to damage insulation of cable.
2. Seal holes with grommets and/or silicone to protect wires and to prevent water from entering the interior of the vehicle.
3. Mount remote control inside cab. The remote control must be stored inside vehicle when not in use. Contact with water or other liquids will cause failure. Always make sure to keep remote control away from vehicle pedals when driving.
4. Route and attach cables to battery. Make sure cables are secure and away from hot surfaces and clear of any sharp edges. Use zip ties to fasten in place. Do not allow cables hang loosely. When routing through vehicle body or firewall, drill 3/4" holes and use grommets to protect cables and to prevent water from entering the interior of the vehicle.

5. Ensure that cables are clear of DumperDogg® frame so that they are not pinched during operation.

6. Ensure that a good electrical ground is achieved by connecting the negative (-) cable to the ground post on the power unit (see Fig. 4).

**⚠ WARNING**

On some vehicles, the lower latch pin handles may contact the bumper of the vehicle when the dump body is raised. Care must be taken to avoid damage to the vehicle and/or DumperDogg®. To prevent damage, always rotate the latch pin handles so that they point upwards and away from the bumper before raising the dump body.

**⚠ WARNING**

If your vehicle is equipped with a trailer hitch, the dump body could come into contact with it when the dump body is raised. Care must be taken to avoid damage to the vehicle and/or DumperDogg®. If the hitch is in the path of the dump body, do not raise the dump body to a point where it may come into contact with the hitch.

7. The unit is now ready for operation. Perform an additional check on all fasteners and connections at this time. Ensure the hydraulic fluid reservoir is filled before operation of the unit. The reservoir should be filled to approximately 1/2 inch from the top. Use only SAM® or Dextron brand new hydraulic fluid in the unit. The dump body should raise and lower and the unit should be securely attached to the vehicle.

**Maintenance**

**⚠ WARNING**

Never attempt to service the DumperDogg® with the bed in the raised position without first securing it with the safety prop. Do not use the safety prop when the DumperDogg® contains a load.

1. The dump body must be secured with safety prop before servicing.
2. To ensure proper performance and long life of your DumperDogg®, the pivot joints must be greased monthly.
3. Keep power unit clean. Inspect power unit for dirt after each use and clean if necessary.

**Troubleshooting**

Most common failures result from loose connections in the electrical system and or dirt in the hydraulic system.

If the power unit fails to operate:

1. Make sure all hydraulic lines are connected properly and that there are no leaks in system.
2. Inspect all electrical connections and make certain the unit has proper electrical ground. A good ground connection is needed to operate the Power Unit. Ensure that the negative (-) battery cable is connected to the ground post on the power unit motor (see Fig. 4)
3. Check fluid level in reservoir. The reservoir should be filled to approximately 1/2 inch from the top. Use only SAM® or Dextron brand new hydraulic fluid.

Fig. 1

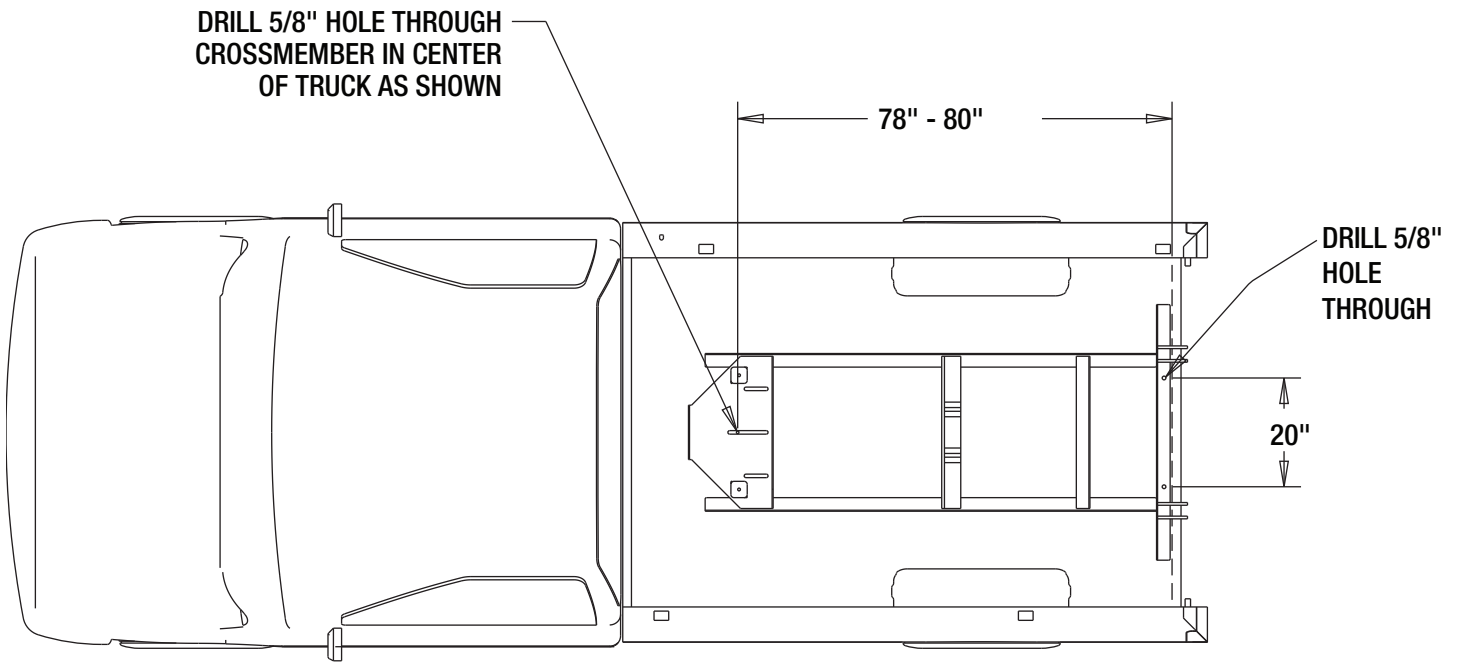


Fig. 2

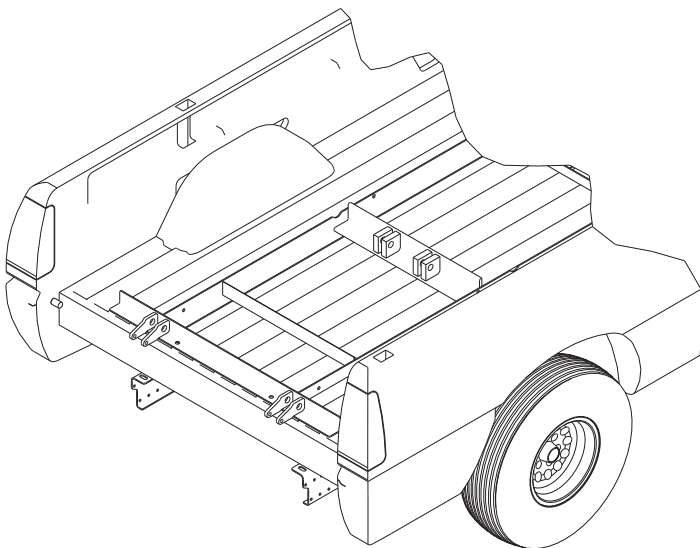


Fig. 3

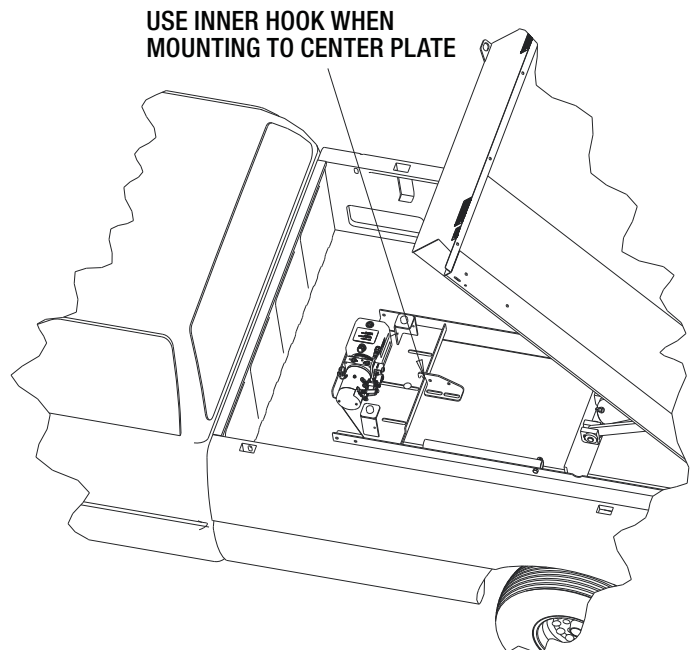
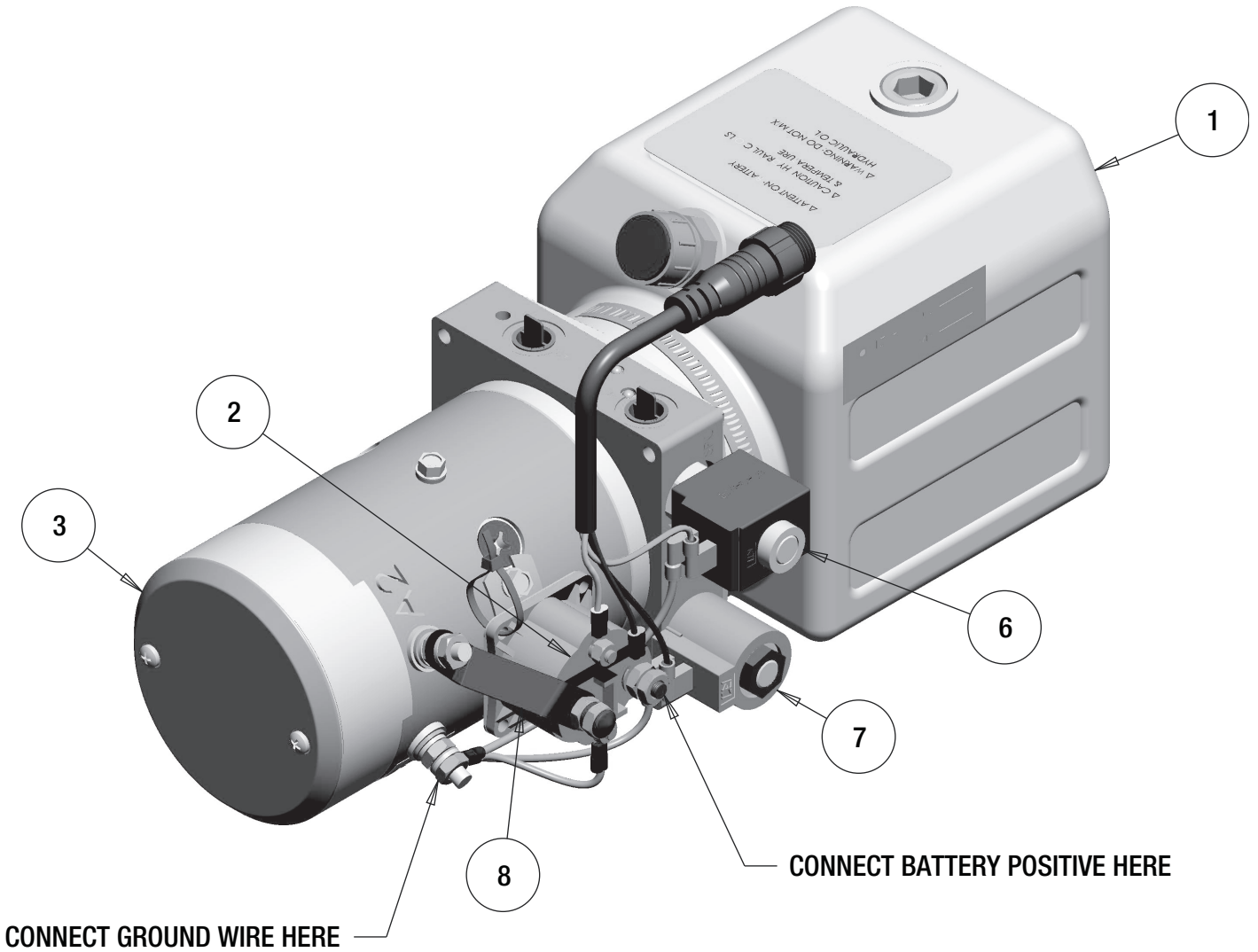
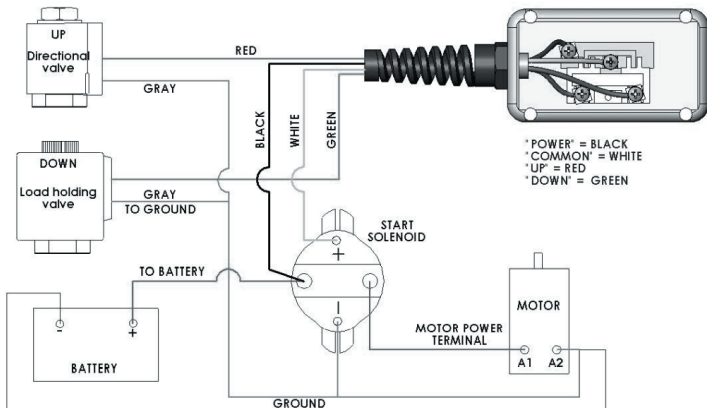


Fig. 4 Wiring and Parts List



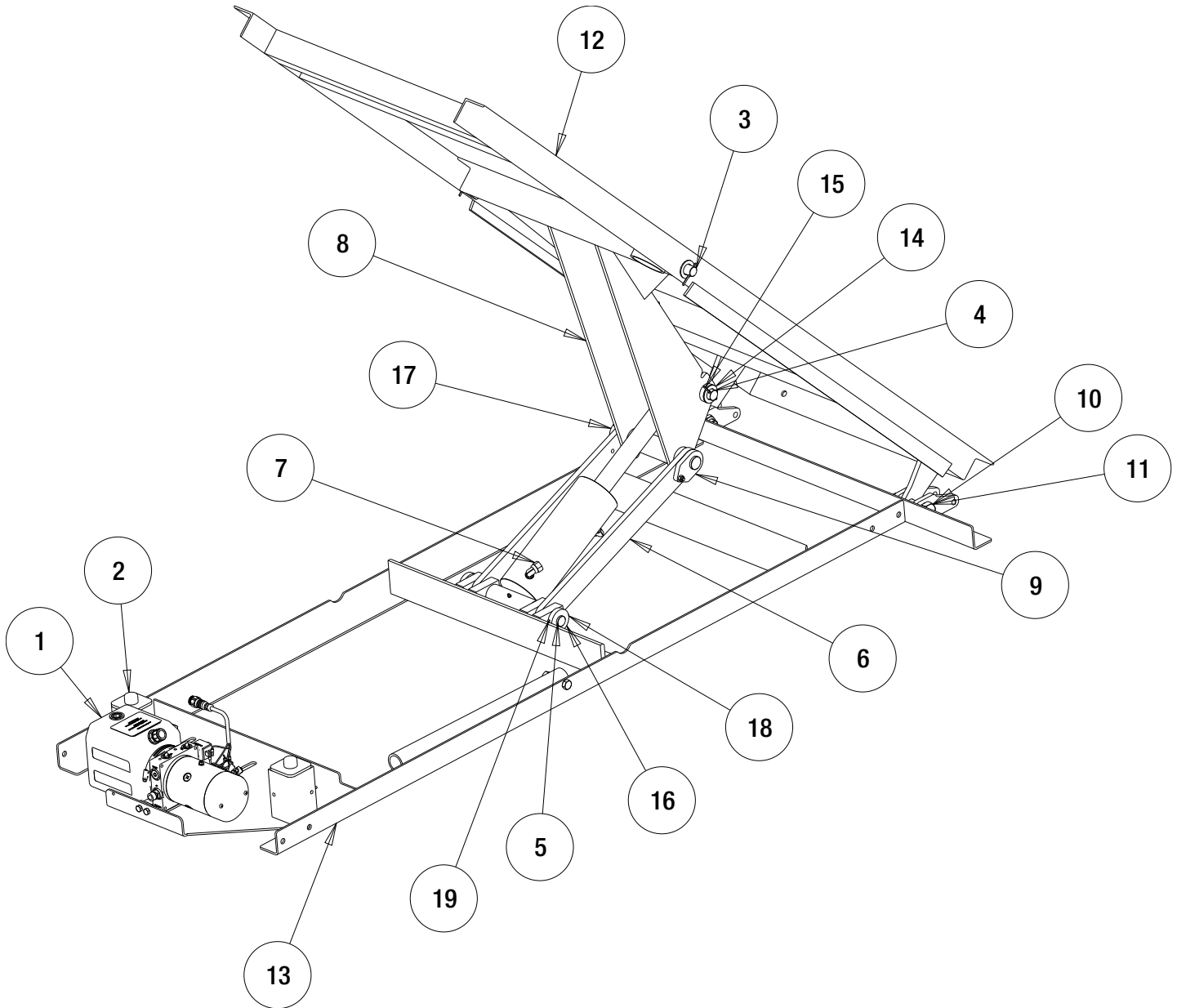
**Wiring Diagram**



**Bill of Materials**

ITEM	PART NO.	DESCRIPTION
1	3043363	RESERVOIR, POLY, 3 QT
2	3043359	SOLENOID, START, HEAVY DUTY
3	3043360	MOTOR, 12VDC, 2 TERMINAL
4	3043366	CARTRIDGE, 4 WAY 2 POSTION, BOTTOM
5	3043367	CARTRIDGE, 2W POC, NC, TOP
6	3043365	COIL, 10 VDC, SQUARE, 2 TERMINAL
7	3043364	COIL, 10 VDC, ROUND, 2 TERMINAL
8	3043368	STRAP, START, 12 VDC
9	3043356	CONTROL BOX, 10" CORD, TWIST LOCK
10	3043357	CORD, EXTENSION, 15' TWIST LOCK
11	3043358	CORD, POWER UNIT SIDE TWIST LOCK
12	3043369	CONTROL BOX ASSEMBLY, COMPLETE
13	3043362	PUMP, ASSEMBLY (INSIDE RESERVOIR, NOT SHOWN)

Fig. 5 Frame Unit Common for Polymer and Steel Units



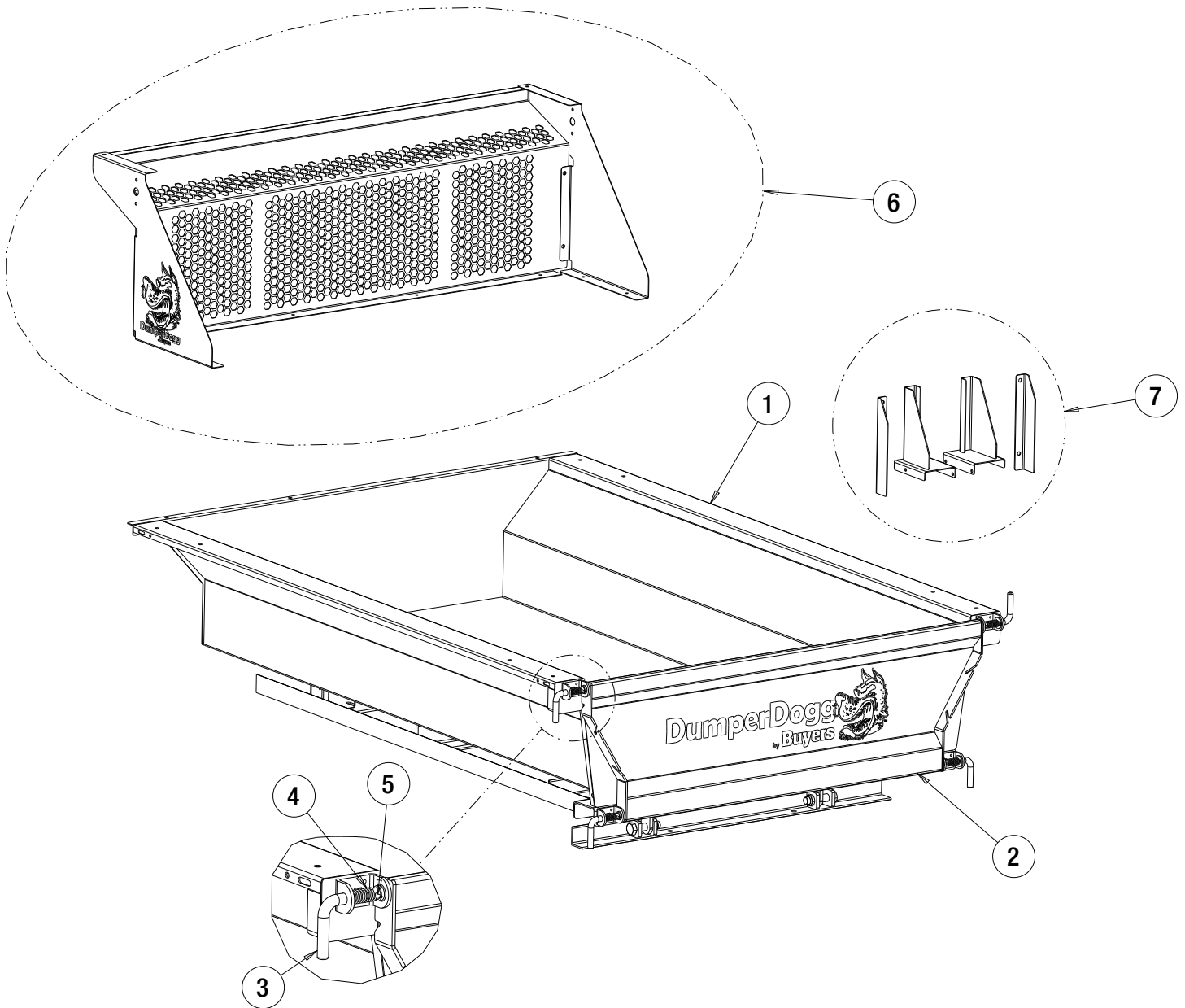
**Bill of Materials**

ITEM	PART NO.	QTY	DESCRIPTION
1	PU642TPA	1	Power Unit
2	3003286	2	Bumper
3	3013967	1	Pivot Rod
4	3048073	2	Pin 8.75"
5	3052305	2	Pin, Lower Cylinder
6	3052335	2	Strap
7	H9515X6X6	2	Elbow, 90° Male to Female NPT SWVL 3/8" X 3/8"
8	3050534	1	Housing, Cylinder
9	3052405	1	Pin, 1-1/4"
10	—	2	Bolt, 1"-14 X 4
11	—	2	Nut, 1"-14

ITEM	PART NO.	QTY	DESCRIPTION
12	3050567 (8ft.)	1	Top Frame
	3052339 (6ft.)	1	Top Frame
13	3050566 (8ft.)	1	Bottom Frame
	3052338 (6ft.)	1	Bottom Frame
14	—	4	Washer, 1" X 1-3/4"
15	—	4	Cotter Pin, 5/32" X 2"
16	3052306	2	Retaining Ring, 1"
17	3051568	1	Retaining Ring, 1-1/4"
18	3007113	3	Clevis Pin, 5/16" x 2-1/2"
19	—	3	Cotter Pin, 1/8" x 1"
-	3014346	1	55" Hyd. Hose
-	3014347	1	72" Hyd. Hose



Parts List - 6ft. & 8ft. Steel & Stainless Steel Insert



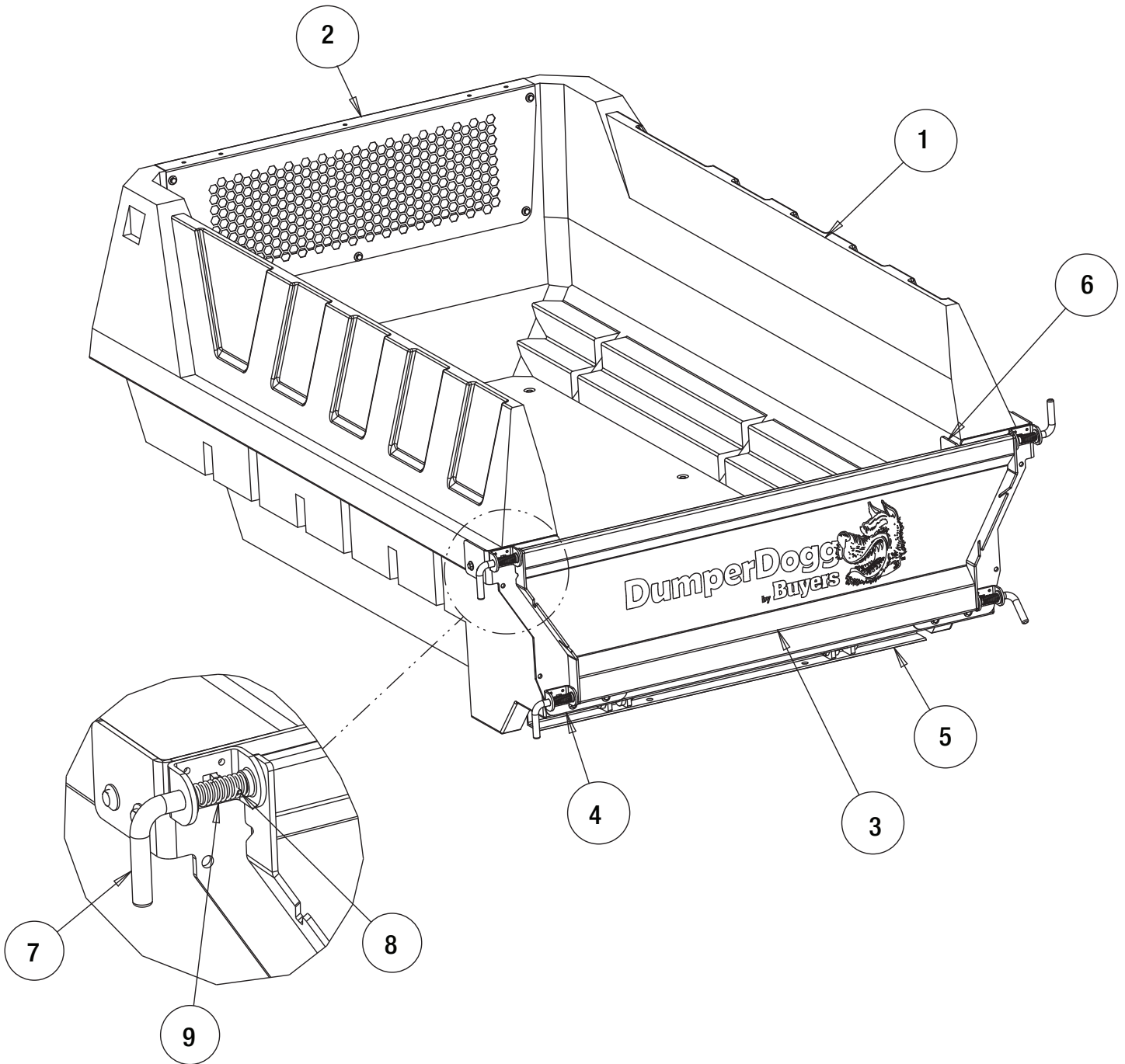
**Bill of Materials**

ITEM	PART NO.	QTY	DESCRIPTION
1	3044599	1	Hopper, Steel, 8ft.
	3046795	1	Hopper, Steel, 6ft.
	3044609	1	Hopper, Stainless Steel, 8ft.
	3046798	1	Hopper, Stainless Steel, 6ft.
2	3021086	1	Tailgate, Steel
	3023202	1	Tailgate, Stainless Steel
3	3000420	4	Pin
	3000420SS	4	Pin, Stainless
4	3000422	4	Spring
	3000422SS	4	Spring, Stainless
5	—	4	Roll Pin, 7/32" X 1-1/2"

**Options**

ITEM	PART NO.	QTY	DESCRIPTION
6	5531010	1	Cab Guard, Steel
	5534010	1	Cab Guard, Stainless Steel
7	5531020	1	Bracket Kit, Side Ext, Steel
	5534020	1	Bracket Kit, Side Ext. Stainless Steel
—	DTR5511	1	Roll Tarp Kit, 5.4ft x 11.5ft. (8ft.)
—	DTR5508	1	Roll Tarp Kit, 5.4ft x 9.5ft. (6ft.)

Parts List - 8ft. Polymer Insert



**Bill of Materials**

ITEM	PART NO.	QTY	DESCRIPTION
1	3013988	1	Hopper
2	3014013	1	Screen
3	3014800	1	Tailgate
4	3014032	1	End Cap
5	3014030	1	Inner Panel
6	3014028	1	Washer Plate
7	3000420	4	Pin
8	-	4	Roll Pin, 7/32" X 1-1/2"
9	3000422	4	Spring

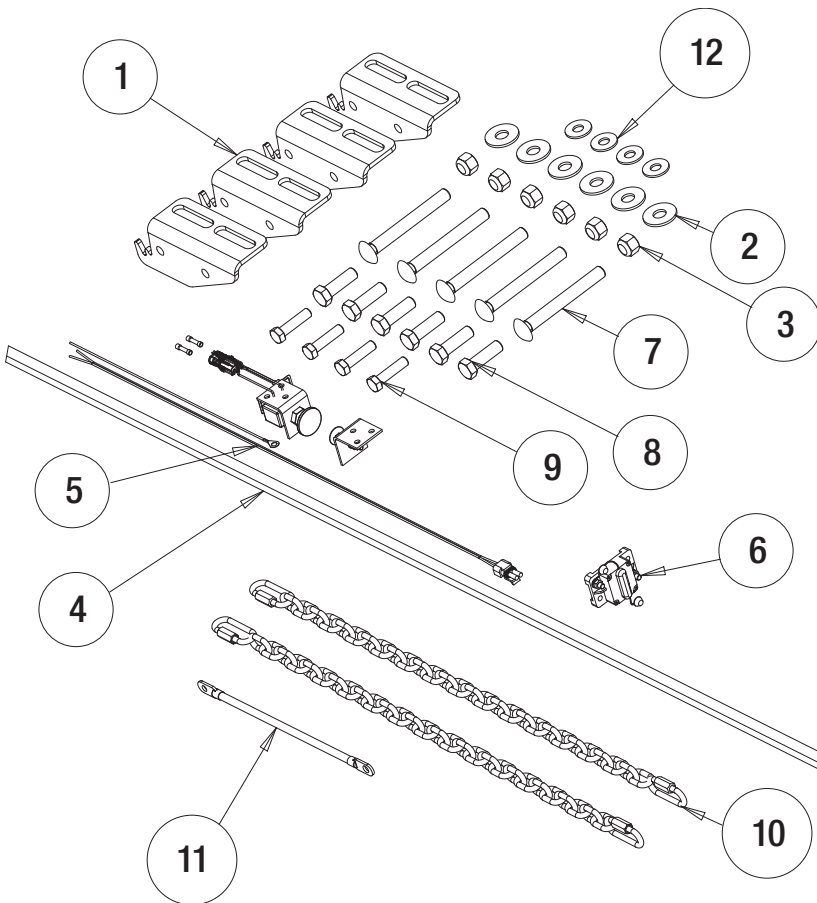
**Options**

ITEM	PART NO.	QTY	DESCRIPTION
-	DTR4510	1	Roll Tarp Kit, 4.6ft x 10ft
-	3014013	1	Window Screen (Poly Only)

3053388 Mounting Kit - Common for Polymer and Steel Units

**Bill of Materials (Kit No. 3053388)**

ITEM	PART NO.	QTY	DESCRIPTION
1	3015469	4	Hook, Dump Body
2	-	6	Washer, FL - 5/8 USS ZN
3	-	6	Nut, Nylock 5/8-11, ZN
4	3014298	1	Wire Assembly, Dump Body
5	SK10	1	Kit, Body Up Switch
6	CB150PB	1	Breaker, 150 AMP
7	-	5	Bolt, Carriage, 5/8-11 x 5.5, GR .5 ZN
8	-	6	Screw, Hex Cap 5/8-11 x 2 GR5 ZN
9	-	4	Screw, Hex HD - 1/2-13 x 2 GR 8 ZC YEL
10	B31648SC	2	Chains
11	3008518	1	Harness, Battery
12	-	4	Washer, Flat, .500 x 1.38 x .14, ZN
-	3000165	1	Label, 1" x 3" Adhesive
-	3014019	2	Chain Guards



**⚠ WARNING**

Extending the sides of the DumperDogg® higher than specified by the DumperDogg® brand Side Extension Kits may cause damage to the unit and void the warranty. The maximum allowable extension is 12".

**WARRANTY INFORMATION**

This warranty replaces all previous warranties and no employee of this company is authorized to extend additional warranties, or agreements, or implications not explicitly covered herein. This warranty is not transferable.

Buyers Products Company warrants all parts of the product be free from defects in material and workmanship for a period of two (2) years from date of purchase. Parts must be properly installed and used under normal conditions. Normal wear is excluded. Any part, which has been altered, including modifications, misuse, exceeding stated capacities, accident, or lack of maintenance will not be considered under this warranty.

The sole responsibility of Buyers Products Company under this warranty is limited to repairing or replacing any part(s), which are returned, prepaid, 30 days after such defect is discovered, and returned part(s) are found to be defective Buyers Products Company.

Prior to submitting a claim, your DumperDogg® must be registered with Buyers Products. You may be required to submit a copy of the original bill of sale, provide any components related to the claim and provide documentation requested (including photos).

Authorization from Buyers Products Company must be obtained before returning any part. The following information must accompany defective parts returned to Buyers Products Company: RMA #, dump insert model, serial number, date installed, and distributor from whom purchased.

Buyers Products Company shall not be liable for damage arising out of failure of any unit to operate properly, or delay in work, or for any consequential damages. No charges for installation/de-installation, paint, fluids, etc. will be allowed under this warranty. No charges for transportation or labor performed on any part will be allowed under this warranty.