

Thank you for your purchase!



Mini Pet Waste Station

ASSEMBLY INSTRUCTIONS

Before You Begin:

Please identify all component parts and hardware pieces required before you begin. Carefully remove all of the components from the packaging and set aside for assembly. Assemble on a soft surface to prevent scratching during assembly.

Caution:

Tighten all components securely before use. Failure to do so may result in personal injury.

DO NOT use any sharp objects to open plastic wrapped components as damage to product or components may result.

Warning:

CHOKING HAZARD - Small Parts. Adult Assembly Required.

DO NOT ALLOW CHILDREN TO CLIMB ON FURNITURE

Serious or fatal injuries can occur from furniture tipping over. You must install Tipping Restraint Hardware (where included) to help prevent the unit from tipping and causing accidental injury, instability, death or damage. The tipping restraint is intended only as a safety measure, it is not a substitute for proper adult supervision.

To help prevent furniture from tipping over it must be permanently attached to the wall. Anti-Tip Safety Wall Straps suitable for the unit weight and wall materials (if not included) should be purchased and installed.

Customer Service Email: CustomerExperience@theubiquegroup.com | Phone: 866-552-2810



Congratulations!

You just purchased a piece of happiness. At Ubique Group, we believe you can transform your spaces into the most inspired places with furnishings that are the perfect combination of form, function and style. As original innovators of online furniture retail, we offer the best selection of popular, contemporary styles at cool, comfortable prices. And, with decades of proven shipping and packaging expertise, our Extended Quality Checklist ensures a rewarding, hassle-free experience time and time again. It's just what you need to bring your vision to life.

Thank you & Enjoy!!
your friends at Ubique Group



LIKE IT!

*Share it on social
& Tell a friend!
#Spaces2Places*



LOVE IT!

*Write an online
product review
where purchased*



NOT SURE?

*Let us help!
Contact our
customer support.*

Have a question, concern or simply need a hand? Your satisfaction is our top priority. Contact us at 866-552-2810 or customerexperience@theubiquegroup.com. We're here to help!

Browse Our Branded Collections

There's something for everyone inside our family of brands.



Visit www.theubiquegroup.com/brands or scan this code.





We pride ourselves on providing an excellent customer experience starting right here with your package and instructions. Everything you need should be right where you need it, so you can get to enjoying your new item ASAP. But despite our best efforts, sometimes "slips happen." If you need any support, from replacement parts to recommendations, please reach out to our wonderful customer support team at 866-552-2810 or customerexperience@theubiquegroup.com. We're here to help!

EVERY UBIQUE GROUP PRODUCT



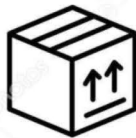
Quality &
Durability Tested



Packaged
with Care



Shipped from
our U.S. Facility



Designed
for Easy
Assembly



Ethically
Sourced

Please visit <https://www.theubiquegroup.com/warranty> for complete warranty information.

Read this manual before using this product. Failure to follow the instructions and safety precautions in this manual can result in serious injury or death. Keep this manual in a safe location for future reference.

Station Sign



Bag Dispenser



Hand Sanitizer Bottle

L-Shaped Bracket



Steel Post Base



Wrench



Allen Wrench



B



A



M10



M10
M10
M10

M8



M8
M8
M8

M5



M5

- Hand sanitizer Bottle (1 pc)
- L-shaped Bracket (1 pc)
- Steel Post Base (1pc)
- Steel Post segment A (1pc)
- Steel Post segment B (1pc)
- Station sign (1pc)
- Bag Dispenser (1pc)
- Screws M5 6mm (2pcs) Nuts M5 (2 pcs)
- Screws M8 50mm (15pcs)
- Flat Washer M8 (15pcs)
- Spring Washer M8 (15pcs)
- Nuts M8 (8pcs)
- Box of Waste Bags (3pcs)
- Bag Dispenser Key (2pcs)
- Allen Wrench (1pc)
- Wrench (1pc)

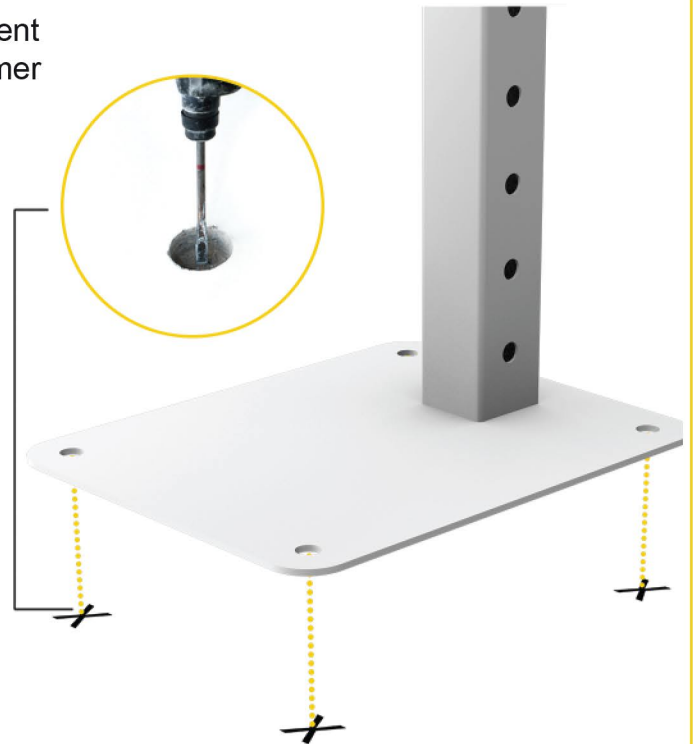
For more stability, it's best to anchor the dog waste station onto a cement pad on the ground using an air hammer and hammer (Not Included).

For Mounting Into Cement:

- Expansion bolt M10 (4pcs)
- Flat Washer M10 (4pcs)
- Spring Washer M10 (4pcs)
- Nuts M10 (4pcs)

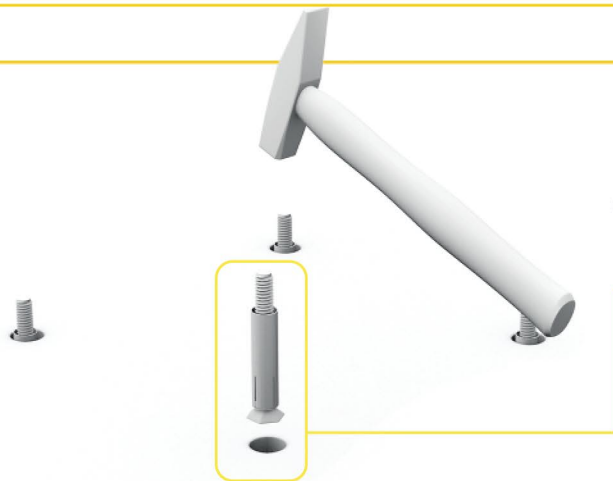
STEP 1

Place the base in the desired location on the cement surface and mark the 4 holes. Using an Air Hammer (Not Included) make the holes in the cement.



STEP 2

Insert the M10 Expansion Bolt into the hole using a Hammer (Not Included).

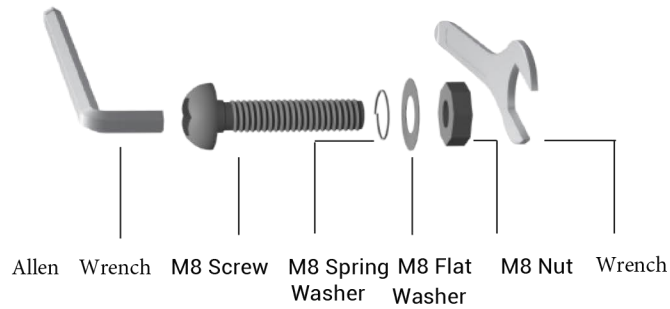
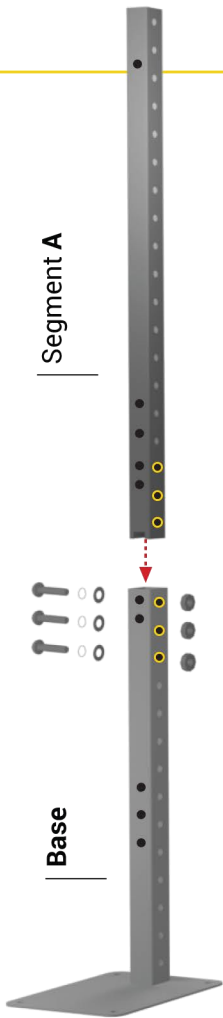


Align the expansion bolts with the holes on the base plate then set base into place.

Add the M10 Flat Washers, M10 Spring Washers and M10 Nuts then tighten using the Wrench.



STEP 3



Take Segment A. It should have 4 bottom holes and 1 top hole on the front side.

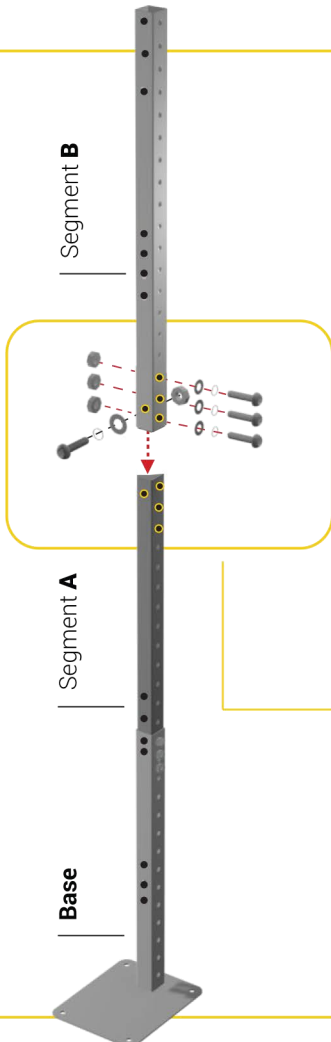
Slide Segment A into the Base.

Align the last 3 side holes on the Base with the first 3 side holes of segment A.

Use 3 M8 screws. Insert one Spring Washer & one Flat Washer M8 on each M8 screw.

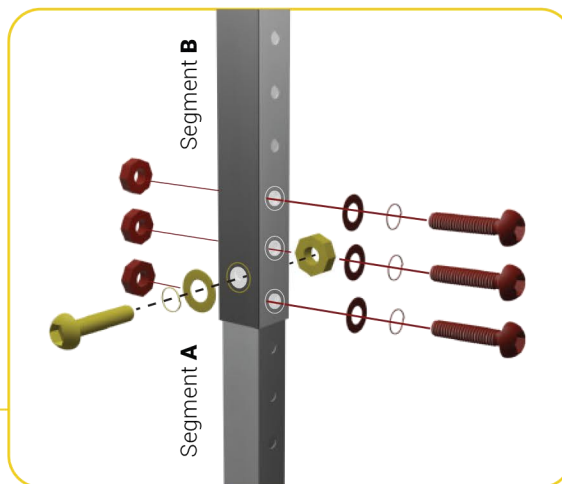
Insert the 3 screws M8 through the side. Tighten screws with Nuts M8 using the Allen Wrench & the Wrench.

STEP 4



Take segment B. It should have 1 hole at the bottom, 4 in the middle and 3 at the top.

Slide in segment B. Align the top hole in segment A with the bottom hole in segment B.



Take 4 x M8 screws and insert one Spring Washer M8 & one Flat Washer M8 on each.

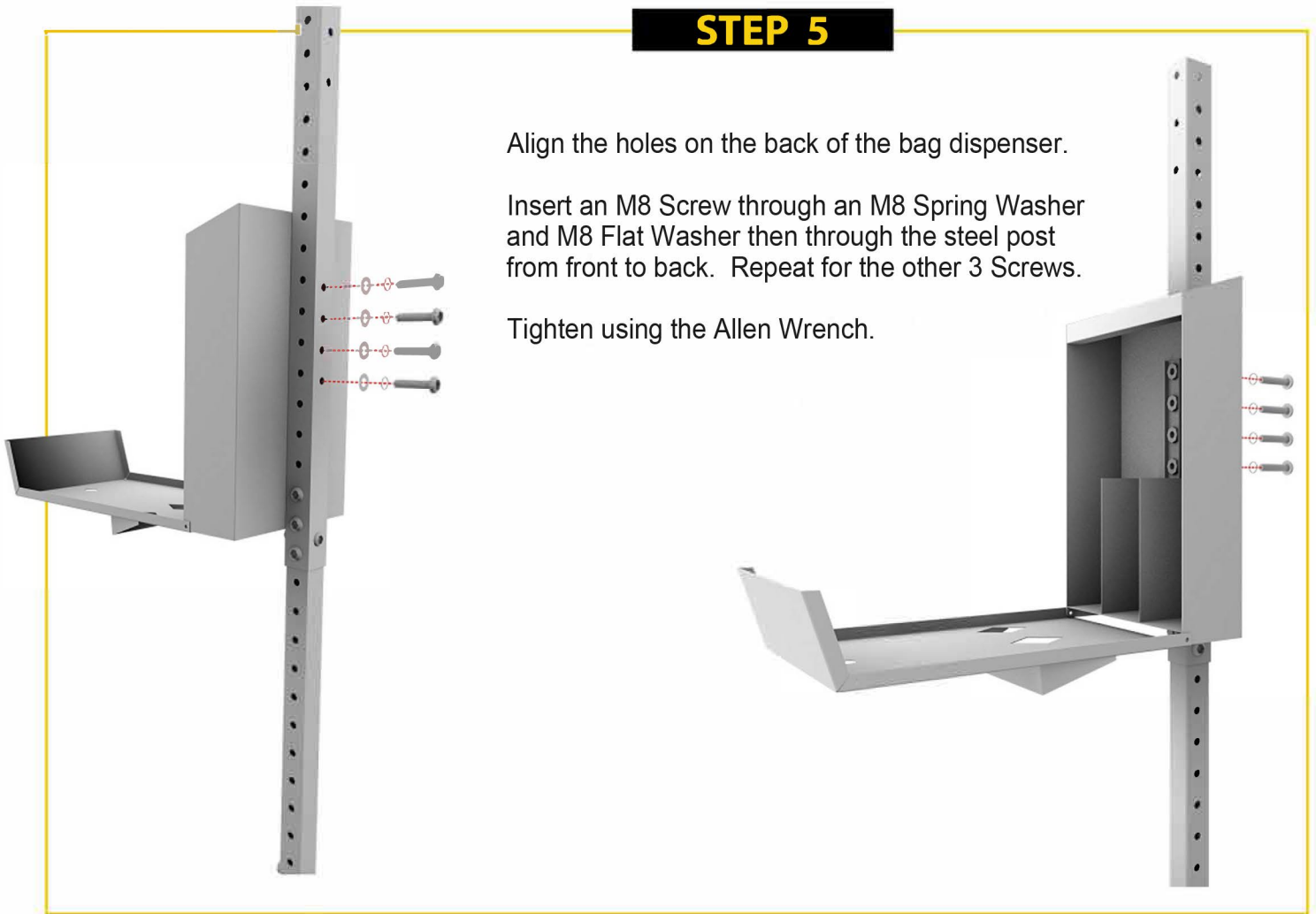
Insert 1 screw M8 from front to back. Insert 3 screws M8 through the side. Tighten screws with Nuts M8 using the Allen Wrench & the Wrench.

STEP 5

Align the holes on the back of the bag dispenser.

Insert an M8 Screw through an M8 Spring Washer and M8 Flat Washer then through the steel post from front to back. Repeat for the other 3 Screws.

Tighten using the Allen Wrench.



STEP 6

On top of the steel post, align the holes on the back of the station sign with the holes on the steel post.

Insert an M8 Screw through an M8 Spring Washer and M8 Flat Washer then into the steel post from back to front. Repeat for other 2 screws.

Tighten using the Allen Wrench .



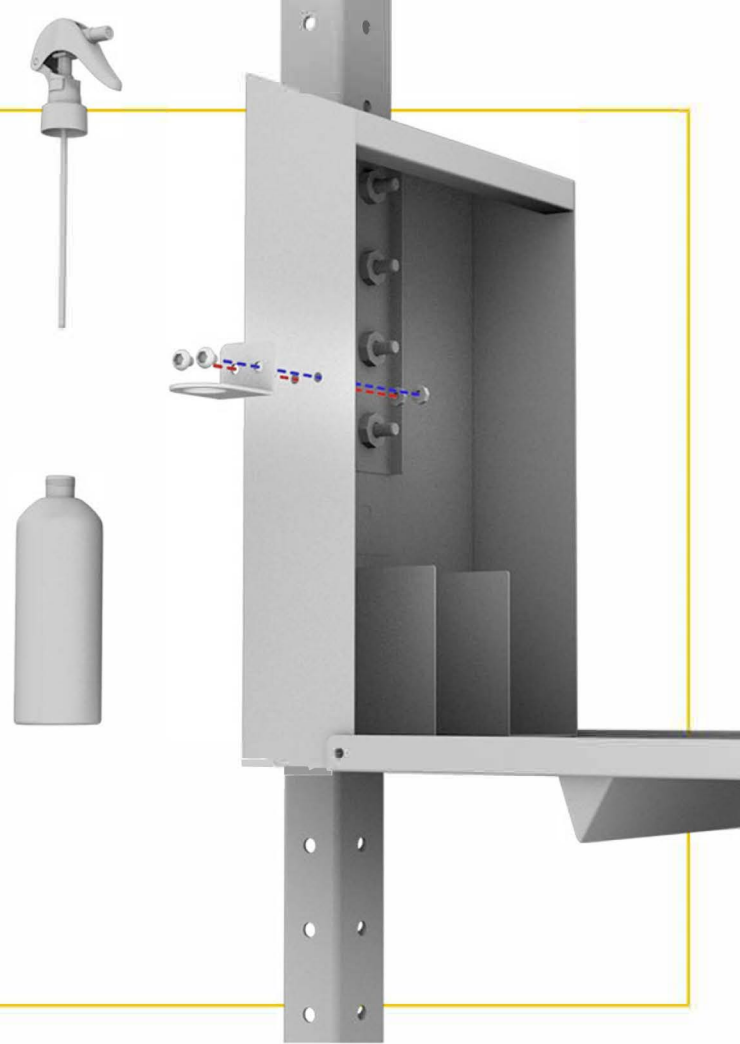
STEP 7

Find and remove the 2 rubber caps on the side of the dispenser.

Align the holes in the the L-Shaped Bracket with the holes in the dispenser.

Insert 2 M5 screws (the smallest ones) through the holes into 2 M5 Lock Nuts like shown in the picture.

Tighten screws using the Allen Wrench and Wrench.

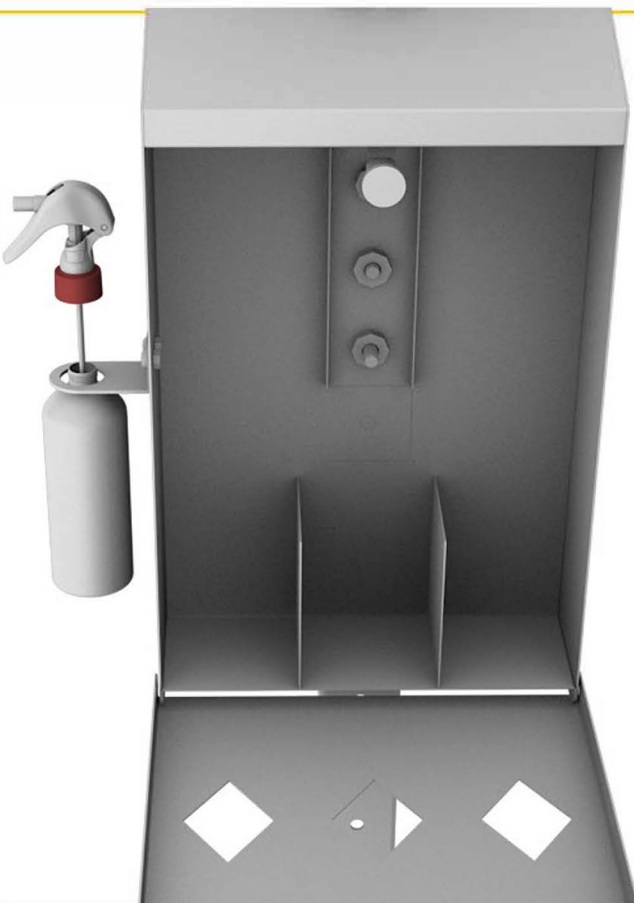


STEP 8

Fill the container with hand sanitizer.

Position the neck of the bottle in the hole.

Screw the bottom of the pump onto the neck of the bottle.



STEP 9

Open the box of dog waste bags at the perforated area.

Place the boxes in the dispenser as shown in the picture then close and lock the dispenser door.

Note: Pull the bags out of the box a little for easy access.

