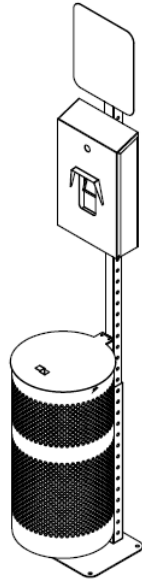


Thank you for your purchase!



Pet Waste Station with Trash Can

ASSEMBLY INSTRUCTIONS

Before You Begin:

Please identify all component parts and hardware pieces required before you begin. Carefully remove all of the components from the packaging and set aside for assembly. Assemble on a soft surface to prevent scratching during assembly.

Caution:

Tighten all components securely before use. Failure to do so may result in personal injury. DO NOT use any sharp objects to open plastic wrapped components as damage to product or components may result.

Warning:

CHOKING HAZARD - Small Parts. Adult Assembly Required.

DO NOT ALLOW CHILDREN TO CLIMB ON FURNITURE

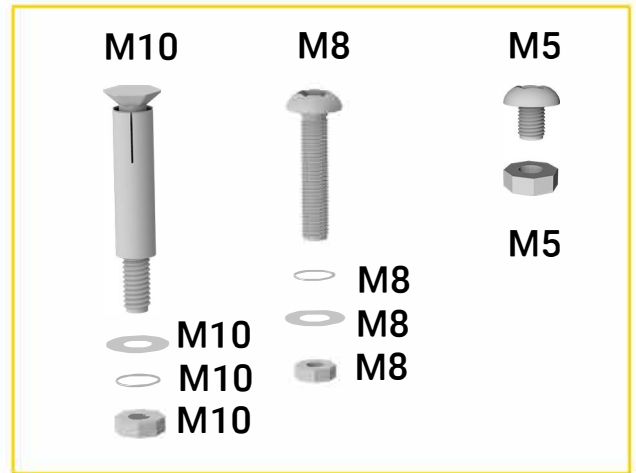
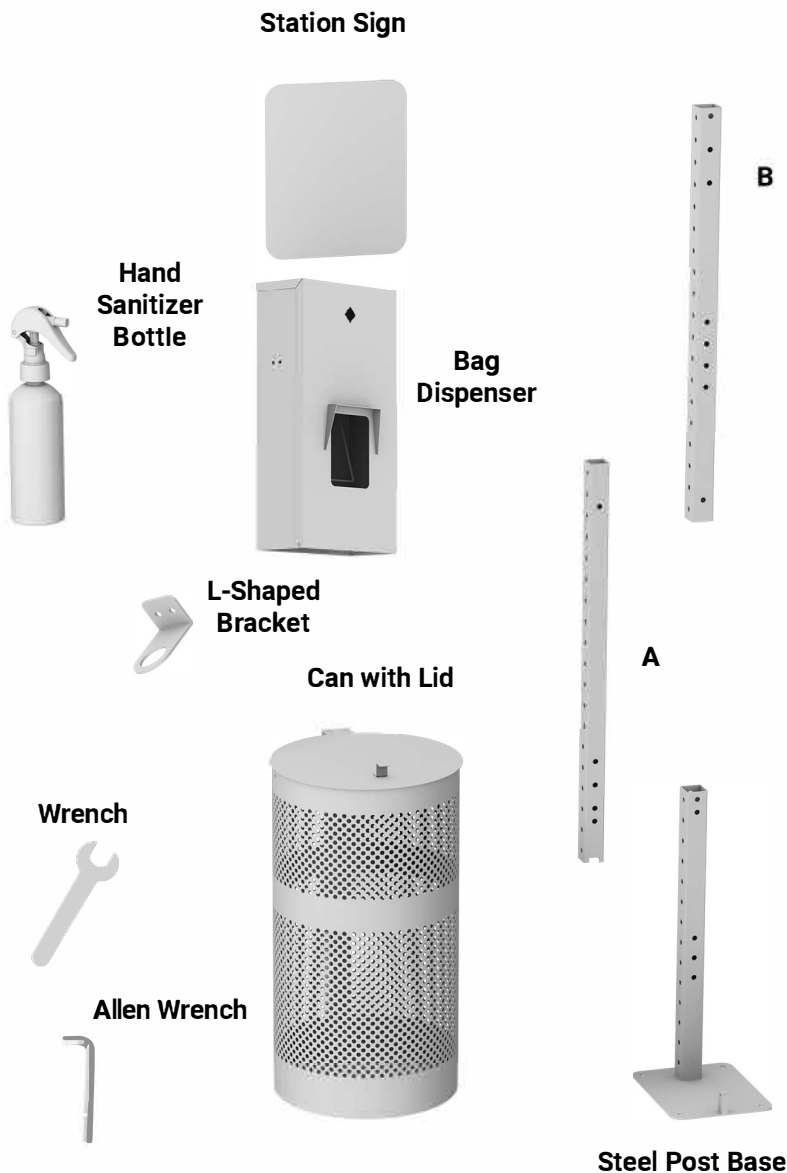
Serious or fatal injuries can occur from furniture tipping over. You must install Tipping Restraint Hardware (where included) to help prevent the unit from tipping and causing accidental injury, instability, death or damage. The tipping restraint is intended only as a safety measure, it is not a substitute for proper adult supervision.

To help prevent furniture from tipping over it must be permanently attached to the wall. Anti-Tip Safety Wall Straps suitable for the unit weight and wall materials (if not included) should be purchased and installed.



Customer Service Email: CustomerExperience@theubiquegroup.com | Phone: 866-552-2810

YAN-NNRE55425-GG



- Hand Sanitizer Bottle(1 pc)
- L-Shaped Bracket(1 pc)
- Steel Post Base(1pc)
- Steel Post Segment A (1pc)
- Steel Post Segment B (1pc)
- Station Sign (1pc)
- Bag Dispenser (1pc)
- Can with lid (1pc)
- Screws M5 6mm (2pcs)
- Nuts M5 (2 pcs)
- Screws M8 50mm (21pcs)
- Flat Washer M8 (21pcs)
- Spring Washer M8 (21pcs)
- Nuts M8 (7pcs)
- Pull Bags (4pcs)
- Box of Can Liners (1pc)
- Bag Dispenser Key (2pcs)
- Allen Wrench (1pc)
- Wrench (1pc)

For more stability, it's best to anchor the dog waste station onto a cement pad. You will need an Air Hammer and Hammer (Not Included).

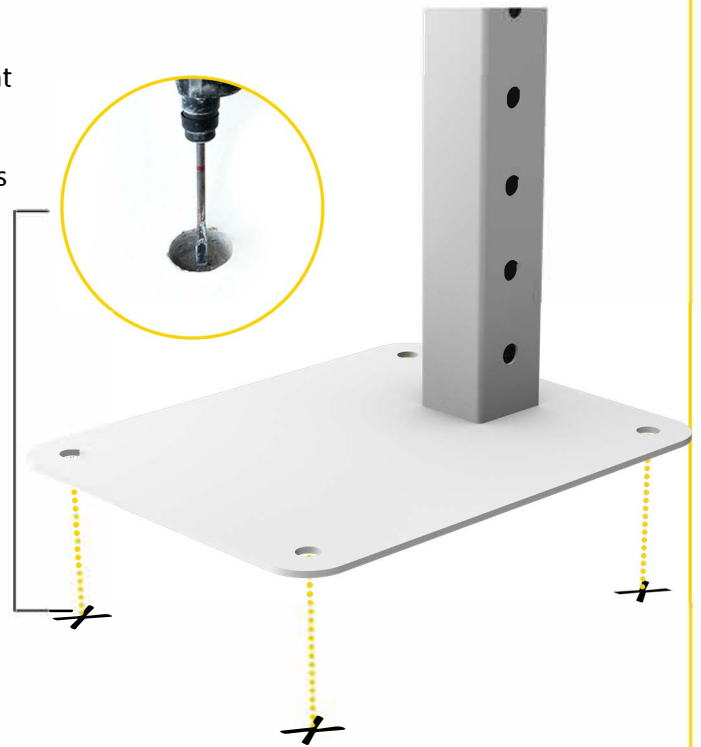
For mounting in the cement:

- Expansion bolt M10 (4pcs)
- Flat Washer M10 (4pcs)
- Spring Washer M10 (4pcs)
- Nuts M10 (4pcs)

STEP 1

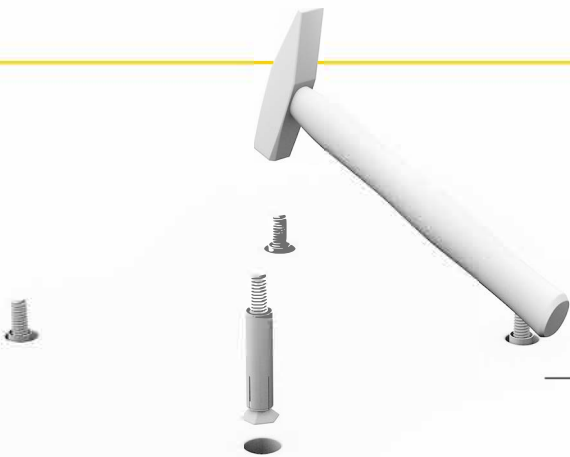
Place the base in the desired location on the cement surface and mark the 4 holes.

Using an Air Hammer (Not Included) make the holes in the cement.



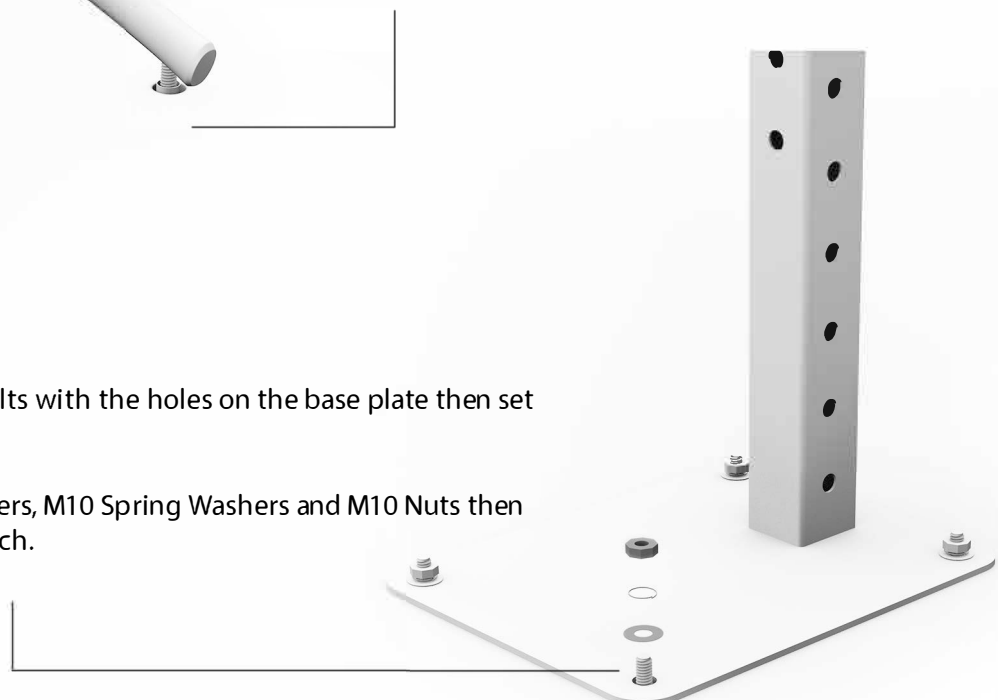
STEP 2

Insert the M 10 Expansion Bolt into the hole using a Hammer (Not Included).

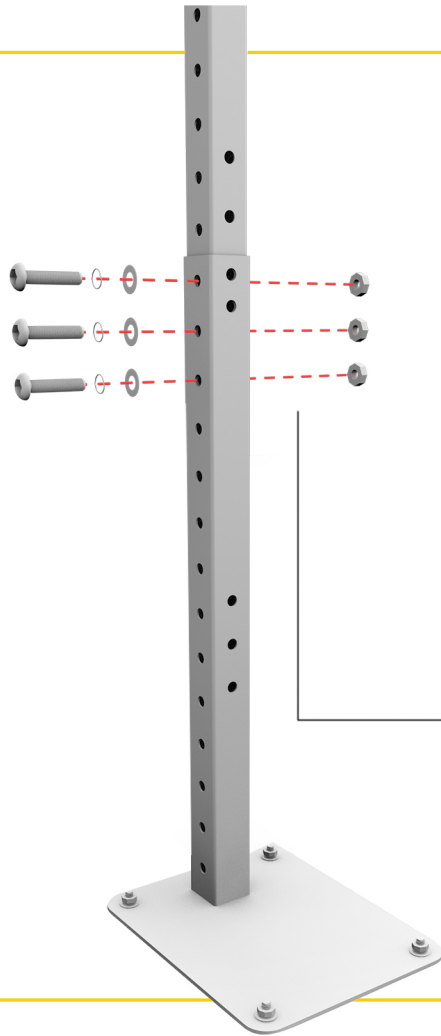


Align the expansion bolts with the holes on the base plate then set base into place.

Add the M10 Flat Washers, M10 Spring Washers and M10 Nuts then tighten using the Wrench.



STEP 3



Take segment A.
It should have 4 holes at the bottom & 1 hole at the top.

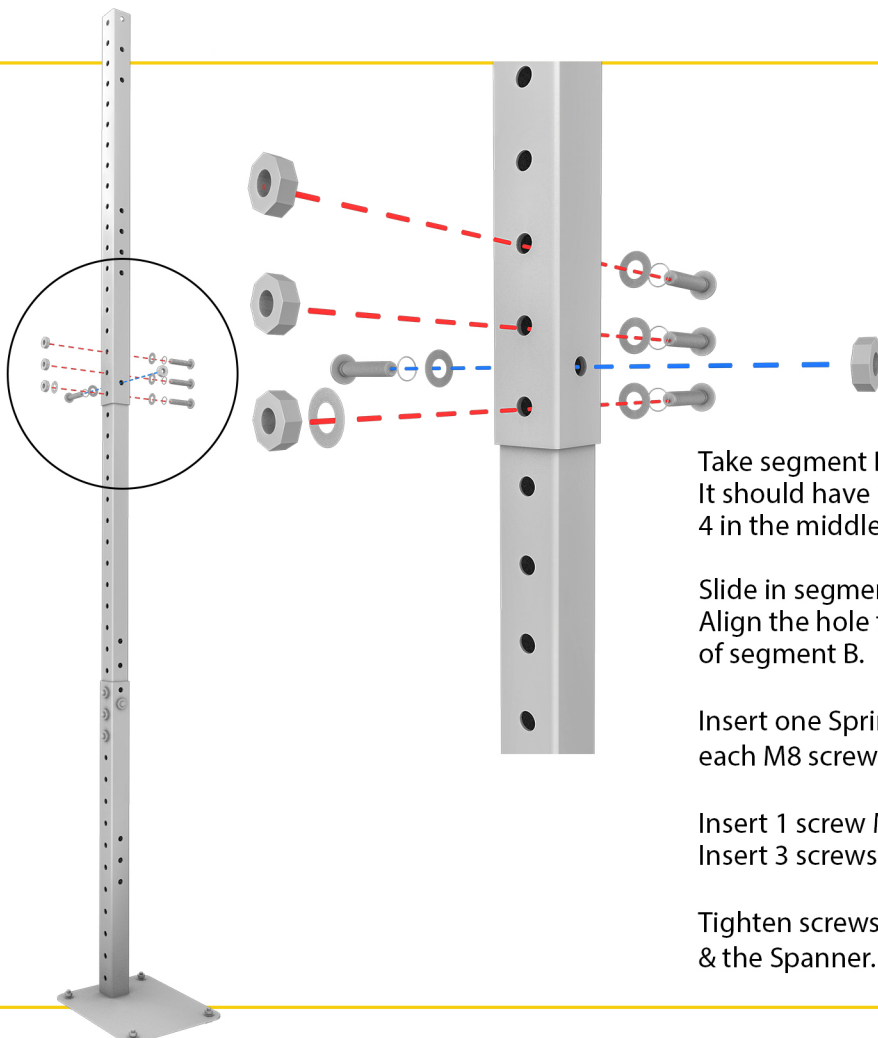
Slide in the segment A.

Align the last 3 side holes of the base with the first 3 side holes of segment A.

Use 3 M8 screws. Insert one Spring Washer M8 & one Flat Washer M8 on each M8 screw.

Insert the 3 screws M8 through the side.
Tighten screws with Nuts M8 using the Hex Wrench & the Spanner.

STEP 4



Take segment B.
It should have 1 hole at the bottom,
4 in the middle & 3 at the top.

Slide in segment B.
Align the hole from segment A with the bottom hole
of segment B.

Insert one Spring Washer M8 & one Flat Washer M8 on
each M8 screw.

Insert 1 screw M8 from back to front.
Insert 3 screws M8 though the side.

Tighten screws with Nuts M8 using the Hex Wrench
& the Spanner.

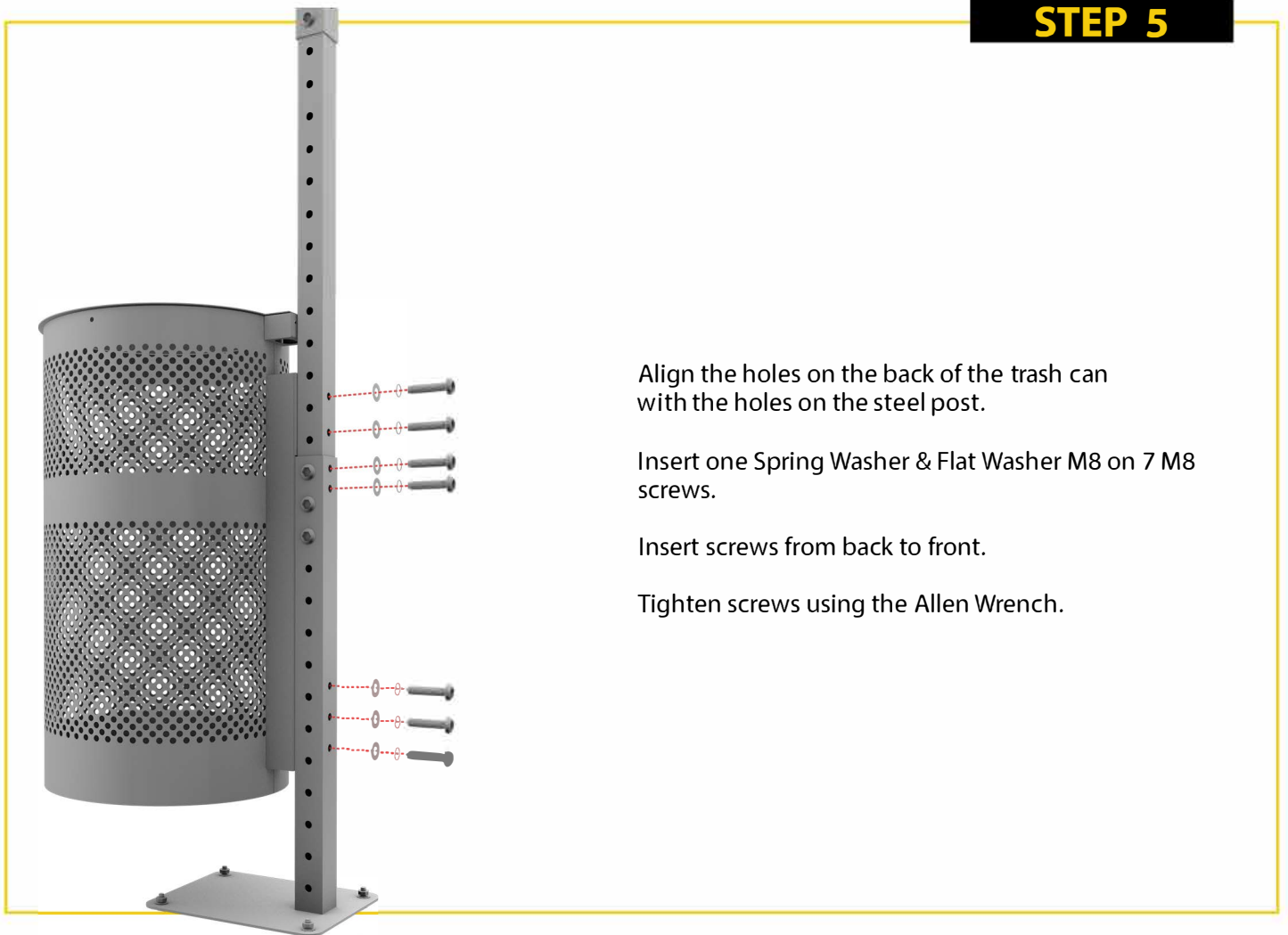
STEP 5

Align the holes on the back of the trash can with the holes on the steel post.

Insert one Spring Washer & Flat Washer M8 on 7 M8 screws.

Insert screws from back to front.

Tighten screws using the Allen Wrench.



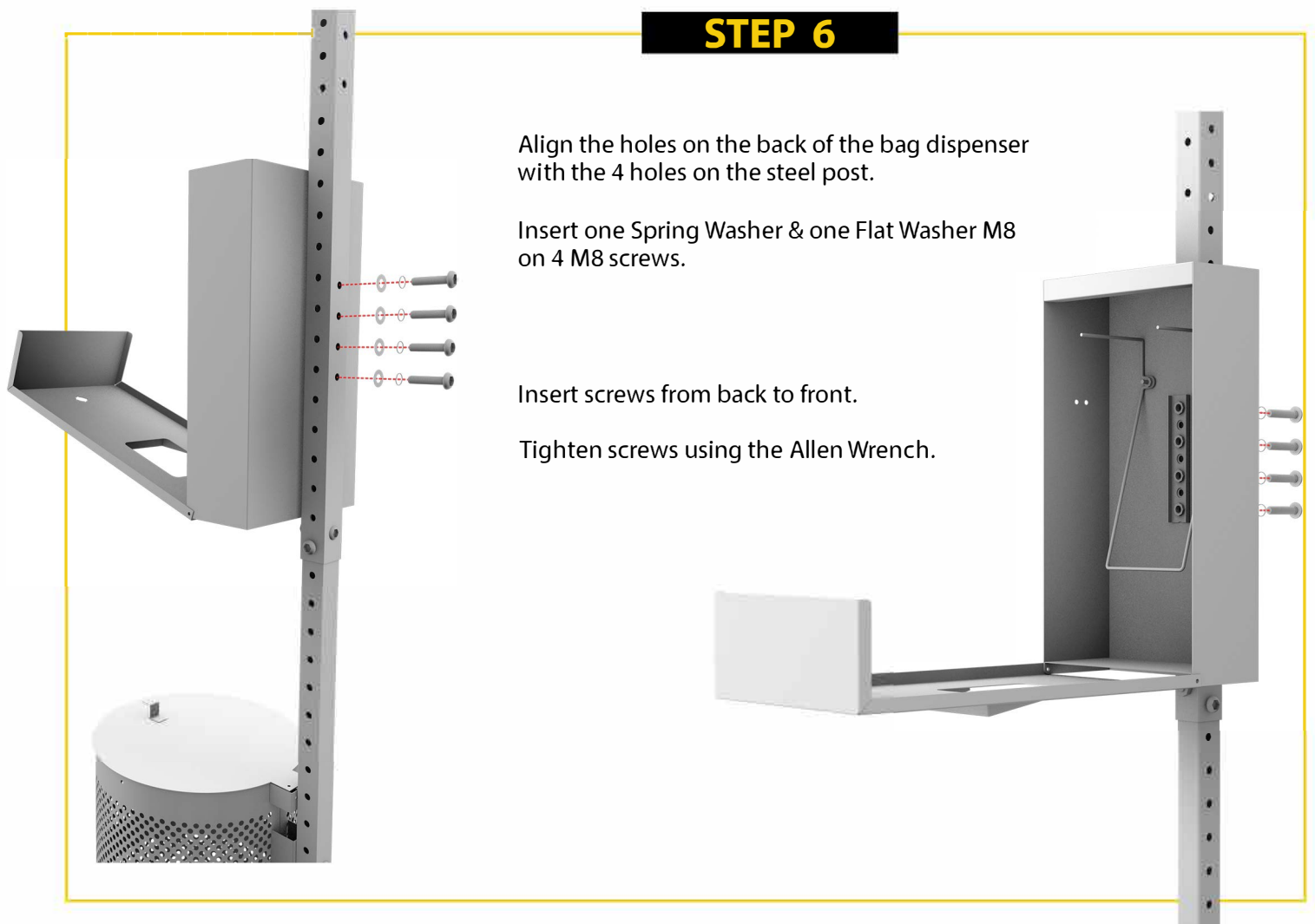
STEP 6

Align the holes on the back of the bag dispenser with the 4 holes on the steel post.

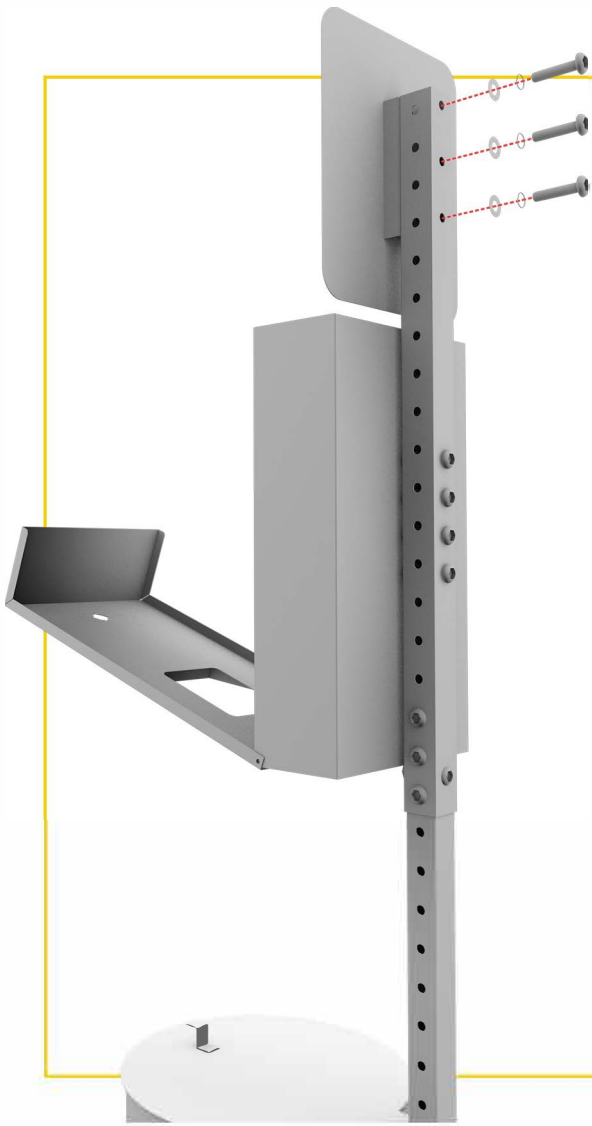
Insert one Spring Washer & one Flat Washer M8 on 4 M8 screws.

Insert screws from back to front.

Tighten screws using the Allen Wrench.



STEP 7



On top of the steel post, align the holes on the back of the station sign with the holes on the steel post.

Insert one Spring Washer & Flat Washer M8 on 3 M8 screws.

Insert screws from back to front.

Tighten screws using the Allen Wrench.

STEP 8

To install the can liner open the lid & pull up on the bag clamps.

Place the bag between the clamps & push the bag to the bottom of the can.

Wrap the edges of the bag around the bag clamps.

Push down on the bag clamps to lock the bag in place.

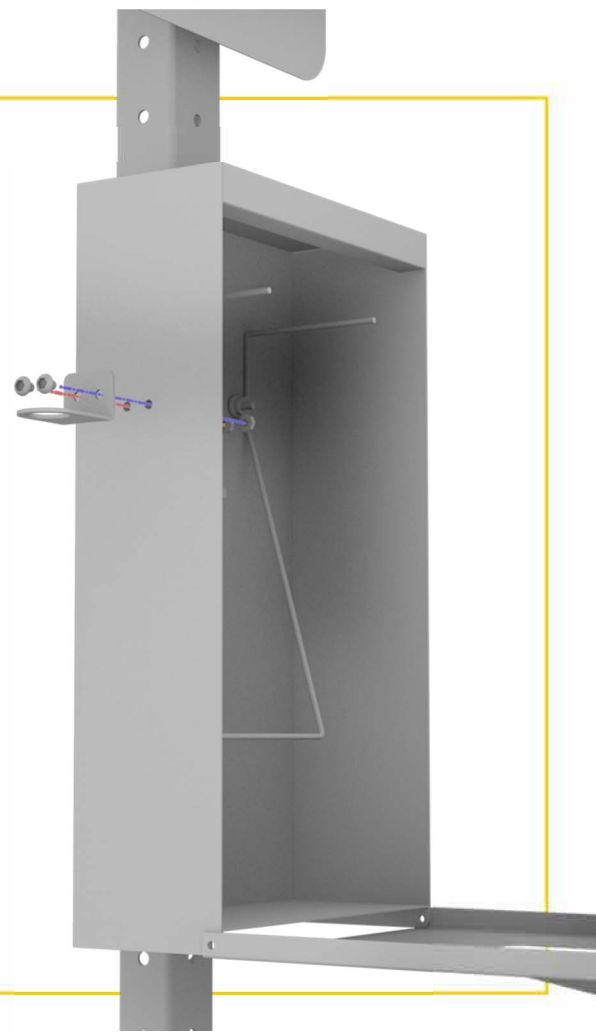


STEP 9

Find and remove the 2 rubber caps on the side of the dispenser.

Take the L-shaped bracket & align it with the holes. Insert the M5 screws (the smallest ones) through the holes like shown in the picture.

Tighten screws with M5 nuts using the Allen Wrench and the Wrench.

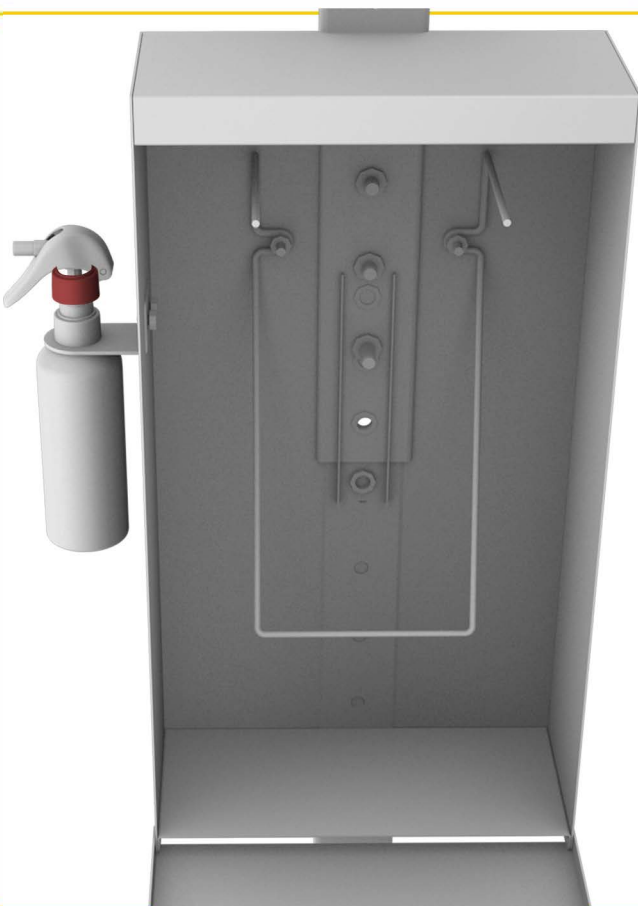


STEP 10

Fill the bottle with hand sanitizer.

Position the neck of the bottle in the hole.

Screw the bottom of the pump onto the neck of the bottle.



STEP 11

Hang the bags from the hooks as shown in the picture.

Close & lock the dispenser door.

