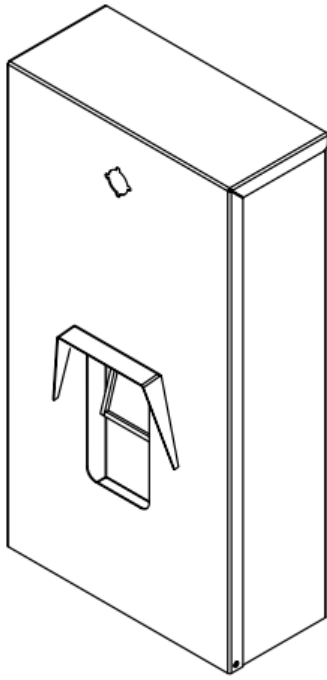


Thank you for your purchase!



Pull Out Dog Waste Bag Dispenser

ASSEMBLY INSTRUCTIONS

Before You Begin:

Please identify all component parts and hardware pieces required before you begin. Carefully remove all of the components from the packaging and set aside for assembly. Assemble on a soft surface to prevent scratching during assembly.

Caution:

Tighten all components securely before use. Failure to do so may result in personal injury. DO NOT use any sharp objects to open plastic wrapped components as damage to product or components may result.

Warning:

CHOKING HAZARD - Small Parts. Adult Assembly Required.

DO NOT ALLOW CHILDREN TO CLIMB ON FURNITURE

Serious or fatal injuries can occur from furniture tipping over. You must install Tipping Restraint Hardware (where included) to help prevent the unit from tipping and causing accidental injury, instability, death or damage. The tipping restraint is intended only as a safety measure, it is not a substitute for proper adult supervision.

To help prevent furniture from tipping over it must be permanently attached to the wall. Anti-Tip Safety Wall Straps suitable for the unit weight and wall materials (if not included) should be purchased and installed.

.....
Customer Service Email: CustomerExperience@theubiquegroup.com | Phone: 866-552-2810



Congratulations!

You just purchased a piece of happiness. At Ubique Group, we believe you can transform your spaces into the most inspired places with furnishings that are the perfect combination of form, function and style. As original innovators of online furniture retail, we offer the best selection of popular, contemporary styles at cool, comfortable prices. And, with decades of proven shipping and packaging expertise, our Extended Quality Checklist ensures a rewarding, hassle-free experience time and time again. It's just what you need to bring your vision to life.

Thank you & Enjoy!!
your friends at Ubique Group



LIKE IT!

*Share it on social
& Tell a friend!
#Spaces2Places*



LOVE IT!

*Write an online
product review
where purchased*



NOT SURE?

*Let us help!
Contact our
customer support.*

Have a question, concern or simply need a hand? Your satisfaction is our top priority. Contact us at 866-552-2810 or customerexperience@theubiquegroup.com. We're here to help!

Browse Our Branded Collections

There's something for everyone inside our family of brands.



Visit www.theubiquegroup.com/brands or scan this code.





We pride ourselves on providing an excellent customer experience starting right here with your package and instructions. Everything you need should be right where you need it, so you can get to enjoying your new item ASAP. But despite our best efforts, sometimes "slips happen." If you need any support, from replacement parts to recommendations, please reach out to our wonderful customer support team at 866-552-2810 or customerexperience@theubiquegroup.com. We're here to help!

EVERY UBIQUE GROUP PRODUCT



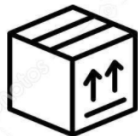
Quality &
Durability Tested



Packaged
with Care



Shipped from
our U.S. Facility



Designed
for Easy
Assembly



Ethically
Sourced

Please visit <https://www.theubiquegroup.com/warranty> for complete warranty information.

Read this manual before using this product. Failure to follow the instructions and safety precautions in this manual can result in serious injury or death. Keep this manual in a safe location for future reference.

**Hand Sanitizer
Bottle**



L-Shaped Bracket



Bag Dispenser



Allen Wrench



**M6
(60 mm)**



**M8
(50 mm)**



**M5
(6 mm)**

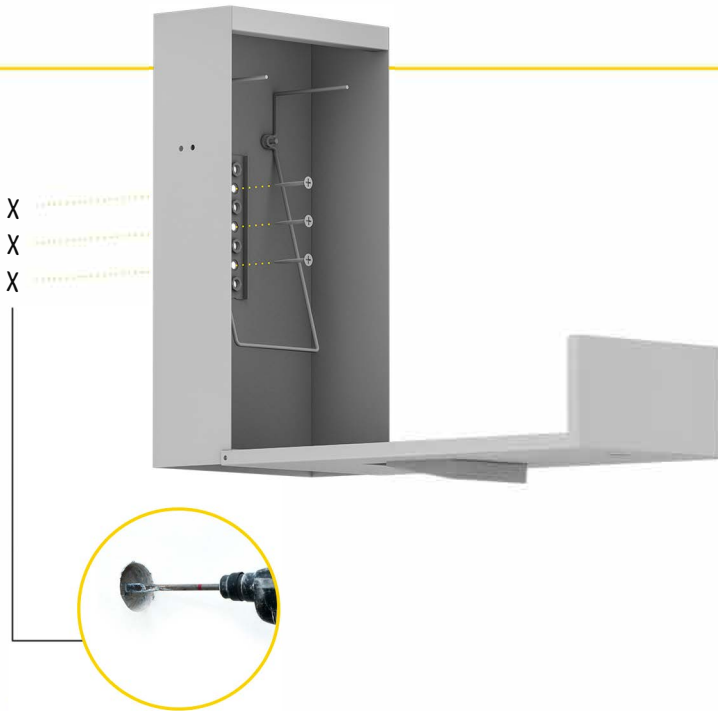


- Hand Sanitizer Bottle (1pc)**
- L-Shaped Bracket (1pc)**
- Bag Dispenser (1pc)**
- Screws MS 6mm (2pcs)**
- Lock Nut MS (2pcs)**
- Screws MS (4pcs)**
- Flat Washer MS (4pcs)**
- Spring Washer MS (4pcs)**
- Screws M6 50mm (3pcs)**
- Wall Anchors (3pcs)**
- Pull Bags (4pcs)**
- Bag Dispenser Key (2pcs)**
- Allen Wrench (1pc)**

For mounting your new dog waste bag dispenser on the wall you will need an Electric Drill (Not Included).

Wall Mounting Instructions

STEP 1



To mount the bag dispenser on the wall, use the 3 oval holes shown in the picture.

Unlock and open the bag dispenser door and choose the desired wall location. Mark the wall where you will need to drill.

With the Electric Drill, make holes in the marked places.

STEP 2

Insert Wall Anchors into each drilled hole.

Align the oval holes in the bag dispenser then use the electric drill to insert the M6 Screws through the oval holes and into the Wall Anchors.



STEP 3

Hang each set of bags from the interior hooks. Place the bags as shown in the picture.

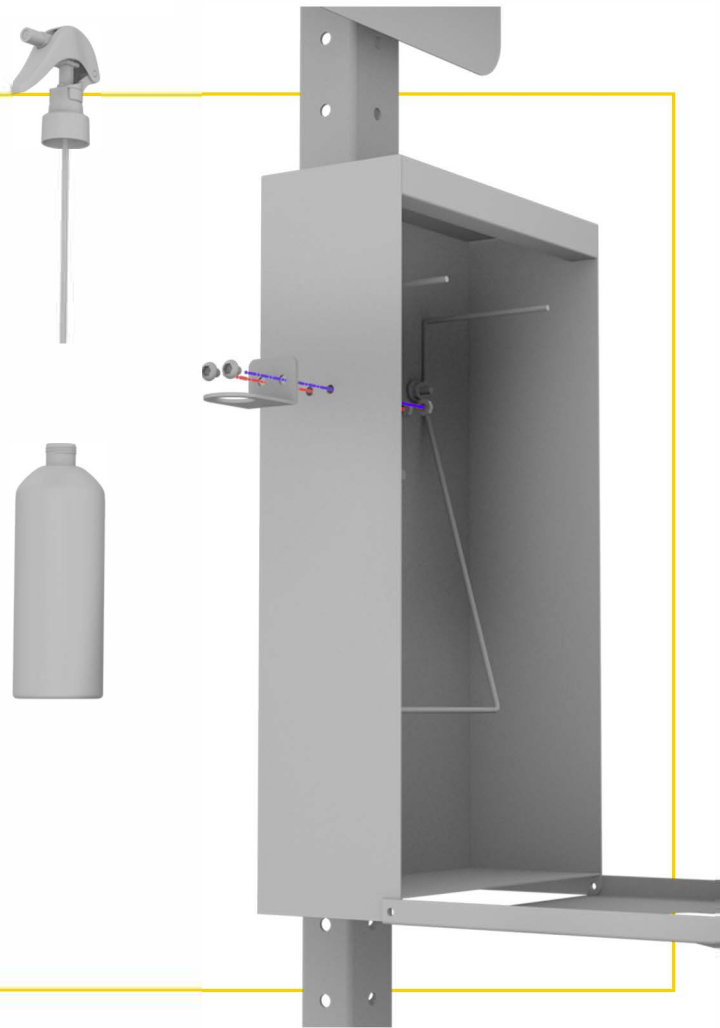
Close & lock the dispenser door.



STEP 4

Find and remove the 2 rubber caps on the side of the bag dispenser. Align the holes in the L-shaped bracket with the holes in the Bag Dispenser. Insert the M5 screws (the smallest ones) through the holes and into the M5 Nuts like shown in the picture.

Tighten screws with Allen Wrench and Wrench.



STEP 5

Fill the bottle with hand sanitizer.

Position the neck of the bottle in the hole.

Screw the bottom of the pump onto the neck of the bottle.

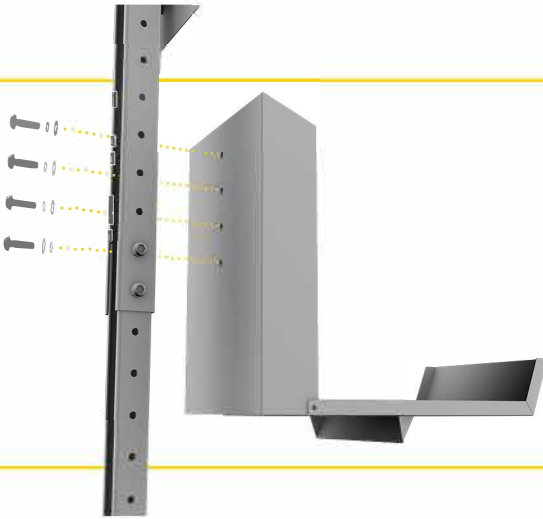


Dog Waste Station Mounting

STEP 1

Align the holes on the back of the Bag Dispenser with the 4 holes on the steel post. Insert 4 M8 screws into the Spring Washer and Flat Washer in the set then through the back of the Bag Dispenser.

Tighten screws using the Allen Wrench.



STEP 2

Install the dog waste bags in the dispenser.

Hang each set of bags from the interior hooks.
Place the bags as shown in the picture.

Close & lock the dispenser door.

