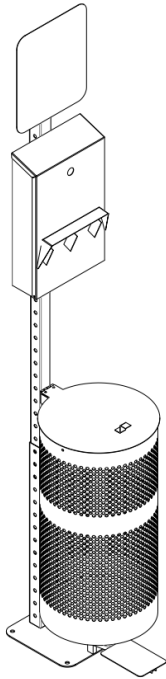


Thank you for your purchase!



Pet Waste Station with Pedal Trash Can

ASSEMBLY INSTRUCTIONS

Before You Begin:

Please identify all component parts and hardware pieces required before you begin. Carefully remove all of the components from the packaging and set aside for assembly. Assemble on a soft surface to prevent scratching during assembly.

Caution:

Tighten all components securely before use. Failure to do so may result in personal injury.

DO NOT use any sharp objects to open plastic wrapped components as damage to product or components may result.

Warning:

CHOKING HAZARD - Small Parts. Adult Assembly Required.

DO NOT ALLOW CHILDREN TO CLIMB ON FURNITURE

Serious or fatal injuries can occur from furniture tipping over. You must install Tipping Restraint Hardware (where included) to help prevent the unit from tipping and causing accidental injury, instability, death or damage. The tipping restraint is intended only as a safety measure, it is not a substitute for proper adult supervision.

To help prevent furniture from tipping over it must be permanently attached to the wall. Anti-Tip Safety Wall Straps suitable for the unit weight and wall materials (if not included) should be purchased and installed.

Customer Service Email: CustomerExperience@theubiquegroup.com | Phone: 866-552-2810



Congratulations!

You just purchased a piece of happiness. At Ubique Group, we believe you can transform your spaces into the most inspired places with furnishings that are the perfect combination of form, function and style. As original innovators of online furniture retail, we offer the best selection of popular, contemporary styles at cool, comfortable prices. And, with decades of proven shipping and packaging expertise, our Extended Quality Checklist ensures a rewarding, hassle-free experience time and time again. It's just what you need to bring your vision to life.

Thank you & Enjoy!!
your friends at Ubique Group



LIKE IT!

*Share it on social
& Tell a friend!
#Spaces2Places*



LOVE IT!

*Write an online
product review
where purchased*



NOT SURE?

*Let us help!
Contact our
customer support.*

Have a question, concern or simply need a hand? Your satisfaction is our top priority. Contact us at 866-552-2810 or customerexperience@theubiquegroup.com. We're here to help!

Browse Our Branded Collections

There's something for everyone inside our family of brands.



Visit www.theubiquegroup.com/brands or scan this code.





We pride ourselves on providing an excellent customer experience starting right here with your package and instructions. Everything you need should be right where you need it, so you can get to enjoying your new item ASAP. But despite our best efforts, sometimes "slips happen." If you need any support, from replacement parts to recommendations, please reach out to our wonderful customer support team at 866-552-2810 or customerexperience@theubiquegroup.com. We're here to help!

EVERY UBIQUE GROUP PRODUCT



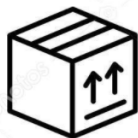
Quality &
Durability Tested



Packaged
with Care



Shipped from
our U.S. Facility



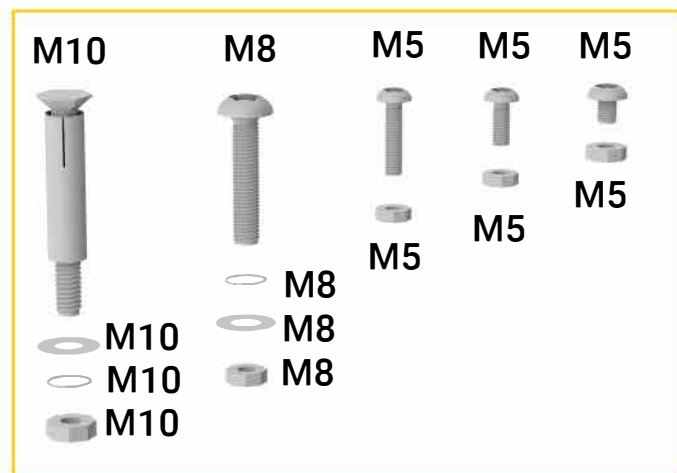
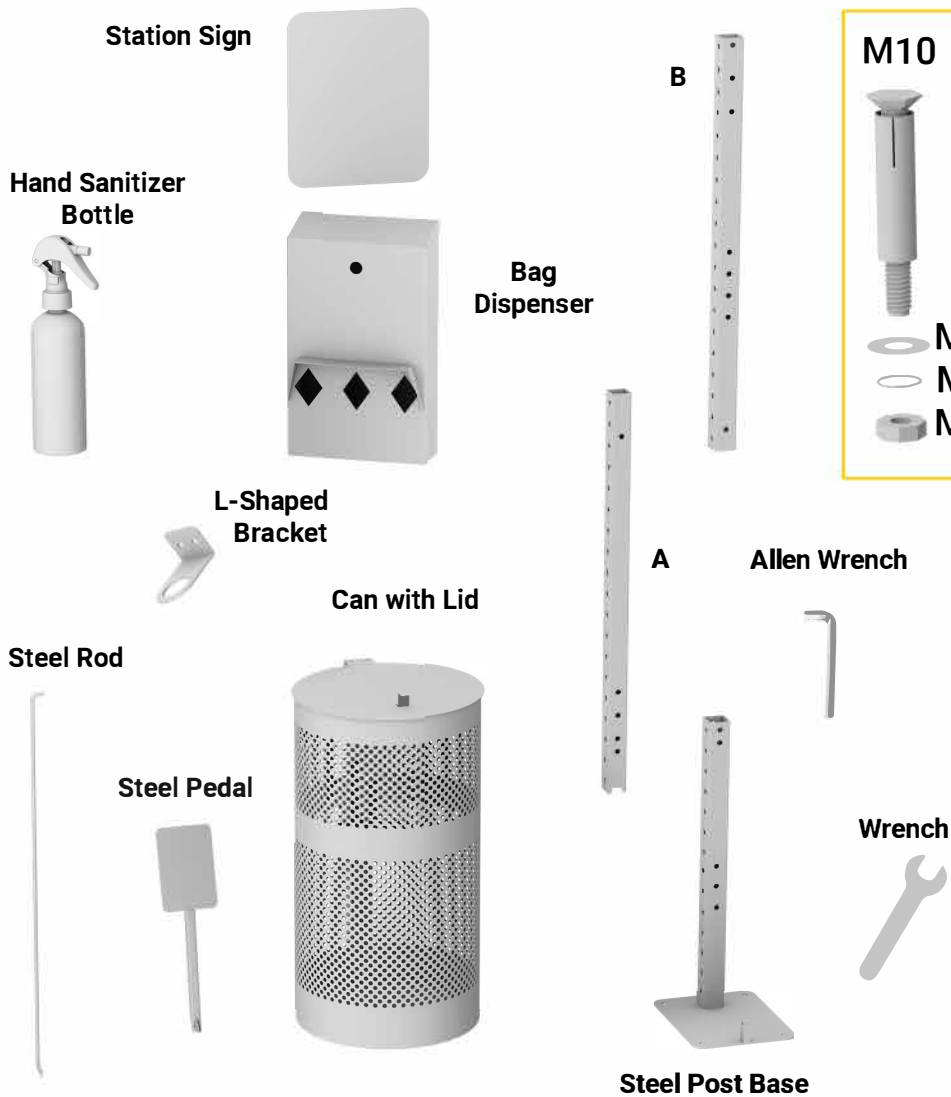
Designed
for Easy
Assembly



Ethically
Sourced

Please visit <https://www.theubiquegroup.com/warranty> for complete warranty information.

Read this manual before using this product. Failure to follow the instructions and safety precautions in this manual can result in serious injury or death. Keep this manual in a safe location for future reference.



- Hand Sanitizer Bottle (1 pc)
- L-Shaped Bracket (1 pc)
- Steel Post Base (1pc)
- Steel Post Segment A (1pc)
- Steel Post Segment B (1pc)
- Steel Pedal (1pc)
- Steel Rod (1pc)
- Station Sign (1pc)
- Bag Dispenser (1pc)
- Trash Can with Lid (1pc)
- Screws M8 50mm (21pcs)
- Flat Washer M8 (21pcs)
- Spring Washer M8 (21pcs)
- Nut M8 (7 pcs)
- Screws M5 6mm (2pcs)
- Screw M5 10mm (1pc)
- Screw M5 20mm (1pc)
- Lock Nut M5 (4pcs)
- Lock Nut M6 (1pc)
- Common Nut M6 (1pc)
- Bag Dispenser Key (2pcs)
- Allen Wrench (1pc)
- Wrench (3pcs)
- Box of Waste Bags (3pcs)
- Box of Can Liners (1pc)

For more stability, it's best to anchor the dog waste station onto a cement pad on the ground using an air hammer and hammer (Not Included).

For Mounting into Cement:

- Expansion Bolt M10 (4pcs)
- Flat Washer M10 (4pcs)
- Spring Washer M10 (4pcs)
- Nuts M10 (4pcs)

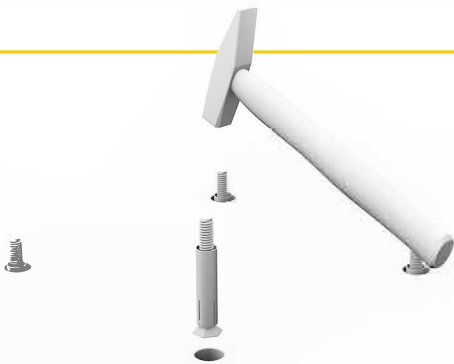
STEP 1

Place the base in the desired location on the cement surface and mark the 4 holes. Using an Air Hammer (Not Included) make the holes in the cement.



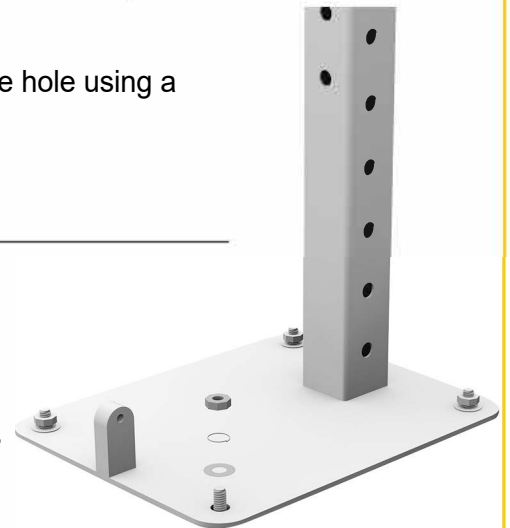
STEP 2

Insert the M10 Expansion Bolt into the hole using a Hammer (Not Included).



Align the expansion bolts with the holes on the base plate then set base into place.

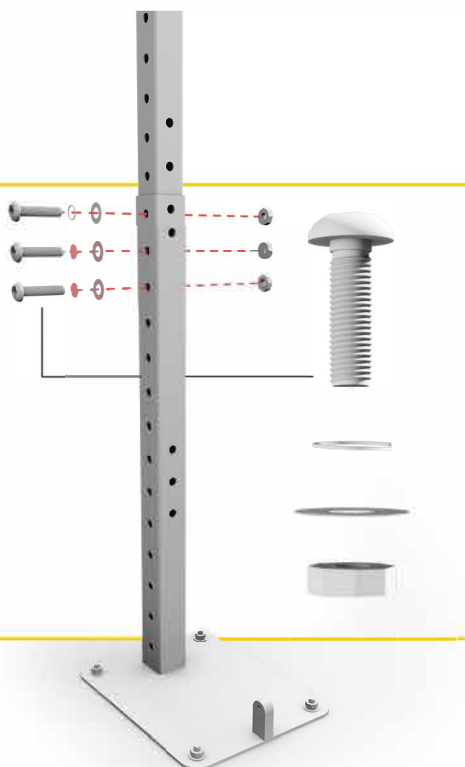
Add the M10 Flat Washers, M10 Spring Washers and M10 Nuts then tighten using the Wrench.



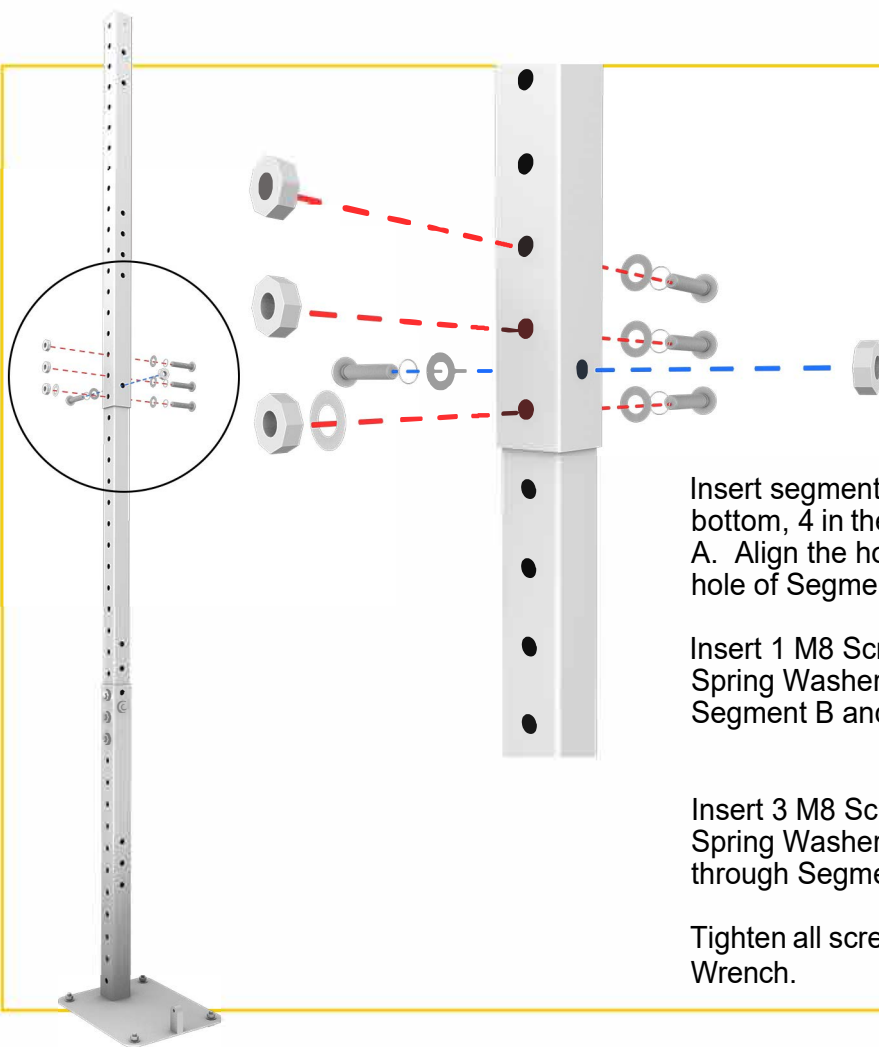
STEP 3

Insert Segment A (It should have 4 holes at the bottom & 1 hole at the top) into the Steel Post Base.

Align the last 3 side holes of the base with the first 3 side holes of segment A. Insert an M8 Screw through an M8 Spring Washer and M8 Flat Washer then through the Post Base. Attach the M8 Nut and tighten using the Hex Wrench and Wrench.



STEP 4



Insert segment B (It should have 1 hole at the bottom, 4 in the middle & 3 at the top) into Segment A. Align the hole from Segment A with the bottom hole of Segment B.

Insert 1 M8 Screw from front to back through 1 M8 Spring Washer and 1 M8 Flat Washer then through Segment B and into the M8 Nut.

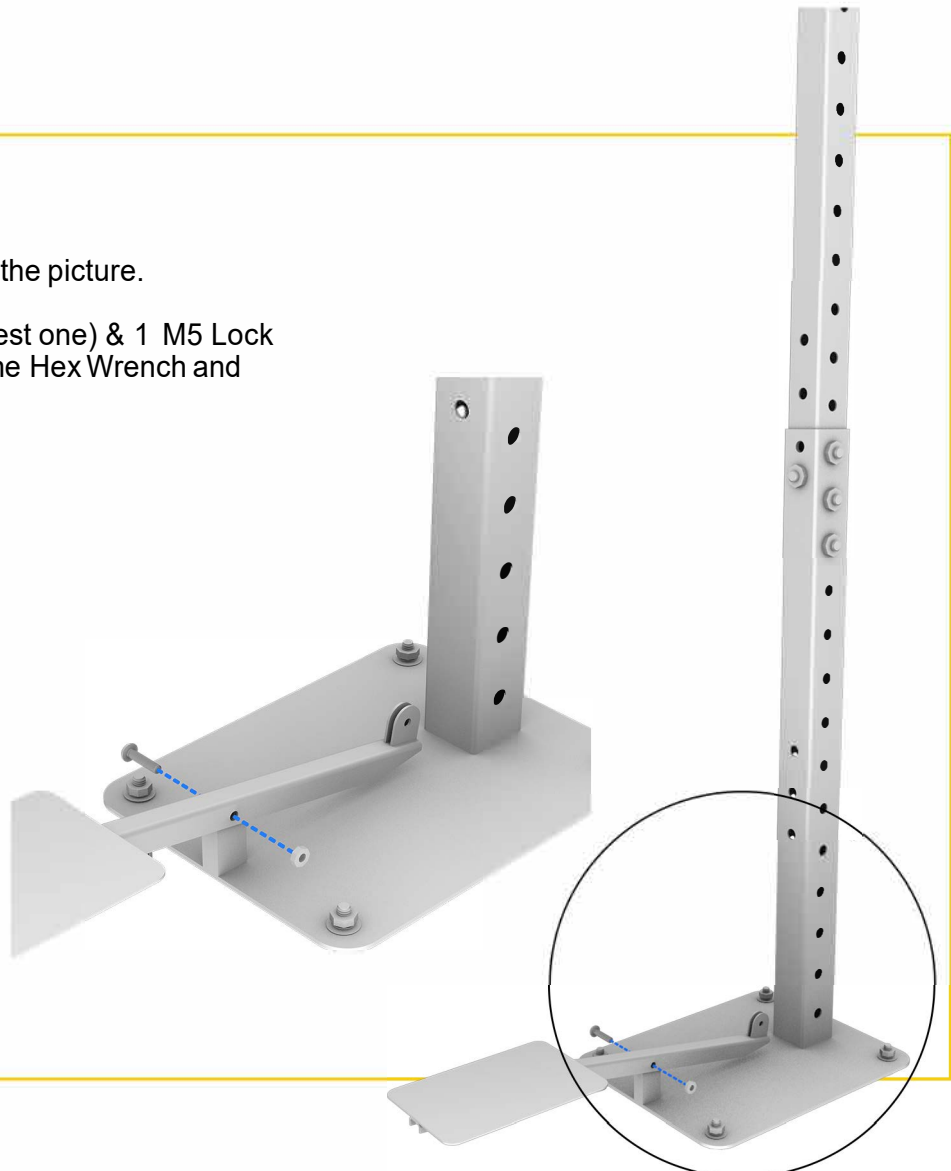
Insert 3 M8 Screws from the side through 3 M8 Spring Washers and 3 M8 Flat Washers then through Segment B and into 3 M8 Nuts.

Tighten all screws using the Allen Wrench and Wrench.

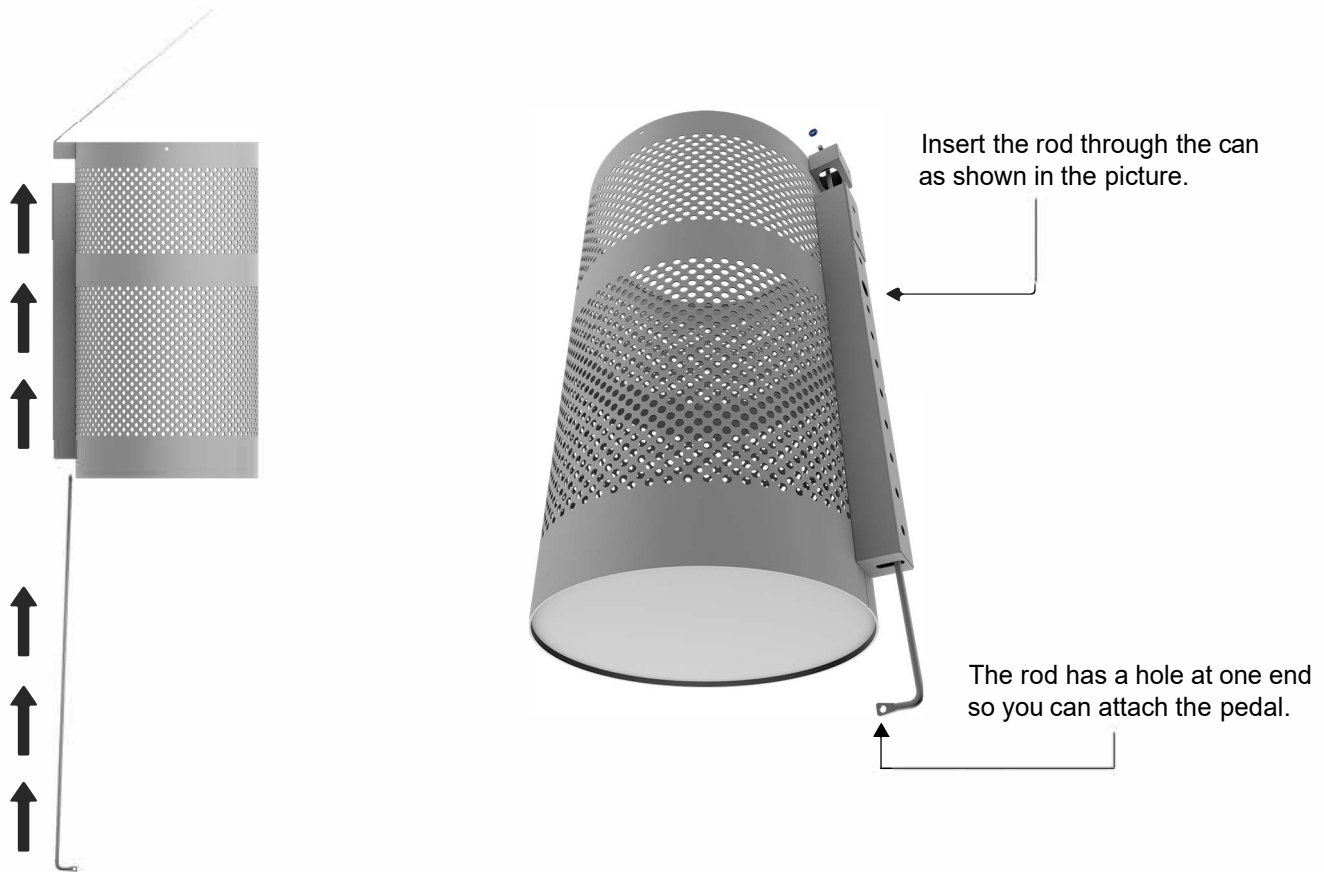
STEP 5

Place the Pedal as shown in the picture.

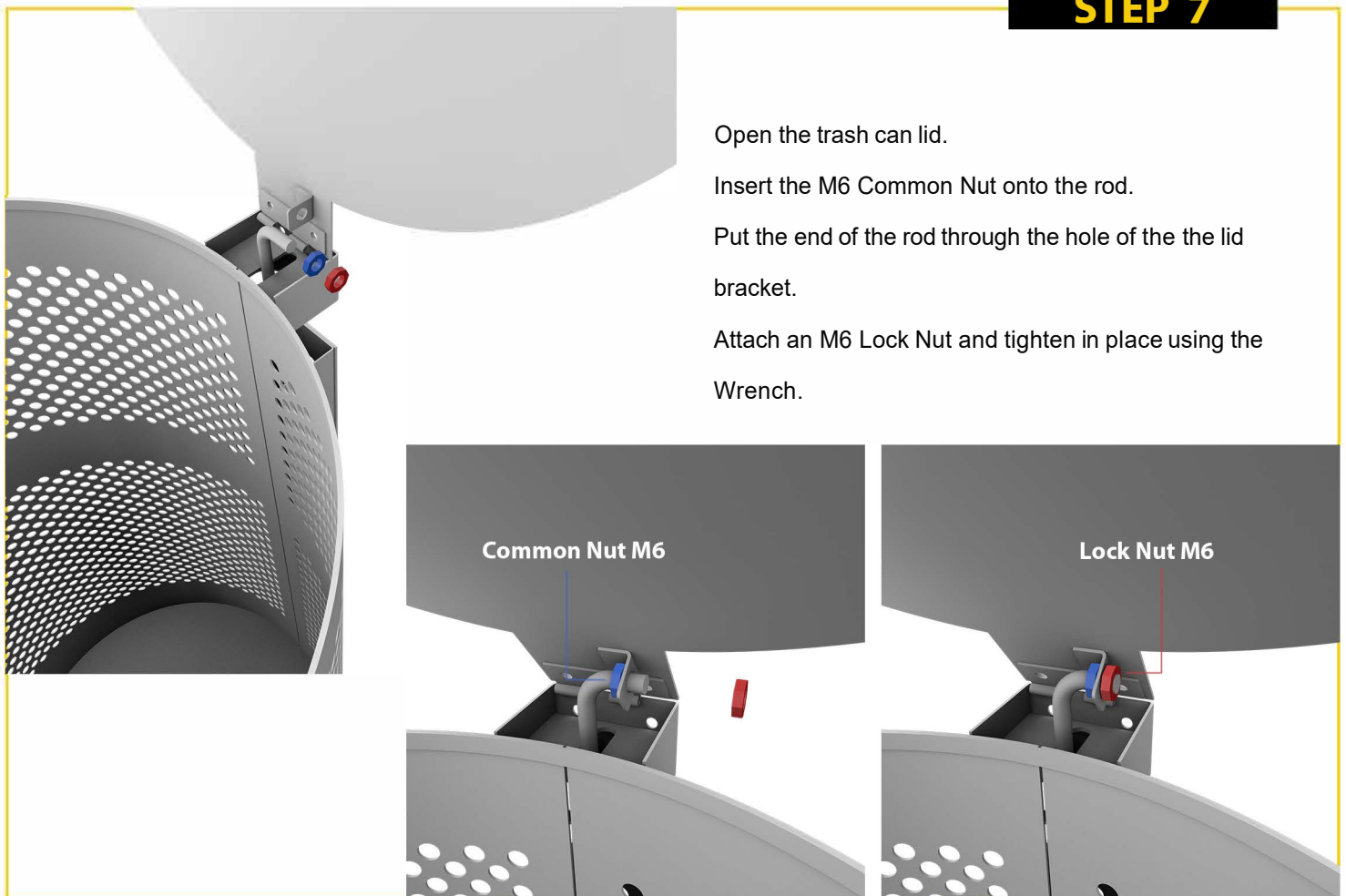
Insert 1 M5 screw (the biggest one) & 1 M5 Lock Nut. Tighten in place using the Hex Wrench and Wrench.



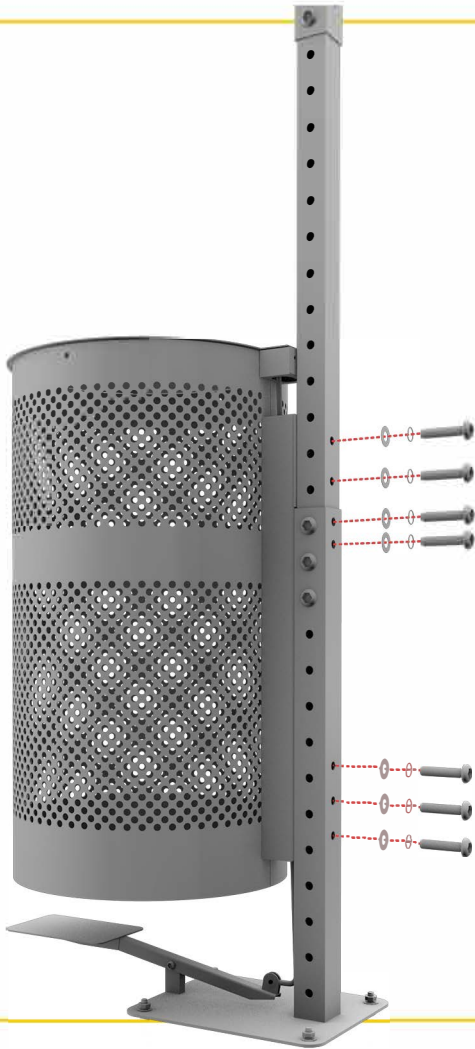
STEP 6



STEP 7



STEP 8



Align the holes on the back of the trash can with the holes on the steel post.

Insert an M8 Screw through an M8 Spring Washer and M8 Flat Washer then into the steel post from back to front. Repeat for the other 6 screws.

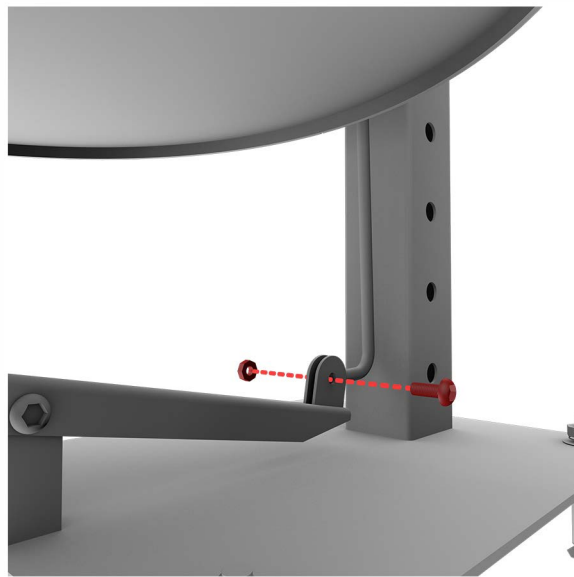
Tighten screws using the Allen Wrench.

STEP 9



Insert the rod between the two holes at the end of the pedal.

Insert 1 M5 Screw (the medium one) through the pedal and rod holes and secure it with 1 M5 Lock Nut. Tighten using the Allen Wrench and Wrench

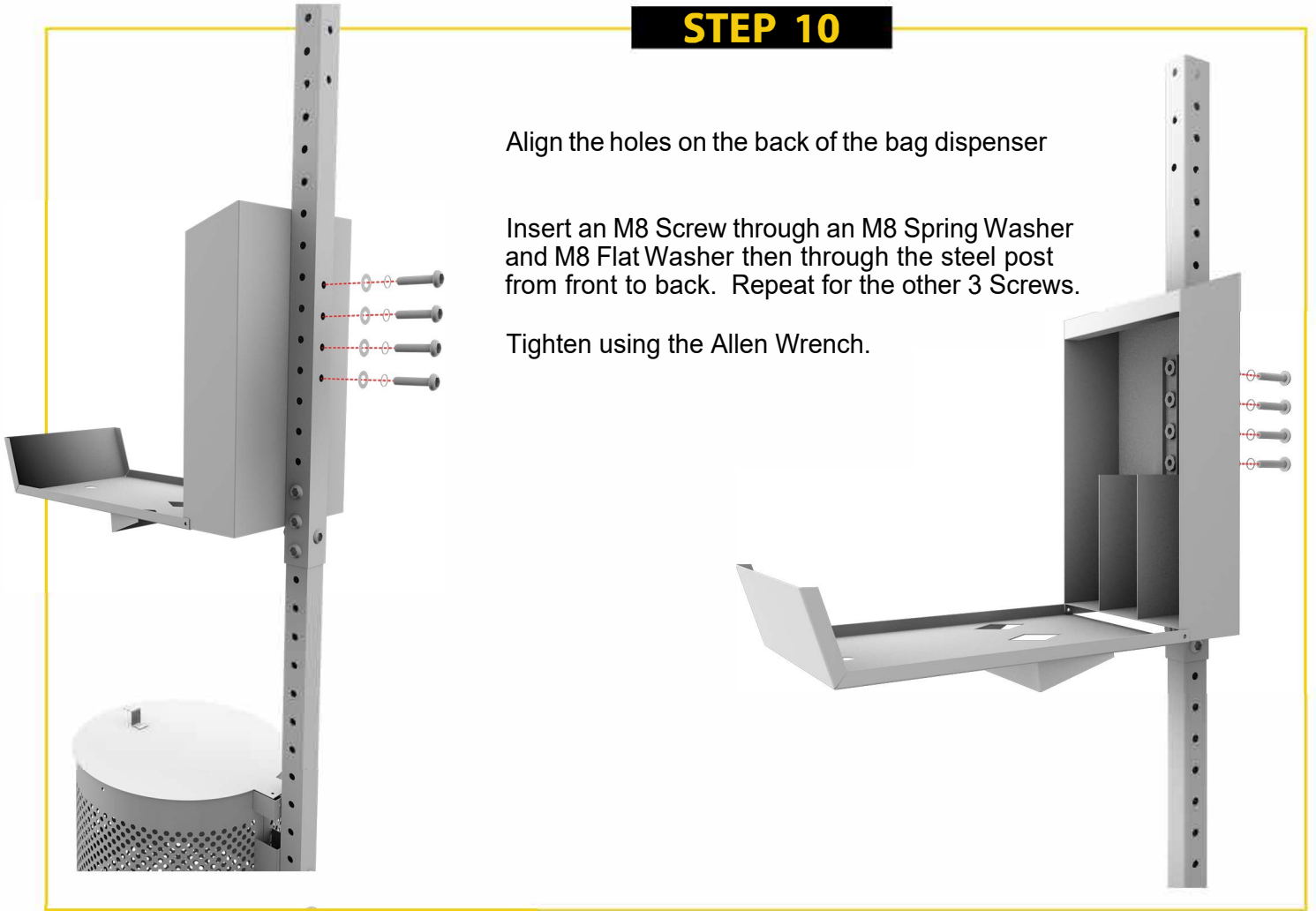


STEP 10

Align the holes on the back of the bag dispenser

Insert an M8 Screw through an M8 Spring Washer and M8 Flat Washer then through the steel post from front to back. Repeat for the other 3 Screws.

Tighten using the Allen Wrench.



STEP 11

On top of the steel post, align the holes on the back of the station sign with the holes on the steel post.

Insert an M8 Screw through an M8 Spring Washer and M8 Flat Washer then into the steel post from back to front. Repeat for other 2 screws.

Tighten using the Allen Wrench.



STEP 12

To install the can liner open the lid & pull up on the bag clamps.

Place the bag between the clamps & push the bag to the bottom of the can.

Wrap the edges of the bag around the bag clamps.

Push down on the bag clamps to lock the bag in place.



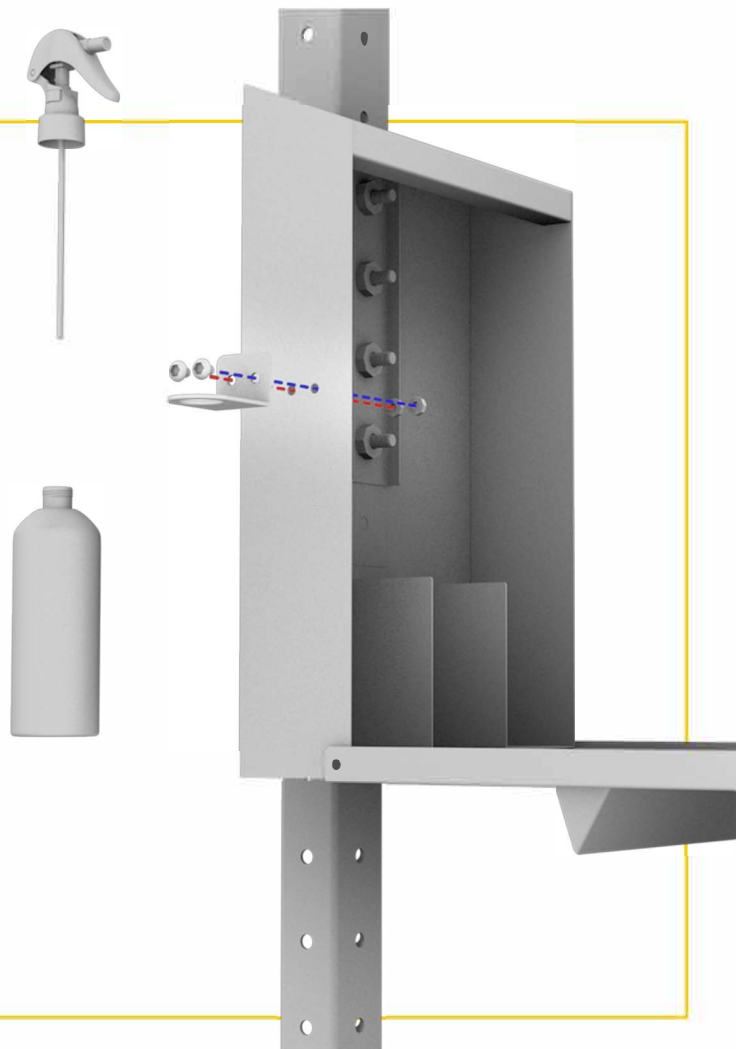
STEP 13

Find and remove the 2 rubber caps on the side of the dispenser.

Align the holes in the the L-Shaped Bracket with the holes in the dispenser.

Insert 2 M5 screws (the smallest ones) through the holes into 2 M5 Lock Nuts like shown in the picture.

Tighten screws using the Allen Wrench and Wrench.



STEP 14



Fill the container with hand sanitizer.

Position the neck of the bottle in the hole.

Screw the pump onto the neck of the bottle.

STEP 15

Open the dog waste boxes from the perforated area.

Place the boxes as shown in the picture.

Pull the bags out of the box a little for easy access.

Close & lock the dispenser door.

