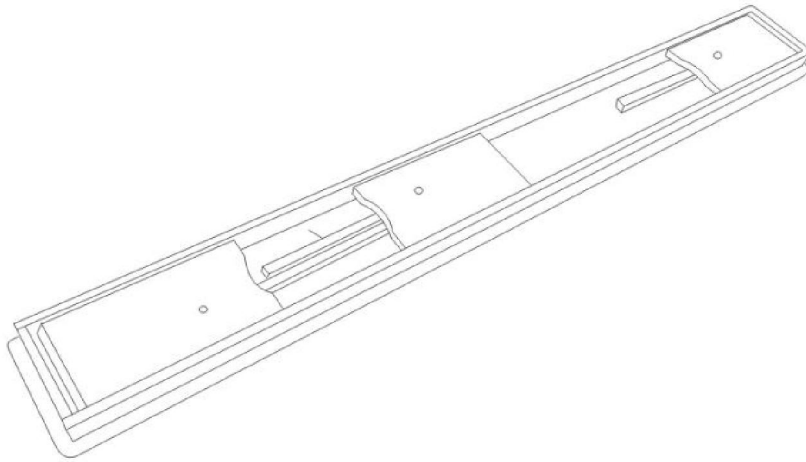
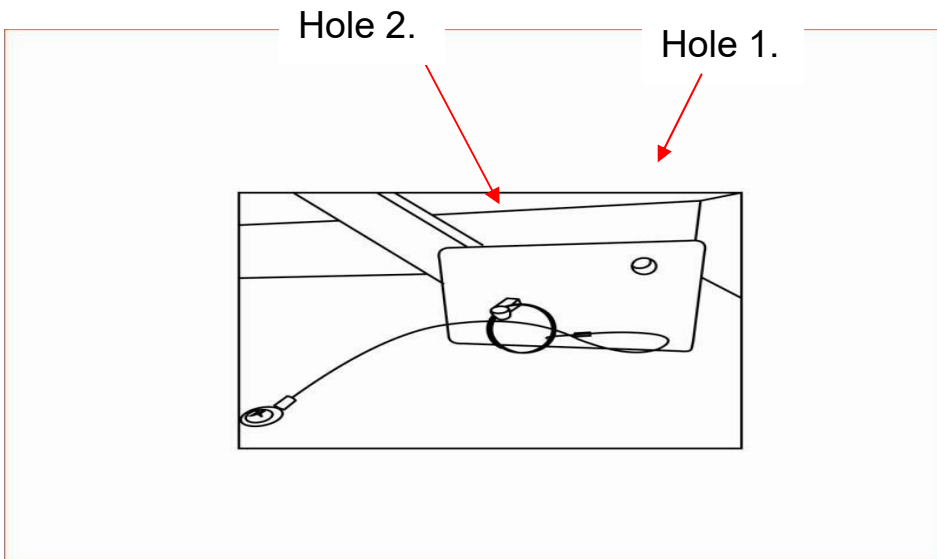


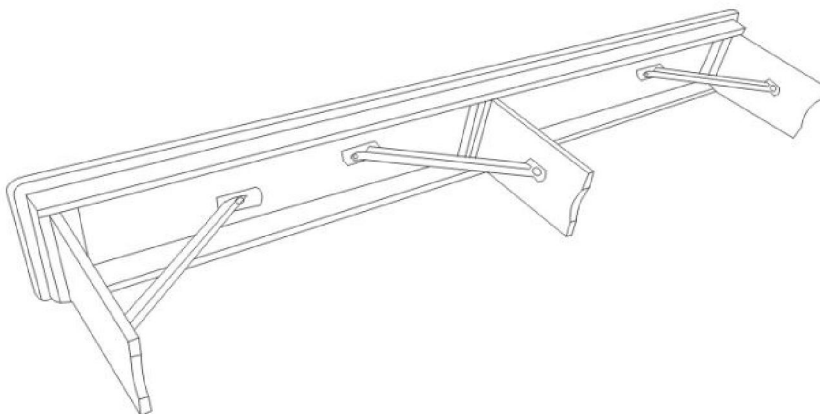
XA-B-96X12-L-GG
Assembly Instructions



Step1:Open the box and take off the locked pins from Hole 1, then open the legs



Step2: fix the pins into Hole 2.



Step3. : Open the legs & fix locking pins into correct holes, then turn around the bench top up.