

Thank you for your purchase!



Small Mobile Folding Chair and Table Dolly

ASSEMBLY INSTRUCTIONS

Before You Begin:

Please identify all component parts and hardware pieces required before you begin. Carefully remove all of the components from the packaging and set aside for assembly. Assemble on a soft surface to prevent scratching during assembly.

Caution:

Tighten all components securely before use. Failure to do so may result in personal injury. DO NOT use any sharp objects to open plastic wrapped components as damage to product or components may result.

Warning:

CHOKING HAZARD - Small Parts. Adult Assembly Required.

DO NOT ALLOW CHILDREN TO CLIMB ON FURNITURE

Serious or fatal injuries can occur from furniture tipping over. You must install Tipping Restraint Hardware (where included) to help prevent the unit from tipping and causing accidental injury, instability, death or damage. The tipping restraint is intended only as a safety measure, it is not a substitute for proper adult supervision.

To help prevent furniture from tipping over it must be permanently attached to the wall. Anti-Tip Safety Wall Straps suitable for the unit weight and wall materials (if not included) should be purchased and installed.

Customer Service Email: CustomerExperience@theubiquegroup.com | Phone: 866-552-2810

QIN-FRCW45425-GG



Congratulations!

You just purchased a piece of happiness. At Ubique Group, we believe you can transform your spaces into the most inspired places with furnishings that are the perfect combination of form, function and style. As original innovators of online furniture retail, we offer the best selection of popular, contemporary styles at cool, comfortable prices. And, with decades of proven shipping and packaging expertise, our Extended Quality Checklist ensures a rewarding, hassle-free experience time and time again. It's just what you need to bring your vision to life.

Thank you & Enjoy!!
your friends at Ubique Group



LIKE IT!

*Share it on social
& Tell a friend!
#Spaces2Places*



LOVE IT!

*Write an online
product review
where purchased*



NOT SURE?

*Let us help!
Contact our
customer support.*

Have a question, concern or simply need a hand? Your satisfaction is our top priority. Contact us at 866-552-2810 or customerexperience@theubiquegroup.com. We're here to help!

Browse Our Branded Collections

There's something for everyone inside our family of brands.



Visit www.theubiquegroup.com/brands or scan this code.





We pride ourselves on providing an excellent customer experience starting right here with your package and instructions. Everything you need should be right where you need it, so you can get to enjoying your new item ASAP. But despite our best efforts, sometimes "slips happen." If you need any support, from replacement parts to recommendations, please reach out to our wonderful customer support team at 866-552-2810 or customerexperience@theubiquegroup.com. We're here to help!

EVERY UBIQUE GROUP PRODUCT



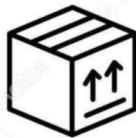
Quality &
Durability Tested



Packaged
with Care



Shipped from
our U.S. Facility



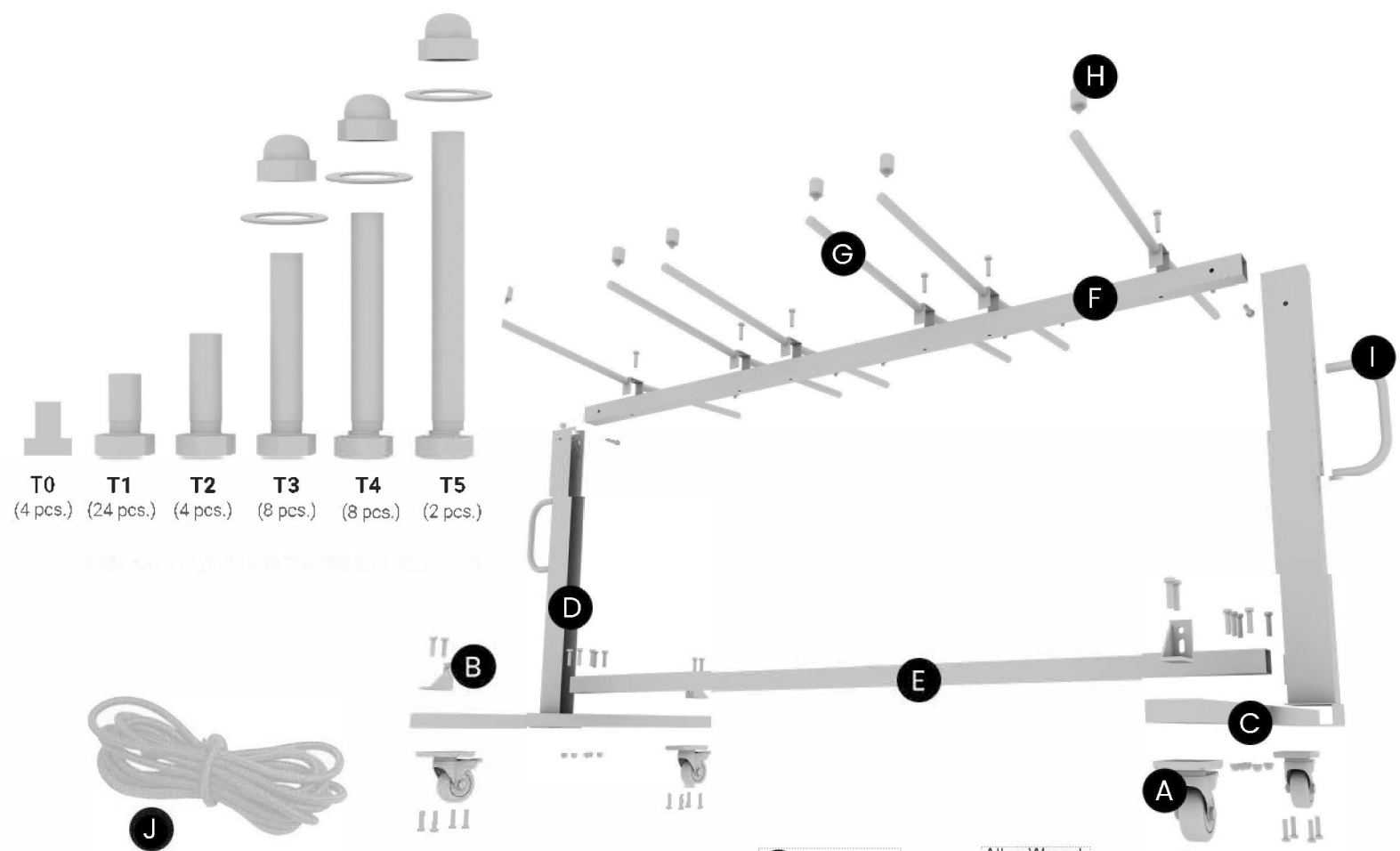
Designed
for Easy
Assembly



Ethically
Sourced

Please visit <https://www.theubiquegroup.com/warranty> for complete warranty information.

Read this manual before using this product. Failure to follow the instructions and safety precautions in this manual can result in serious injury or death. Keep this manual in a safe location for future reference.



A Wheels (4pcs)

B L-Shaped Bracket (4pcs)

C Small Bars (2pcs)

D Vertical Bar (2pcs)

I Crossbar- Without Holes (1pc)

F Crossbar- With Holes (1pc)

G Chair Hangers (6pcs)

H Knobs (12pcs)

I Handles (2pcs)

J Bungee Cord with Hooks (2pcs)

O Hex Wrench

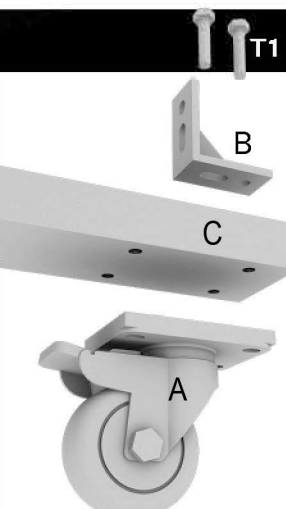
Allen Wrench

N

Wrench

M

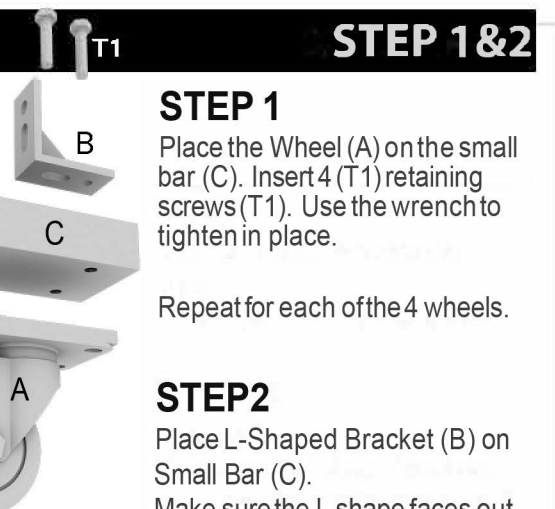
STEP 1&2




STEP 1
Place the Wheel (A) on the small bar (C). Insert 4 (T1) retaining screws (T1). Use the wrench to tighten in place.

Repeat for each of the 4 wheels.

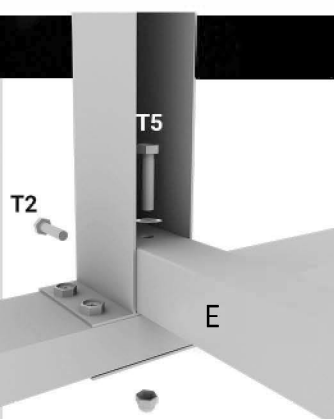
STEP 2
Place L-Shaped Bracket (B) on Small Bar (C). Make sure the L shape faces out.



Insert 2 (T1) retaining screws then tighten using the wrench. Repeat for the other 3 brackets.



STEP 4

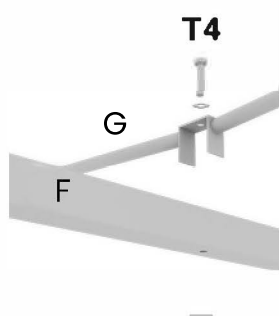


Insert Crossbar Without Holes (E) into the lower Vertical Bar (D). Insert 1 (T2) retaining screw from the side and 1 (T5) screw and T5 Washer inside (as shown in the picture). Tighten using the Allen Wrench.

Repeat for the other side.

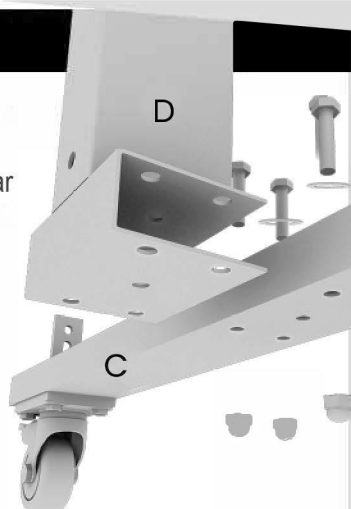
STEP 6

Place first Chair Hook (G) on upper crossbar (F). Align hole with crossbar hole and insert 1 (T4) retaining screw through the washer and crossbar into the nut cap. Tighten using the Allen Wrench and Hex Wrench.



Repeat for the other 5 chair hangers.

STEP 3

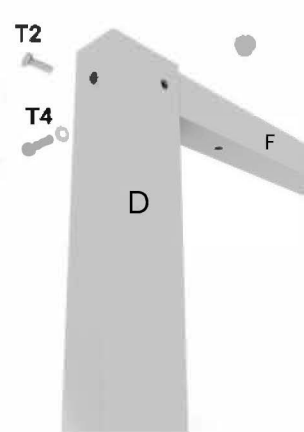


Insert Vertical Bar (D) onto the middle of the Small Bar (C). Make sure the rail part of the bar faces in.

Insert 4 (T3) retaining screws into the nut caps and tighten using the Allen Wrench and Hex Wrench.

Repeat for the other side.


STEP 5



Insert Crossbar With Holes (F) into the upper Vertical Bar (D). Insert 1 (T2) retaining screw from the end and 1 (T4) screw and T4 washer from the side into the nut cap (as shown in picture).

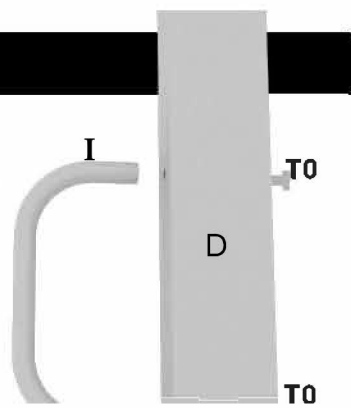
Tighten using the Allen Wrench and Hex Wrench.

STEP 7



Insert Knob (H) into the pointy end of each chair hanger into the nut cap and hand tighten. Repeat for the rest of the knobs.

STEP 8



Attach the handle onto the vertical bar D using 2 (TO) retaining screws. Tighten using the Allen Wrench.

Repeat for the second handle.

Quality and Safety Guidelines:

- Please follow the static and dynamic weight capacity limits provided on this item. If you are unsure of the weight capacities for this product, email us at CustomerExperience@theubiquegroup.com or call 866-552-2810.
- Please use this item on a stable, level surface only. All casters should contact the flooring surface when in use. Do not use this item if any instability is detected.
- This item is intended for storage and transport purposes only, do not hang from or sit on any part or attempt to stand or sit on this product when in motion.
- For maintenance instructions and replacement parts, please email us at CustomerExperience@theubiquegroup.com or call 866-552-2810.
- For additional storage instructions, please email us at CustomerExperience@theubiquegroup.com or call 866-552-2810.
- Please visit www.theubiquegroup.com for our product warranty details or email us at CustomerExperience@theubiquegroup.com or call 866-552-2810.