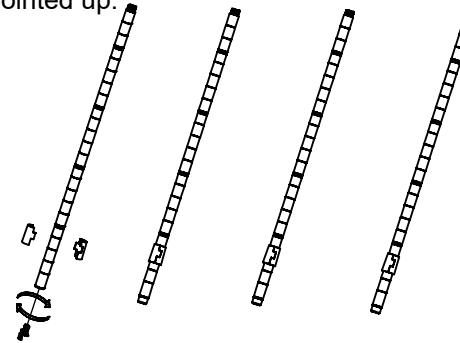


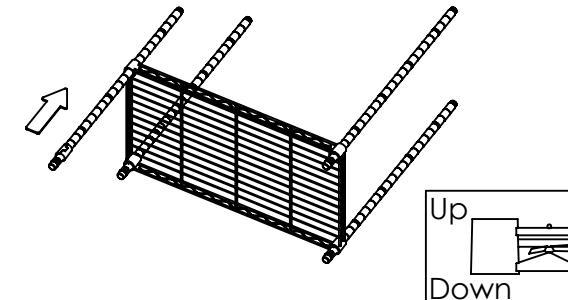
upright parts sequence

No.	A	B	C	D	E	F	G
name	Wire Shelf	Lower Pole	Middle Pole	Upper Pole	Hooks	Leveling Foot	Plastic Clip
Parts						 4 pcs	 2 pcs spare 42 pcs
QTY	5 pcs	4 pcs	4 pcs	4 pcs	1 pc	 8 pcs	 4 pcs

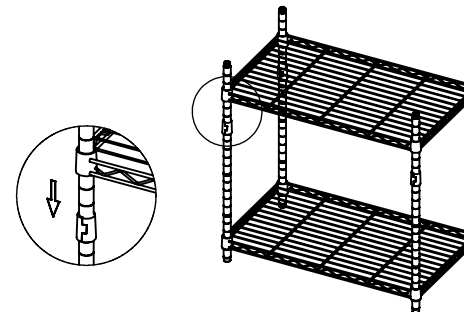
1 Screw four pieces Leveling Foot(F) into the bottom of each Lower Pole(B). And snap the Plastic Clips(G) on the grooves of each lower pole at the same position. Make sure the arrow of all the plastic clips should be pointed up.



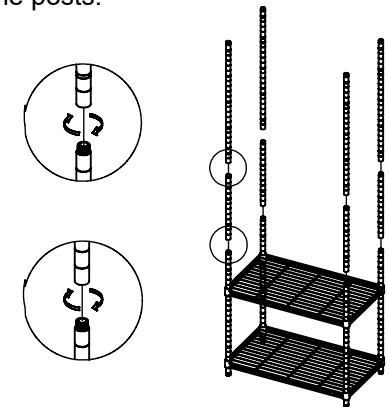
2 Ensure the Wire Shelf (A) positioned correctly. Hold the shelf and slide the top of each Lower Pole (B) through the bottom of each corner opening of the Shelf until it reaches Plastic Clip (G) and fits tightly.



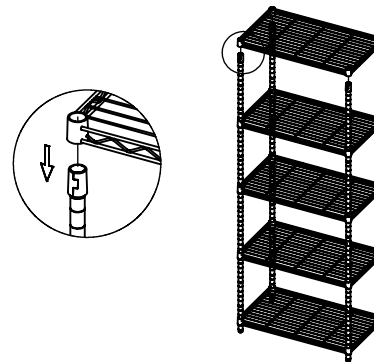
3 Snap plastic clips on the grooves of each lower pole at your desired position for the next wire shelf. Slide down the wire shelf from the top of each pole down onto the plastic clips.



4 Screw Middle pole(C) & Upper Pole(D) using screw connectors(E) already assembled on the posts.



5 Repeat Step (3) to install the rest of wire shelves. And then push Cap(I) on top end of Upper pole(D)



6 Pushing firmly down on every wire shelves at corners by rubber mallet to ensure all the shelves in a place over the plastic clips. And screw leveling feet in or out to attain proper leveling. And hanging the Hooks(E) on one of shelves.

