



Owner's Manual

E-FLOW



Please visit our YouTube channel for the assembly guide video.



For any assembly-related questions, please call (888) 933-8899.

Table of Contents

ABOUT THIS MANUAL.....2

YOUNG ELECTRIC BICYCLE OVERVIEW.....3

SPECIFICATIONS.....4

SAFETY PRECAUTIONS5

ASSEMBLY INSTRUCTIONS.....6-22

BATTERY CHARGING & STORAGE.....23-26

PRE-RIDING CHECK.....27-29

HMI DISPLAY CONTROL.....30-34

MAINTENANCE.....35-40

SERVICE PARTS.....41

LIMITED WARRANTY.....42-44

THANK YOU FOR CHOOSING A YOUNG ELECTRIC BICYCLE !

YOUNG ELECTRIC bikes are designed to make your riding experience a pleasure. Carefully read this Owner's Manual before assembly and first ride. It will give you all the information necessary for assembly, adjusting, and maintenance of your bike.

YOUNG ELECTRIC works hard to guarantee you a bicycle that is properly assembled and correctly adjusted when it leaves our factory. Please contact our Help Center if you still have questions about your new bike after reading this manual. Our customer service staff will work to answer questions regarding assembly, performance, operation, service parts or general service.

Email: support@youngelectricbikes.com

About this Manual:

YOUNG ELECTRIC is not liable for accidents or injuries due to improper use of the product, failure to adhere to the instructions given in this guide, or modifications to the product. While every effort has been made to ensure that the information contained in the guide is accurate and complete, YOUNG ELECTRIC is not liable for any errors or omissions.

Keep this Owner's Manual in a safe place for future reference. All content in this manual is subject to change as we continually work to refine our products.

This manual contains warnings, cautions, and notes for your safety. Carefully read all of this information and share with others that may ride this bike before attempting to operate the bike for the first time. Give special attention to any information that has a warning or caution symbol before or next to it. Also pay attention to any information preceded by NOTICE as this will be important information that may not be related to safety.

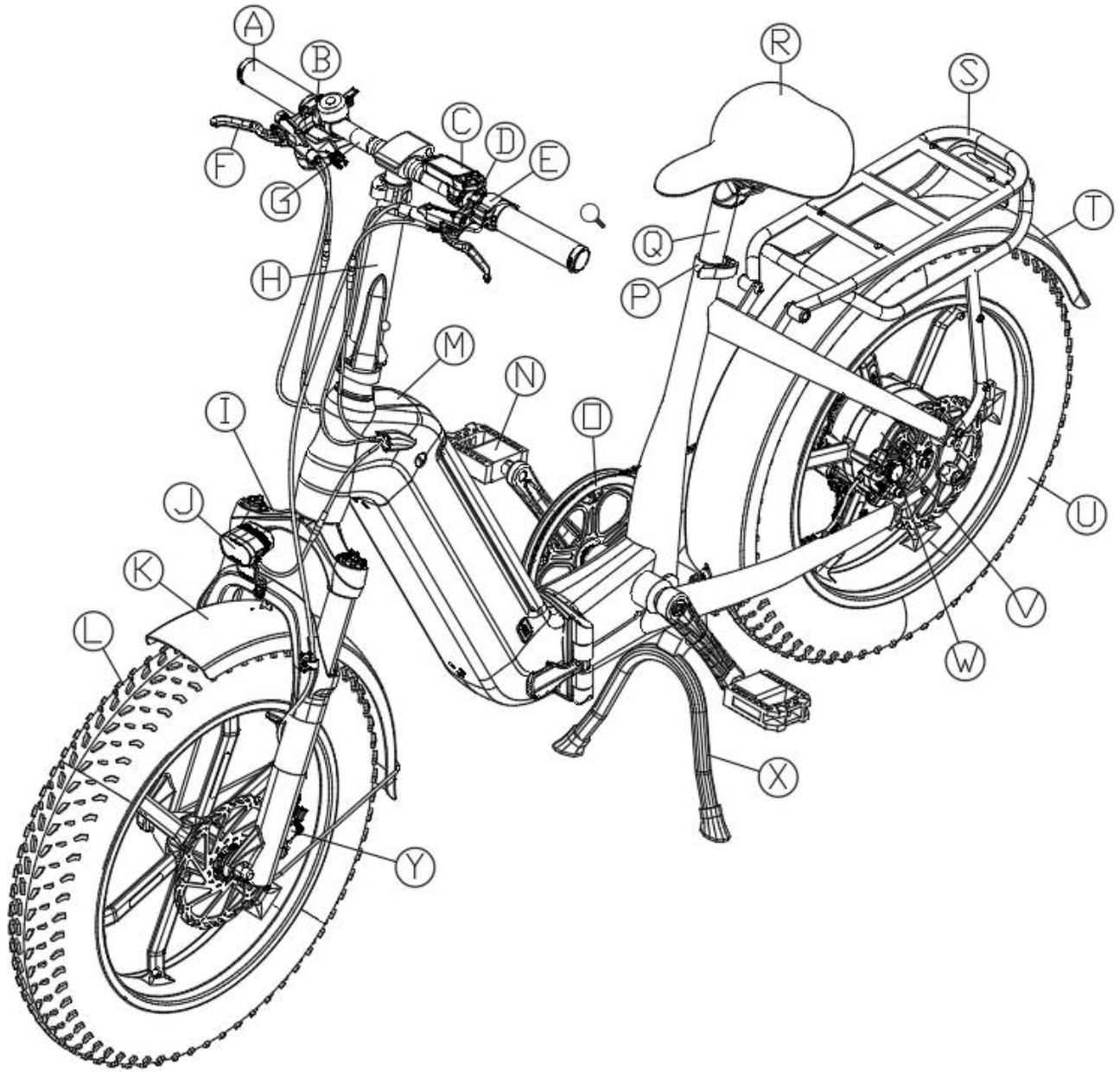
Always properly maintain and care for your bicycle so original quality and safety are retained.

Maintenance, adjusting and repairs

To reduce the risk of accidents and injury, regularly inspect your bicycle and have it repaired at our authorized distributors or after sales service shop. Assembly and adjustment of this bike may require special tools and skills. It is recommended that assembly and adjustment of this bike be completed by a certified, reputable bike mechanic if possible.

All users must read and understand this manual before riding their bike from A YOUNG ELECTRIC Bike. Additional manuals for components used on the bike may also be provided and should be read before installing or using those components.

OVERVIEW



A	Grip	H	Stem	O	Crank set	V	Rear Hub Motor
B	Shift Lever	I	Suspension Fork	P	Seat Post Clamp	W	Rear Disc Brake
C	HMI Display	J	Headlight	Q	Seat Post	X	Kickstand
D	Front Disc Brake level	K	Front Fender	R	Saddle	Y	Front Disc Brake
E	Throttle	L	Front Wheel	S	Rear Rack		
F	Rear Disc Brake level	M	Frame	T	Rear Fender		
G	Handlebar	N	Pedal	U	Rear Wheel		

SPECIFICATIONS

Model Name	YOUNG ELECTRIC E-FLOW
Max. Load Capacity	330 lbs./149 kg
Max. Speed	28MPH
Motor	48V 750W Brushless Hub Motor
Battery	48V 20AH (960Wh) Li-ion
Front Light	Electric System LED (12V-48V,1.6W; 35LUX)
Taillight	Dry Cell Battery (3V , 0.2W)
Tire	20''X4.0'' Front/Rear
Tire Pressure	5-30 P.S.I. (0.4-2.1 BAR ; 40-210 KPA)
Charger	48V 3Ah
Charging Time	Approx.8-10 Hours
Water Resistance	IPX5
Weight	85 lbs/38.6kg

SAFETY PRECAUTIONS

The following safety signal words indicate the following information is a safety message. The symbols are to alert you to potential hazards. Failure to pay attention to the safety message may result in property damage, injury or death. This manual contains many WARNING and CAUTION messages related to safety and the potential hazard. It also contains NOTICE messages that information the user should pay special attention to.

 **WARNING**

Indicates a hazard or unsafe practice that can result in severe injury or death if the user fails to read, understand and follow the safety information in this manual.

 **CAUTION**

Indicates a hazard or unsafe condition that could result in minor injury if the user fails to read, understand and follow the safety information.

 **NOTICE**

Indicates information that the user should pay special attention to but is not related to physical injury.

Always carry out a complete check before riding. Thoroughly read the safety section.

Electric Bicycles can be dangerous to use. The user or consumer assumes all risk of personal injuries, damage, or failure of the bicycle or system and all other losses or damages to themselves and others and to any property arising as a result of using the electric bicycle. Never disassemble, modify or replace electrical parts. Always wear an approved helmet when you are riding to protect your head in a fall. It is your responsibility to familiarize yourself with the laws of where you ride your YOUNG ELECTRIC bicycle and comply with all applicable laws.

If you are riding at night or in bad weather

Wear reflective and bright color clothing and/or a reflective vest. Check your bicycle headlight and white reflector are in place and function properly. Check your rear red reflectors and wheels reflectors are also in place. Extra precautions must be taken if you will be riding your bike in the rain. Braking distances increase during rain, visibility and tire traction are reduced. Allow extra stopping distance and take extra caution in the rain and on wet surfaces. Avoid riding the bike on ice and in snow.

Access to pathways, responsible riding and code of good riding.

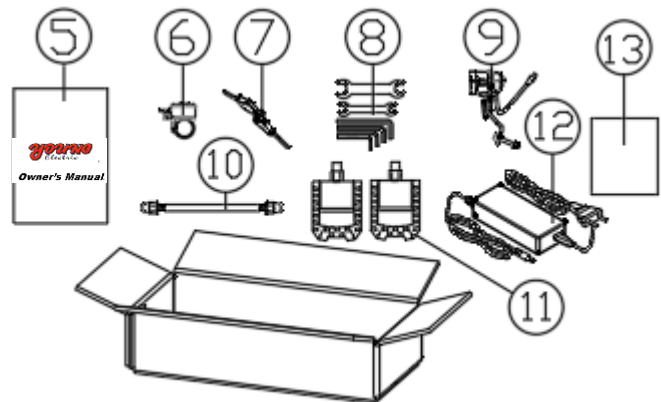
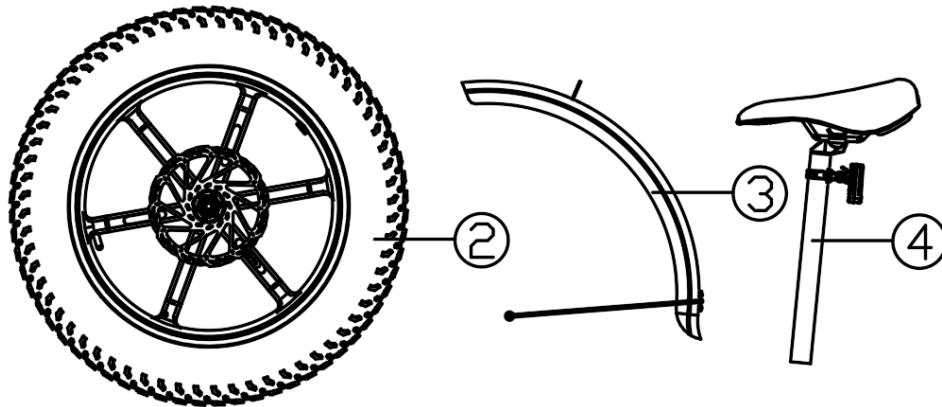
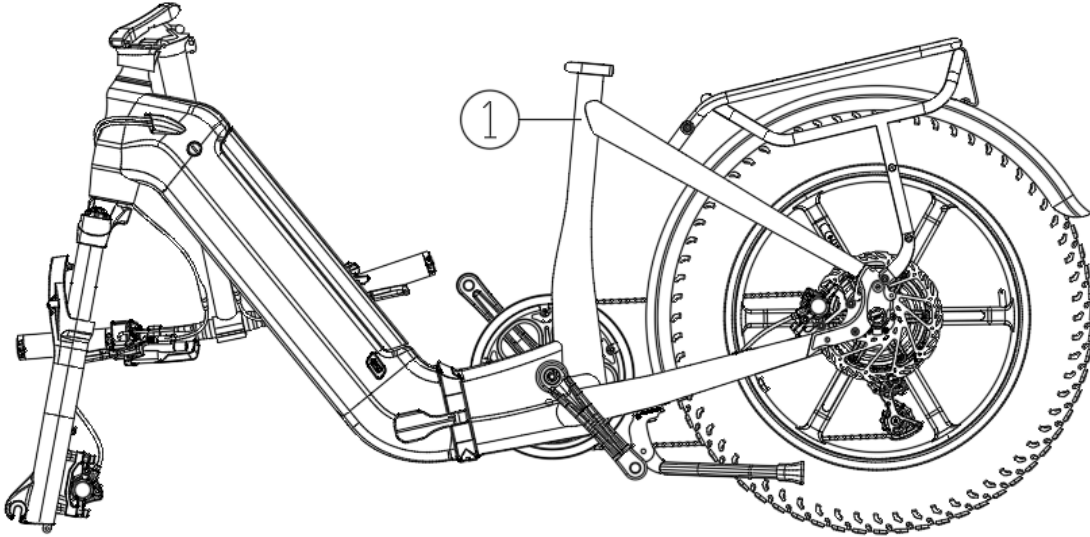
Do not consider access to pathways guaranteed. Your behavior on your next ride will influence accessibility to pathways in the years to come. Limit skidding, avoid muddy areas and remain courteous to walkers and horse riders.

 **WARNING**

All frames and components should be checked regularly. Inspect for signs of wear and/or essential breakage (cracks, corrosion, breaks). These are important safety verifications to avoid accidents, body injuries and that your bike continues to last and give you pleasure.

ASSEMBLY INSTRUCTIONS

● YOUNG ELECTRIC Bicycle Assembly Checklist



1	E-Bike	4	Saddle	7	Key x 2	10	Thru axle	13	Standard Fastener
2	Front wheel	5	Owner's Manual	8	Tools kit	11	Pedal		
3	Front fender	6	Bell	9	Headlight	12	Charger		

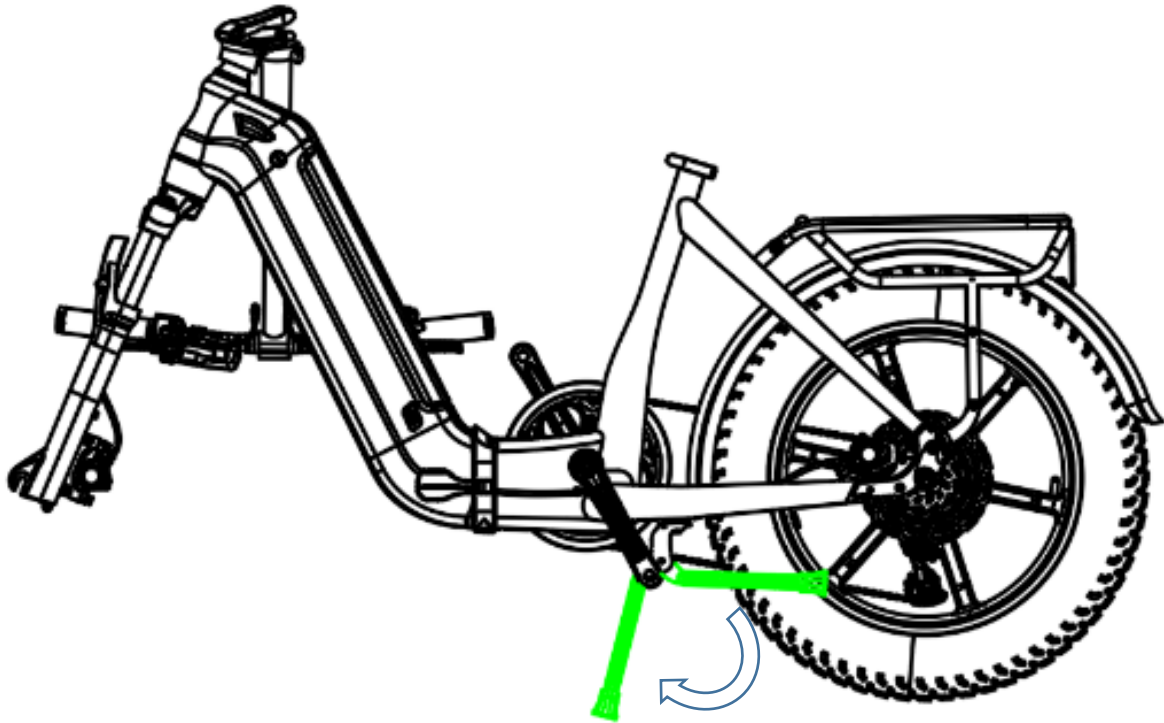
● YOUNG ELECTRIC Bicycle Assembly Guide

NOTICE

The following assembly information is only a general guide to assist during the assembly of YOUNG ELECTRIC bikes. It is not a complete or comprehensive manual of all aspects of the bike assembly, maintenance, and repair. Consult a certified bike mechanic to assist with the assembly, adjustment, repair, and maintenance of YOUNG ELECTRIC bikes.

Step 1: Unpack the E-bike

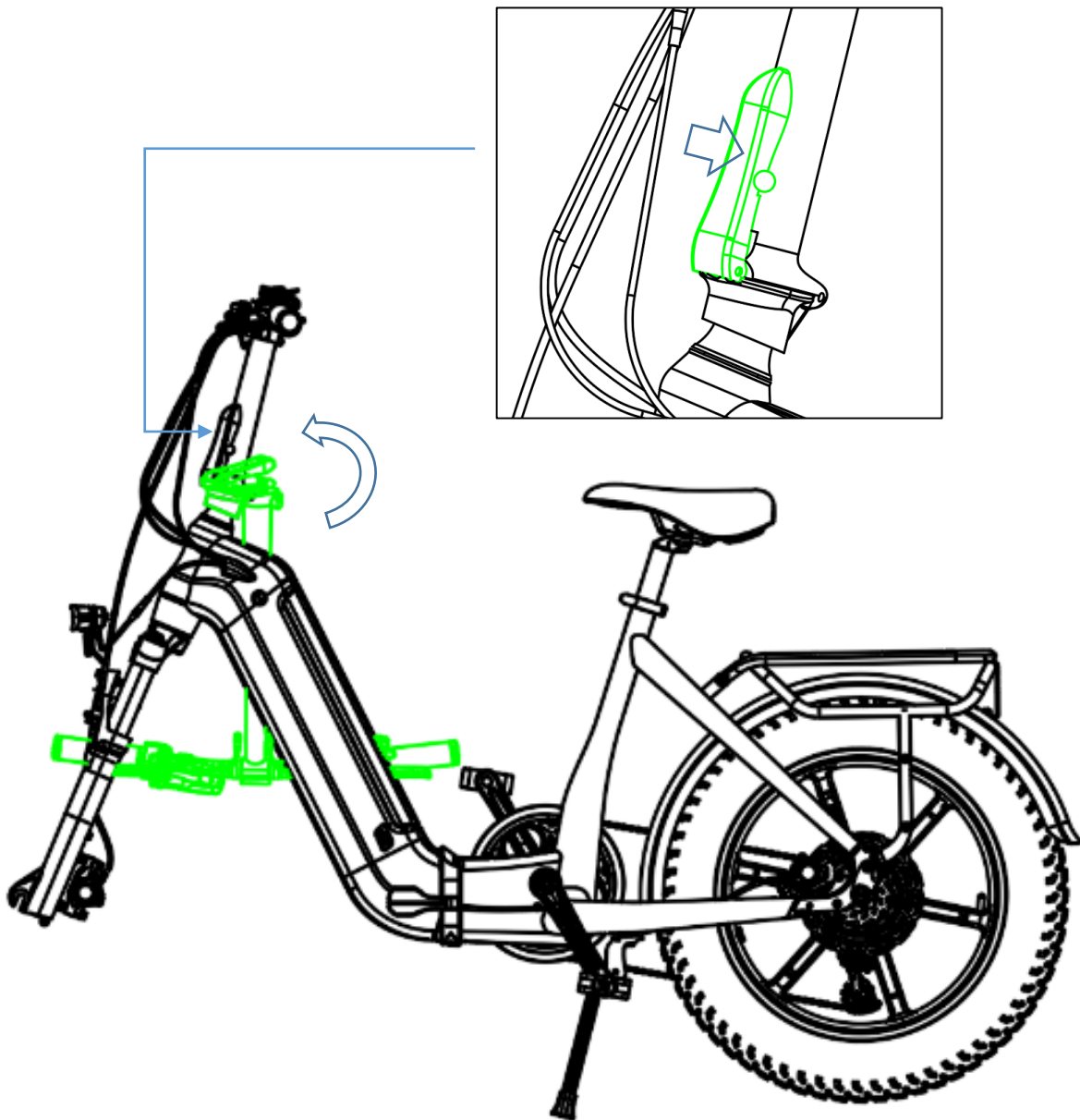
Open shipping carton and carefully remove your bike from the bottom tray and Open the kickstand. Carefully remove the packaging material protecting the bike frame and components. Please recycle packaging materials especially cardboard and foam whenever possible.



Step ①

Step 2: ATTACH STEM

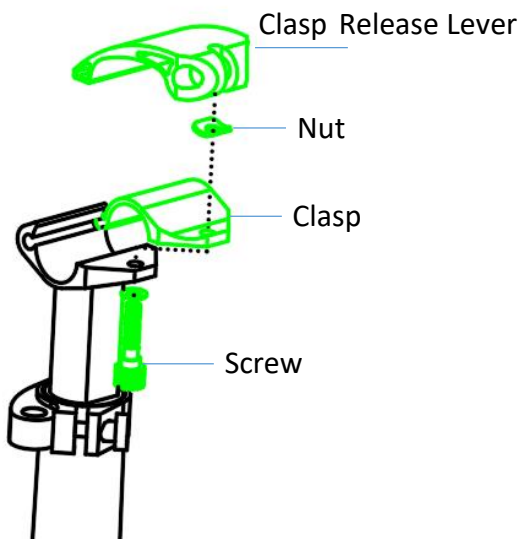
- Rotate the handlebar stem upward so it is upright, and the hinge is closed. Use caution to keep fingers, clothes, or anything else away from the hinge.
- Secure the stem clasp release lever. Fold the stem clasp release lever up and press toward the stem until the release lever clicks into place.



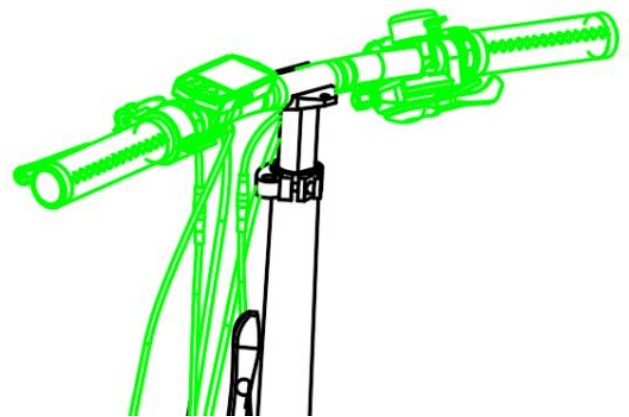
Step ②

Step 3 : ATTACH THE HANDLEBAR ONTO STEM

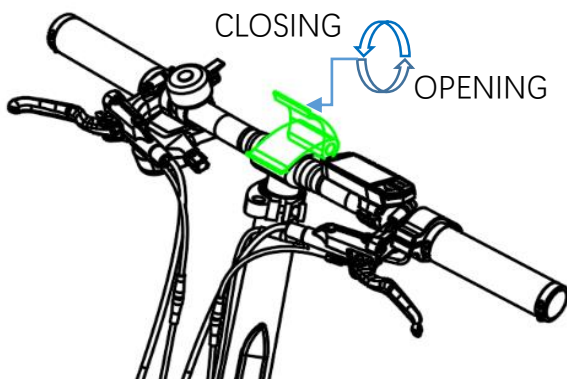
- ① Take down stem clasp
 - Open the stem clasp release lever up .
 - Unscrew the screw at the bottom and take down the clasp release lever ,keep the nut into the original position.
 - Slide the clasp to either side and take down it .
- ② Place the handlebar on the stem
 - Trace the front brake cable directly up from the front brake caliper to the left handlebar and ensure the cables and wires are not twisted.
- ③ Install the stem clasp and adjusting position and angle .



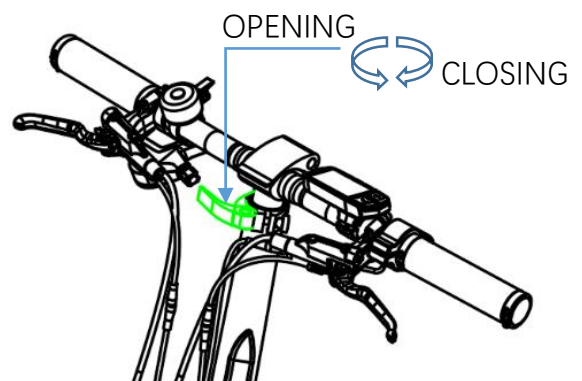
①



②



③



Step 3

Step 4: ATTACH THE FRONT WHEEL

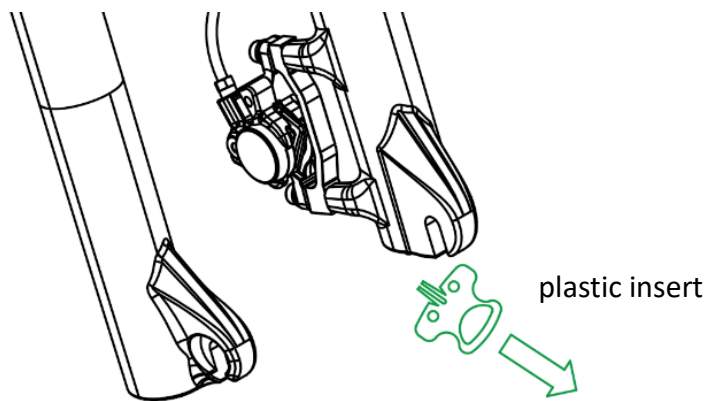
Remove the front axle bolt and shipping bracket from front fork. Remove plastic caps from front wheel hub. Remove the brake pad retaining clip from the front caliper. Insert the front wheel into the fork dropouts. Make sure the brake disc is centered in the caliper to avoid damage. Insert the thru axle into the front wheel hub and tighten.

WARNING

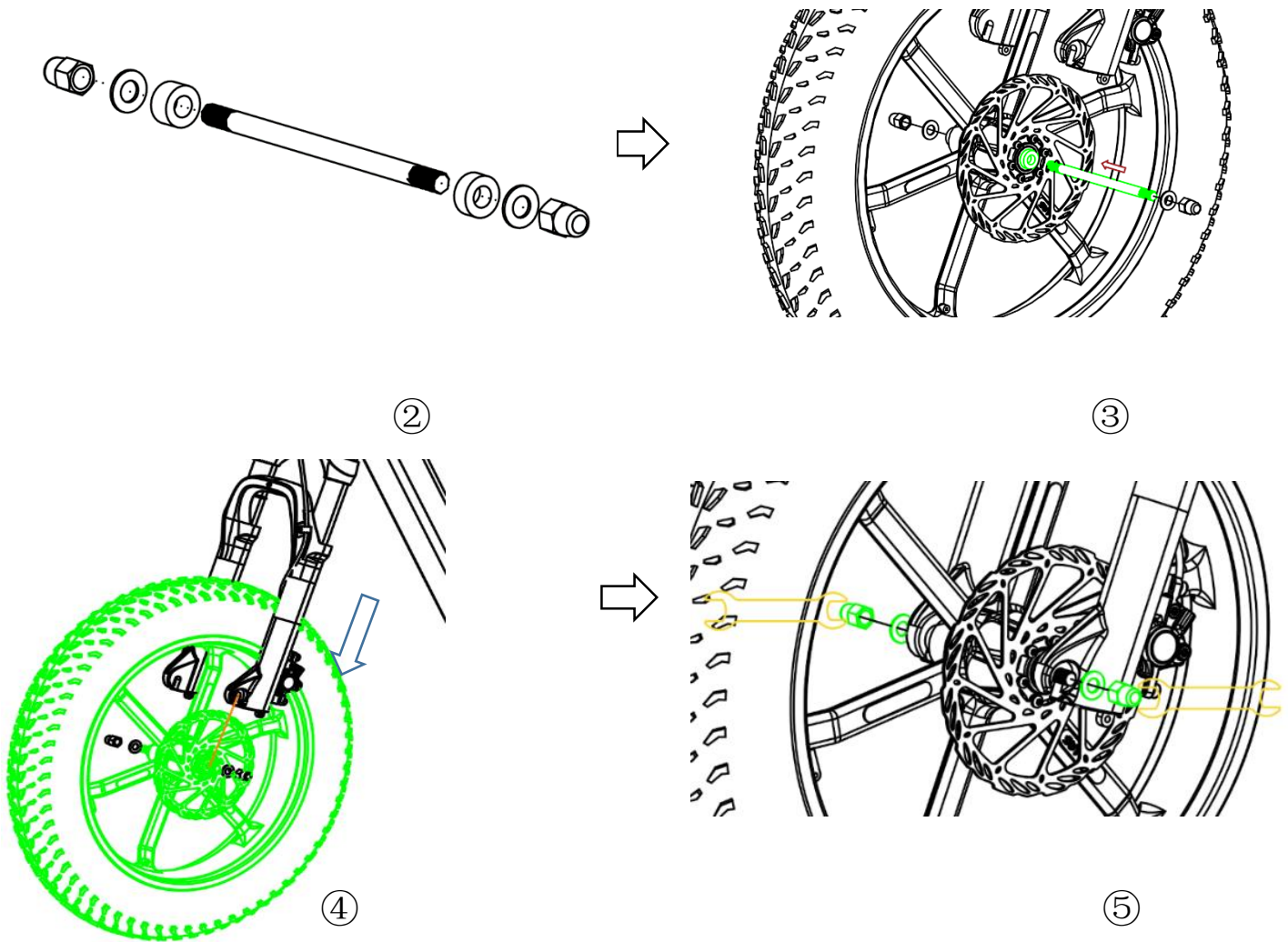
All the screws of the thru axle should be inspected before every ride to be sure they are fully closed and secure. Failure to properly close a quick-release lever can cause loss of control of the bicycle resulting in injury or death. Make sure the wheel is properly seated and the quick-release lever is properly closed.

● Installation guide

- ① Remove the plastic insert from the front brake caliper .
- ② Unscrew the nut and washer from the thru axle.
- ③ Install the axle into the front wheel hub axle. you are inserting the thru axle into the fork dropout.
Allow enough play so you can place the axle into the fork dropout. **Keep the thin washer fixed to the side of the disc rotor. Do not tighten the nut at this step.**
- ④ Fully seat the thru axle in the fork dropouts slots , Insert the disc rotor into the center of the disc brake caliper at the same time .
- ⑤ Use the 13-15mm wrench to tighten axle nut to 20-25 N.m . Make sure the washer is between the fork and the nut . **DO NOT OVERTIGHTEN !** Do not use a power tool as you can damage the axle threads .



①



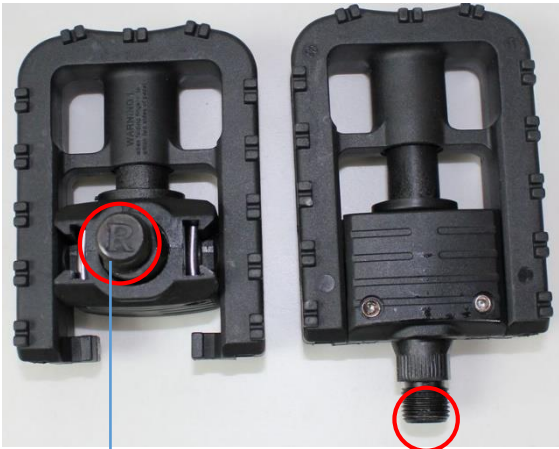
Step 4

Step 5: ATTACH THE PEDALS

⚠ NOTICE

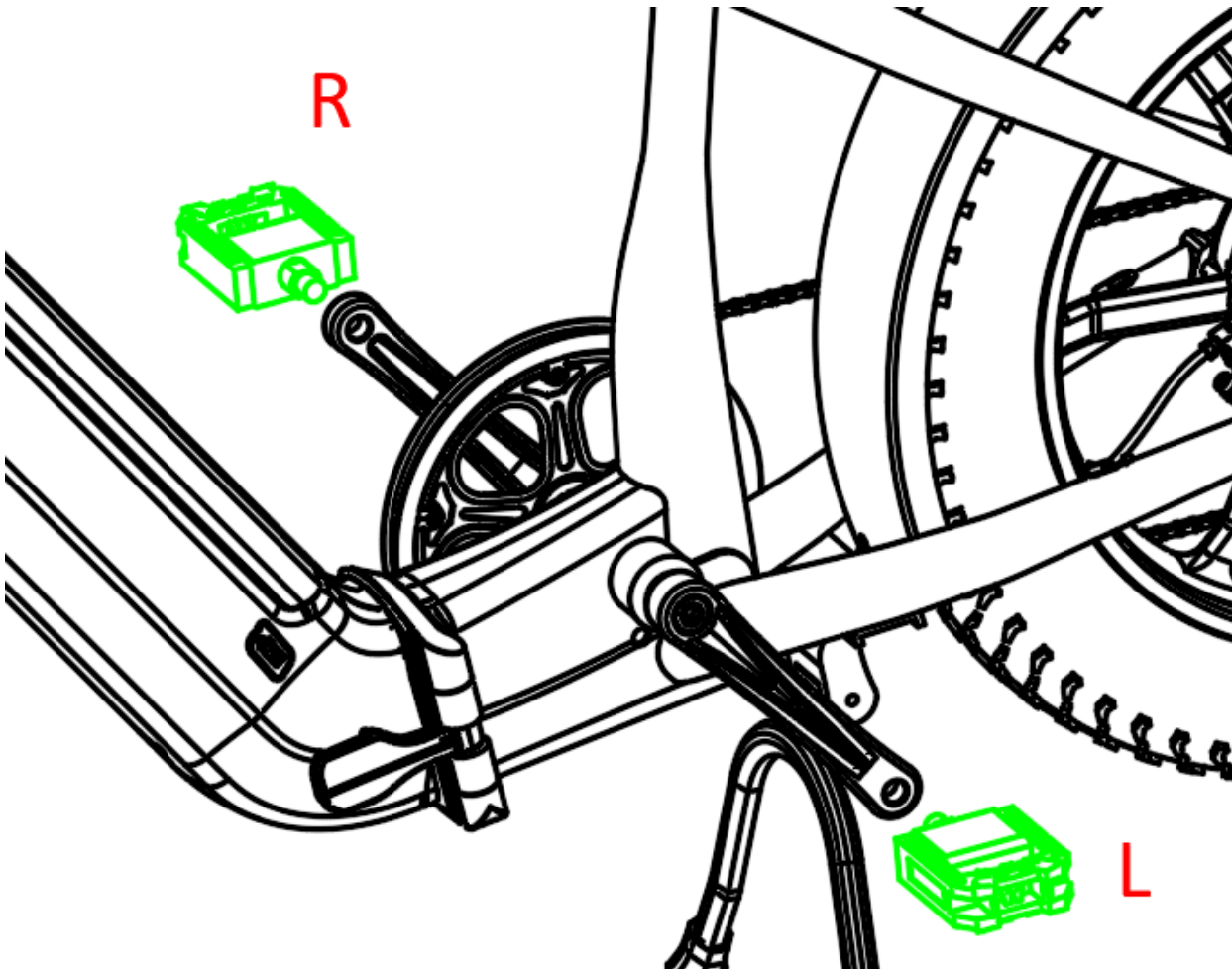
The pedals are marked “L” for Left and “R” for Right. Attachment of an incorrect pedal into a crank arm can strip pedal threads and cause irreparable damage. Visually match the R and L stickers on the pedal and crank arm before attaching the pedals. Before your first ride, please check to ensure your pedals are attached correctly. It is very important that you check the crank set for correct adjustment and tightness before riding your bicycle.

Pedals are designed to fold by pressing the pedal end directly toward the crank and then folding.



R

L



Step 5

Step 6: ATTACH THE FRONT FENDER AND HEADLIGHT

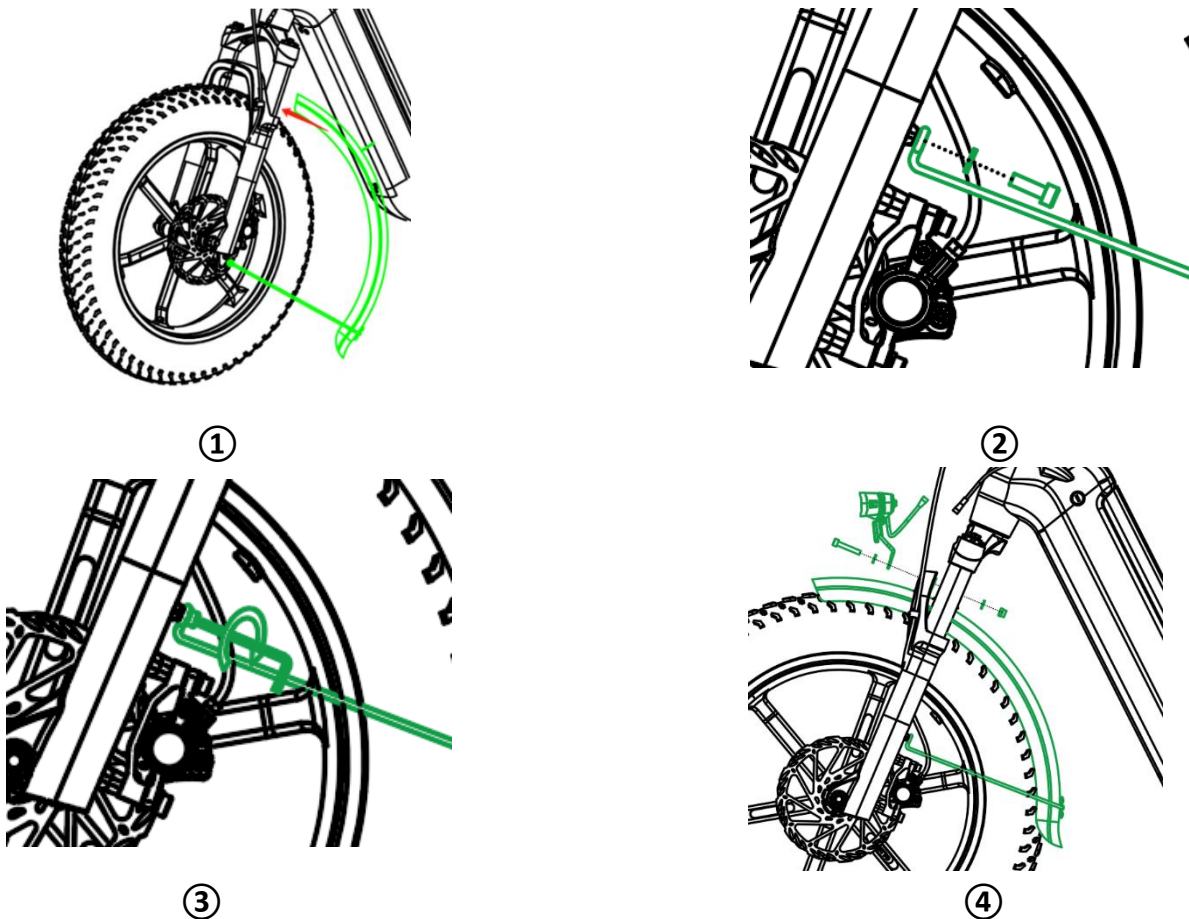
⚠ NOTICE

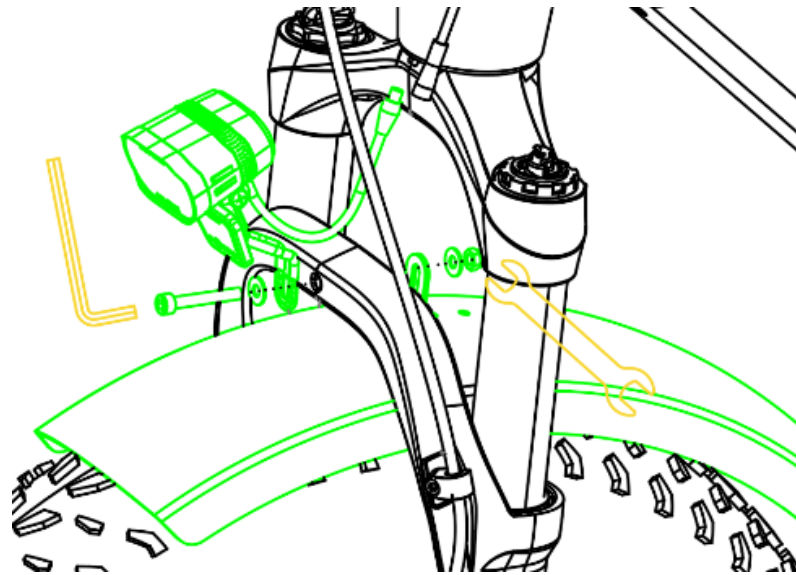
After plugging the waterproof connector of the cable, tighten the nut on the plug to be sure to align the upper arrow of the two connectors, and tighten the screw.

- ① Take the front fender and pass through the shoulder of the fork from the back of the front wheel.
- ② Loose screw on the side of fork and insert the screw through the hole of the fender struts.
- ③ Tighten the screws with M4 hex key.
- ④ Unscrew the nut and gasket at the end of the long bolt and position the headlight bracket so the bracket is on the inside of the frame.

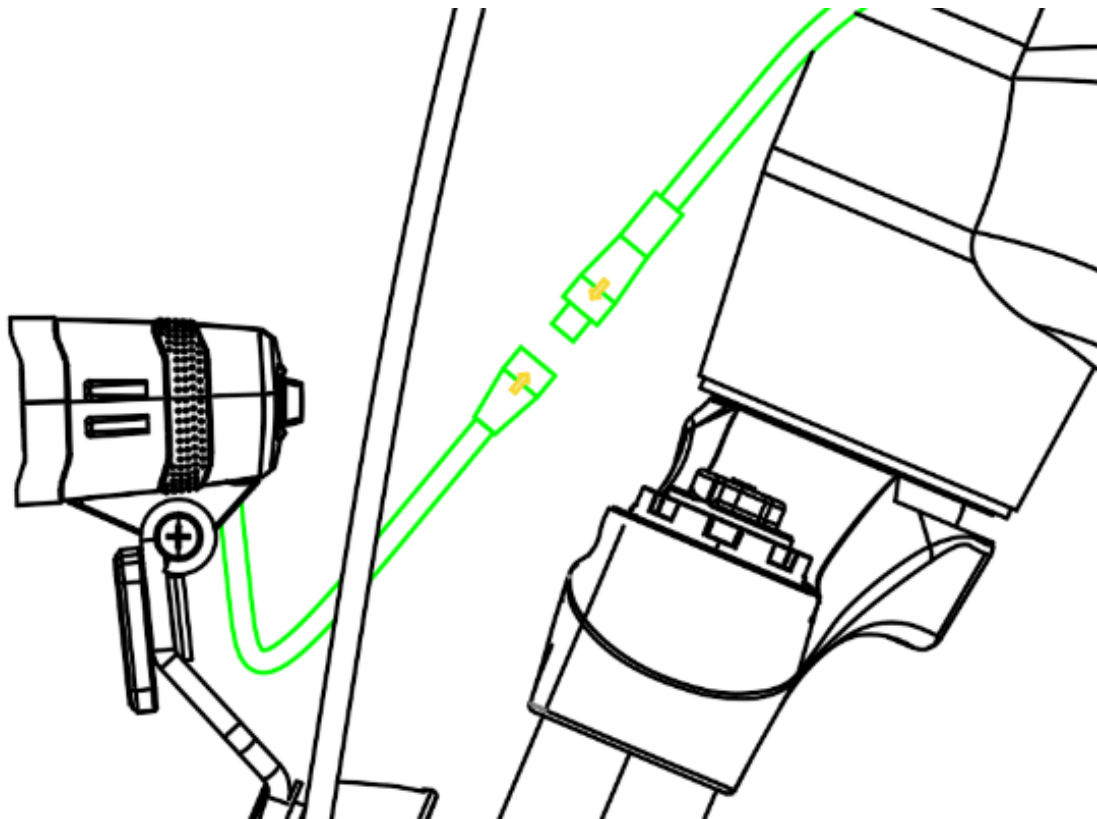
Position the front fender so the fender bracket is on the back of the fork. Align the hole in the bracket to the hole in the front of fork crown.

- ⑤ Pass the long screw through the hole in the fork along with the headlight bracket.
Tighten the screwed nut to the end of the long screw with M4 hex key and 10mm open wrench.
- ⑥ Connect Headlight : Keep the arrows aligned and insert the connectors plug.





⑤



⑥

Step ⑥

Step 7: INSERT SEAT POST AND ADJUSTED SEAT HEIGHT

- ① Unlock the quick-release lever and insert the seat post into the seat tube.
- ② Adjust the seat height up or down until the rider feels they have control of the bicycle and are comfortable.
- ③ Close the quick-release lever and lock the seat in place. If there is not enough pressure to hold the seat in place open the quick-release lever. With one hand on the quick-release lever and one hand on the adjustment nut, start to hand tighten the adjustment nut until you start to feel some resistance against the post clamp. Do not attempt to tighten by turning the quick-release lever. The quick-release lever is for closing, the adjustment nut is for adjusting the pressure.

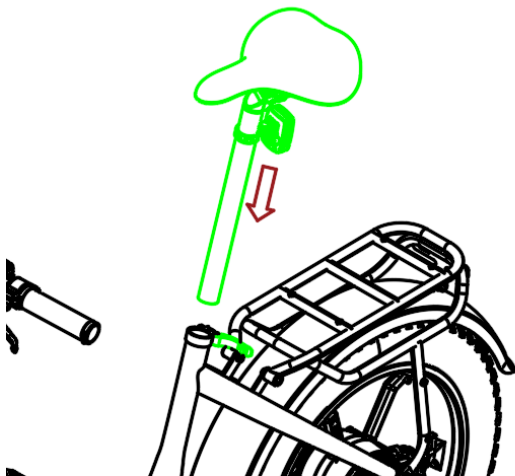
NOTICE

The seat assembly should be adjusted with the seat centered on the rails and level.

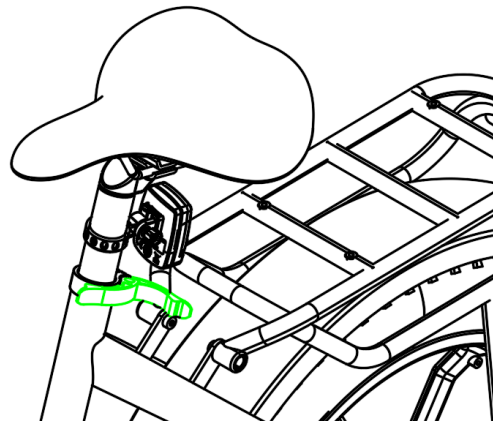
It is recommended to add some grease to all threads and binders on a bicycle, especially on the outside of the seat post. Otherwise it may corrode over time and not be able to be adjusted again.

WARNING

Improperly adjusted seat height could affect the rider's ability to reach the handlebar and pedals resulting in unexpected movement, loss of control and serious injury or death. Follow these guidelines when adjusting the seat height. Always ensure the seat post minimum insertion marks are below the seat clamp and cannot be seen. Ensure the seat clamp is locked and the seat cannot move.



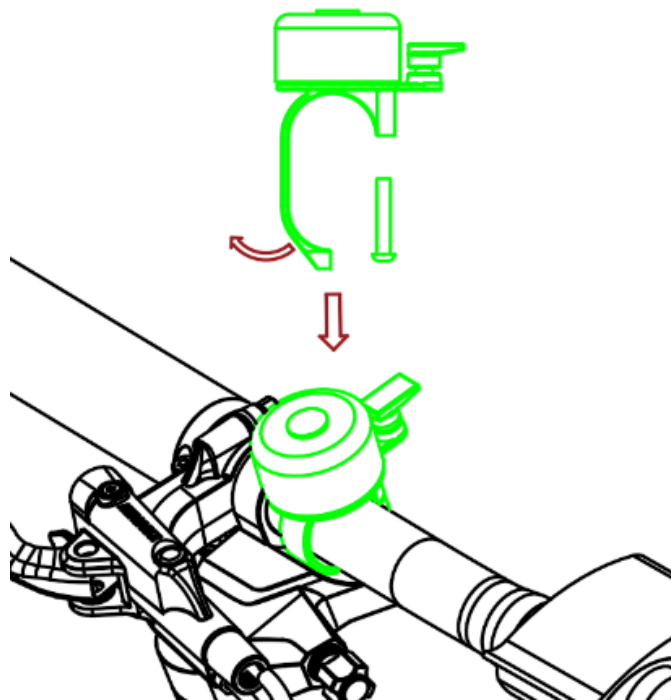
INSERT SEAT POST



ADJUSTED SEAT HEIGHT

Step 7

Step 8: ATTACH THE BELL



Step 8

Step 9 : FOLDING AND UNFOLDING THE HANDLEBAR STEM AND FRAME

⚠ WARNING

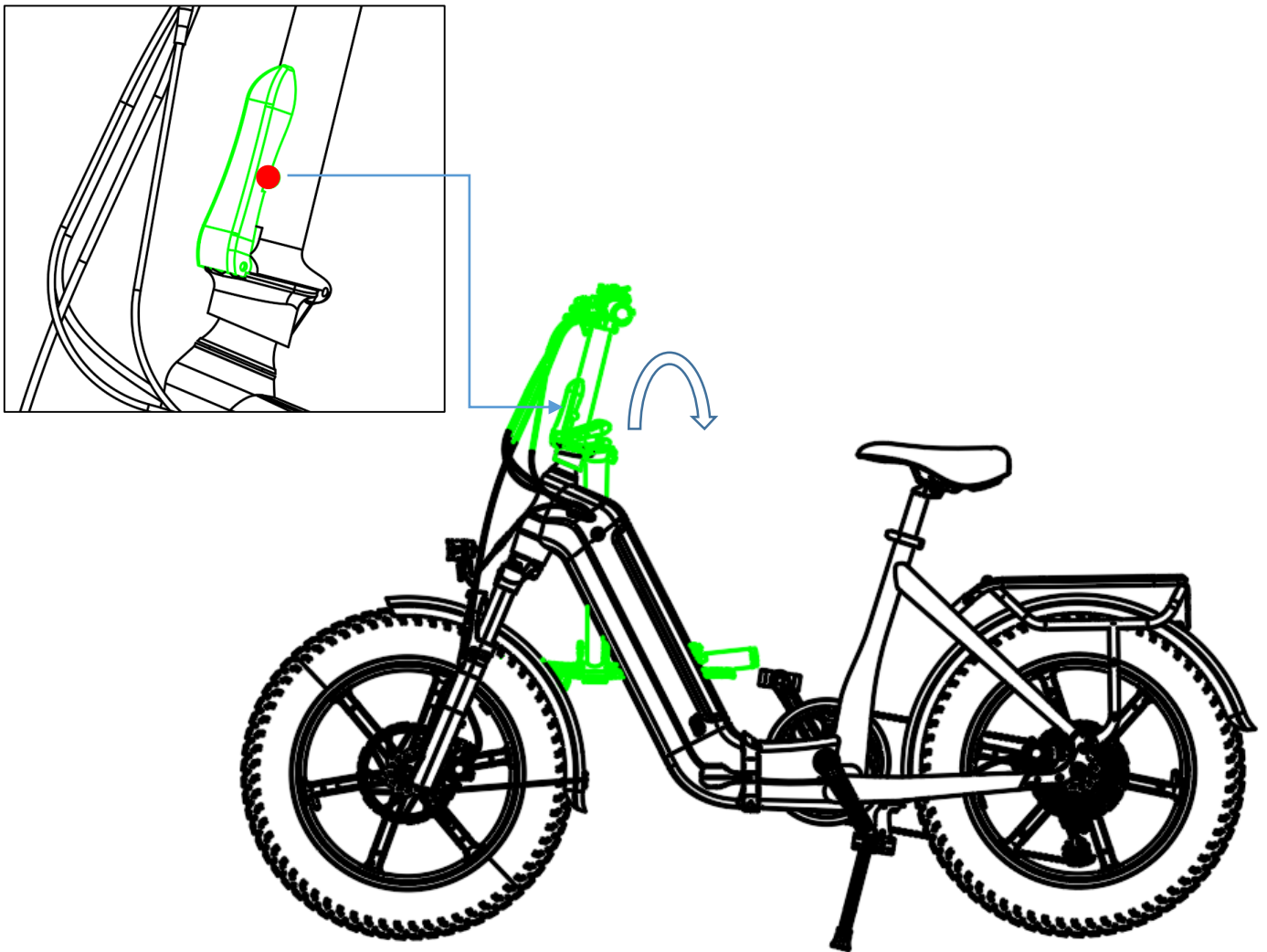
Before each ride, visually inspect the frame for proper alignment and ensure all hardware is properly secured. Move the folded bike by tilting onto the front wheel, or by lifting with care; get help if needed

Folding the Handlebar Stem for Storage:

- Press and hold the red button on the stem clasp release lever and push the stem clasp down at the same time.
- Fold the handlebar stem to the side, hinging away from the clasp.

Securing the Handlebar Stem in the Unfolded Position:

- Align the handlebar so it is upright and the hinge is closed, using caution to keep fingers, clothes, or anything else away from the clasp.
- Fold the stem clasp release lever up and press toward the stem until the release lever clicks into place. When properly secured, the stem clasp should not move.



Step 9

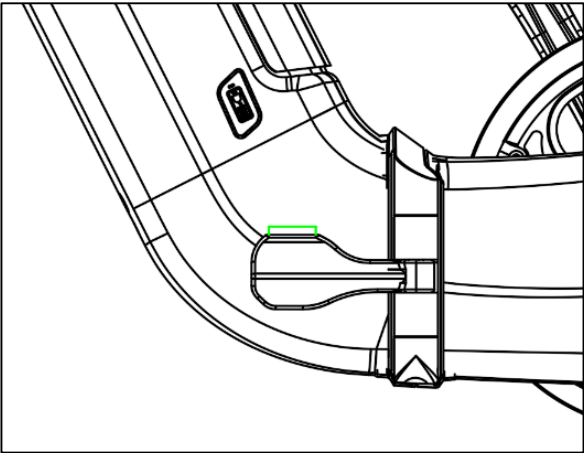
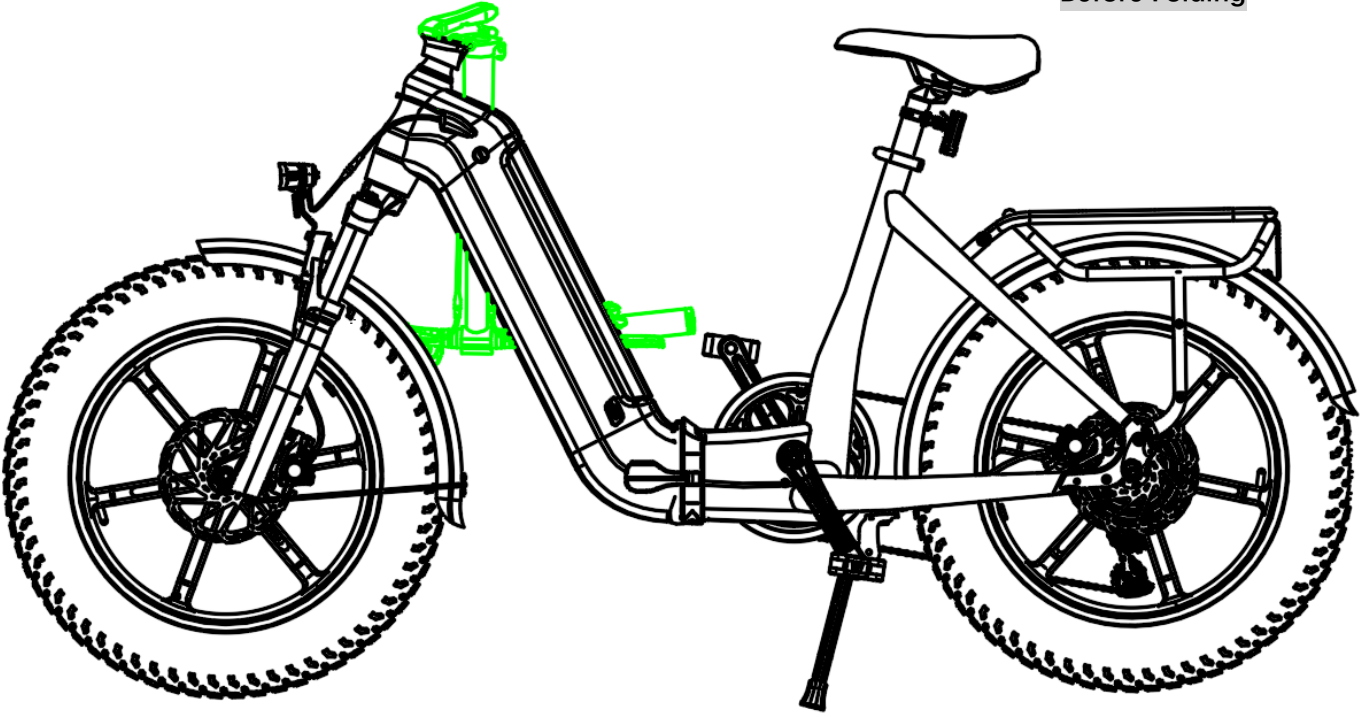
Folding and Unfolding the Frame

1. Stand at the right side of the bike and ensure the cranks are parallel to the ground.
2. Press down on the small locking clasp and simultaneously pull the lever out and toward the back of the bike.
3. Unhook the back of the latch to release the frame hinge lock.
4. Fold until both sides of the frame are next to each other, turning the front wheel slightly left to facilitate folding if needed.
5. Rest the bike on the frame stand under the bottom bracket. Secure the frame with the Velcro strap if desired.
6. Reverse the steps to unfold the frame and securely lock the central frame hinge.

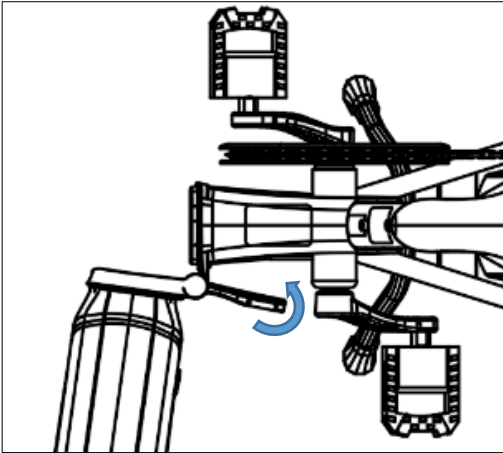
NOTICE

Use caution to keep fingers, clothing, etcetera away from the folding parts and potential pinch points. Always check. the frame folding mechanism latch and handlebar folding mechanism latch are locked before moving or riding the bike.

Before Folding



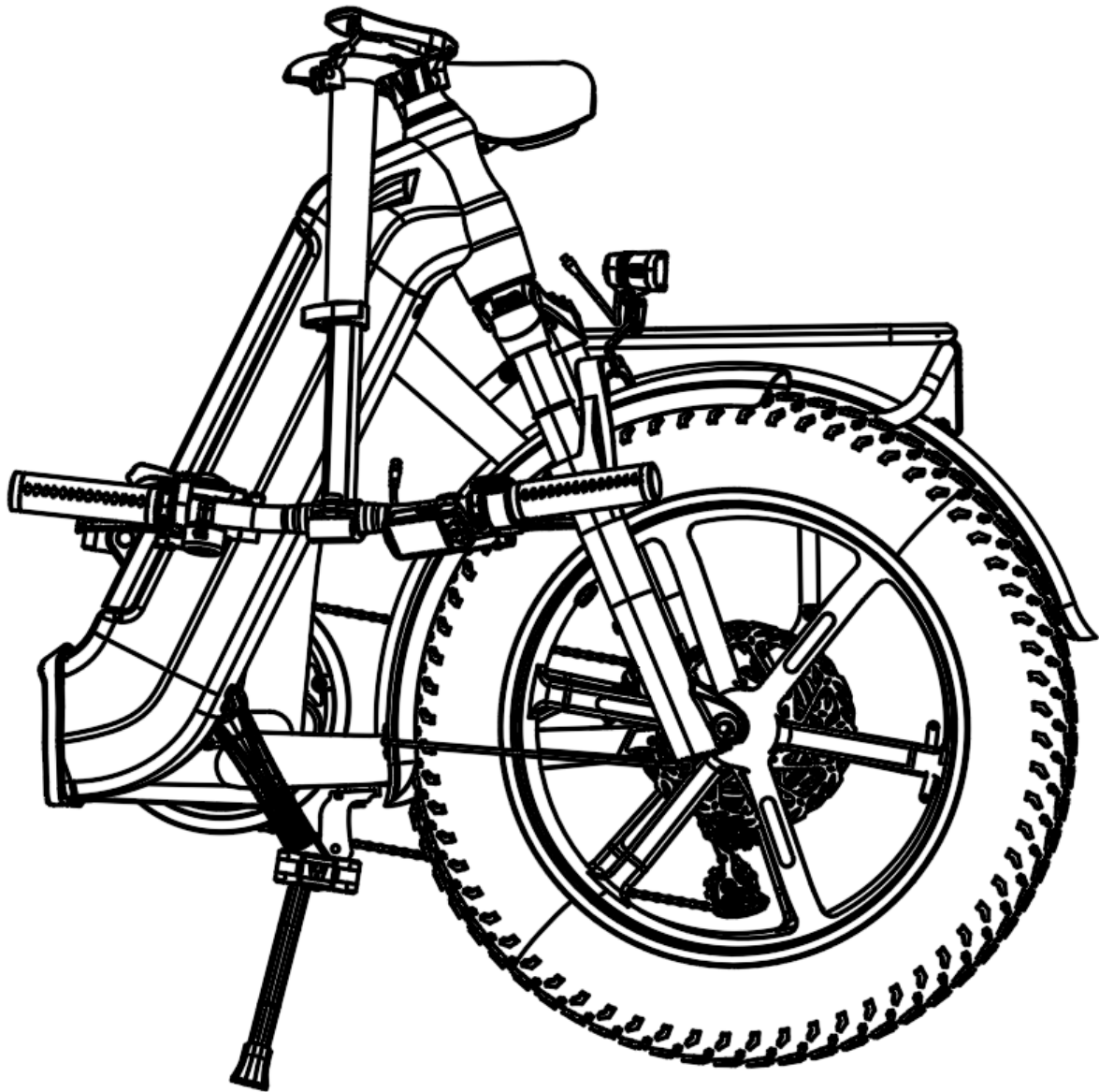
Pull the lever out



Keep the lever close to frame

Step 9

After Folding

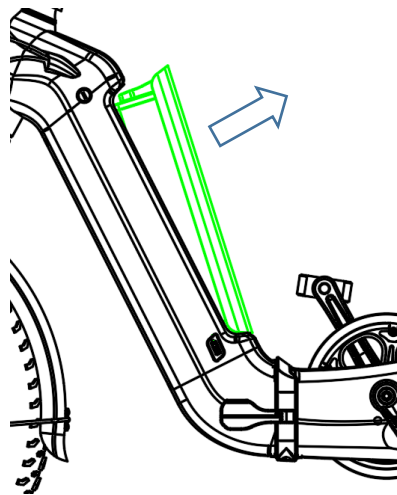
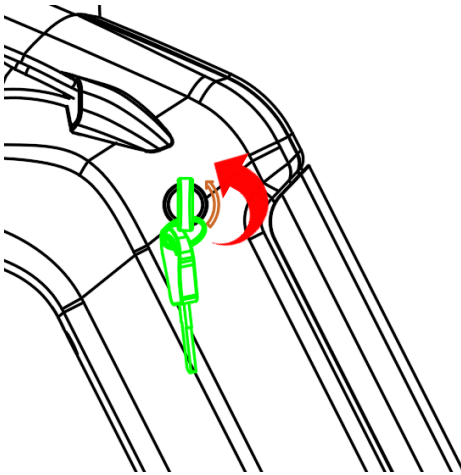


Step 9

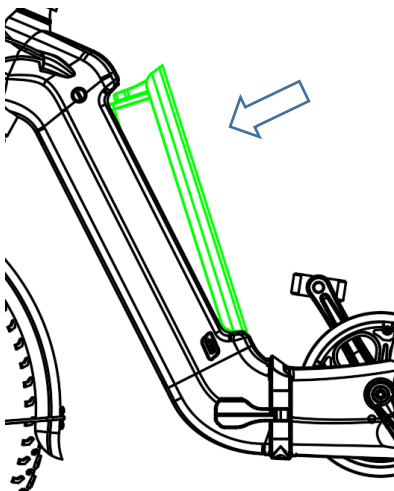
Step 10: BATTERY REMOVAL AND INSERTION

The battery must be installed by sliding the battery forward in the battery holder. The key locks the battery to the bike when the key is turned clockwise to the locked position. The battery must be locked when riding or it may fall out. The key does not have to be in to operate the bike.

- ① Insert the key and turn left to open the lock. As shown in the picture, carefully remove the battery.
- ② When installing the battery, first insert the low end of the battery into the internal slot of the downtube to ensure that the terminals at the bottom of the battery and the slot inside the downtube are inserted smoothly. Then push the upper end of the battery into the downtube and turn the key to the right to lock it.




Removing ①




Installing ②



Step 10

Step 11: TURNING THE E-BIKE ON AND OFF

ON : By pressing and holding the button  for 2 seconds, the display will start to work and the working power supply of the controller will be turned on. If YOUNG ELECTRIC bikes is not used for more than 5 minutes, the display will be automatically powered off.

OFF : In the power-on state, by pressing the button  for 2 seconds , YOUNG ELECTRIC bikes will be powered off. In the power-off state, the display will no longer use the battery power, and its leakage current will be less than 1uA.

Thumb Throttle : Bike can works on the assist level 1-5 except on 0 level when use the thumb throttle.

Headlight : on/off; By pressing and holding the button  for 1 second, the headlights are turned on (with the support of the controller), the headlight indicator icon lights up . Press and hold the button  for 1 second again , the headlight turns off.



Assist Level Button



Power ON/OFF



Headlight Button



Function Setting Button

Step 11

Step 12: USING THE MOTOR ASSIST LEVELS

- **Motor Assist Mode:**



1. Throttle Assist Mode (No Assist on PAS 0); The power output is determined by the rotation of the thumb throttle. None of the PAS level are associated with the throttle when using the throttle assist mode .
2. Pedal Assist Mode (PAS 1-5) ; The power output from motor gradually increases on PAS 1-5 level. The maximum power output from motor will be on PAS 5 level and the minimum power output from motor will be on PAS 1 level.

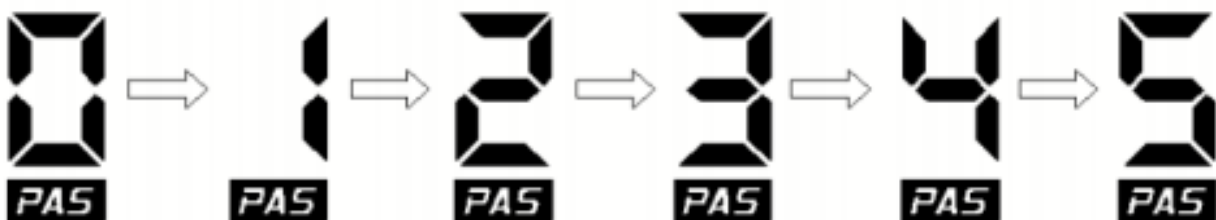
 **NOTICE**

Note: Every pedal-assist level (PAS 1-5) has the highest speed limitation as below, when the speed is over the highest speed, the motor will power off.

Pedal Assist Level	Max Speed	Max Range
PAS 1	14 Mph	90 miles
PAS 2	15 Mph	54 miles
PAS 3	20 Mph	51 miles
PAS 4	25 Mph	38 miles
PAS 5	28 Mph	35 miles

- **PAS Assist Level Changing:**

By pressing the button /, the e-bike assist level will be switched to change the motor output power.



BATTERY CHARGING & STORAGE

● Battery Charging

⚠ NOTICE

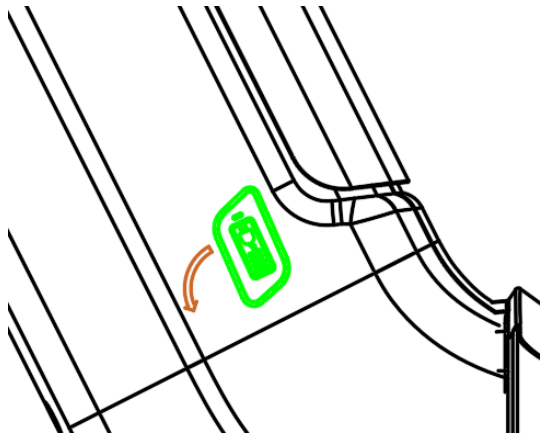
Only use the battery charger that is provided with your e-bike to charge the battery. Connect the charger input plug (110/240-volt plug) to the power outlet.

The red indicator light turns on and will remain red until it is fully charged. The indicator light turns green once the battery is fully charged and please unplug the AC plug from power outlet first.

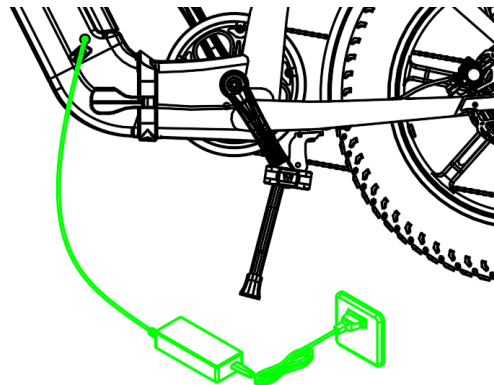
- ① Open the charger cover.
- ② Plug the charger into the battery's charging port, Insert the charger probe into the charger port on the e-bike battery before plugging charger into power outlet.
- ③ Insert the pronged end of the battery cord into the battery charger. Insert the AC plug into an AC outlet.

The YOUNG ELECTRIC battery may be charged while on the bike or removed and charged at a location away from the YOUNG ELECTRIC bike in a dry location.

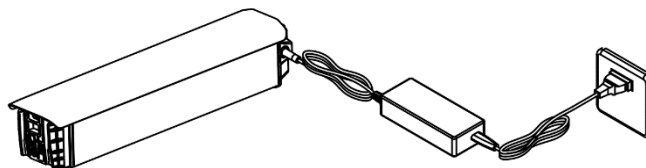
Plug the charger into the battery's charging port before plugging charger into power outlet .



①



②



③

● Battery Storage

CAUTION

- Deep discharge of the battery may cause the internal short circuit. Heating the battery to very high temperature may cause fire.
- Avoid deep discharge during the use and storage of battery.
- When not in use, the battery shall be fully charged once every 2 months at least.
- Do not carry a deep-discharged battery on the E-bike.
- If the E-bike or the battery is not used for a long time, comply with the following instructions:
 - a. Do not store the battery in the environment with temperatures below -20°C (-4°F) or above 45°C (113°F).
 - b. Do not expose the battery in an environment with fluctuating temperature. The ideal storage temperature range is between 10°C (50°F) and 25°C (77°F).
 - c. Protect the battery against moisture to avoid the corrosion of electrical contacts. It shall be stored in a dry environment.
 - d. Do not store the battery near the flammable items.
- The battery will switch to offline in the following cases:
 - a. E-bike is not in use for 2 months.
 - b. The battery is completely depleted and/or is not charged for 2 months.
 - c. Completely charge before returning battery and bike to normal use.

● Battery Information

Follow these instructions to guarantee a longer battery life.

- Ideally, the battery shall be charged at ambient temperature close to 20°C (68°F). Battery should be close to ambient temperature before starting charge cycle.
- Avoid frequent full discharge. Battery life is improved with only partial discharge. Lithium-Ion battery cells used in your battery do have memory that can reduce battery capacity. Regardless, if battery is in-use or not, the cell oxidation will be caused by the usage and aging, and the battery capacity will be reduced as battery becomes old.
- Deep discharge will cause irreversible damage and capacity loss for the battery. If the battery is not used for a long time, it must be fully charged at least once every 2 months.
- Do not put the battery in water.
- The battery and charger shall not be repaired. Do not try to disassemble or modify the battery or charger.
- Do not use a battery with a damaged case.
- Keep the battery away from children.
- Stop using the battery immediately if become hot to touch, dissipates a strong odor, or has a distorted housing.

● Battery Charging Information



- A damaged, wet, or dirty power cable or socket may cause electric shock that can be fatal injury. Avoid using dirty, wet, or damaged power cables.
- Stop charging battery immediately if it becomes too hot to touch, emits a strong odor, or has any other signs of overheating.
- When charging, ensure no flammable material is near the battery since it may generate heat.
- Put the charger and battery on a non-flammable surface for charging. To charge a battery installed on the Electric bicycle, put the Electric bicycle in an environment with no flammable materials nearby.
- Do not charge the battery on a carpeted floor.
- Do not cover the battery and charger during charging.
- Use the battery charger provided with the product only.
- Use a dry and undamaged power cable and charger only.
- Replace a damaged power cable or charger immediately.
- Before connecting a power cable, remove foreign matters at the charger port, such as dust, ice, and snow.
- Applying the other charger which is not provided by the product may cause battery overheating and explosion.
- When not in use, the battery shall be fully charged once every 3 months at least.
- Do not expose the battery in the environment with storage temperatures below -20°C (-4°F) or above 45°C (113°F). Note: The temperature above 60°C (140°F) may cause the internal structure overheating, especially in the environment under direct sunlight.
- Do not use the charger in a humid environment or in the environment with temperatures below -10°C (14°F) or above 40°C (104°F).
- Stop charging battery immediately if it becomes too hot to touch, emits a strong odor, or has any other signs of overheating.

•

● Charger Information

The provided charger is suitable for the voltage range of 100-240V. Switching the voltage range of the charger is not required as it will automatically detected supply voltage. There is not any switch on the charger. Unplug the charger when not in use.

 **WARNING**

Charge the battery only with the charger originally supplied with the bike or a replacement Young Electric charger. Never use an aftermarket charger which can result in battery damage, property damage, serious injury, and/or death.

● **Charger Connection**

Put the battery on a solid non-flammable surface when in use. The battery and charger should be laid flat on surface so ports and plugs are horizontal. Otherwise, the charge port and plug connecting to the socket may be damaged in other ways. To check the present Battery Capacity, turn on the system, and the information will be shown on the instrument. Unplug battery and charger when not in use.

Connect the charger to the battery, and the indicator on the charger shows red light to indicate that the battery is charging. After charging is complete, the indicator on the charger shows green light. There is not any switch on the charger. Disconnect the battery when it is completely charged. Do not push the bicycle pedals when the battery is charging on the bicycle. The charge socket on the battery may be damaged. The battery can be charged when on or off the bicycle but must not be moved during charging cycle.

 **WARNING**

If battery pack is partially or totally submerged in water it will suffer damage that compromises its safety and stability. This damage can be even more severe if battery pack was submerged in salt water. Attempting to charge a compromised battery can lead to severe injury or death.

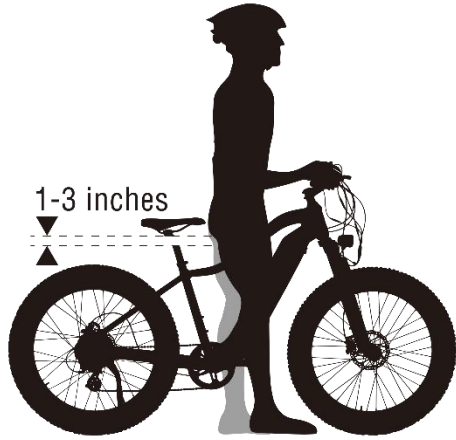
UNDER NO CIRCUMSTANCES should you attempt to charge a battery pack that has been partially or totally submerged in water. Attempting to charge a compromised battery can result in a very dangerous fire that generates significant heat, toxic gasses and is extremely difficult to control.

Check your bike as soon as possible after partial or complete submersion. Most likely its electrical system has been damaged and is unsafe to use. Carefully remove battery pack from bike and take it to a safe location OUTDOORS, away from flammable materials.

To properly dispose of the battery, place in clear plastic bag and take it to your municipal household hazardous waste drop-off center. To find the closest facility in your area check with your local City Hall or Fire Department or go to <https://www.call2recycle.org/locator/>.

Failure to adhere to these safety warnings can lead to severe injury or death.

PRE-RIDE CHECK



PROPER FRAME SIZE:

For safe and comfortable riding there should be a clearance of at least 1-3 inches between the crotch of the intended rider and the top tube of the bicycle frame, while the rider straddles the bicycle with both feet flat on the ground. If there is less than 1-3 inches clearance, the bicycle is too large for the rider and should not be used.

Check the following every time before you mount your bike:

Safety Check	Basic Steps
Wheels and Tires	<p>Ensure the tires are inflated to the recommended limits specified on tire side wall. Inspect tires to ensure tread is good, have no bulges or cuts, and have no embedded objects that may puncture it.</p> <p>Ensure rims have no damage, run true, do not wobble, have dents or kinks.</p> <p>Ensure all spokes are tight and are not broken.</p> <p>Make sure axle nuts or quick release levers are tight. Ensure the locking lever of all quick release assemblies are secure.</p> <p>Ensure that reflectors are securely in position on both wheels.</p>
Brakes	<p>Ensure front and rear brakes function properly.</p> <p>Test that the brake levers move freely, are firm, and do not touch the handlebar grips when pulled with maximum hand force.</p> <p>Ensure the motor cutoff and brake light functions properly.</p> <p>Ensure the brake pads are positioned correctly, move freely, and do not have excess wear.</p> <p>Inspect the brake rotors to make sure they are not damaged, have objects tangled in them, or have excess wear.</p> <p>Ensure brake cables are adjusted correctly, are lubricated, and have no obvious damage.</p> <p>Ensure brake caliper fasteners are secure, they are not leaking fluid, and do not have damage.</p>
Steering	<p>Ensure the handlebars and stem are correctly adjusted, fasteners are tight, and turn freely.</p> <p>Ensure the handlebars and stem are set correctly in relation to front wheel.</p>

	<p>Ensure both handlebar grips are secure and do not have excess wear.</p>
Chain	<p>Ensure the chain is clean, well lubricated, and runs smoothly. Make sure chain does not make any unusual noises or squeaks. Make sure there is no foreign material lodged in the chain links or excessive corrosion.</p>
Bearings	<p>Ensure the bearings in the headset, lower bracket, pedals, and both wheels turn freely. Inspect for excess movement, rough feeling, grinding, rattling, and noise.</p>
Cranks and Pedals	<p>Make sure both pedals are securely tightened to the crank arms. Ensure the pedals turn freely, not bent or damaged in any way. Make sure the crank arms are securely fastened to bottom bracket shaft and are not bent.</p>
Rear Derailleur, Shifter, and cable	<p>Check that the derailleur is adjusted and function properly. Ensure the shifter is functioning properly when shifting up and down through gears. Ensure the chain is not making noise in all gears. Ensure the derailleur is moving freely. Does not have any object tangled in it, and shift cable tightly secured to it. Ensure the shift cable is not damaged in any way and is properly adjusted.</p>
Frame, Fork, and Seat	<p>Make sure the frame and front fork are not bent or damaged in any way. Inspect frame and fork for any cracks in the paint at welded joints. This can indicate damage to the frame or a broken weld. Make sure the seat is properly adjusted and the quick release is securely tightened. Ensure both wheels are evenly spaced in the front fork and rear frame.</p>
Motor and Rear Wheel Assembly	<p>Ensure the hub motor spins smoothly in both directions. Ensure the motor power cable is not damaged and secured well to the frame. Ensure the hub motor bolts are tight and there is no sign of damage to the rear drop outs. Ensure the spokes are tight and do not appear to be damaged in any way.</p>
Battery	<p>Make sure the battery is fully charged before using the bike. Inspect the battery to ensure there is no damage to the battery, the electrical connectors are in good condition, and the mounting features are in good condition. Insert battery into lower mount and rotate it into the upper mount. Make sure battery is held firmly in position by lock. Pull lightly on the battery to make sure it will not come out after locking to frame. Turn on the HMI display to confirm battery is engaged and fully charged.</p>

<p>Electrical Cables and Lights</p>	<p>Inspect all visible electrical connectors to confirm they are connected completely. Make sure all electrical cable grommets are in the proper position to prevent damage to electrical and mechanical cables.</p> <p>Ensure insulation on cables is not damaged and there are no exposed wires. Carefully inspect cables that pass under bottom bracket to make sure cables are not damaged under the bike.</p> <p>Turn on the bike to ensure the headlight, taillight, and brake lights are functioning properly.</p>
<p>Accessories , Other, and PPE</p>	<p>Ensure all reflectors on bike are properly secured and visible.</p> <p>Ensure rear rack and any other items are securely fastened to the frame.</p> <p>Ensure the fenders and mounting hardware are secure.</p> <p>Make sure the kick stand is functioning properly and fasteners are tight.</p> <p>Inspect the helmet and any other PPE to ensure they are not damaged and function properly.</p> <p>Ensure the rider is wearing a helmet, other required PPE, and is familiar with riding laws.</p>

HMI DISPLAY CONTROL

WARNING

When riding the Electric bicycle, using the Power Assist or Controls may distract you. It may reduce your control on the E-bike and cause unexpected injury. The components should only be accessed under proper traffic conditions. Access the information after parking the E-bike in a safe place. Top speed 20MPH(32KM/H) by throttle only , Top speed 28MPH (45KM/H) by pedal only.

Changing Power Assist level on a slippery surface could cause you to lose control. Avoid changing Power Assist levels when on slippery surfaces. Reduce speed and use extra caution if level must be changed when on slippery surface.

1. Appearance



● Button definitions



Assist Level Button



Power ON/OFF





Headlight Button



Function Setting Button

● Power on/off


By pressing and holding the button , the display will start to work and the working power supply of the controller will be turned on. In the power-on state, by pressing the button , YOUNG ELECTRIC bikes will be powered off.

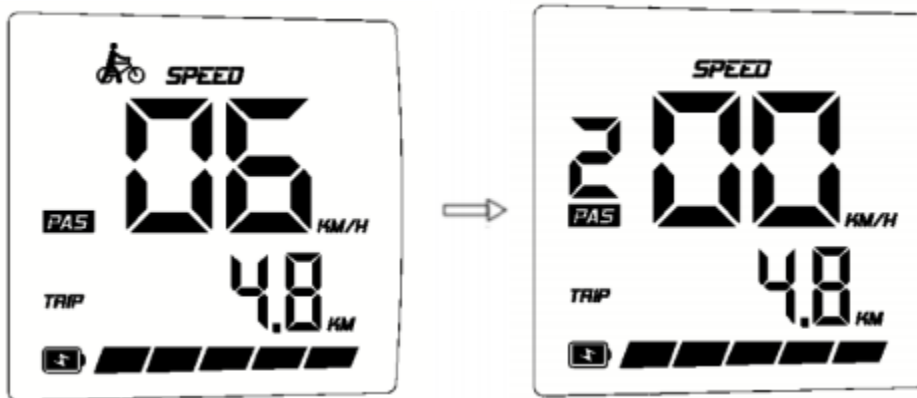
- Assist level selection

By pressing the button **+**/**-**, the e-bike assist level will be switched to change the motor output power. There are 5 levels .

- Push assistance

By pressing and holding the button **-** for 2 second, the electric push assistance mode will be enabled.

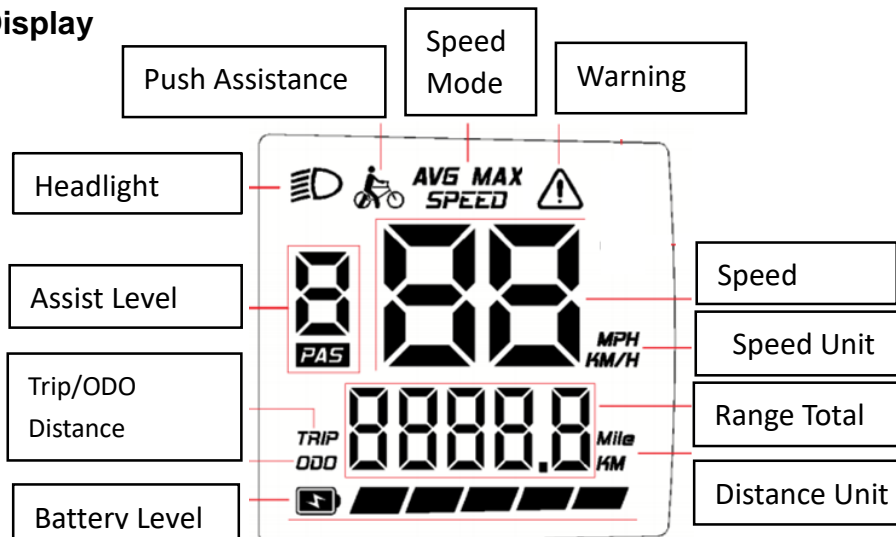
YOUNG ELECTRIC bikes will run at the constant speed of 6km/h. The display will show . pressing and holding the button **-** for 2 second , the electric push assistance mode will be off and return to the state before push assistance.



Push Assistance Indicator Interface

The push assistance function can only be used when you are pushing YOUNG ELECTRIC bikes. Please do not use it during riding.

3. Function Display



- **General Setting**

By pressing in the boot state button **M** for short time . You can switch the display information of Trip mileage, average speed, Maximum speed and total mileage, and display it circularly: current speed/subtotal mileage (TRIP)- > average speed (AVG), total mileage (ODO)- > maximum riding speed (max), subtotal mileage (TRIP)- > current speed/subtotal mileage (TRIP).



- **User setting**

Settings: unit setting, clock setting (partial version), automatic shutdown time.

- ① **Enter the settings**

- Within 10 seconds after the display is turned on, press and hold **M** (3 seconds), The system enters the user setting state, in which relevant parameters can be set and viewed; press and hold **M** (3 seconds), You can exit and save the Settings.
- In the user's setting state, if it is not operated for 10 seconds, the meter will not save the setting and return to the normal riding state;

- In the user setting state, short press **+** / **-** Setting content; Short press **M**, cyclically switch setting items.

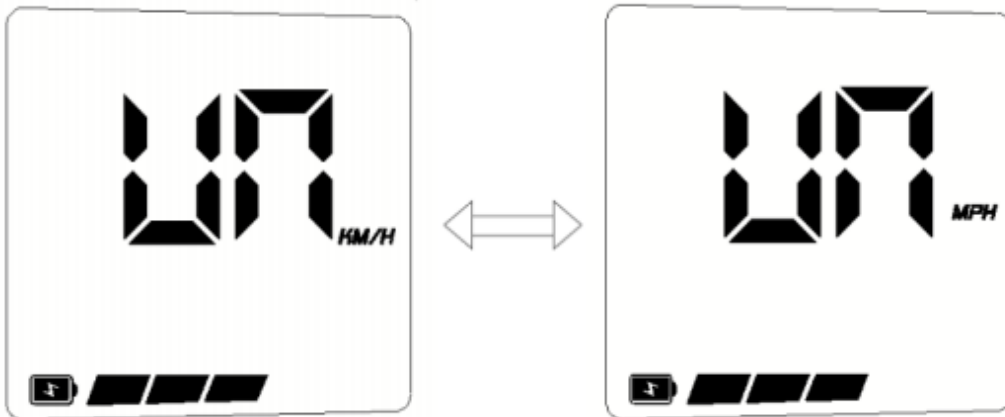
② Unit Settings

- Under the company setting interface, press +/- Select the unit KM/H, MPH, and press briefly. **M** Switch the interface.

UN: represents the unit setting.

KM/H: it means subtotal mileage, the total mileage unit is km, and the current speed, average speed and maximum speed unit are km/h.

MPH: indicates subtotal Mileage, the total mileage unit is mile, and the current speed, average speed and maximum speed unit are MPH.

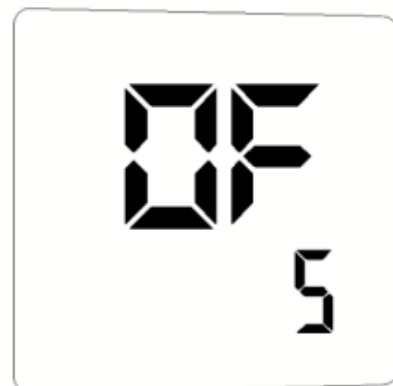


③ Automatic shutdown time

- Under the automatic shutdown setting interface, press +/- Select the shutdown time, and press briefly. **M**

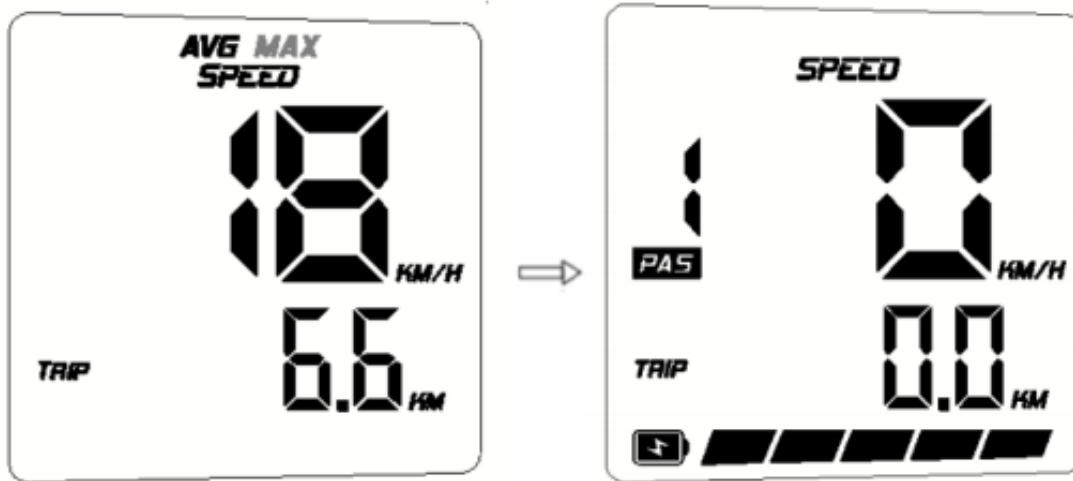
OFF: represents the unit setting.

- 1: 1 minute automatic shutdown time;
- 2: 2 minutes automatic shutdown time;
- 3: 3 minutes automatic shutdown time;
- 4: 5 minutes automatic shutdown time;
- 5: 8 minutes automatic shutdown time;
- 6: 10 minutes automatic shutdown time;



④ Remove data

After 10 seconds of power on, press and hold. **M** (3 seconds), enter the data clearing interface, which displays: average speed and maximum speed alternately, subtotal mileage and its unit; Short press **M**, clear the subtotal mileage (TRIP), average speed (AVG) and Maximum speed (max), and return to the operation interface; If it is not operated within 5 seconds, return to the operation interface without clearing the data.



● Battery Level Indicator

When the battery charge is normal, the 5-segment LED of the battery displays the charge according to the time and the outer frame lights up. When the battery runs out of power, the 5-segment LED of the battery completely goes out and the battery logo flashes, so it needs to be charged immediately. The battery charge is shown in the following figure:



MAINTENANCE:

Basic Bike Care

To ensure safe riding conditions you must properly maintain your bike. Follow these basic guidelines and see a certified bike mechanic at regular intervals to ensure your bike is safe for use and fun to ride.

Properly maintain batteries by keeping them fully charged when between uses of two weeks or more apart. See the Long-Term Battery Storage section for information on storing the battery for longer than two weeks between rides.

- Never immerse or submerge the bike or any components in water or liquid as the electrical system may be damaged.
- Periodically check wiring and connectors to ensure there is no damage and the connectors are secure.
- To clean, wipe the frame with a damp cloth. If needed, apply a mild non-corrosive detergent mixture to the damp cloth and wipe the frame. Dry by wiping with a clean, dry cloth.
- Store under shelter; avoid leaving the bike in the rain or exposed to corrosive materials. If exposed to rain, dry your bike afterward and apply anti-rust treatment to chain and other unpainted steel surfaces.
- Riding on the beach or in coastal areas exposes your bike to salt, which is very corrosive. Wipe down your bike frequently and wipe or spray all unpainted parts with anti-rust treatment. Damage from corrosion is not covered under warranty so special care should be given to extend the life of your bike when used in coastal areas or areas with salty air or water.
- If the hub and bottom bracket bearings have been submerged in water or liquid, they should be taken out and re-greased. This will prevent accelerated bearing deterioration.
- If the paint has become scratched or chipped to the metal, use touch up paint to prevent rust. Clear nail polish can also be used as a preventative measure.
- Regularly clean and lubricate all moving parts, tighten components, and adjust as required. Regularly inspect all pre-attached and optional component hardware to ensure proper torque spec, secure attachment, and good working condition.

Carrying Loads

The maximum weight limit for the YOUNG ELECTRIC bike is 330 lbs.(149kg) That weight limit includes the weight of the rider and all items carried on the bike. The rear rack weight limit is 59 lb.(27 kg)

 **WARNING**

- Never exceed the rated weight limit of the bike or rear rack. Exceeding rated limit can damage the bike or rack. Damage to bike may cause rider to lose control of bike and result in serious injury.
- Never carry passengers on this bike. Passenger may fall from the bike or become injured by moving parts.
- Never carry oversized objects on the bike that may interfere with rider. Oversized objects may cause rider to lose control and result in serious injury.

Cleaning Your E bike:

 **WARNING**

- Never immerse the bike in or any of the components in water or other liquid. This can damage the electrical system and will void your warranty.
- Never clean the bike with high pressure jetted water. This can enter the electrical components and damage them.
- Always store the bike in a dry location. Thoroughly dry the bike after riding in the rain or washing it. Standing water can enter electronics or cause corrosion resulting in damage to the electrical system.

Remove the battery pack from your bike before cleaning the bikes. Use a damp cloth with mild soap as needed to clean the outside of the battery. Do not insert anything into the electrical connector on battery for any reason. These should remain clean and dry when the bicycle is properly cared for.

The bike can be cleaned with water from a garden hose, mild dish soap, and a damp cloth. Avoid spraying electronics on the handlebars, electrical connectors, ends of the hub motor where axle protrudes, rear cassette, front sprocket and chain. Rinse soap away thoroughly with low pressure water. Thoroughly dry the bike and pay extra attention to remove any water from electrical components or connectors. Low pressure air from a hair drier or shop vacuum can also be used to help remove water from places that are difficult to reach.

Reinstall the battery after the bicycle has been cleaned and thoroughly dried. Make sure the battery is properly installed and locked into the bike.

- **Tire Inflation And Replacement:**

See the side wall of your bike tires for the proper size tire for your bike. These tires use a rubber inner tube to retain air pressure. The tires on your bike are designed for typical terrain and surfaces the bike was intended to be used on. Only replace the tires with a similar tire design of the same size. Always check all items related to Tires and Wheels listed in the Pre-Ride Check before each ride. Properly inflated tires will help to ensure your best bike performance, longest range possible, and maximum life of the tires.

Keep your tires inflated to 5-30 P.S.I. at all times. Never exceed the maximum pressure listed on the tire side wall. Tires will lose air pressure over time. Always check tire pressure before operating the bike. Low tire pressure can result in damage to the wheels that will be more difficult and expensive to repair.

Always replace your tires with equivalent tires with reflective side walls. Your YOUNG ELECTRIC bike was equipped from the factory with this type of tire to provide the most visibility of you and your bike in low light conditions. Keep the tires clean to ensure the reflective side wall can function properly.

Recommended Service Intervals

Regular inspection and maintenance are key to ensure lasting bike function as intended, and to reduce wear and tear on their systems. Recommended service intervals are meant to be used as guidelines. Real world wear and tear, and the need for service, will vary with conditions of use. We generally recommend inspections, service, and necessary replacements be performed at the time or mileage interval that comes first in the following table.

Interval	Inspect	Service	Replace
Weekly, 100-200 mi (160-321 km)	<ul style="list-style-type: none"> -Check hardware for proper torque -Check drivetrain for proper alignment and function (including the chain, freewheel, chainring, and derailleur). -Check wheel trueness and for quiet wheel operation (without spoke noise). -Check condition of frame for any damage. 	<ul style="list-style-type: none"> -Clean frame by wiping frame down with damp cloth. -Use barrel adjuster(s) to tension derailleur/brake cables if needed. 	<ul style="list-style-type: none"> - Replace any components confirmed by YOUNG ELECTRIC Product Support or a certified bike mechanic to be damaged beyond repair or broken.
Monthly, 250-750 mi (402-1207 km)	<ul style="list-style-type: none"> -Check brake pad alignment, brake cable tension. -Check bike is shifting properly, proper derailleur cable tension. -Check chain stretch. -Check brake and shifter cables for corrosion or fraying. -Check spoke tension. -Check accessory mounting (rack mounting bolts, fender hardware, and alignment). 	<ul style="list-style-type: none"> -Clean and lubricate drivetrain. -Check crankset and pedal torque. -Clean brake and shift cables. -True and tension wheels if any loose spokes are discovered. -Balance the battery. 	<ul style="list-style-type: none"> - Replace brake and shift cables if necessary. - Replace brake pads if necessary.

Every 6 Months, 750-1250 mi (1207- 2011 km)	-Inspect drivetrain (chain, chain ring, freewheel, and derailleur). -Inspect all cables and housings.	-Standard tune-up by certified, reputable bike mechanic is recommended. -Grease bottom bracket.	-Replace brake pads. -Replace tires if necessary. -Replace cables and housings if necessary.
---	--	--	--

Troubleshooting

Symptoms	Possible Cause	Most Common Solution
Bike does not work	<ol style="list-style-type: none"> 1. Depleted/Very Low battery charge 2. Faulty connections 3. Battery not fully seated in connector 4. Improperly turned on 5. Blown Discharge Fuse in battery 6. Brakes applied or stuck 	<ol style="list-style-type: none"> 1. Charge the battery 2. Clean or repair connector 3. Reinstall battery and ensure completely seated 4. Review manual, follow start procedure 5. Replace with new fuse on same size 6. Disengage/free brakes
Reduced Range	<ol style="list-style-type: none"> 1. Low tire pressure 2. Low or faulty battery 3. Riding with too many hills, excessive load, headwind, applying brake while riding 4. Battery was left discharged for long period of time without regular charging, aged, damaged or unbalanced cells. 5. Brakes adjusted improperly 	<ol style="list-style-type: none"> 1. Adjust tire pressure 2. Check connections and/or fully charge battery 3. Assist bike with greater pedal effort, Change route, reduce load on bike. 4. Balance the battery. Contact Customer Service or Authorized Service shop if reduced range persists. 5. Adjust the brakes to eliminate drag when brake levers are not pulled, ensure calipers and/or pads can move freely
Irregular acceleration and/or reduced top speed	<ol style="list-style-type: none"> 1. Insufficient battery power 2. Loose or damaged throttle/PAS controller 3. Damaged torque sensor in bottom bracket 	<ol style="list-style-type: none"> 1. Charge or replace battery 2. Replace Throttle/PAS controller 3. Contact Authorized Service shop for repair
Motor does not respond when bike is powered on	<ol style="list-style-type: none"> 1. Loose/damaged wiring connection 2. Loose/damaged throttle/PAS control 3. Loose or damaged motor wires/plug 4. Damaged motor 	<ol style="list-style-type: none"> 1. Repair and/or reconnect 2. Tighten or replace 3. Secure, repair, or replace damaged wires 4. Contact Authorized Service shop to replace

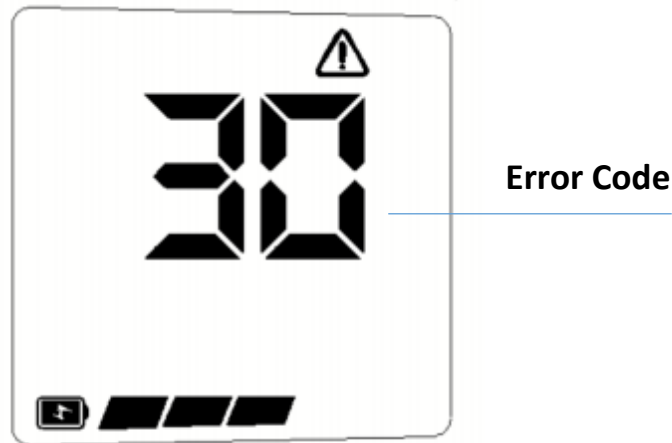
<p>Battery will not charge</p>	<ol style="list-style-type: none"> 1. Charger not connected well/completely 2. Charger damaged 3. Battery damaged 4. Wiring damaged 5. Blown battery fuse 	<ol style="list-style-type: none"> 1. Adjust the connections 2. Replace 3. Replace 4. Repair or replace 5. Reset circuit breaker or replace fuse
<p>Wheel or motor makes strange noises</p>	<ol style="list-style-type: none"> 1. Loose or damaged wheel spokes or rim 2. Loose or damaged motor wiring 3. Debris interfering with wheels 	<ol style="list-style-type: none"> 1. Tighten, repair, or replace 2. Reconnect or replace motor 3. Remove debris and inspect for damage

Error Code

NOTICE

Please use safely, and do not plug or unplug the display when it is powered on.

- Please avoid bumping as far as possible.
- Please do not alter the background parameter settings of the display at will, otherwise normal riding cannot be guaranteed.
- If the display fails to work normally, it should be repaired as soon as possible.



Error Code	Definition
04	Throttle Fault
07	Over voltage Protection
08	Motor Hall Signal Fault
09	Motor Phase Fault
21	tacho-generator Fault
30	Communication Fault

Limited Warranty

WARRANTY REGISTRATION CARD

Owner Name:

Address:

City, State, Zip, Country:

Phone:

Model:

Color:

Size:

Electric bicycle Serial Number:

Battery Serial Number:

Model:

Color:

Dealer Name

Address:

City, State, Zip, Country:

Date of Purchase:

Length of Warranty

Every bicycle has a useful product lifespan. This limited warranty is not meant to suggest or imply that the frame or components can never be broken or will last forever. This limited warranty covers manufacturing defects that occur within the normal lifespan and use of the product.

For YOUNG ELECTRIC E-bike, the serial number is the singular certificate for after-sales (warranty). Before purchasing, please check the serial number in detail. In case of a worn serial number, please do not purchase the E-bike.

The electric bicycle serial number is noted on the Master Carton and the bottom tube of frame. The battery serial number is noted on the battery pack.

Warranty Conditions

This limited warranty applies only to the original owner of the bicycle and is not transferable to subsequent owners or other transferee of the electric bicycle. Only the original owner of an electric bicycle purchased from YOUNG ELECTRIC online or YOUNG ELECTRIC authorized distributor or retailer is covered by Limited Warranty. The Warranty Period begins upon your receipt of the electric bicycle and shall end immediately when any sale or transfer of the electric bicycle is made, and under no circumstances shall the Limited Warranty apply to any subsequent owner or other transfer of the electric bicycle.

Bike Frame: **5 year warranty**

All other mechanical components: **1 year warranty**

Electrical components: **2 year warranty**

For any warranty claim to be considered, the E-bike must be in an assembled, reasonably clean and sanitary condition and accompanied by the original, dated sales receipt for the bicycle (be sure to keep your receipt in a safe place!).

This limited warranty is void if the bicycle is subjected to abuse, neglect, improper repair, improper assembly, lack of proper maintenance according to the owner's manual, alteration, modification, installation of incompatible parts, corrosion, an accident or other abnormal, excessive, or improper use. This limited warranty is void if the bicycle is used in a rental or bike sharing program.

Damage resulting from normal wear and tear, including the results of fatigue, is not covered. It is the owner's responsibility to regularly inspect and properly maintain his/her bicycle. Some items that typically exhibit damage from normal wear and tear include:

- Bearings
- Bearing races
- Chain rings
- Cassettes
- Tires
- Tubes
- Saddles
- Chain
- Brake pads
- Brake Disks
- Wheel Hubs
- Spokes
- Handlebar Grips
- Cables and housing
- Bushings

Damage to a Covered Component during shipping is not covered by this Limited Warranty, but YOUNG ELECTRIC will replace such damaged Covered Components if you:

- Notify YOUNG ELECTRIC of a Covered Component damaged in the shipping process within thirty (30) days of your receipt of the electric bicycle;
- Provide YOUNG ELECTRIC with a dated picture of the damaged Covered Component;
- Return all original packaging and paperwork included with the electric bicycle;
- Note any immediately recognizable damage on the shipper's Bill of Lading prior to signing off on the shipment.

Shipping damage claims are very time sensitive and it is your responsibility to immediately inspect the electric bicycle for damage upon receipt.

Paint fading caused by the effects of ultraviolet light (UV) or outdoor exposure is not covered by this limited warranty. All labor charges for warranty service, including the transfer of components and/or any installation of new components, are the responsibility of the bicycle owner.

Due to product evolution and obsolescence (such as products that have been discontinued or are no longer kept in stock), some frames or components may not be available for older or limited edition models. In these cases, YOUNG ELECTRIC may elect to provide a replacement that it determines to be the most nearly comparable model, but sourcing and paying for components is the responsibility of the bicycle owner.

All determinations under this limited warranty will be made in the sole discretion of YOUNG ELECTRIC, including but not limited to the decision to repair or replace a defective product, and what replacement product is the most nearly comparable product then available.

THE REMEDIES STATED ABOVE ARE THE EXCLUSIVE REMEDIES UNDER THIS WARRANTY. ANY AND ALL OTHER REMEDIES AND DAMAGES THAT MAY OTHERWISE BE APPLICABLE ARE EXCLUDED, INCLUDING, BUT NOT LIMITED TO, INCIDENTAL OR CONSEQUENTIAL DAMAGES, DAMAGES TO OTHER PROPERTY, OR ANY PUNITIVE DAMAGES.

THIS IS THE ONLY WARRANTY MADE BY YOUNG ELECTRIC ON ITS FRAMES AND COMPONENTS, AND THERE ARE NO WARRANTIES WHICH EXTEND BEYOND THE DESCRIPTION HEREIN. ANY WARRANTIES THAT MAY OTHERWISE BE IMPLIED BY LAW INCLUDING, BUT NOT LIMITED TO, ANY IMPLIED WARRANTY OF MERCHANTABILITY OR FITNESS FOR A PARTICULAR PURPOSE, ARE EXCLUDED.

PLEASE REFER TO THE DOCUMENTS INCLUDED WITH YOUR BICYCLE FOR POSSIBLE FURTHER RESTRICTIONS.

THIS LIMITED WARRANTY GIVES THE CONSUMER SPECIFIC LEGAL RIGHTS. THE CONSUMER MAY ALSO HAVE OTHER LEGAL RIGHTS WHICH VARY FROM STATE TO STATE OR COUNTRY TO COUNTRY. SOME STATES AND COUNTRIES DO NOT ALLOW THE EXCLUSION OR LIMITATION OF INCIDENTAL OR CONSEQUENTIAL DAMAGES OR WARRANTIES, SO THE ABOVE LIMITATIONS OR EXCLUSIONS MAY NOT APPLY TO YOU. IF IT IS DETERMINED BY A COURT OF COMPETENT JURISDICTION THAT A CERTAIN PROVISION OF THIS LIMITED WARRANTY DOES NOT APPLY, SUCH DETERMINATION SHALL NOT AFFECT ANY OTHER PROVISION OF THIS LIMITED WARRANTY AND ALL OTHER PROVISIONS SHALL REMAIN IN EFFECT.



Distributed by Forcome Co., Ltd

[Email: support@youngelectricbikes.com](mailto:support@youngelectricbikes.com)

Toll- Free Number: (+1) 888-933-8899

<https://youngelectricbikes.com/>

Version I