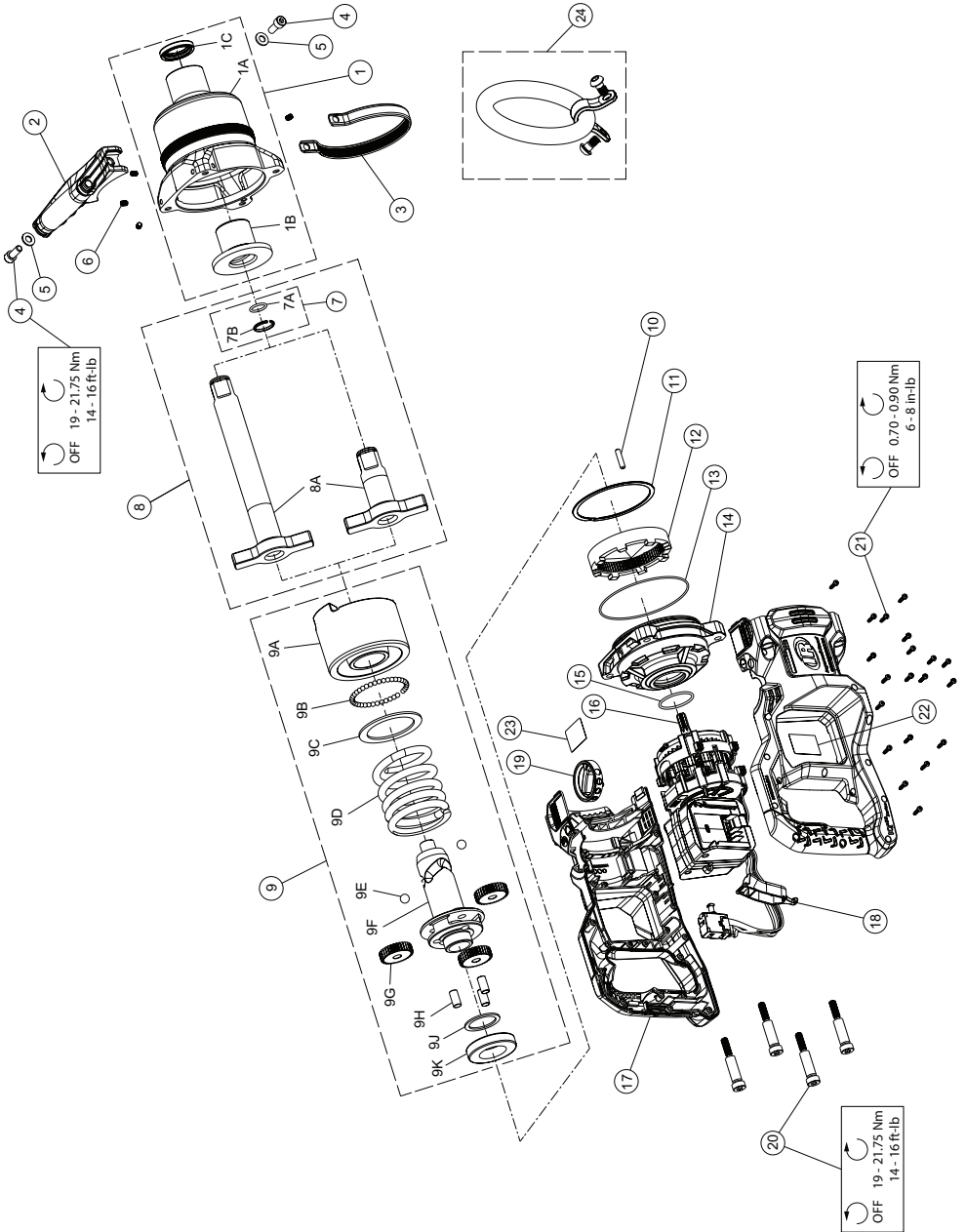


W9000 Series: W9491 and W9691, Cordless Impact Wrench - Exploded View



(Dwg. W9000)



W9000 Series: W9491 and W9691, Cordless Impact Wrench - Parts List

Item	Part Description	QTY.	Part Number	(CCN)
1	Hammercase Kit			
	for W9491	1	TK-W9491-727	
	for W9691	1	TK-W9691-727	
1A	Hammercase	1	---	
1B	Bushing	1	---	
1C	Front Seal	1	---	
2	Auxiliary Handle	1	W9691-48	(47674705001)
3	Auxiliary Handle Band	1	W9691-364	(47665702001)
4	Auxiliary Handle Screw (2 required)	1	2850-49	(47578627001)
5	Auxiliary Handle Washer (2 required)	1	TP-W9691-246	
6	Set Screw (4 required)	1	TP-W9691-667	
7	Socket Retainer Kit	1	2155-K425	47118120
7A	O-Ring	1	---	
7B	Socket Retainer Spring	1	---	
8	Anvil Kit			
	for W9491	1	TK-W9491-826	
	for W9691	1	TK-W9691-826	
8A	Anvil	1	---	
7A	O-Ring	1	---	
7B	Socket Retainer Spring	1	---	
9	Mechanism Kit	1	TK-W9691-675	
9A	Hammer	1	---	
9B	Thrust Ball	39	---	
9C	Thrust Washer	1	---	
9D	Spring	1	---	
9E	Camshaft Ball	2	---	
9F	Camshaft	1	---	
9G	Planet Gear	3	---	
9H	Gear Pin	3	---	
9J	Washer	1	---	
9K	Bushing, Mechanism	1	---	
10	Spring Pin	1	W9691-120	(47655220001)
11	Retaining Ring	1	W9691-18	(47661147001)
12	Ring Gear	1	W9691-406PM	(47660007001)
13	O-Ring, Hammercase	1	W9691-282	(47661145001)
14	Ring Gear Holder	1	W9691-37	(47665699001)
15	O-Ring, Ring Gear Holder	1	W9691-66	(47661146001)
16	Motor and Switch Assembly	1	TA-W9691-054	(47653132001)
17	Housing Set	1	W9691-40	(47665687001)
18	Trigger Cap	1	W9691-93	(47665698001)
19	Power Regulator Knob	1	W9691-249A	(47674083001)
20	Screw, Hammercase (4 required)	1	W9691-638	(47672884001)
21	Screw, Housing (20 required)	1	W7150-105	(45538683)
22	Information Label	1	TL-W9691-300	
23	Warning Label	1	TL-W9691-099	
24	Hanger Kit	1	TK-W9691-600	
	Screw	2	---	
	Ring	1	---	
	Hanger Bracket	1	---	
*	Battery, BL2022	1	BL2022	(47515902001)
*	Battery, BL2023	1	BL2023	
*	Battery Charger	1	BC1221	
*	Protective Battery Boot	1	BL2010-BOOT	(47510964001)
*	Grease			
	IR #170 (1 LB Can)	1	170-1LB	(04650073)
	IR #170 (8 LB Can)	1	170-8LB	(04650081)

* Indicates not illustrated.

Parts and Maintenance

When tool life has expired, it is recommended that the tool be disassembled, degreased and parts separated by material for proper recycling.

Tool repair and maintenance should only be carried out by an authorized Service Center.

Refer all communications to the nearest **Ingersoll Rand** office or distributor.

Related Documentation

Manuals can be downloaded from ingersollrand.com

For additional information, refer to:

Product Safety Information Manual 04581146.

Product Information Manual TL-W9691-PIM.

Declaration of Conformity TL-W9691-DOC.



ingersollrand.com
© 2021 Ingersoll Rand

TL-W9691-PLM
Edition 3
October 2021