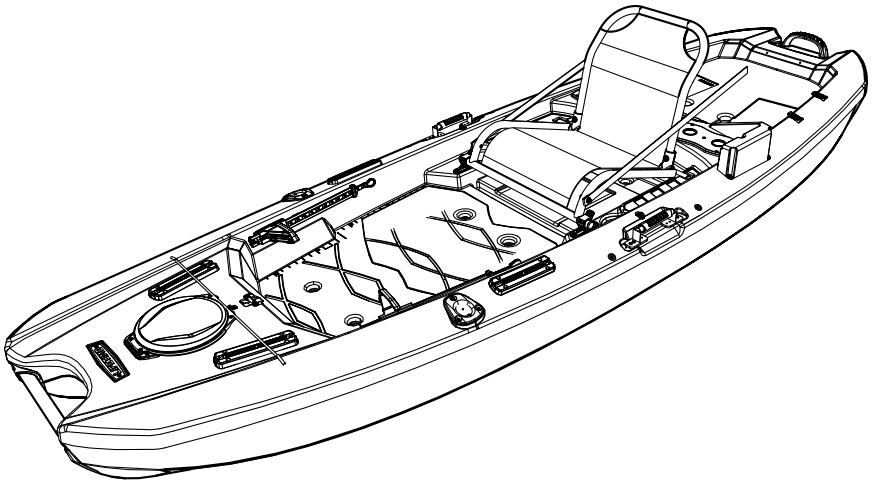




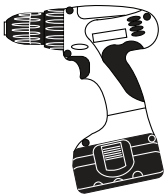
# OWNER'S MANUAL

## MANTA 120 ANGLER KAYAK WITH MOTOR MOUNT



SAVE THIS INSTRUCTION IN THE EVENT THE MANUFACTURER NEEDS TO BE CONTACTED.

### TOOLS REQUIRED (ONLY FOR ATTACHING THE MOTOR MOUNT)



*Electric drill*  
(x1)



*#2 Phillips Screwdriver*  
(x1)



*7/16" (~11mm) wrench*  
(x1)



*1/4" (~6mm) Drill bit*  
(x1)

### NEED HELP? TALK TO US!

Dial 1-800-225-3865

Lifetime's assembly experts offer quick responses and great customer service.

Product ID:

Live Chat: [www.lifetime.com/customerservice/home](http://www.lifetime.com/customerservice/home)



## REGISTER YOUR PRODUCT ONLINE AT LIFETIME.COM

At Lifetime®, we are committed to providing innovative and quality products. While registering, you will have the opportunity to give us your feedback. Your input is valuable to us.

- You can also opt in to receive new product notifications or promotions.
- In the unlikely event of a product recall or safety modification, your registration provides the information we need to notify you directly.
- Registration is fast, easy, and completely voluntary.

### LIFETIME'S PROMISE TO YOU:

*Maintaining your privacy is our long-standing policy at Lifetime®. And you can rest assured that Lifetime® will not sell or provide your personal data to other third parties, or allow them to use your personal data for their own purposes.*

We invite you to read our privacy policy at [www.lifetime.com](http://www.lifetime.com)

**REGISTER today!**

**\*\*U.S. and Canada customers ONLY\*\***

**IF ASSISTANCE IS NEEDED,**

**DO NOT CONTACT THE STORE!**

**CALL OUR CUSTOMER SERVICE DEPARTMENT at 1 (800) 225-3865**

\*\*For customers outside the U.S. or Canada, please contact the store for assistance.\*\*



## SAFETY INSTRUCTIONS



**FAILURE TO FOLLOW THESE WARNINGS MAY RESULT IN SERIOUS INJURY OR PROPERTY DAMAGE AND WILL VOID WARRANTY.**

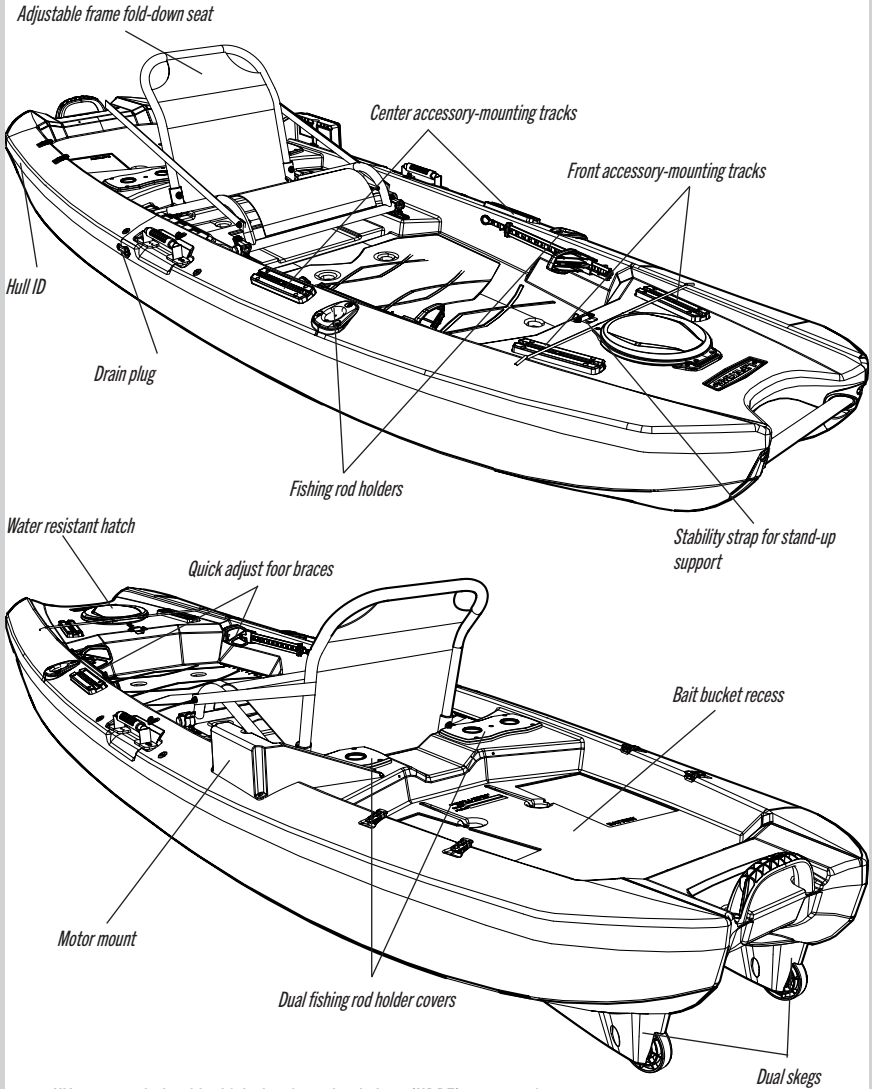
To ensure safety, do not attempt to use this product without following the instructions carefully. Check entire product and inside all packing material for parts and/or additional instruction material. Before using this watercraft, read the instructions and identify parts using the identifier in this document. Proper and complete assembly, use, and supervision are essential to reduce the risk of accident or injury. A high probability of serious injury exists if this system is not assembled, maintained, and/or operated properly.

- Follow any and all warnings and cautions carefully.
- Inspect the hull for damage prior to each use.

*Most injuries are caused by misuse and/or not following instructions. Use caution when using this system.*



## FEATURES



- UV-protected, durable, high-density polyethylene (HDPE) construction
- Skeg wheels for enhanced tracking and easy transportation
- 8 Self-bailing scupper holes and deck channel draining system

### Specifications:

Length: 10' (120") (305cm)

Width: 38" (97cm)

Weight: 75 lb (34kg)

Maximum Weight Capacity: 350 lb (159kg) (includes occupant, motor, battery and gear)

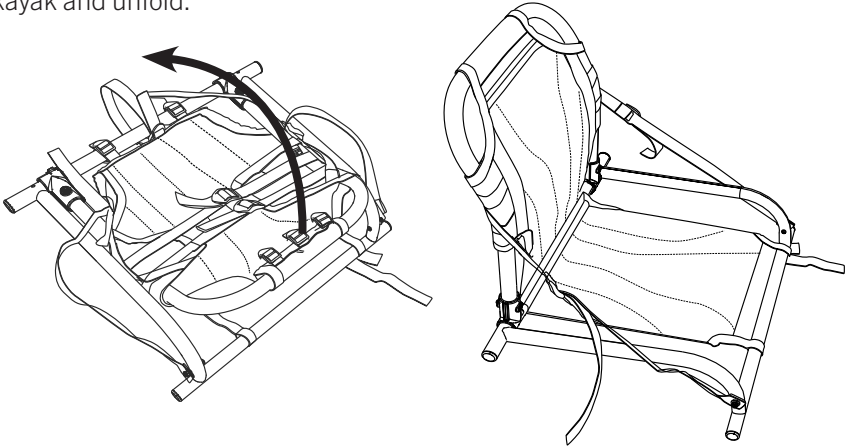
\*\*Never drag any portion of the kayak over asphalt or any rocky, sandy, or abrasive surface.

# 1

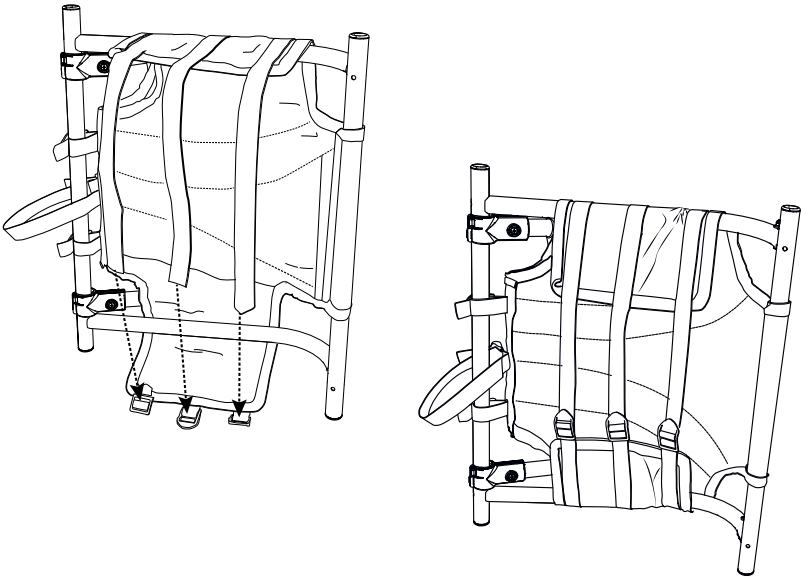
## INSTALLING THE ADJUSTABLE SEAT

### ADJUSTABLE SEAT ASSEMBLY

**1.1** When unpacking the kayak for the first time, remove the seat from the kayak and unfold.



**1.2** On the bottom of the seat, wrap the wings of the seat around the seat frame and securely tighten the straps.



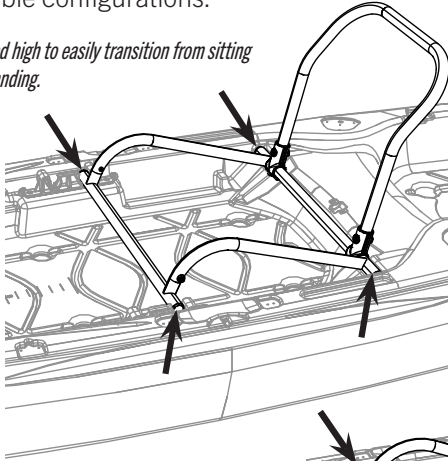
# 1

## INSTALLING THE ADJUSTABLE SEAT

### ADJUSTABLE SEAT INSTALLATION AND ADJUSTMENT

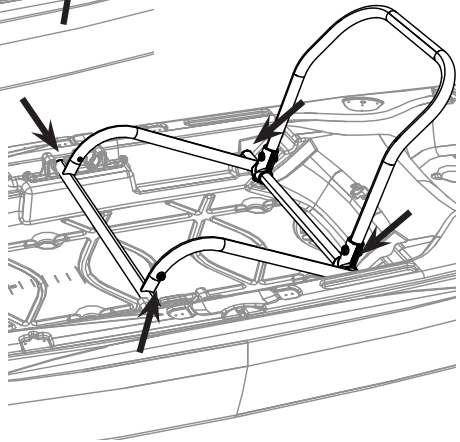
1.3 Press the capped ends of the frame into the slots in the kayak in one of two possible configurations:

**A** Seated high to easily transition from sitting to standing.

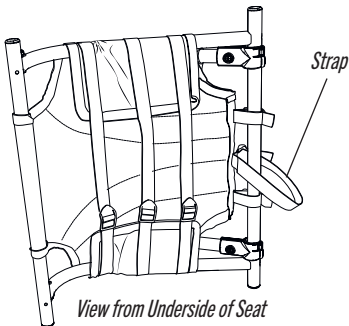


*\*Seat frame shown without covering for illustrative purposes only.*

**B** Reclined position for greater comfort.

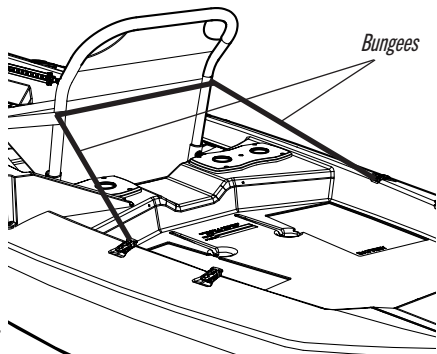


1.4 Secure the long center strap on the underside of the seat cover to the tie-off bracket on the hull.



*View from Underside of Seat*

1.5 Clip the the bungees on the back of the seat to the hooks on the side.



# 2

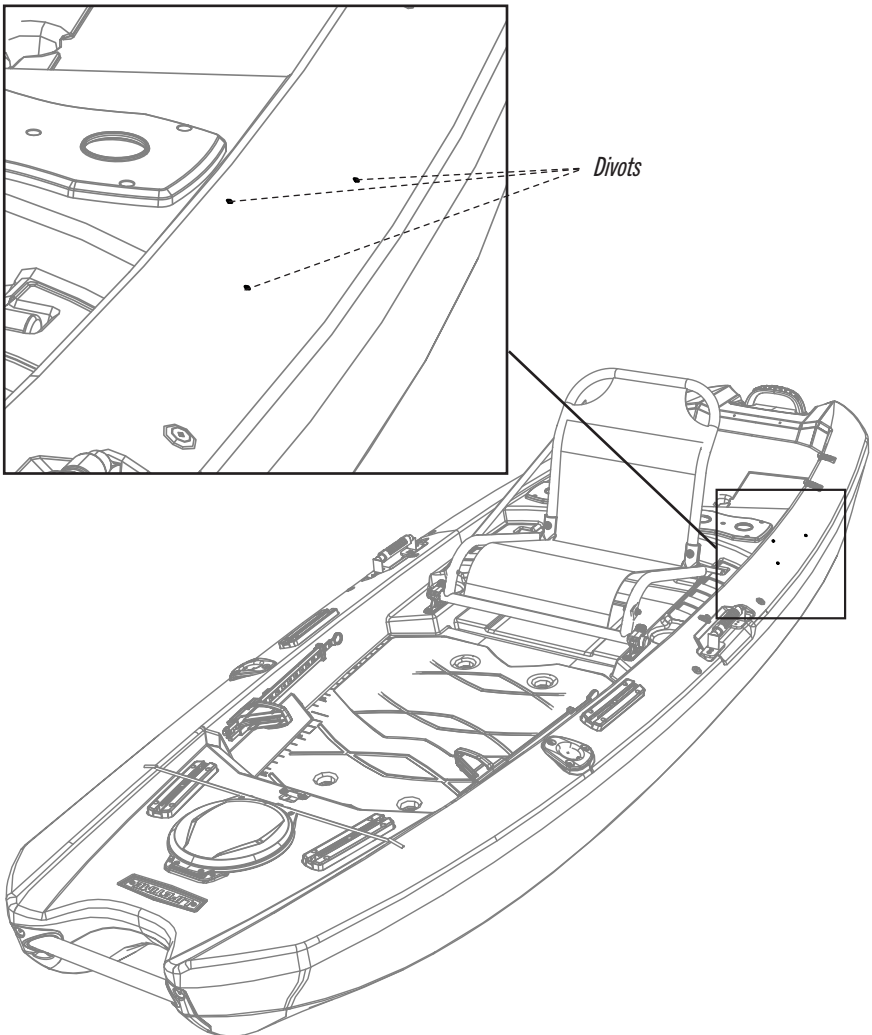
## ATTACHING THE MOTOR MOUNT



1/4" (≈6mm) Drill bit

**IMPORTANT: THIS SECTION IS ONLY REQUIRED IF YOU PLAN TO ATTACH THE MOTOR MOUNT INCLUDED WITH THIS KAYAK. IF NOT, SKIP TO SECTION 3.**

2.1 Before attaching the motor mount, look for the three divots in the left side of the hull of the Manta at the locations indicated. Using a 1/4" (≈6.4mm) drill bit, drill through each of the divots and into the hull.

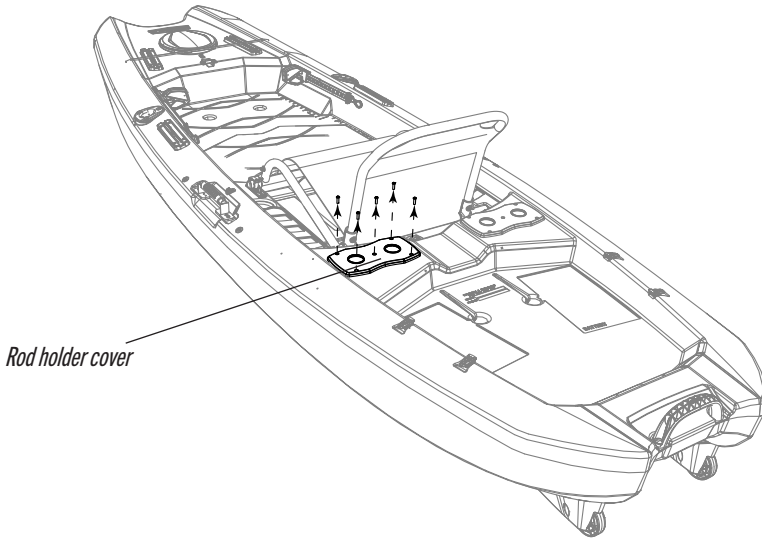


# 2

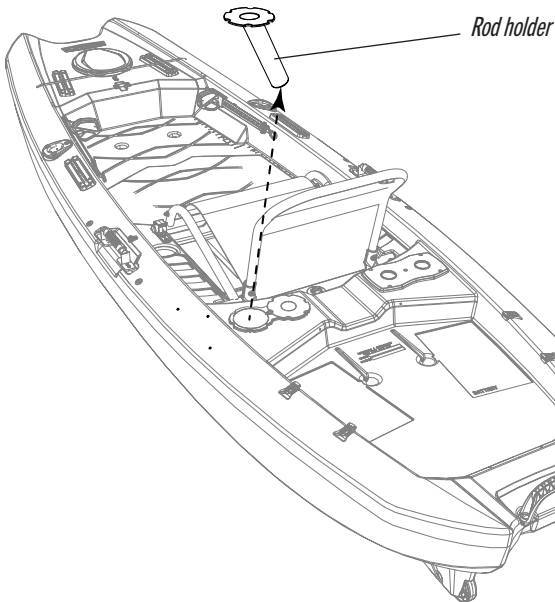
## ATTACHING THE MOTOR MOUNT (CONTINUED)



2.2 Using a #2 Phillips screwdriver, remove the five (5) screws securing the rod holder cover to the hull. **Save the screws for later.** Remove the rod holder cover.



2.3 Remove the rod holder.

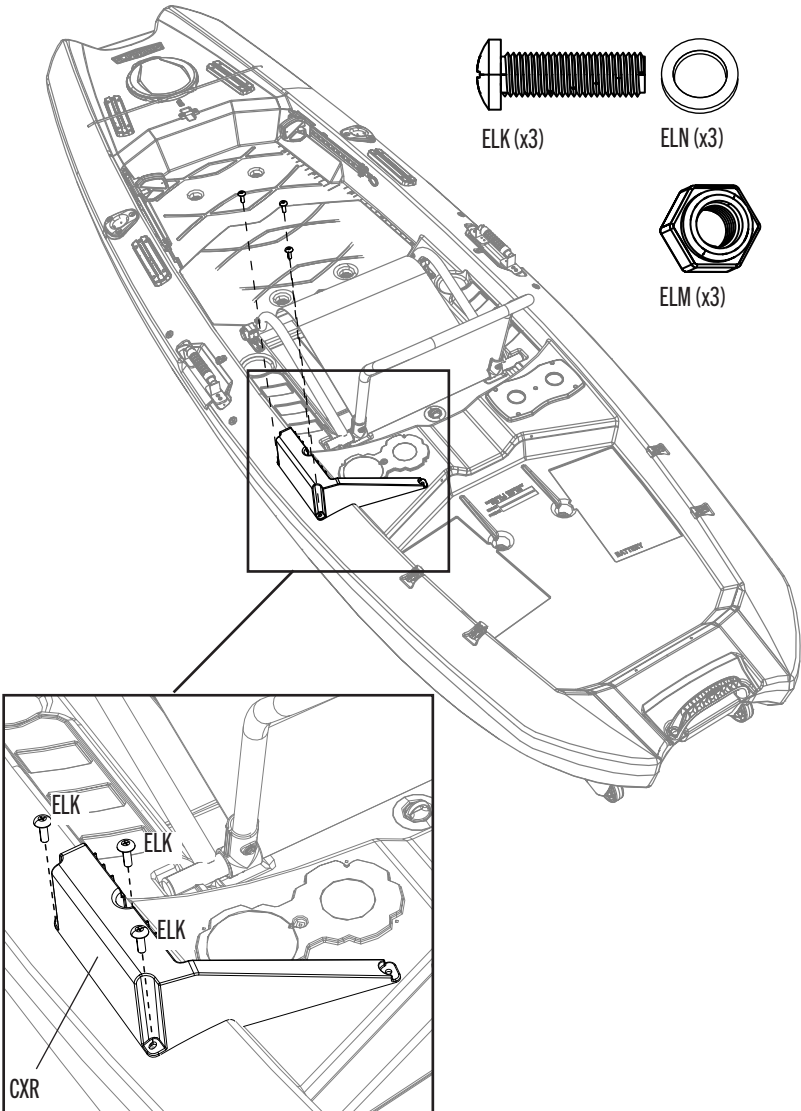


# 2

## ATTACHING THE MOTOR MOUNT (CONTINUED)



2.4 Set the **motor mount (CXR)** on the hull and align the three holes in the mount with the three holes in the hull. Insert a **bolt (ELK)** through each of the three holes. Reach through the rod holder hole and secure the bolts with a **washer (ELN)** and **nut (ELM)** for each.





# 2

## ATTACHING THE MOTOR MOUNT (CONTINUED)

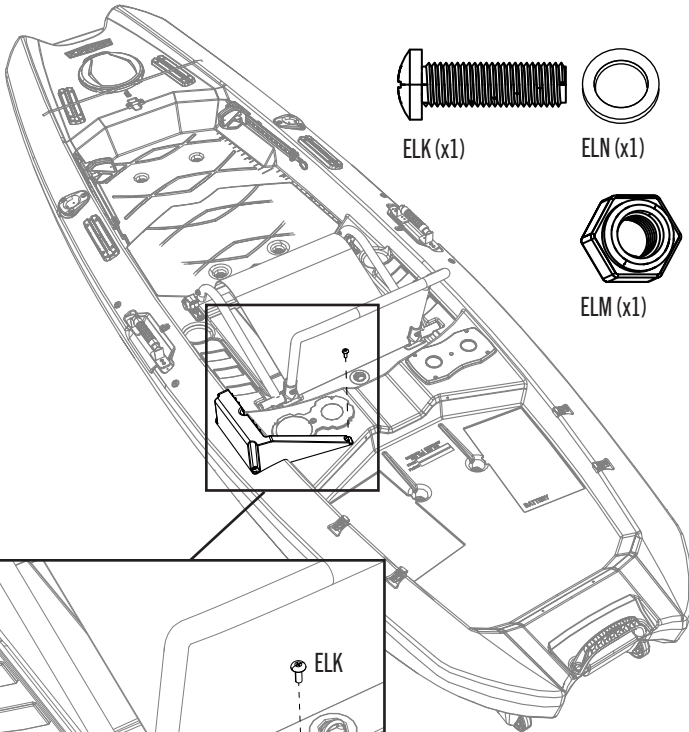


1/4" (≈6mm) Drill bit



7/16" (≈11mm) Drill bit

2.5 Now that the motor mount is in place, there is still one more hole. Using the 1/4" (≈6mm) drill bit, drill through the hole in the motor mount and into the hull at the location shown. As in the previous step, secure with the hardware indicated.



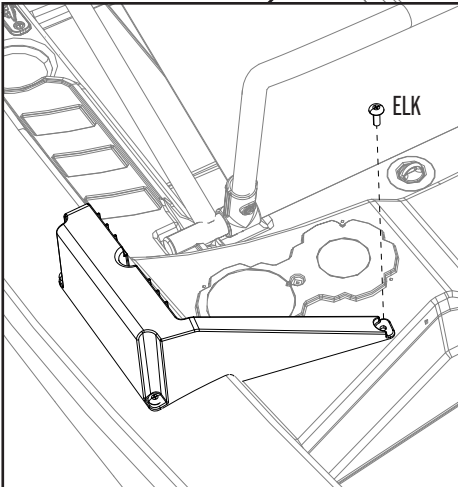
ELK (x1)



ELN (x1)



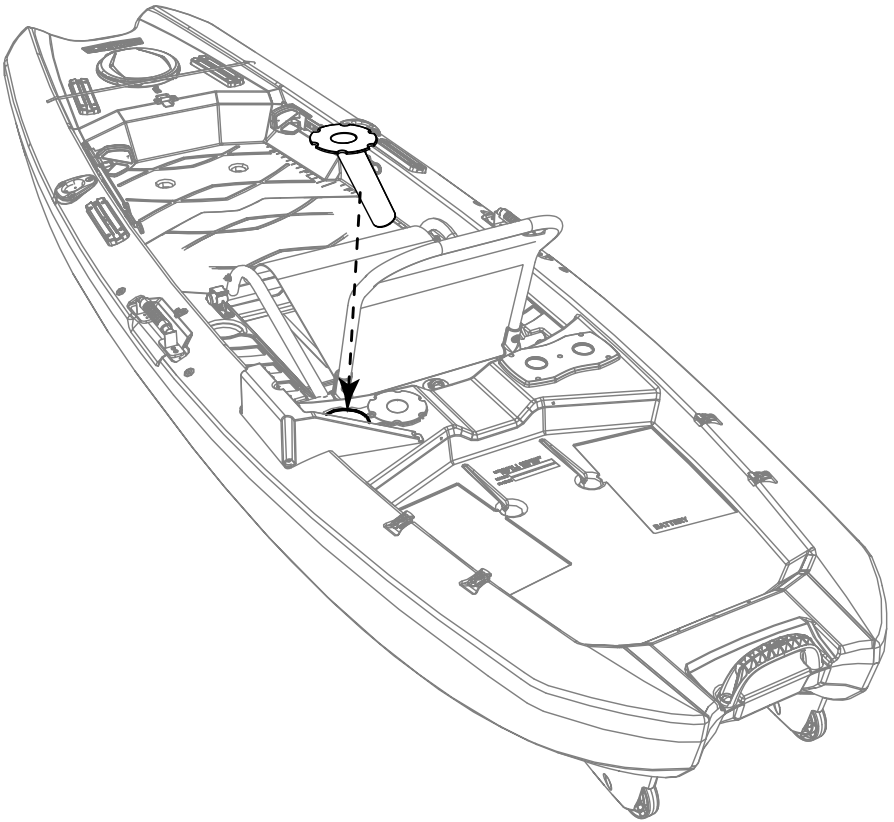
ELM (x1)



# 2

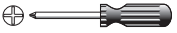
## ATTACHING THE MOTOR MOUNT (CONTINUED)

2.5 Reinsert the rod holder, oriented as shown.

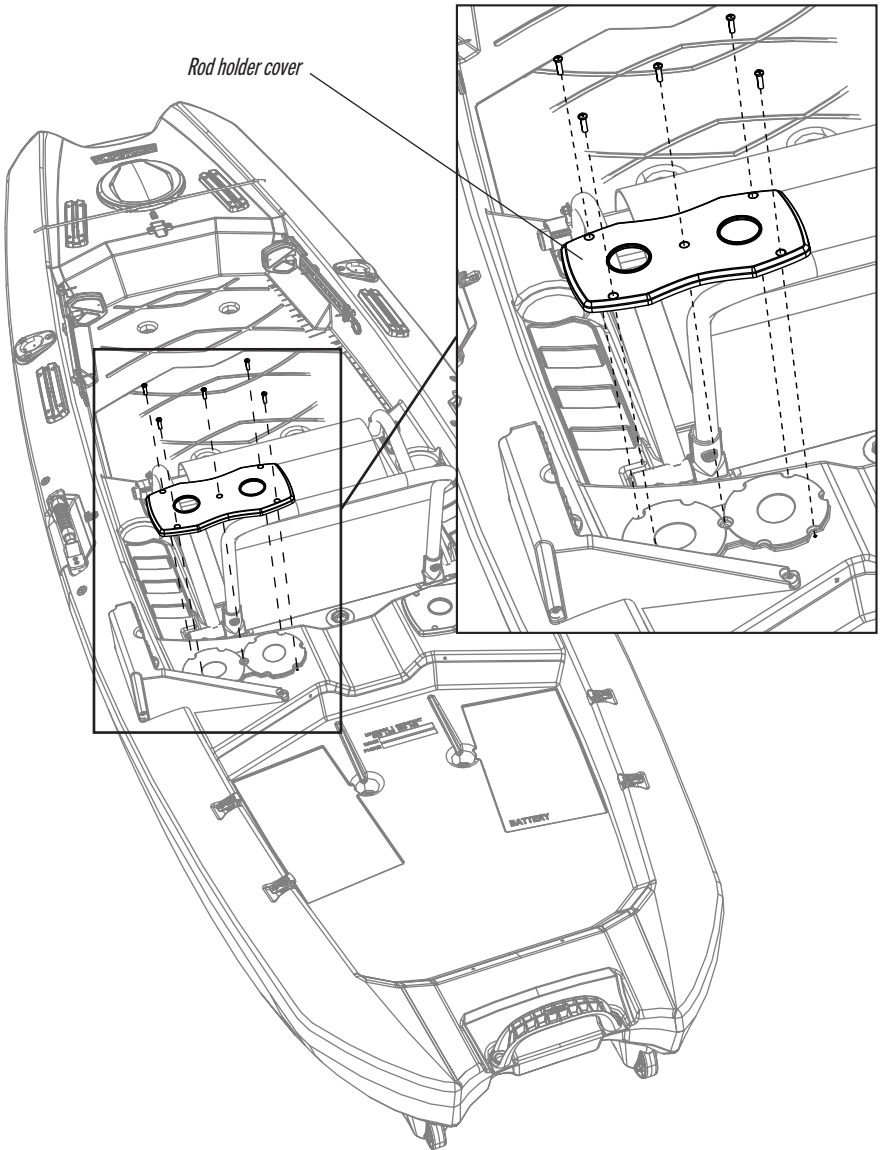


# 2

## ATTACHING THE MOTOR MOUNT (CONTINUED)



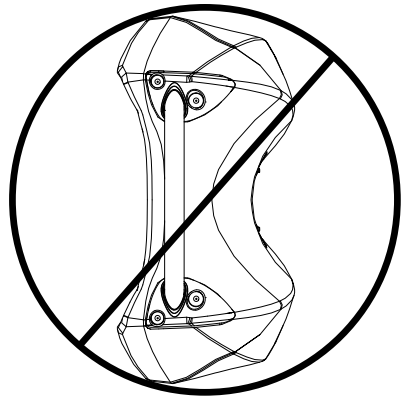
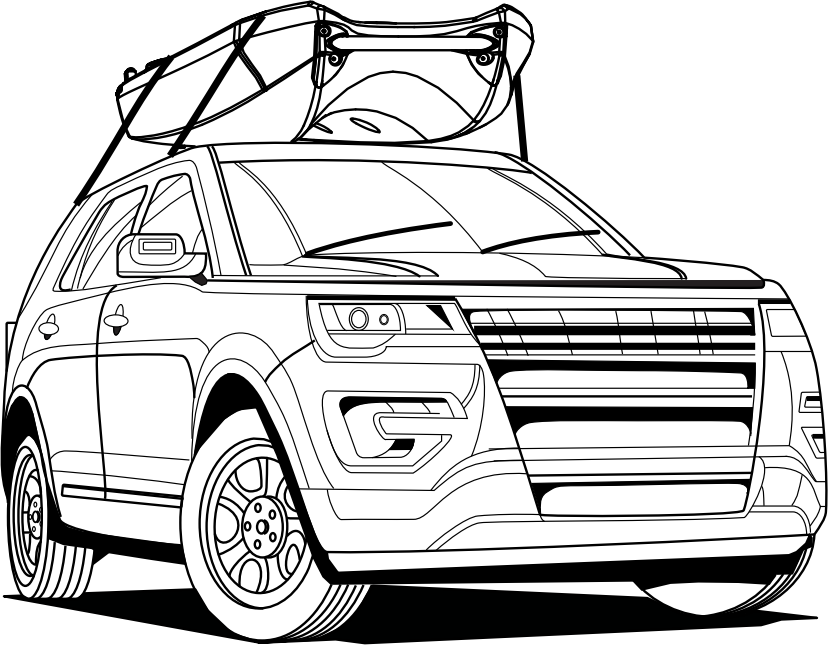
2.6 Reattach the rod holder cover using the screws removed in step 2.2.



# 3

## TRANSPORTATION

3.1 When transporting, NEVER transport the kayak on its side (as when using a J-rack). Tie down the Manta bottom or top down against the roof of the vehicle, preferably with a blanket or similar between the kayak and the roof of the vehicle.





## WARNING STICKER

Contact Lifetime® customer service at 1-800-225-3865 if you need to order a replacement sticker.

⚠

# WARNING

⚠

Paddle sports can be physically demanding and dangerous.

- ANYONE using this watercraft may be at risk of serious injury or death.
- OBTAIN certified watercraft and first-aid training, and carry first aid and safety/rescue equipment.
- CONSULT a physician PRIOR to beginning your paddle sport training.
- This watercraft is intended for RECREATIONAL USE ONLY.
- This watercraft is NOT intended for mechanical propulsion.
- Scout unfamiliar waters; portage where appropriate.
- NEVER use this watercraft in rough, stormy or whitewater conditions.
- This watercraft is NOT intended to be used as a lifesaving device.
- ALWAYS wear a Coast Guard-approved, personal flotation vest.
- DO NOT allow minors to use this watercraft without adult supervision.
- DO NOT use in areas where dangerous or strong current flows can overcome your ability to control your direction or destination.
- NEVER use drugs or alcohol BEFORE or DURING operation of this watercraft.
- ALWAYS paddle with a buddy in case you require emergency help.
- NEVER use in cold water that may cause hypothermia.
- ALWAYS wear a helmet when appropriate.
- CHECK your equipment PRIOR to each use for signs of wear or failure.
- ALWAYS bring a paddle along when kayaking, in case of a motor or battery malfunction.
- MAXIMUM weight on kayak includes the kayaker, the motor and battery.

12315Z



## MAINTENANCE

Congratulations on your Lifetime® watercraft purchase. By following the instructions below, your new Lifetime® watercraft should provide you with years of service and enjoyment.

### Cleaning and Care

Most stains can be removed using a mild soap and a soft-bristled brush. Abrasive cleaning materials may scratch the plastic and are not recommended. Avoid placing a direct heat source on or near surfaces unless using a heat barrier.

### Helpful Tips For Your Kayak

- ALWAYS store your kayak out of direct sunlight when not in use. Your kayak is manufactured with UV-resistant color, but a kayak stored in direct sunlight will begin to color fade over time.
- Your new kayak is molded of high-density polyethylene resin. PERIODIC cleaning with mild soap and water is recommended to keep your kayak looking new.
- NEVER drag any portion of the kayak over asphalt or any rocky, sandy or abrasive surfaces.
- DO NOT stand or sit on your kayak when out of the water. This can damage the hull.
- During regular use, it is normal to find small amounts of water inside the kayak. Carefully remove the drain plug on the side and tilt the kayak to let the water drain out. Secure the drain plug when finished.
- If your kayak has been exposed to hot sunlight, it is recommended to splash water on the hull to cool the hot surface before it comes in contact with your skin.



## NOTES



## 5-YEAR LIMITED LIABILITY WARRANTY

**THE MANUFACTURER RESERVES THE RIGHT TO MAKE SUBSTITUTIONS TO WARRANTY CLAIMS IF PARTS ARE UNAVAILABLE OR OBSOLETE.**

Your new watercraft is warranted against defects in materials and workmanship for a period of five years (60 months) from the original purchase date. Lifetime Products, Inc. will repair or replace any watercraft hull that should fail due to poor quality in materials or workmanship. A warranted watercraft hull that is deemed to have failed due to misuse or abuse will not be covered by the warranty. This warranty does not cover normal wear by use, or abuse, alterations, unauthorized repairs, or use of the watercraft in a manner other than intended by the manufacturer. Retain this warranty and Manufacturer's Certificate of Origin document with your original purchase receipt. Copies of these documents must be sent with any valid warranty claim. Please keep these documents in a safe, secure place. All warranty claims must first be submitted in writing to Lifetime Products, Inc. PO Box 160010 Clearfield, UT 84016-0010 for determination of service or replacement of any defective watercraft hull. This warranty is in lieu of all other warranties expressed or implied, including warranties of merchantability or fitness for use. Neither Lifetime Products, Inc. nor any representative assumes any other liability in connection with this product. This warranty gives you specific legal rights, and you may also have other rights which vary from State to State.

**Our goods come with guarantees that cannot be excluded under the Australian Consumer Law. You are entitled to a replacement or refund for a major failure and for compensation for any other reasonably foreseeable loss or damage. You are also entitled to have the goods repaired or replaced if the goods fail to be of acceptable quality and the failure does not amount to a major failure.**

### **Hull manufactured in the U.S.A.** with domestic and imported materials

**PLEASE INCLUDE YOUR DATED SALES RECEIPT AND PHOTOGRAPHS OF DAMAGED PARTS.**

REPORT PRODUCT DEFECTS IN WRITING TO:

Lifetime Products, Inc., PO Box 160010 Clearfield, UT 84016-0010  
or dial 1-800-225-3865

**REGISTER YOUR PRODUCT WITHIN 30 DAYS OF PURCHASE FOR QUICKER CUSTOMER SERVICE.**

Visit [www.lifetime.com](http://www.lifetime.com) or dial 1-800-225-3865 to register your product today.

**FOR INTERNATIONAL WARRANTY CLAIMS:**

All warranty claims must be accompanied by a sales receipt. Report all warranty claims in writing to your regional sales support representative. Please include your dated sales receipt and photographs of damaged parts.

To identify the representative for your region, please visit: [www.lifetime.com/international](http://www.lifetime.com/international)



[www.lifetime.com](http://www.lifetime.com)

**ENHANCE YOUR LIFETIME® WATERCRAFT BY ADDING  
ACCESSORIES OR OTHER GREAT PRODUCTS**

---

*To purchase accessories or other Lifetime products, visit us at:*

***www.lifetime.com***

***Or dial 1-800-424-3865***

---



www.lifetime.com

