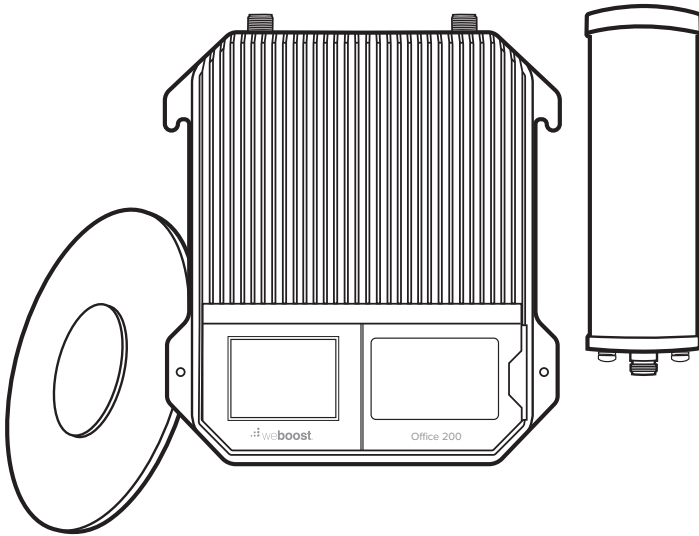


# Office 200

Cell Signal Booster



## Installation Guide

---

# Index

Package Contents .....	1
Preparation .....	3
<b>STEP 1:</b> Inside Antenna & Booster Placement .....	5
<b>STEP 2:</b> Mount Outside Antenna .....	6
<b>STEP 3:</b> Route & Connect Outside Antenna To Booster .....	7
<b>STEP 4:</b> Route & Connect Inside Antenna To Booster .....	8
<b>STEP 5:</b> Power Up The Booster .....	9
Measuring Booster Performance .....	10
Menu System .....	12
Troubleshooting .....	16
Safety Guidelines .....	17
Specifications .....	19
Warranty .....	20

---

# Package Contents

## Office 200 50 Ohm Kit



Office 200  
Booster



Inside  
Antenna  
(314407)



Outside  
Antenna  
(314422)



75' & 60'  
Wilson 400 Cables  
(952360 & 952375)



2' Wilson 400  
Cable  
(952302)



Power  
Supply  
(850026)



Lightning Surge  
Protector  
(859902)



Cable Mounting  
Clips

## Office 200 75 Ohm Kit



Office 200  
Booster



Inside  
Antenna &  
Connector  
(314407)



Outside  
Antenna  
(314423)



75' & 60'  
RG-11 Cables  
(951160 & 951175)



2' RG-11  
Cable  
(951127)



Power  
Supply  
(850026)



Lightning Surge  
Protector  
(859992)



Cable Mounting  
Clips

---

# Key Features



**Extended Dynamic Range (XDR) for continuous connectivity:** XDR lets the Office 200 system work with any incoming signal and never shuts down due to a strong outside signal.



**Simple Wall-Mount Installation:** An indoor and outdoor port are located on top of the amplifier for easy antenna connections, while an exposed mounting flange at each corner of the amplifier provides for simple and clean wall-mount installation.



**Onboard Software for Better Control:** The amplifier is automatically controlled with automatic onboard software, ensuring great connectivity throughout large spaces and multi-story buildings. The amplifier will adjust its gain level up or down as required by the conditions of the immediate signal environment.



**Color LCD Touch Screen:** The Office 200 utilizes a color LCD touch screen for assessing amplifier performance, making adjustments to the outside antenna, and turning bands on and off.

---

# Preparation

## You Will Need (tools not included)

Make sure the following materials are prepared and ready for your installation.



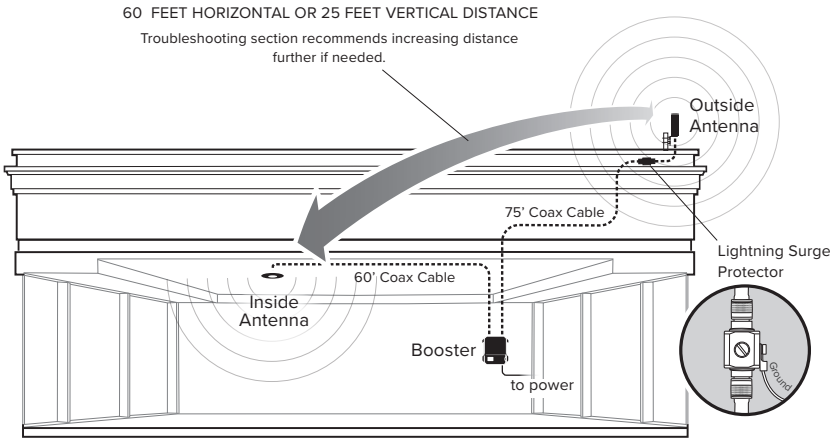
1 to 2 hours



- Ladder
- Drill
- 1" - 2" diameter existing pole for mounting  
Outside Antenna (#901117 Pole Mount can be  
purchased separately if needed)
- Recommended: Power Strip with surge protection

---

# Installation Diagram

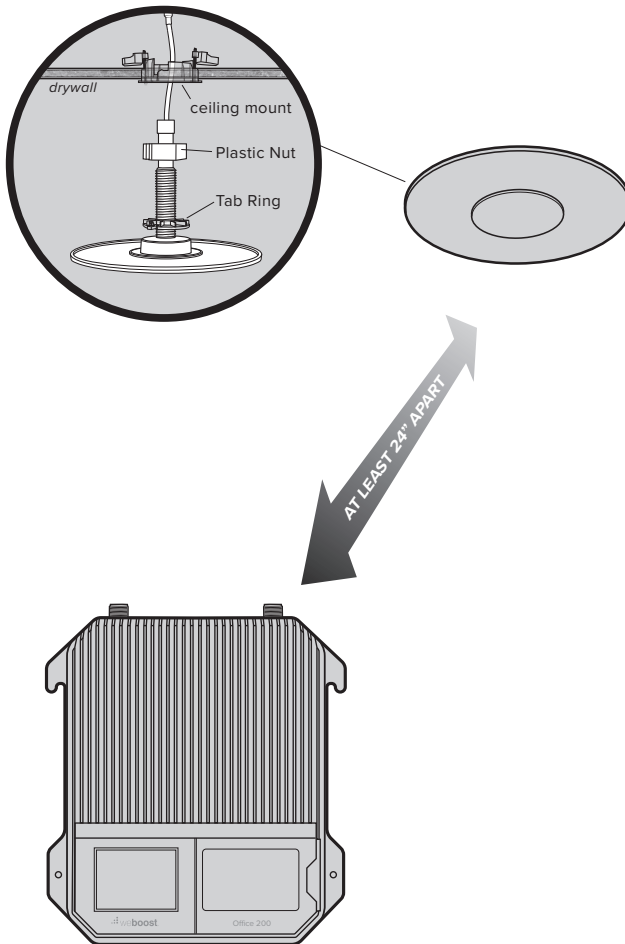


---

# Step 1: Inside Antenna & Booster Placement

Place the **inside antenna** in the ceiling over where you need the greatest signal boost and place **booster** in your desired location at least **24"** away from inside antenna.

NOTE: Do not connect booster to power until the system is fully installed.

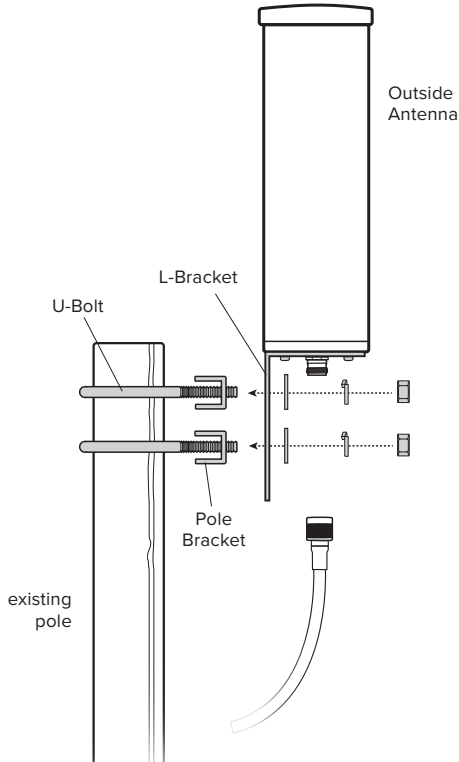


---

# Step 2: Mount Outside Antenna

**Pole mounting and wall mounting options are included.**

Attach the **mount** to the outside antenna and use the **bracket clamp** to attach the antenna to a pole or exhaust pipe.



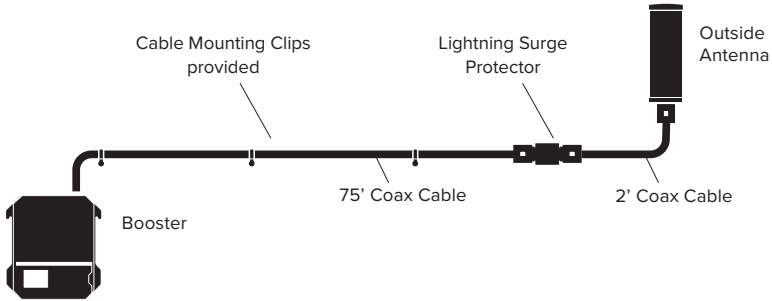
NOTE: Mounting on existing roof exhaust pipe would be a good time-saver option. Watch out for power lines.



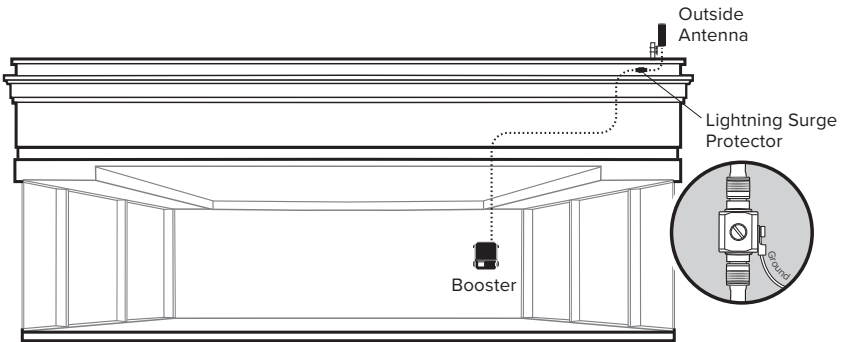
---

# Step 3: Route & Connect Outside Antenna To Booster

Connect **2 ft. coax cable** to **outside antenna**, attach the **lightning surge protector**, then connect the black **75 ft. coax cable** and route into building.



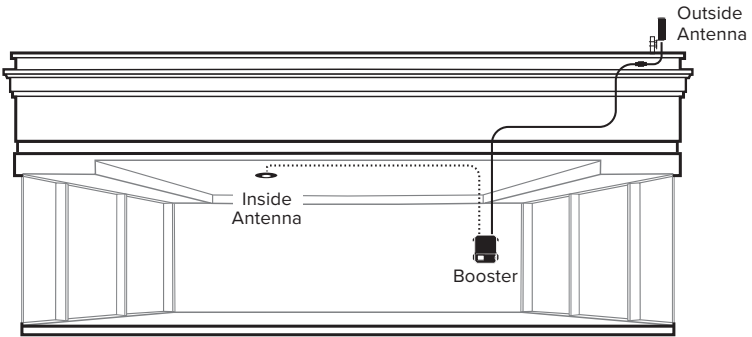
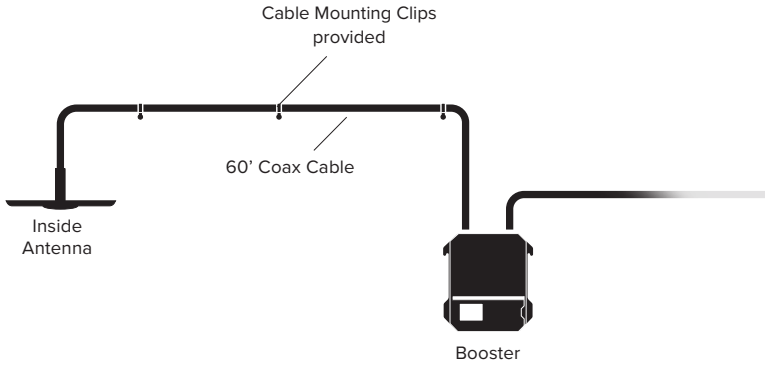
Route cable to the **Office 200 booster** and connect to the port labeled 'OUTSIDE ANTENNA'.




---

# Step 4: Route & Connect Inside Antenna To Booster

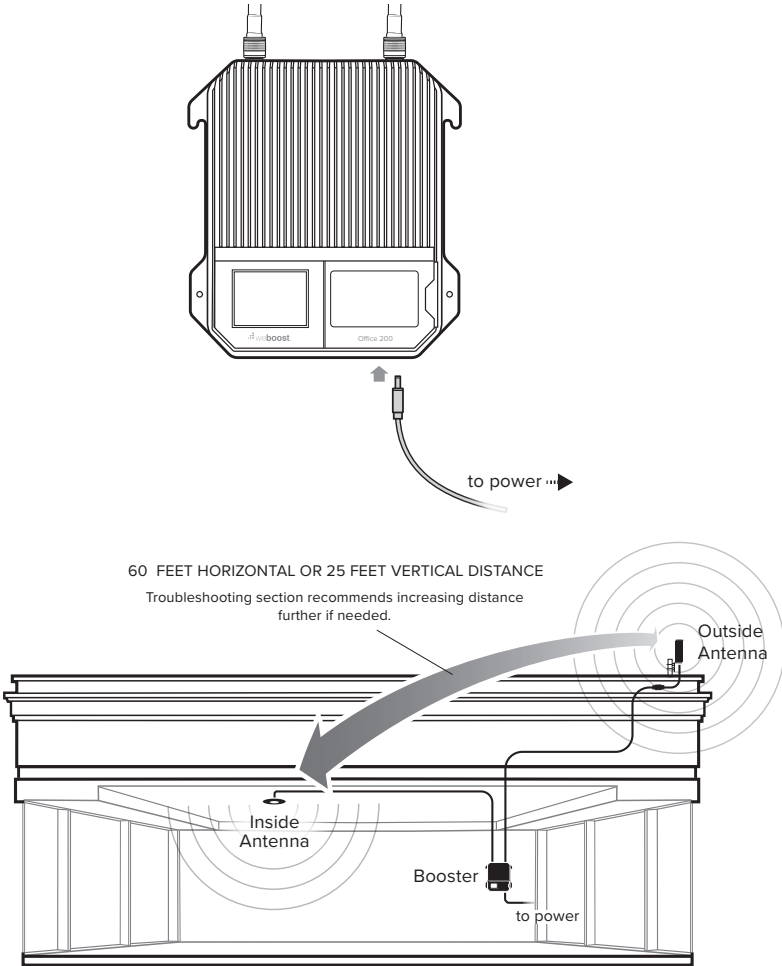
Connect the black **60 ft. coax cable** to inside antenna and route to the **Office 200 booster** and connect to the port labeled 'INSIDE ANTENNA'.



# Step 5: Power Up The Booster

Plug the **power supply** into wall outlet then connect to end of booster labeled “” and enjoy your boosted signal.

NOTE: We strongly recommend using a power strip with surge protection.



---

# Measuring Booster Performance

## How To Get Signal Strength As A Number

### **iPhone®**

iOS 11 and later no longer displays the decibel (dBm) reading in 'Field Test Mode'. Tip: Using the signal bars and performing data speed tests on your cell phone can assist you in finding the strongest signal direction as well as placing calls in different locations. **For changes/updates on this issue, periodically go to [weboost.com/signalstrength](http://www.weboost.com/signalstrength).**

### **Android™**

Settings > About Phone > Status or Network > Signal Strength or Network Type and Strength (exact options/wording depends on phone model).

iPhone is a registered trademark of Apple Inc. Android is a trademark of Google Inc.

## All Other Phones & Alternate Methods

Go to [www.weboost.com/signalstrength](http://www.weboost.com/signalstrength)



(MEASURING BOOSTER PERFORMANCE cont.)

## Signal Strength without Booster






Note here: \_\_\_\_\_

## Signal Strength with Booster

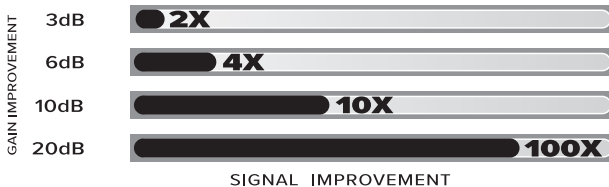
Note here: \_\_\_\_\_

## Compare Results

Having an accurate measurement of signal strength in decibel-milliwatts (dBm) is crucial when installing your system. dBm accurately measure the signal strength you are receiving.

SIGNAL STRENGTH	EXCELLENT 	GOOD 	FAIR 	POOR 	DEAD ZONE 
<b>3G/1x</b>	-70dBm	-71 to -85dBm	-86 to -100dBm	-101 to -109dBm	-110dBm
<b>4G/5G</b>	-90dBm	-91 to -105dBm	-106 to -110dBm	-111 to -119dBm	-120dBm

**DID YOU KNOW** a signal increase of just 3dB is 2 times the power and signal amplification!



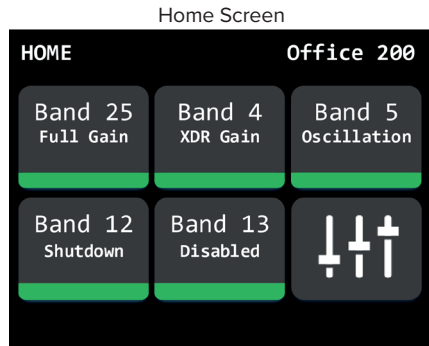
---

# Menu System

The Office 200 takes about 5 seconds to boot up. Once boot up is complete, the home screen will appear, showing the amplification and status of each port and band.



Start Up Screen



## Band Menu Color Description

**GREEN:** A solid green light indicates that a band is operating correctly with maximum allowable gain.

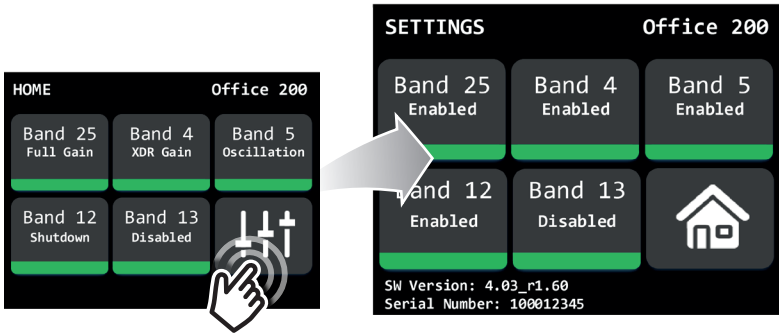
**YELLOW:** A solid yellow light indicates band gain reduction because of an oscillation condition. Reposition antennas (increase separation between indoor and outdoor antennas, and then reboot (turn the unit off & on) the Office 200 to reactivate the band and maximize performance. When adequate separation is achieved, the yellow lights will return to green upon reboot. Note: when the light is yellow, the band is operational; however, performance is reduced.

**RED:** A red light indicates a band has been shut down because of a severe oscillation condition or repeated oscillation. Reposition antennas (increase separation between indoor and outdoor antennas, and then reboot (turn the unit off & on) the Office 200 to reactivate the band and maximize performance. When adequate separation is achieved, the red light(s) will return to green upon reboot.

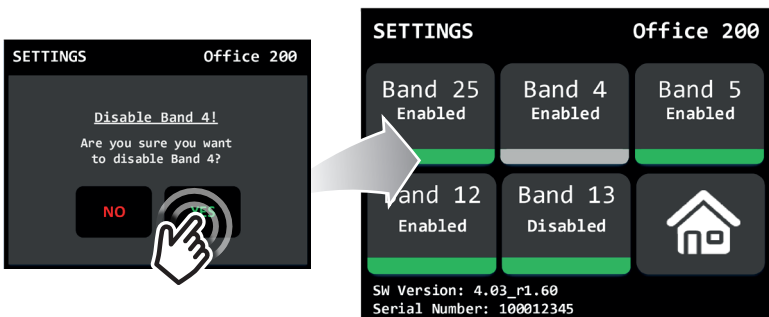
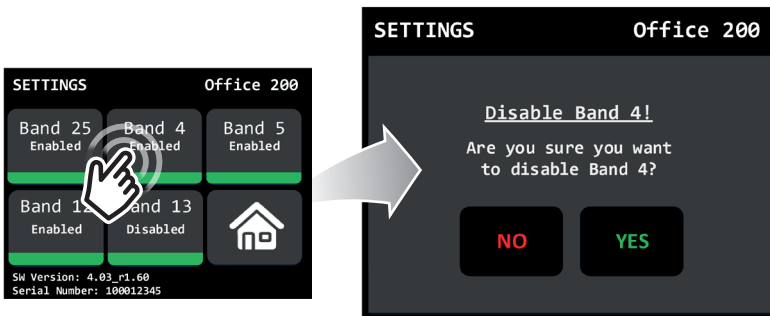
**GRAY:** Gray indicates band has been disabled.

## Settings Screen

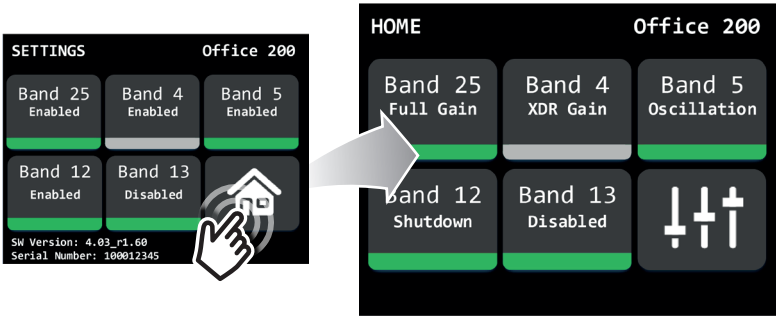
Tap icon to view the **Settings Screen**.



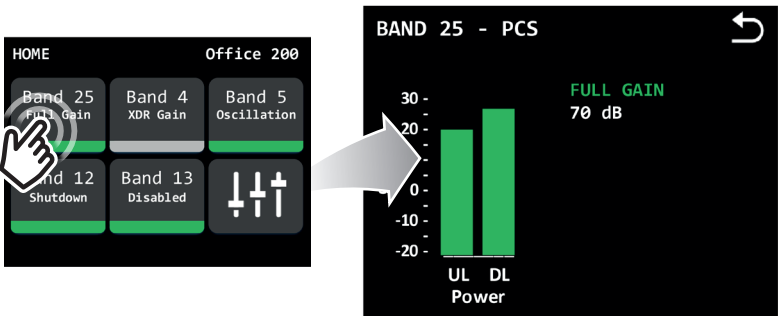
**Bands** can be disabled/enabled by tapping the desired band. Note: disabling a cell band is not recommended. Bands should only be disabled by expert installers.



To go back to the home screen tap on the **home icon**.



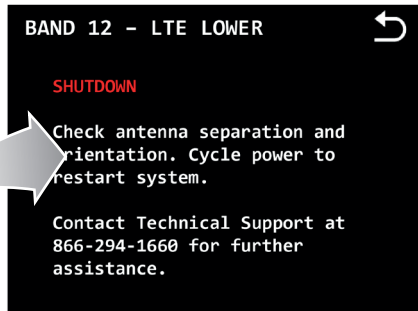
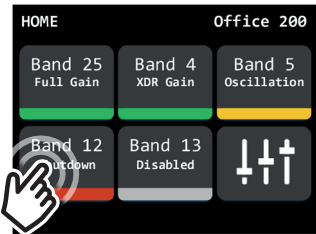
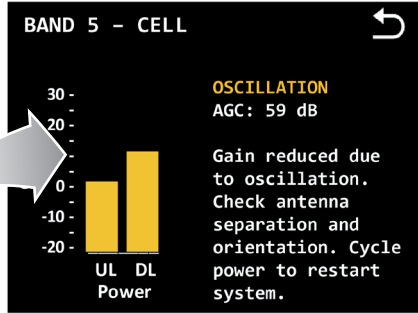
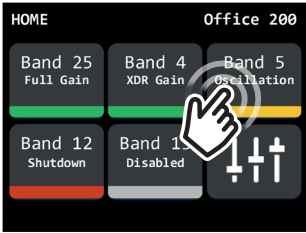
**To view specific band information** (such as the strength of the received uplink & downlink signal, status details and the amplifier gain) tap desired band on the home screen.





By tapping on the desired Band, a more detailed screen will appear for better troubleshooting.

**Note:** If the reduced gain due to oscillation is greater or equal to 60dB, this condition will be displayed as Green instead of Yellow and no action is necessary.



---

# Troubleshooting

**IF YOU ARE HAPPY WITH THE COVERAGE, THESE LIGHT ISSUES DON'T HAVE TO BE RESOLVED. YOUR CARRIER'S BAND HAS NOT BEEN AFFECTED.**

If the bands are any color other than green, use the touchscreen LCD and tap any given band that's not green to see troubleshooting options.

---

**NEED HELP?**



[support.weboost.com](https://support.weboost.com)



866.294.1660

---

---

# Safety Guidelines

Use only the power supply provided in this package. Use of a non-weBoost power supply may damage your equipment.

The signal booster unit is designed for use in an indoor, temperature-controlled environment (less than 100 degrees Fahrenheit). It is not intended for use in attics or similar locations subject to temperatures in excess of that range.

**RF Safety Warning:** Any antenna used with this device must be located at least 8 inches from all persons.

**AWS Warning:** The outside antenna must be installed no higher than 10 meters (31'9") above ground.

## This is a CONSUMER device.

---

**BEFORE USE,** you **MUST REGISTER THIS DEVICE** with your wireless provider and have your provider's consent. Most wireless providers consent to the use of signal boosters. Some providers may not consent to the use of this device on their network. If you are unsure, contact your provider.

You **MUST** operate this device with approved antennas and cables as specified by the manufacturer. Antennas **MUST** be installed at least 20 cm (8 inches) from any person.

You **MUST** cease operating this device immediately if requested by the FCC or licensed wireless service provider.

**WARNING.** E911 location information may not be provided or may be inaccurate for calls served by using this device.

This device may be operated **ONLY** in a fixed location for in-building use.

## FOR MORE INFORMATION ON REGISTERING YOUR SIGNAL BOOSTER WITH YOUR WIRELESS PROVIDER, PLEASE SEE BELOW:

**T-Mobile/MetroPCS:** <https://www.t-mobile.com/support/coverage/register-a-signal-booster>

**Verizon Wireless:** <https://www.verizon.com/solutions-and-services/accessories/register-signal-booster/>

**AT&T/Cricket:** <https://securec45.securewebsession.com/attsignalbooster.com/>

**UScellular:** <https://www.uscellular.com/support/fcc-booster-registration>

# Antenna Kit Options

The following accessories are certified by the FCC to be used with the Office 200 Booster.

	BAND 12/17	BAND 13	BAND 5	BAND 4	BAND 25/2
Outside antenna maximum permissible antenna gain (dBi) 50Ω	4.5	4.2	4.5	4.4	4.7
Inside antenna maximum permissible antenna gain (dBi) 50Ω	-0.4	-0.1	-0.7	2.4	1.6

## FIXED INSIDE ANTENNA KIT OPTIONS

Kit #	Coax Type	Ln(ft)	Antenna Type	Ω
304419	RG-11	60	Dome	75
304412	LMR-400	60	Dome	50
314407	LMR-400	60	Low Profile Dome	50

## FIXED OUTSIDE ANTENNA KIT OPTIONS

Kit #	Coax Type	Ln(ft)	Antenna Type	Ω
314423	RG-11	75	Omni Plus	75
304422	LMR-400	75	Omni Plus	50
304421	RG-11	75	Omni	75
304424	LMR-400	75	Omni	50

# Specifications

Office 200™					
Model Number	460047				
FCC ID	PWO460047				
Connectors	N-Female / F-Female				
Antenna Impedance	50 Ohms / 75 Ohms				
Frequency	698-716 MHz, 729-756 MHz, 777-787 MHz, 824-894 MHz, 1850-1995 MHz, 1710-1755/2110-2155 MHz				
Power output for single cell phone (Uplink) dBm	700MHz Band12/17	700MHz Band13	800MHz Band 5	1700MHz Band 4	1900MHz Band 2/25
	24.0	24.0	25.0	25.0	25.0
Power output for single cell phone (Downlink) dBm	700MHz Band12/17	700MHz Band13	800MHz Band 5	2100MHz Band 4	1900MHz Band 2/25
	15.1	15.1	15.3	15.2	15.2
Noise Figure	5 dB nominal				
Isolation	> 90 dB				

Each Signal Booster is individually tested and factory set to ensure FCC compliance. The Signal Booster cannot be adjusted without factory reprogramming or disabling the hardware. The Signal Booster will amplify, but not alter incoming and outgoing signals in order to increase coverage of authorized frequency bands only. If the Signal Booster is not in use for five minutes, it will reduce gain until a signal is detected. If a detected signal is too high in a frequency band, or if the Signal Booster detects an oscillation, the Signal Booster will automatically turn the power off on that band. For a detected oscillation the Signal Booster will automatically resume normal operation after a minimum of 1 minute. After 5 (five) such automatic restarts, any problematic bands are permanently shut off until the Signal Booster has been manually restarted by momentarily removing power from the Signal Booster. Noise power, gain, and linearity are maintained by the Signal Booster's microprocessor.

This device complies with Part 15 of FCC rules. Operation is subject to two conditions: (1) This device may not cause harmful interference, and (2) this device must accept any interference received, including interference that may cause undesired operation. Changes or modifications not expressly approved by weBoost could void the authority to operate this equipment.

**NEED HELP?**



support.weboost.com



866.294.1660



## 3 YEAR WARRANTY

weBoost Signal Boosters are warranted for three (3) years against defects in workmanship and/or materials. Warranty cases may be resolved by returning the product directly to the reseller with a dated proof of purchase.

Signal Boosters may also be returned directly to the manufacturer at the consumer's expense, with a dated proof of purchase and a Returned Material Authorization (RMA) number supplied by weBoost. weBoost shall, at its option, either repair or replace the product.

This warranty does not apply to any Signal Boosters determined by weBoost to have been subjected to misuse, abuse, neglect, or mishandling that alters or damages physical or electronic properties.

Replacement products may include refurbished weBoost products that have been tested to conform with product specifications.

RMA numbers may be obtained by contacting Customer Support.

**DISCLAIMER:** The information provided by weBoost is believed to be complete and accurate. However, no responsibility is assumed by weBoost for any business or personal losses arising from its use, or for any infringements of patents or other rights of third parties that may result from its use.





3301 East Deseret Drive, St. George, UT

 866.294.1660  [www.weboost.com](http://www.weboost.com)  [support.weboost.com](mailto:support.weboost.com)

Copyright © 2021 weBoost. All rights reserved.  
weBoost products covered by U.S. patent(s) and pending application(s)  
For patents go to: [weboost.com/us/patents](http://weboost.com/us/patents)