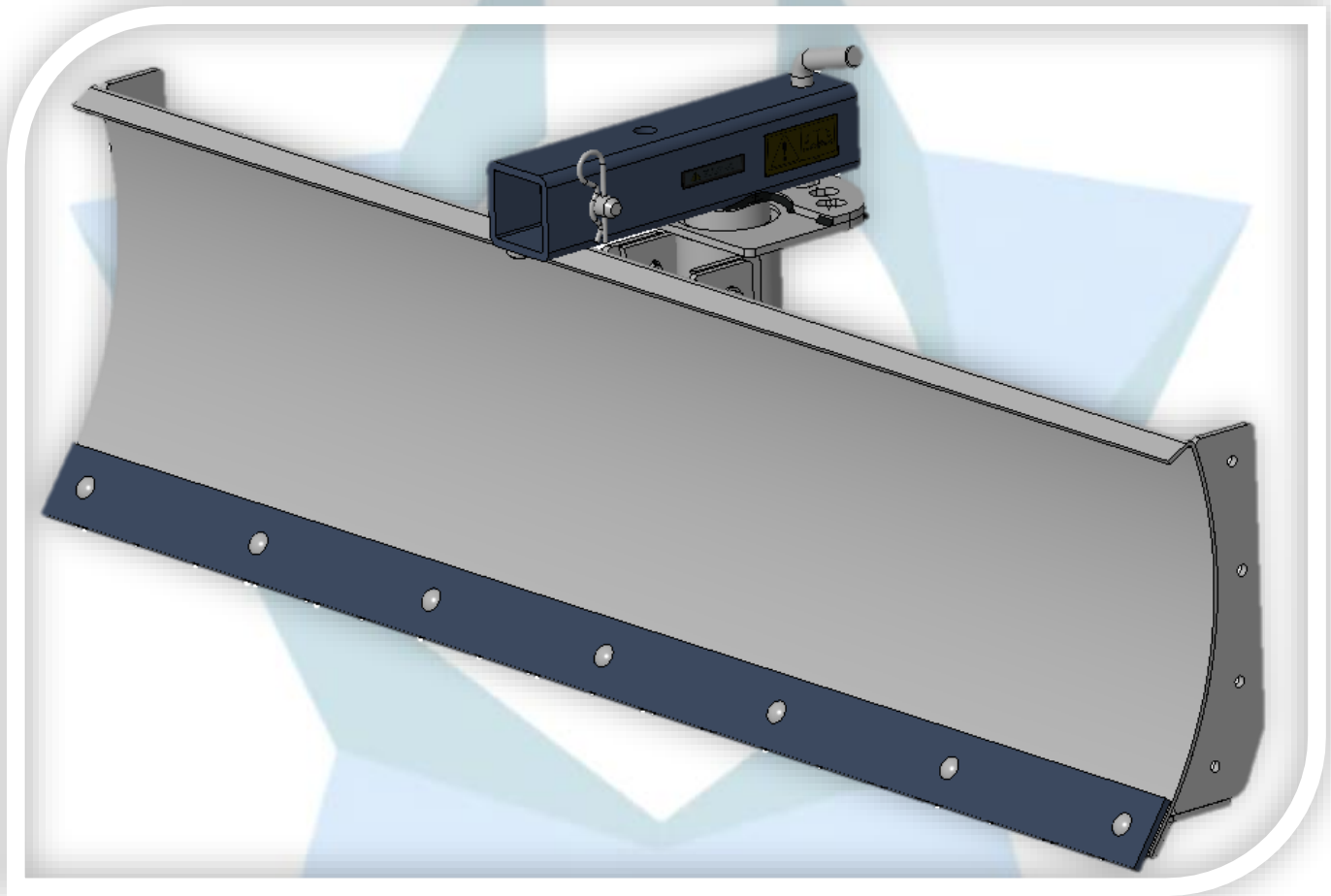




48" SCRAPER BLADE /LEVELER ASSY
MODEL NUMBER – LBL/A001/0023/D
UNIPART ITEM CODE – 53LBLA001

Assembly Manual:-
A00-RD-AM-53LBLA001-D-00



SCAN ME

A00-RD-AR-53LBLA001-D-00

DATE: 05-SEP-2023




Caution

Please Read and Follow all instructions before installation and operation of
48" SCRAPER BLADE /LEVELER ASSY



CAUTION

- Read and follow ATV/UTV and implement manual instructions. 
- Attachments change machine handling characteristics. Slow down. Do not exceed a safe travel speed when implement is attached.
- Add ballast on the front frame to keep at least 20% of machine weight on front wheels to maintain steering control.
- Never carry passengers on power unit or implement.
- Keep hands, arms and feet away from frame and implement components.
- Use 2 people when attaching and unhooking implement.
- Do not drive across steep slopes to prevent tipping over.
- Stop power unit, remove ignition key and wait for all moving parts to stop before adjusting or repairing.
- Always use retainers on mounting pins to prevent unexpected separation.
- Do not exceed engine power capacity. Stop to allow engine to cool if overheating. Adjust implement to reduce load before resuming work.

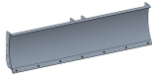
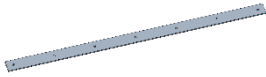





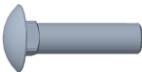
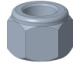



29DCLA010

DATE: 05-SEP-2023

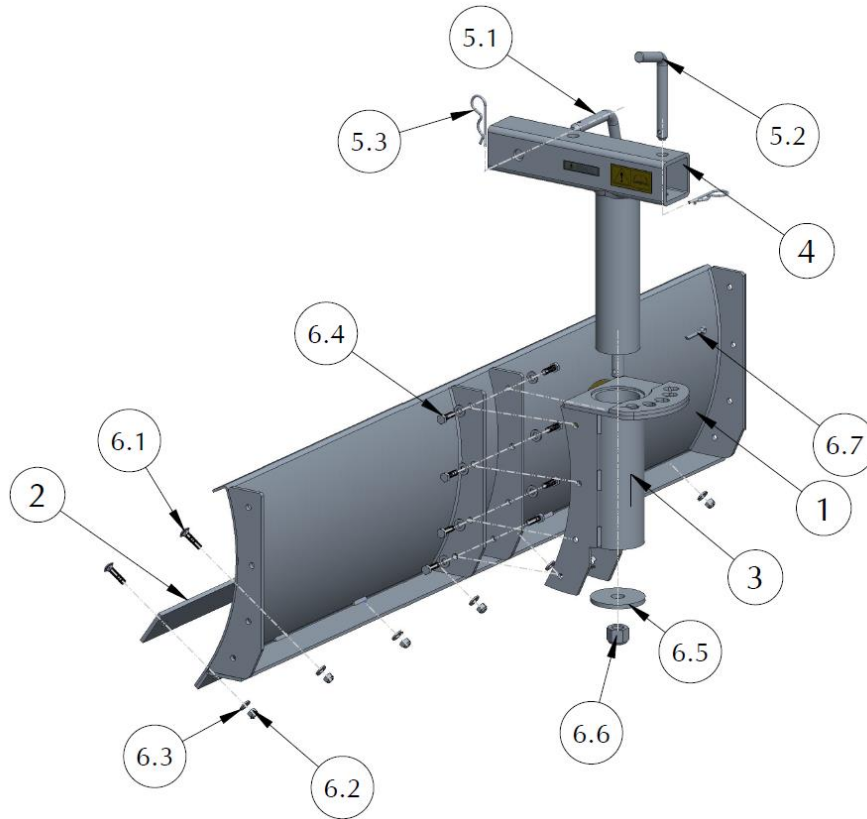


List of Kit Assembly (53LBLA001)

ITEM NO.	DESCRIPTION	ITEM NUMBER	ORDER ITEM NUMBER	QTY	IMAGES
1	LEVELER/SCRAPER L48"	53MISA017S	53MISA017S	1	
2	LEVELER BLADE L 48"	53USPA001S	53USPA001S	1	
3	SWIVEL YOKE ASSY	53MISA018S	53MISA018S	1	
4	SQUARE TUBE ASSY	53MISA019S	53MISA019S	1	
5.1	BENT PIN 5/8"x3"	18BHPA094S	22KITA463	1	
5.2	BENT PIN 5/8"x4"	18BHPA100S		1	
5.3	R-CLIP D1/8"	22RCIA069S		2	
6.1	CARRIAGE BOLT 3/8"-16 L 1"	22SNBA506S	22KITA464	7	
6.2	NYLOCK HEX NUT 3/8"-16	22NYTA532S		7	
6.3	WASHER 3/8"	22FLWA587S		15	
6.4	HEX BOLT 3/8-16" L1"	22HHBA084S		8	
6.5	SPACER OD 3-1/16" ID 13/16"	22FLWA590S		1	
6.6	NYLOCK HEX NUT 3/4"-10	22NYTA534S		1	
6.7	SPLIT PIN 1/4"	22SPL531S		1	

DATE: 05-SEP-2023

EXPLODED VIEW – 48" SCRAPER BLADE /LEVELER ASSY (53LBLA001)



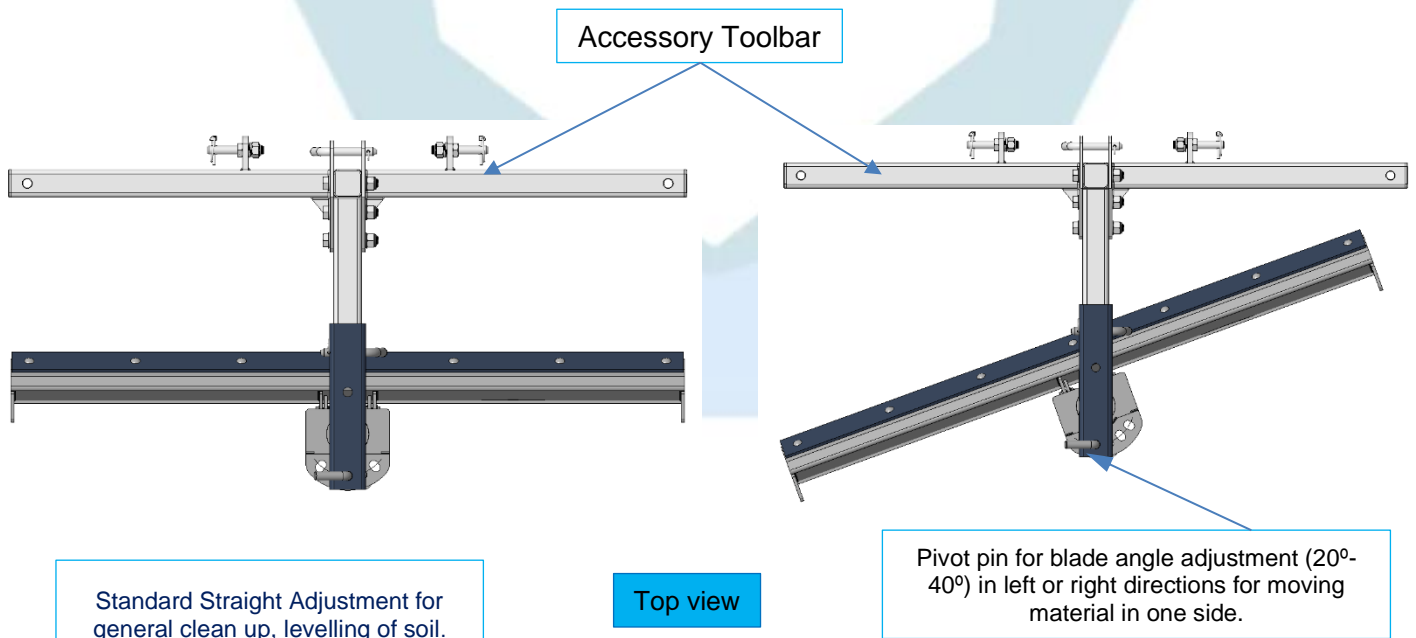
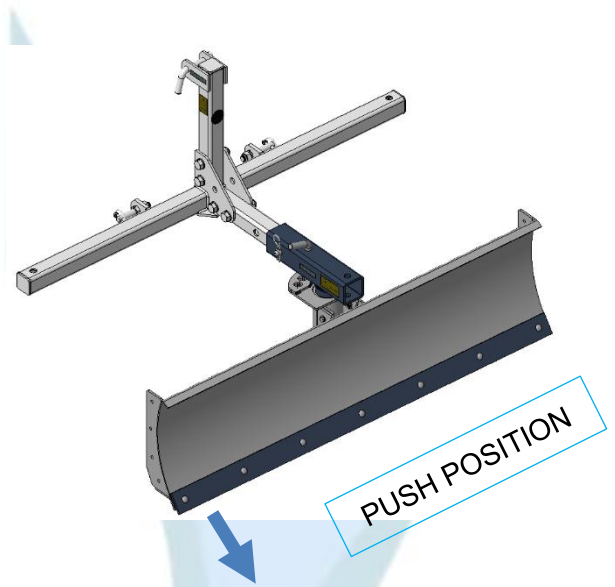
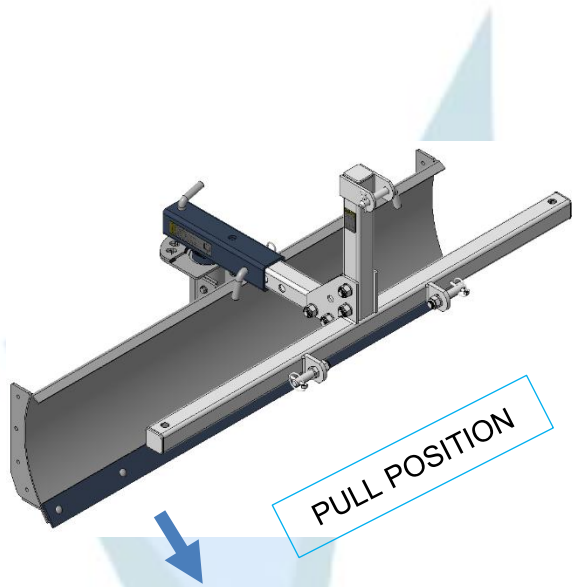
Assembly Instructions:

1. Secure (#2) LEVELER BLADE L 48" to (#1) LEVELER/SCRAPER L48" with (#6.1) CARRIAGE BOLT 3/8"-16 L 1" (#6.3) WASHER 3/8", (#6.2) NYLOCK HEX NUT 3/8"-16.
2. Secure (#3) SWIVEL YOKE ASSY to (#1) LEVELER/SCRAPER L48" with 8 no. of (#6.4) HEX BOLT 3/8-16" L1" and (#6.3) WASHER 3/8".
3. Secure (#4) SQUARE TUBE ASSY to (#3) SWIVEL YOKE ASSY using (#6.5) SPACER OD 3-1/16" ID 13/16" , (#6.6) NYLOCK HEX NUT 3/4"-10 and (#6.7) SPLIT PIN 1/4".
4. Use (#5.2) BENT PIN 5/8"x4" at Pivot Location and lock it with (#5.3) R-CLIP D1/8".
5. Use (#5.1) BENT PIN 5/8"x3" and lock it with (#5.3) R-CLIP D 1/8" to attach the 48" SCRAPER BLADE /LEVELER ASSY with the TOOL BAR ASSEMBLY of the ATV/UTV.

NOTE:- Before using the product in the field , please ensure each time that there are no loose parts. Tighten them properly.

DATE: 05-SEP-2023

Leveler can be used in PUSH or PULL position as shown below:-



DATE: 05-SEP-2023



Uniparts USA Ltd.
1431, Marvin Griffin Road,
Augusta, GA-30906, USA
Phone: 1-706-868-2388
Fax: 1-706-868-4168
technicalsupport@usa.unipartsgroup.com



DATE: 05-SEP-2023