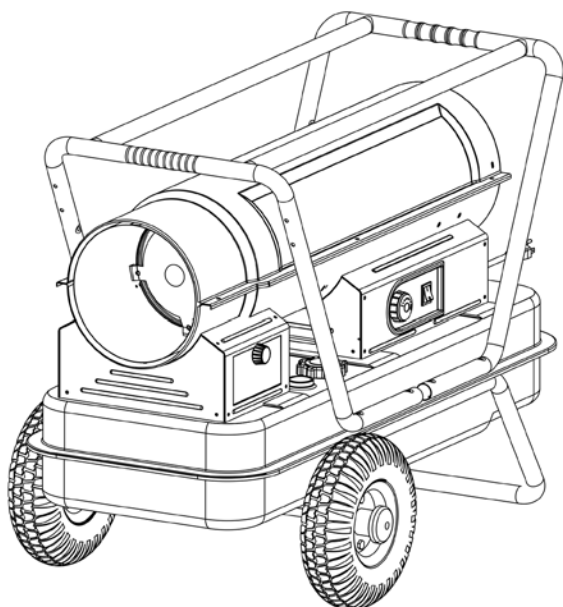




INSTRUCTION MANUAL

**Kerosene Forced-Air Heater
DXH135HD, DXH190HD, DXH215HD**



⚠Warning:

Use only manufacturer's replacement parts. Use of any other parts could cause injury or death. Replacement parts are only available direct from the factory and must be installed by a qualified service agency.

PARTS ORDERING INFORMATION:

PURCHASING: Accessories may be purchased at any DeWALT® local dealer or direct from the factory

FOR INFORMATION REGARDING SERVICE:

Please call Toll-Free 855-805-5745
www.dewalt.com

Our office hours are 8:00 AM – 5:00 PM, EST, Monday through Friday.

Please include the model number, date of purchase, and description of problem in all communication.

LIMITED WARRANTY:

The manufacturer warrants its heaters and accessories to be free from defects in material and workmanship for a period of 1 year from date of purchase. The manufacturer will repair or replace this product free of charge if it has been proven to be defective within the 1-year period, and is returned at customer expense with proof of purchase to the manufacturer within the warranty period.

DeWALT®, GUARANTEED TOUGH® and the yellow and black color scheme are trademarks of the DeWALT Industrial Tool Co., used under license. ©2022 DeWALT. EGI/Enerco Group Inc. Under license from DeWALT Industrial Tool Co

