

NEVER LEAVE THE HEATER UNATTENDED WHILE BURNING!

OPERATING INSTRUCTIONS AND OWNER'S MANUAL

UNVENTED NATURAL GAS FIRED ROOM HEATER



Model # MHVFRD20NGBT MHVFBF20NGBT
 MHVFRD20NGT MHVFBF20NGT
 MHVFRD30NGBT MHVFBF30NGBT
 MHVFRD30NGT MHVFBF30NGT

INSTALLER: Leave this manual with the appliance.
CONSUMER: Retain this manual for future reference.

Plaque Heaters

MHVFRD20NGBT
(Blower Included)
MHVFRD20NGT
(Blower Sold Separate)



MHVFRD30NGBT
(Blower Included)
MHVFRD30NGT
(Blower Sold Separate)



Blue Flame Heaters

MHVFBF20NGBT
(Blower Included)
MHVFBF20NGT
(Blower Sold Separate)



MHVFBF30NGBT
(Blower Included)
MHVFBF30NGT
(Blower Sold Separate)



⚠ WARNING: If the information in this manual is not followed exactly, a fire or explosion may result causing property damage, personal injury, or loss of life.

- Do not store or use gasoline or other flammable vapors and liquids in the vicinity of this or any other appliance.
- **WHAT TO DO IF YOU SMELL GAS**
 - Do not try to light any appliance.
 - Do not touch any electrical switch; do not use any phone in your building.
 - Immediately call your gas supplier from a neighbor's phone. Follow the gas supplier's instructions.
 - If you cannot reach your gas supplier, call the fire department.
- Installation and service must be performed by a qualified installer, service agency or the gas supplier.

This is an unvented gas-fired heater. It uses air (oxygen) from the room in which it is installed. Provisions for adequate combustion and ventilation air must be provided. Refer to Fresh Air for Combustion and Ventilation section on page 4 of this manual.

This appliance may be installed in an aftermarket permanently manufactured (mobile) home, where not prohibited by local codes.

This appliance is only for use with the type of gas indicated on the rating plate. This appliance is not convertible for use with any other gas.

READ INSTRUCTIONS CAREFULLY: Read and follow all instructions. Place instructions in a safe place for future reference. Do not allow anyone who has not read these instructions to assemble, light, adjust or operate the heater.

WARNINGS

⚠️ WARNING: FIRE, EXPLOSION, AND ASPHYXIATION HAZARD
Improper installation, adjustment, alteration, service or maintenance can cause injury or property damage. Refer to this manual for correct installation and operational procedures. For assistance or additional information consult a qualified installer, service agency, or gas supplier. Read and follow instructions and precautions in User's Information Manual provided with this heater.

⚠️ WARNING:
Do not use a blower insert, heat exchanger insert or other accessory not approved for use with this heater.

⚠️ WARNING:
This appliance is equipped for Natural gas. Field conversion is not permitted.

⚠️ WARNING: THIS PRODUCT CAN EXPOSE YOU TO CHEMICALS INCLUDING LEAD AND LEAD COMPOUNDS, WHICH ARE KNOWN TO THE STATE OF CALIFORNIA TO CAUSE CANCER AND BIRTH DEFECTS OR OTHER REPRODUCTIVE HARM. FOR MORE INFORMATION GO TO WWW.P65WARNINGS.CA.GOV

Due to high temperatures, heater should be kept out of traffic and away from furniture and draperies. Do not place clothing or other flammable material on or near the appliance. Children and adults should be alerted to the hazard of high surface temperature and should stay away to avoid burns or clothing ignition. Young children should be carefully supervised when they are in the same room with heater. If the barrier becomes damaged, the barrier shall be replaced with the manufacturer's barrier for this appliance. Any safety screen or guard removed for servicing an appliance must be replaced prior to operating the heater. Installation and repair should be done by a qualified service person. The appliance should be inspected before use and at least annually by a professional service person. More frequent cleaning may be required due to excessive lint from carpeting, bedding material, etc. It is imperative that control compartments, burners, and circulating air passageways of the appliance be kept clean.

Specifications				
MODEL	MHVFRD20NGBT, MHVFRD20NGT	MHVFRD30NGBT, MHVFRD30NGT	MHVFBF20NGBT, MHVFBF20NGT	MHVFBF30NGBT, MHVFBF30NGT
BTU (Available)	18,000	30,000	20,000	30,000
Type of Gas	Natural Gas Only	Natural Gas Only	Natural Gas Only	Natural Gas Only
Ignition	Battery ignitor (1-AAA)	Battery ignitor (1-AAA)	Battery ignitor (1-AAA)	Battery ignitor (1-AAA)
Manifold Pressure	4.5 Inches of Water	4.5 Inches of Water	4.5 Inches of Water	4.5 Inches of Water
Inlet Gas Pressure (Max.)	14 Inches of Water	14 Inches of Water	14 Inches of Water	14 Inches of Water
Inlet Gas Pressure (Min.)	7 Inches of Water	7 Inches of Water	7 Inches of Water	7 Inches of Water
Electrical Rating/Blower*	120V, 60Hz, 1 ∅	120V, 60Hz, 1 ∅	120V, 60Hz, 1 ∅	120V, 60Hz, 1 ∅
Thermostatic Control	Yes	Yes	Yes	Yes
Clearances: Inches (mm)				
Top	36" (91.4 cm)	36" (91.4 cm)	36" (91.4 cm)	36" (91.4 cm)
Sides	10" (25.4 cm)	10" (25.4 cm)	10" (25.4 cm)	10" (25.4 cm)
Floor (min. to top of carpet)	3" (7.6 cm)	3" (7.6 cm)	3" (7.6 cm)	3" (7.6 cm)
Fabric / flammable objects	36" (91.4 cm)	36" (91.4 cm)	36" (91.4 cm)	36" (91.4 cm)

*Blower not included on the following units: MHVFRD20NGT, MHVFRD30NGT, MHVFBF20NGT, MHVFBF30NGT

SOCIAL MEDIA

In order to provide the best service possible Mr. Heater is now giving you more ways to get in touch with us:

WEBSITE: Mr. Heater's full line of product are now at: www.mrheater.com

 FACEBOOK: Find us on Facebook

 TWITTER: Find us on twitter

 YouTube: There are now informational videos on Youtube.

****Operating heater above elevations of 4,500 feet could cause pilot/ODS to shutdown heater.****

PRECAUTIONS:

1. An unvented room heater having an input rating of more than 10,000 BTU (2931 W) (i.e. the MHVFRD20NGBT, MHVFRD20NGT, MHVFRD30NGBT, MHVFRD30NGT, MHVFBF20NGBT, MHVFBF20NGBT, and MHVFBF30NGBT, MHVFBF30NGBT) shall not be installed in a bedroom or bathroom, or any place where a strong wind would shut down the appliance.
2. This heater needs outside ventilation air to run properly. The Oxygen Depletion Sensor (ODS) safety shutoff system shuts down the heater if not enough fresh air is available. See Fresh Air for Combustion and Ventilation, page 5.
3. Keep all air openings in heater clear, free of debris or any blockage. This will ensure that enough air for proper combustion enters the heater.
4. If heater shuts off, do not relight until you provide fresh, outside air. If heater keeps shutting off, it requires servicing.
5. Turn off and let cool before servicing. Only a qualified service person should service and repair heater.
6. Do not run heater:
 - Where flammable liquids or vapors are used or stored
 - During dusty conditions.
7. Before using furniture polish, wax, carpet cleaner or similar products, turn heater off. If heated the vapors from these products may create a white powder residue within burner box or on adjacent walls or furniture.
8. Do not use heater if any part has been underwater. Immediately call a qualified service technician to inspect the room heater and to replace any part of the control system and any gas control which has been underwater.
9. **Operating heater above elevations of 4,500 feet could cause pilot/ODS to shutdown heater.**

Carbon Monoxide Poisoning:

Early signs of carbon monoxide poisoning resemble the flu, with headaches, dizziness, or nausea. If you have these signs, the heater may not be working

CONTENTS

- 2 Warnings
- 3 Specifications
- 3 Precautions
- 4 Installation
- 9 Operation
 - Lighting
 - Shutdown
- 11 Maintenance
- 12 Troubleshooting
- 16 Parts List
- 20 Ordering Parts/Warranty

 **DANGER:** Carbon monoxide poisoning may lead to death.

properly. Get fresh air at once! Have heater serviced. Some people are more affected by carbon monoxide than others. These include pregnant women, persons with heart or lung disease or anemia, those under the influence of alcohol, and those at high altitudes.

Natural Gas:

Natural gas is odorless. An odor making agent is added to natural gas. The odor helps you detect a natural gas leak. However, the odor added to the gas can fade. Gas may be present even though no odor exists. Make certain you read and understand all warnings. Keep this manual for reference. It is your guide to safe and proper operation of this heater.

Safety Device

This heater has a pilot with an Oxygen Depletion Sensor (ODS) safety shut off system. The ODS/pilot shuts off the heater if there is not enough fresh air.

Ignition System/Battery Installation

PIEZO: The heater is equipped with an electronic manual ignitor. This system requires no matches, batteries, or other source to light heater but does require one AAA battery to operate ignitor. To install or replace battery unscrew the ignitor cap (red button), insert battery positive (+) terminal up and replace cap. (AAA Battery included).

Thermostatic Control

These heaters have a control valve with a thermostat sensing bulb. This results in the greatest heater comfort and may result in lower fuel bills.

Blower Fan Control Switch Operation

On models equipped with an electrical blower, the blower switch has three positions: MANUAL, OFF and AUTO. In AUTO, the blower will turn on and off as the heater cycles on and off. On MANUAL, the blower will run continuously. To turn blower off, use the OFF position.

Optional Blower Kit (Sold Separately)

On models not equipped with a blower, an optional blower kit (F299201) is available. Please refer to the instruction sheet that accompanies the blower kit for steps on how to remove knock-out plate and install.

Local Codes

Install and use heater with care. Installation must conform to local codes or in the absences of local codes, use the latest edition of National Fuel Gas Code, ANSI Z223.1/NFPA 54.

Unpacking

1. Remove heater from carton.
2. Remove all protective packaging applied to heater for shipment.
3. Check heater for any shipping damage. If heater is damaged, promptly inform dealer where you bought heater.

FRESH AIR FOR COMBUSTION AND VENTILATION

Establishing Adequate Ventilation

The following are excerpts from National Fuel Gas Code, NFPA 54/ ANSI Z223.1, Section 5.3, Air for Combustion and Ventilation. All spaces in homes fall into one of the three following ventilation classifications:

1. Unusually Tight Construction
2. Unconfined Space
3. Confined Space

This heater must not be installed in a confined space or unusually tight construction unless provisions are provided for adequate combustion and ventilation air. The information on pages 4 and 5 will help you classify your space and provide adequate ventilation.

Unusually Tight Construction

If your home meets all of the three following criteria, you must provide additional fresh air. See Ventilation from Outdoors, page 5.

Unusually tight construction is defined as construction where:

1. Walls and ceilings exposed to the outside atmosphere have a continuous water vapor retarder with a rating of one perm (6×10^{-11} kg per pa-sec- m^2) or less with openings gasketed or sealed and
2. Weather stripping has been added on operable windows and doors, and
3. Caulking or sealants are applied to areas such as joints around windows and door frames, between wall-ceiling joints, between wall panels, at penetrations for plumbing, electrical, and gas lines, and at other openings.

If your home does not meet all of the three criteria above, see Determining the Type of Heater Location Space below.

Product Features

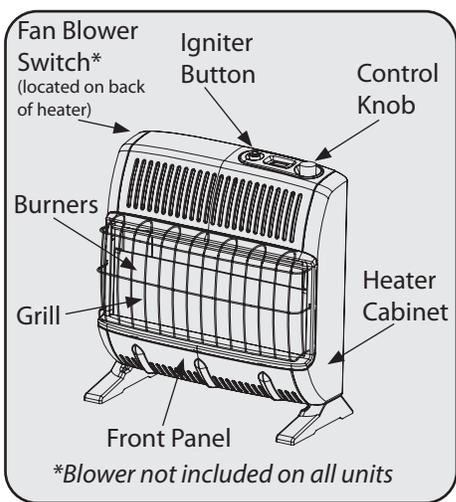


Figure 1

⚠️WARNING: This heater shall not be installed in a confined space or unusually tight construction unless provisions are provided for adequate combustion and ventilation air. Read the following instructions to insure proper fresh air for this and other fuel-burning appliances in your home.

⚠️WARNING: This heater shall not be installed in a room or space unless the required volume of indoor combustion air is provided by the method described in the National Fuel Gas Code, ANSI Z223.1/NFPA 54, the International Fuel Gas Code, or applicable local codes.

Confined Space and Unconfined Space

The National Fuel Gas Code, NFPA 54/ ANSI Z223.1 defines a confined space as a space whose volume is less than 50 cubic feet per 1,000 Btu per hour (4.8 m³ per kW) of the aggregate input rating of all appliances installed in that space, and an unconfined space as a space whose volume is not less than 50 cubic feet per 1,000 Btu per hour (4.8 m³ per kW) of the aggregate input rating of all appliances installed in that space. Rooms communicating directly with the space in which the appliances are installed*, through openings not furnished with doors, are considered a part of the unconfined space.

*Adjoining rooms are communication only if there are doorless passageways or ventilation grills between them.

Determining The Type Of Heater Location Space

Use this method to determine if you have a confined or unconfined space.

Note: The space includes the room in which you install heater plus any adjoining rooms with doorless passageways or ventilation grills between the rooms.

1. Find the volume of the space by multiplying room length x width x height.
Example: Space size 18ft (length) x 18ft. (width) x 8ft. (height) = 2592
If additional ventilation to adjoining room is supplied with grills or openings, add the volume of these rooms to the total volume of the space.

2. Divide the space volume by 50 cubic feet to determine the maximum Btu/hr the space can support.

Example: 2592 cu.ft. (volume of space) / 50 cu.ft. = 51.8 or 51,800 (maximum Btu/hr the space can support)

3. Add the Btu/hr of all the fuel-burning appliances in the space such as, Vent-free heater, Gas water heater, Gas furnace, Vented gas heater, Gas fireplace logs, and other gas appliances*

*Do not include direct-vent gas appliances. Direct-vent draws combustion air from the outdoors and vents to the outdoors.

Example:

Gas water heater	40,000 Btu/hr
Vent Free Heater +	20,000 Btu/hr
Total	=60,000 Btu/hr

4. Compare the maximum Btu/hr the space can support with the actual amount of Btu/hr used.

Example: 51,800 Btu/hr (maximum Btu/hr the space can support)
60,000 Btu/hr (Actual amount of Btu/hr used)
The space in the above example is a confined space because the actual Btu/hr used is more than the maximum Btu/hr the space can support.

You must provide additional fresh air. Your options are as follows:

- a. Rework worksheet, and the space of an adjoining room. If the extra space provides an unconfined space, remove door to adjoining room or add ventilation grills between the rooms. See Ventilation From Inside Building (Fig. 2)
- b. Vent room directly to the outdoors. See Ventilation From Outdoors (Fig. 3).
- c. Install a lower Btu/hr heater if lower Btu/hr size makes room unconfined. If actual Btu/hr used is less than the maximum Btu/hr the space can support, the space is an unconfined space. You will need no additional fresh air ventilation.

Ventilation Air

Ventilation from Inside Building

This fresh air would come from an adjoining unconfined space. When ventilation to an adjoining unconfined space, you must provide two permanent openings: one within 12" of the ceiling and one within 12" of the floor on the wall connecting the two spaces (see options 1 & 2 of figure 2). You can also remove door into adjoining room (see option 3, fig 2). Follow the National Fuel Gas Code NFPA 54/ ANSI Z223.1, Section 5.3, Air for Combustion and Ventilation for required size of ventilation grills or ducts.

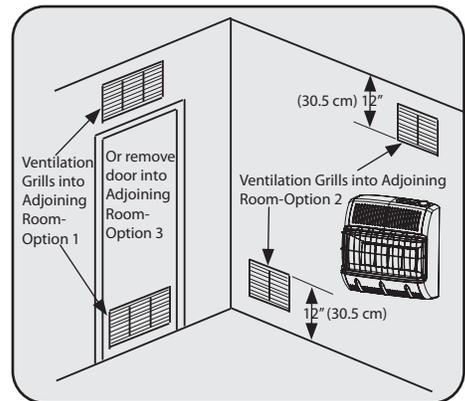


Figure 2

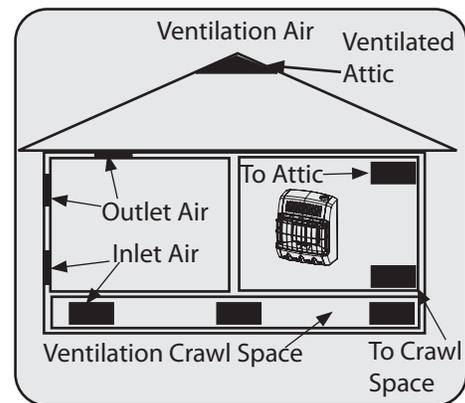


Figure 3

⚠ WARNING: Rework worksheet, adding the space of the adjoining unconfined space. The combined space must have enough fresh air to supply all appliance in both spaces.

⚠ *IMPORTANT: Do not provide openings for inlet or outlet into attic. If attic has a thermostat-controlled power vent, heated air entering the attic will activate the power vent.

⚠ IMPORTANT: Vent-free heaters add moisture to the air. Although this is beneficial, installing heater in rooms without enough ventilation air may cause mildew to form from too much moisture. See **Fresh Air for Combustion and Ventilation**, pages 4 through 5.

⚠ WARNING: Any change to this heater or its controls can be dangerous.

⚠ WARNING: A qualified service person must install heater. Follow all local codes.

Ventilation from Outdoors

If necessary provide extra fresh air by using ventilation grills or ducts. Connect these items directly to the outdoors or spaces open to the outdoors. These include attics* and crawl spaces. Follow the National Fuel Gas Code NFPA 54/ ANSI Z223.1, Section 5.3, Air for Combustion and Ventilation for required size of ventilation grills or ducts.

INSTALLATION

NOTICE: This heater is intended for the use as supplemental heat. Use this heater along with your primary heating system. Do not install this heater as your primary heat source. If you have a central heating system, you may run system's circulating blower while using heater. This will help circulate the heat throughout the house. In the event of a power outage, you can use this heater as your primary heat source for the duration of the outage.

Check Gas Type

Use only Natural gas. If your gas supply is not Natural gas, do not install heater. Call dealer where you bought heater for proper type heater.

This Installation Requires:

Before installing heater, make sure you have the items listed below:

- Piping (check local codes)
- Sealant (resistant to Natural Gas)
- Equipment shutoff valve*
- Ground joint union
- Test gauge connection*
- Sediment trap
- Tee joint
- Pipe wrench

*A CSA/AGA certified equipment shutoff valve with 1/8" NPT tap is an acceptable alternative to test gauge connection. Purchase a CSA/AGA certified equipment shutoff valve from your dealer.

Locating Heater

This heater is designed to be mounted on the wall. The heater can also be located on a non-combustible floor, away from a wall by using the floor mounting stands included with the heater. If installed on combustible flooring such as carpeting, tile or other

combustible material other than wood flooring, the heater must be placed on a metal or wood panel extending the full width and depth of the appliance.

For convenience and efficiency, install the heater:

- Where there is easy access for operation, inspection, and service.
- In the coldest part of the room.
- If planning to use fan, locate heater near an electrical outlet.

Fastening Heater to Wall

Mounting Bracket

The mounting bracket is located on the back panel of heater. See Figure 5. It has been taped there for shipping. Remove mounting bracket from back panel.

Removing Front Panel of Heater

1. Remove (4) screws total there are (2) screws on either side of the heater. See Figure 6.
2. Pull the front panel and back panel apart.

Attaching Mounting Bracket to Wall

Use holes on each end of mounting bracket to attach bracket to wall. These holes are 16 inches apart. Attach mounting bracket to wall in one of two following ways.

1. Attach to wall studs
2. Attach to wall anchor

Decide which way best suits your needs. Either method will provide a secure hold for the mounting bracket.

CAUTION: If you install the heater in a home garage:

- Heater **pilot** and burner must be at least 18 inches above floor.
- Locate **heater** where moving vehicle will not hit it.

CAUTION: This heater creates warm air currents. These currents move heat to wall surfaces next to heater. Installing heater next to vinyl or cloth wall covering or operating heater where impurities (such as tobacco smoke, aromatic candles, cleaning fluids, oil or kerosene lamps, etc.) are present in the air may discolor walls.

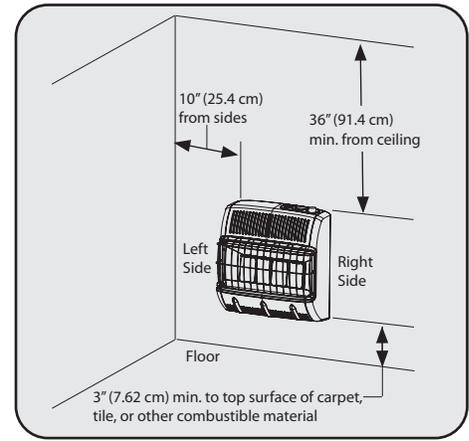


Figure 4

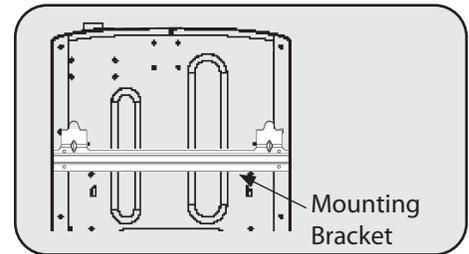


Figure 5

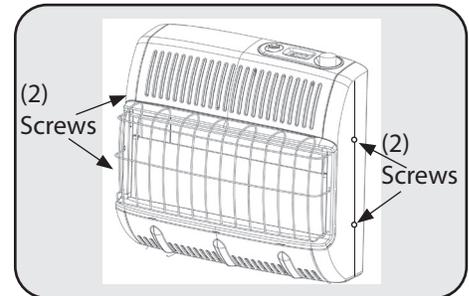


Figure 6

WARNING: Never install the heater:

- In a bedroom (MHVFRD20NGBT, MHVFRD20NGT, MHVFRD30NGBT, MHVFRD30NGT, MHVFBF20NGBT, MHVFBF20NGBT, MHVFBF30NGBT, MHVFBF30NGBT).
- In a recreational vehicle.
- Where curtains, furniture, clothing, or other flammable objects are less than 36 inches from the front, top, or sides of the heater.
- As a fireplace insert
- In high-traffic areas
- In windy or drafty areas

WARNING: Heater must be mounted to maintain the minimum clearances shown in Figure 4. If possible, provide greater clearances from the floor, ceiling, and joining walls.

Attaching to Wall Stud

This way is the best providing the strongest mounting in wood frame houses.

For attaching mounting bracket to wall studs:

1. Drill holes at marked locations using 9/64" drill bit.
2. Place mounting bracket onto wall. Line up holes on each end of bracket with hole drilled in wall.
3. Insert mounting screws through bracket and into wall studs.
4. Tighten screws until mounting bracket is firmly fastened to wall studs.

Attaching to Wall Anchor

This way allows you to attach mounting bracket to hollow walls (wall areas between studs) or to solid walls (concrete or masonry).

1. Tape mounting bracket to wall where heater will be located. Make sure mounting bracket is level. For wall stud mounting locate one end of the mounting bracket over a wall stud.
2. Mark screw locations on wall. See figure 7.
3. Remove tape and mount bracket to wall.

Note: Wall anchors, mounting screws, and spacer are in hardware package. The hardware package is provided with heater.

4. Drill holes at marked locations using 5/16" drill bit. For solid walls (concrete or masonry), drill at least 1" deep.
5. Fold wall anchor as shown in Figure 8 below.
6. Insert wall anchor (wings first) into hole. Tap anchor flush to wall.
7. For thin walls (1/2" or less) insert red key into wall anchor.
8. Place mounting bracket onto wall. Line up holes on each end of bracket with wall anchors.
9. Insert mounting screws through bracket and into wall anchors.
10. Tighten screws until mounting bracket is firmly fastened to wall.

Placing Heater on Mounting Bracket

1. Locate two horizontal slots on back pane of heater. See Figure 9.

2. Place heater onto mounting bracket. Slide horizontal slots onto stand-out tabs on mounting bracket.

Installing Bottom Mounting Screws

1. Locate two bottom mounting holes. These holes are near bottom on back panel of heater. See Figure 10.
2. Mark screws locations on wall.
3. Remove heater from mounting bracket.
4. If installing bottom mounting screw into hollow or solid wall, install wall anchors. Follow steps 1 through 4 under Attaching to Wall using Anchor. If installing bottom mounting screw into wall stud, drill holes at marked locations using 9/64" drill bit.
5. Re-place heater onto mounting bracket.
6. Place spacers between bottom mounting holes and wall anchor or drilled hole.
7. Hold spacer in place with one hand. With the other hand, insert mounting screw through bottom mounting hole and spacer. Place tip of screw in opening of wall anchor or drilled hole.
8. Tighten both screws until heater is firmly secured to wall. Do not over tighten.

Note: Do not re-place front panel at this time.

9. Replace front panel after making gas connections and checking for leaks.

Floor Mounting Away From Wall

Installing Support Feet (See Figure 11):

1. Lay heater onto table on its back with bottom edge overhanging table edge.
2. Securely attach feet to bottom of heater using 2 – self-tapping screws each.

Note: Feet should have long end going out the front of heater, and the edge coinciding with side of heater. If feet overhang side of the heater, switch leg location.

3. Place heater on non-combustible surface (see Locating Heater, page 6) before proceeding with gas connection. If this will be a permanent location, heater may be locked into position using anchoring holes in mounting feet.

Note: Use of floor mounting feet will require you to use a 3/8 NPT street elbow to make gas connection.

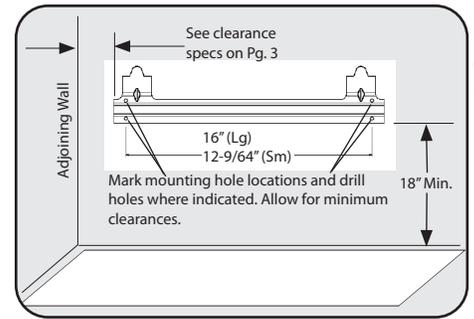


Figure 7

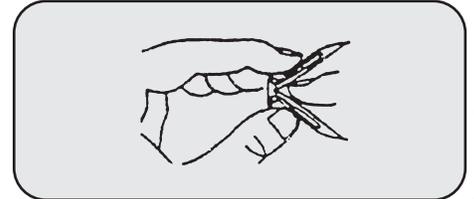


Figure 8

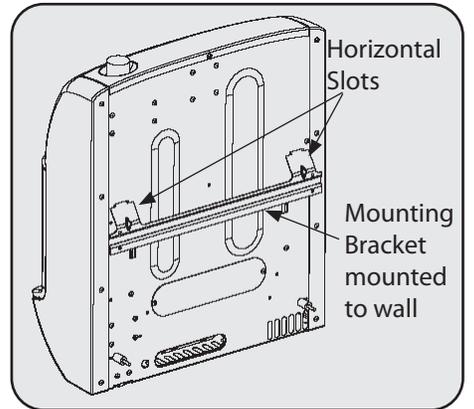


Figure 9

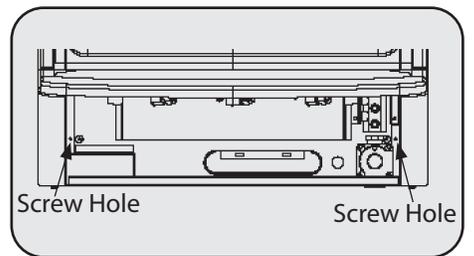


Figure 10

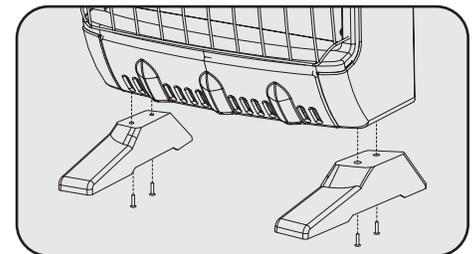


Figure 11

WARNING: Maintain minimum clearances shown in Figure 7. If you can, provide greater clearances from the floor and joining wall.

Connecting to Gas Supply

Installation must include an equipment shutoff valve, union and plugged 1/8" NPT tap. Locate NPT tap within reach of test gauge hookup. NPT tap must be upstream from heater. See Figure 12.

*A CSA/AGA certified equipment shutoff valve with 1/8" NPT tap is an acceptable alternative to test gauge connection. Purchase the CSA/AGA certified equipment shutoff valve from your dealer.

IMPORTANT: Install an equipment shutoff valve in an accessible location. The equipment shutoff valve is for turning on or shutting off the gas to the appliance.

Apply pipe joint sealant lightly to male threads. This will prevent excess sealant from going into pipe. Excess sealant in pipe could result in clogged heater fuel train.

Install sediment trap in supply line as shown in Figure 12. Locate sediment trap where it is within reach for cleaning. A sediment trap traps moisture and contaminants. This keeps them from going into heater. If sediment trap is not installed or is installed improperly, heater may not run correctly.

IMPORTANT: Hold pressure regulator with wrench when connecting it to gas piping and/or fittings.

PRESSURE TESTING GAS SUPPLY PIPING SYSTEM

High Pressure

Test pressure in Excess of 1/2 psig (3.5kPa)

1. The appliance and its appliance main gas valve must be disconnected from the gas supply piping system during any pressure testing of that system at test pressures in excess of 1/2 psi (3.5 kPa).

2. Cap off open end of gas pipe where equipment shutoff valve was connected.
3. Pressurize supply piping system by either using compressed air or opening main gas valve on or near gas meter.
4. Check all connections and joints in gas supply piping system. Apply mixture of liquid soap and water to gas joints. Bubbles forming show a leak.
5. Correct all leaks at once.
6. Depressurize and relieve pressure in supply piping system.
7. Reconnect heater and equipment shutoff valve to gas supply.
8. Reconnected fittings must be checked for leaks in next section.

WARNING: Test all gas piping and connections for leaks after installing or servicing. Correct all leaks at once.

WARNING: Never use an open flame to check for a gas leak. Apply a mixture of liquid soap and water to all joints. Bubbles forming show a leak. Correct all leaks at once.

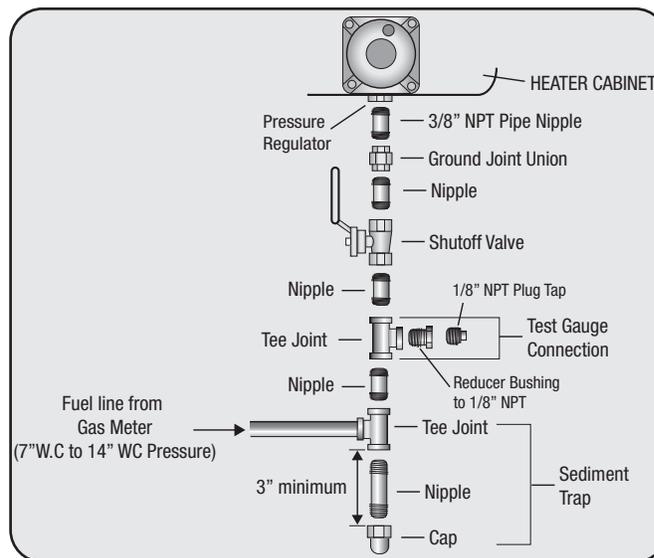


Figure 12

WARNING: A qualified service person must connect heater to gas supply. Follow all local codes.

WARNING: This appliance requires a 3/8" NPT (National Pipe Thread) inlet connection to the pressure regulator. Use of floor mounting feet will require you to use a 3/8 NPT street elbow to make gas connection.

CAUTION: Never connect heater directly to private (non-utility) gas well. This gas is commonly known as well-head gas.

IMPORTANT: Check your gas line pressure before connecting heater to gas line. Gas line pressure must be no greater than 14 inches of water. If gas line pressure is higher, heater regulator damage could occur.

CAUTION: Use only new black iron or steel pipe. Internally-tinned copper tubing may be used in certain areas. Check your local codes. Use pipe of large enough diameter to allow proper gas volume to heater. If pipe is too small, undue loss of pressure will occur.

CAUTION: Use pipe joint sealant that is resistant to Natural Gas.

Low Pressure

Test Pressure Equal To or Less Than 1/2 psig (3.5 kPa)

1. The appliance must be isolated from the gas supply piping system by closing its equipment shutoff valve during any pressure testing of the gas supply piping system at test pressures equal to or less than 1/2 psi (3.5 kPa). See Figure 13.
2. Pressurize supply piping system by either using compressed air or opening main gas valve on or near gas meter.
3. Check all joints and joints in gas supply piping system. See Figure 14. Apply mixture of liquid soap and water to gas joints. Bubbles forming show a leak.
4. Correct all leaks at once.
5. Depressurize and relieve pressure from supply piping system.

Pressure Testing Heater Gas Connections

1. Make sure that the heater supply piping system is connected and has been leak tested as described above.
2. Make sure control knob of heater is in OFF position.
3. Open equipment shutoff valve. See Figure 13.
4. Open main gas valve on or near gas meter.
5. Check all joints from equipment shutoff valve to control valve. See Figure 14. Apply mixture of liquid soap and water to gas joints. Bubbles forming show a leak.
6. Correct all leaks at once.
7. Light heater. See Operating Your Heater.
8. Turn off heater. See To Turn OFF Gas to Appliance.
9. Replace lower front panel.

Electrical Wiring Diagram

If any original wiring as supplied with the heater must be replaced, it must be replaced with type AWG 105°C wire or its equivalent except as indicated. Refer to Figure 15.

OPERATING YOUR HEATER For Your Safety Read Before Lighting

- A. This appliance has a pilot that must be lit by hand. When lighting the pilot, follow these instructions exactly.
- B. BEFORE LIGHTING smell all around the appliance area for gas. Be sure to smell next to the floor because some gas is heavier than air and will settle on the floor.

WHAT TO DO IF YOU SMELL GAS

- Shut off gas supply.
 - Do not try to light any appliance.
 - Do not touch any electrical switch; do not use any phone in your building.
 - Immediately call you gas supplier from a neighbor's phone. Follow the gas supplier's instructions.
 - If you can not reach your gas supplier, call the fire department.
- C. Use only your hand to push in or turn the gas control knob. Never use tools. If knob will not push in or turn by hand, don't try to repair it; call a qualified service technician or gas supplier. Force or attempted repair may result in a fire or explosion.
 - D. Do not use this appliance if any part has been underwater. Immediately call a qualified service technician to inspect the appliance and to replace any part of the control system which has been under water.

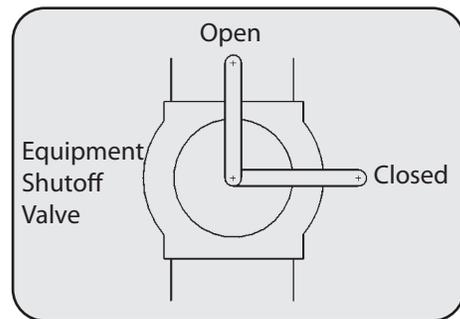


Figure 13

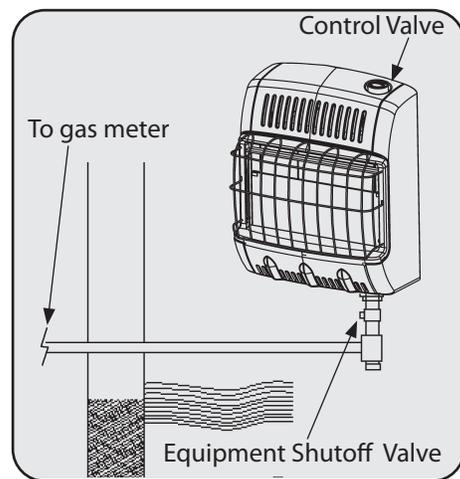


Figure 14

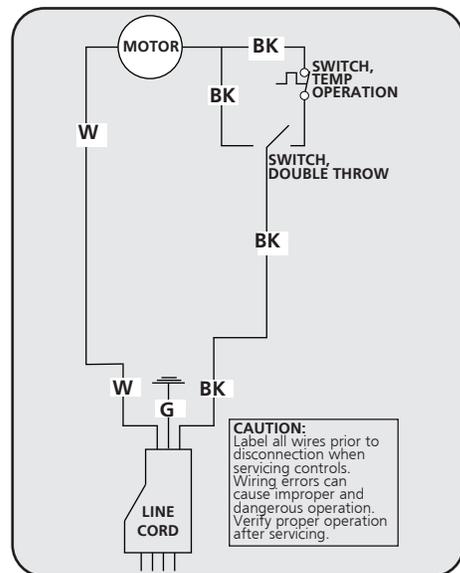


Figure 15

⚠️WARNING: Electrical Grounding Instructions: This heater is equipped with a three-prong (grounding) plug for your protection against shock hazard and should be plugged into a properly grounded three prong receptacle.

Lighting Instructions

1. **STOP!** Read the all safety information included with and on the side of heater.
2. Check that gas supply to heater is on.
3. Push in gas control knob and slightly turn clockwise ↻ to the OFF position See Figure 16.

Note: Knob cannot be turned from PILOT to OFF unless knob is pushed in slightly. Do not force.

4. Wait five (5) minutes to clear out any gas. Then smell for gas, including near the floor. If you smell gas, **STOP!** Follow "B" in the safety information above. If you do not smell gas, go to the next step.
5. Turn counterclockwise ↻ to PILOT/IGN, if knob does not turn then slightly depress and turn. Once knob is in PILOT/IGN depress for five (5) seconds.

Note: The first time that the heater is operated after connecting the gas supply, the control knob should be depressed for about 30 seconds. This will allow air to bleed from the gas system.

6. With control knob pressed in, push down and release the igniter button. This will light pilot. If needed keep pressing igniter button until pilot lights.
7. Keep control knob pressed in for (30) seconds after lighting pilot. After 30 seconds, release control knob.
 - If pilot does not stay lit, refer to Troubleshooting, pages 12-15. Also, contact a qualified service person or gas supplier for repairs.
 - If control knob does not pop up when released, contact a qualified service person or gas supplier for repairs.

8. When the pilot is lit, turn the control knob counterclockwise ↻ to heating level. The main burner should light.
9. To select the desired heat level, turn the temperature setting knob to desired comfort setting from 1 to 5.

To Turn Off Gas To Appliance

SHUTTING OFF HEATER:

1. Turn off equipment shutoff valve.
2. Turn control knob clockwise ↻ to the OFF position.

SHUTTING OFF BURNER ONLY (PILOT STAYS LIT)

1. Turn control knob clockwise ↻ to the PILOT/IGN position.

THERMOSTAT CONTROL OPERATION

FOR MHVFRD20NGBT, MHVFRD20NGT, MHVFRD30NGBT, MHVFRD30NGT:

The thermostatic control simply turns on and off the burner.

FOR MHVFBF20NGBT, MHVFBF20NGT, MHVFBF30NGBT, MHVFBF30NGT:

The thermostatic control modulates the flame size as the temperature gets closer to set point, then it turns off the burner upon reaching temperature.

The burner will cycle back on when room temperature drops below the set temperature. The control knob can be set to any heat level between 1 and 5.

INSPECTING BURNER

Check pilot flame pattern and burner flame pattern often.

PILOT FLAME PATTERN

Figure 17 show a correct pilot flame pattern and also shows an incorrect pilot flame pattern. The incorrect pilot flame pattern is not touching thermocouple. This will cause the thermocouple to cool. When the thermocouple cools, the heater will shut down. If pilot flame pattern is incorrect, as shown in Figure 17:

- Turn heater off (refer back to **To Turn Off Gas to Appliance**)
- See **Troubleshooting**, pages 12-15.

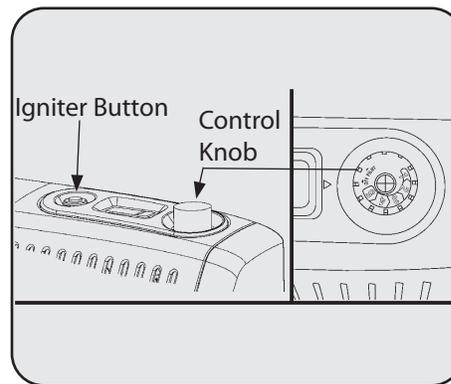


Figure 16

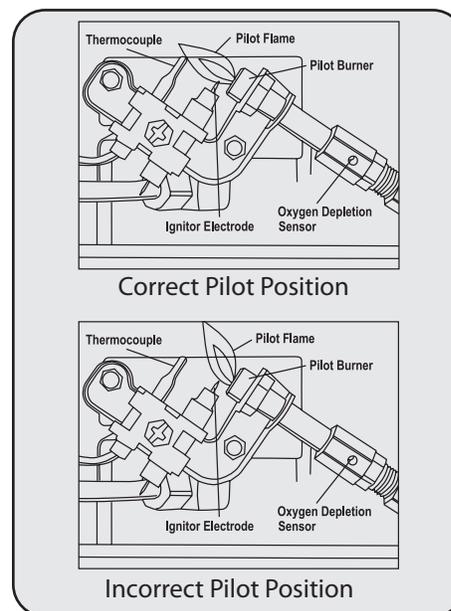


Figure 17

⚠️WARNING: If you do not follow these instructions exactly, a fire or explosion may result causing property damage, personal injury or loss of life.

⚠️CAUTION: Do not try to adjust heating level by using equipment shutoff valve.

CLEANING AND MAINTENANCE

For maintenance of the inside cabinet or to access the burner and pilot assembly for cleaning or service. Remove the four screws (two located on each side) that secure the front shell to the unit. Refer to Figure 6. Gently lift up on the front shell to disengage the hooks and pull forward to remove it. You will now be able to access all of the internal components of the appliance.

Make sure grille guard is in place before running heater. If screen or grille guard is removed for servicing it must be replaced prior to operating the heater.

CLEANING ODS/PILOT AND BURNER

- Use as vacuum cleaner, pressurized air or small soft bristled brush to clean.

CLEANING BURNER PILOT AIR HOLE INLET

We recommend that you clean the unit every 2,500 hours of operation or every three months. We also recommend that you keep the burner tube and pilot assembly clean and free of dust and dirt. To clean these parts we recommend using compressed air no greater than 30 psig.

This can be done by using a vacuum cleaner in the blow position or using compressed air in a can. If using canned air please follow the directions on the can. If you don't follow directions on the can you could damage the burner or pilot assembly. In addition, the directions below should also be followed.

1. Shut off the unit, including the pilot. Allow the unit to cool for at least thirty minutes.
2. Inspect burner and pilot for dust and dirt.
3. Blow air through the port/slots and holes in the burner.

A yellow tip on the pilot flame indicates dust and dirt in the pilot assembly. To clean the pilot assembly find the small pilot air inlet hole about two inches from where the pilot flame comes out of the pilot assembly. See Figure 18. With the unit off, lightly blow air through the air inlet hole. You may blow through a drinking straw if compressed air is not available.

CLEANING HEATER CABINET**Air passageways**

- Use a vacuum cleaner or pressurized air to clean

Exterior

- Use a soft cloth dampened with a mild soap and water mixture. Wipe the cabinet to remove dust.

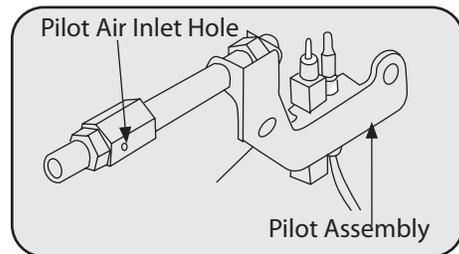


Figure 18

⚠ WARNING: Turn off heater and let cool before servicing.

⚠ CAUTION: You must keep control areas, burner and circulation air passageways of heater clean. Inspect these areas of heater before use. Have the heater inspected yearly by a qualified service person. Heater may need more frequent cleaning due to excess lint from carpeting, bedding material, pet hair, etc.

⚠ WARNING: Failure to keep the primary air opening(s) of the burner(s) clean may result in sooting and property damage.

NOTE: All troubleshooting items are listed in order of operation and likely occurrence.

IMPORTANT: Operating heater where impurities in air exist may create odors. Cleaning supplies, paint, paint remover, cigarette smoke, cements and glues, new carpet or textiles, etc., create fumes. These fumes may mix with combustion air and create odors and possible discoloration of walls and ceilings.

⚠️WARNING: If you smell gas:

- Shut off gas supply
- Do not try to light any appliance
- Do not touch any electrical switch; do not use any phone in your building
- Immediately call you gas supplier from a neighbor's phone. Follow the gas supplier's instructions.
- If you cannot reach your gas supplier, call the fire department.

⚠️WARNING: Only a qualified service person should service and repair heater.

⚠️CAUTION: Never use a wire needle, or similar object to clean ODS/pilot. This can damage ODS/pilot unit. Make sure grille guard is in place before running heater. If screen or grille guard is removed for servicing it must be replaced prior to operating the heater.

SYMPTOM

- **When igniter button is pressed in, there is no spark at pilot.**

CAUSE	REMEDY
1. Igniter electrode positioned wrong.	1. Reposition electrode.
2. Igniter electrode is broken.	2. Replace electrode.
3. Igniter electrode not connected to igniter.	3. Reconnect igniter cable.
4. Igniter cable pinched or wet.	4. Free igniter cable if pinched by any metal or tubing. Keep igniter cable dry.
5. Broken igniter cable.	5. Replace igniter cable.
6. Bad Piezo igniter.	6. Replace control valve.
7. Low Battery.	7. Replace battery.

SYMPTOM

- **When ignitor button is pressed in, there is a spark at the ODS/pilot but no ignition.**

CAUSE	REMEDY
1. Control knob not fully pressed in.	1. Press in control knob fully.
2. Control knob not pressed in long enough.	2. After ODS/pilot lights, keep control knob pressed in for 30 seconds.
3. Equipment shutoff valve not fully open.	3. Fully open equipment shutoff valve.
4. Control valve damaged.	4. Replace Control valve.

SYMPTOM

- **Burner does not light after ODS/pilot is lit.**

CAUSE	REMEDY
1. Burner orifice is clogged.	1. Clean burner orifice (see Cleaning and Maintenance on page 11), or replace burner orifice.
2. Burner orifice diameter too small.	2. Replace burner orifice.
3. Inlet gas pressure is too low.	3. Contact local gas company.

SYMPTOM

- **Delayed ignition of burner.**

CAUSE	REMEDY
1. Manifold pressure is too low.	1. Contact local gas company.
2. Burner orifice is clogged.	2. Clean burner orifice (see Cleaning and Maintenance on page 11), or replace burner orifice.

SYMPTOM

- **ODS/pilot lights but flame goes out when control knob is released.**

CAUSE	REMEDY
1. Gas supply turned off or equipment shutoff valve closed.	1. Turn on gas supply or open equipment shutoff valve.
2. Control knob not fully pressed in while pressing ignition button.	2. Press in control knob fully while pressing ignition button.
3. Air in gas line when installed.	3. Continue holding down control knob. Repeat ignition operation until air is removed.
4. ODS/Pilot is clogged.	1. Clean ODS/Pilot (see "CLEANING AND MAINTENANCE" on page 11).
5. Control knob not in pilot position.	5. Turn control knob to pilot position.
6. Gas regulator setting is not correct.	6. Replace gas regulator.
7. Thermocouple connection loose at control valve.	7. Hand tighten thermocouple nut until snug, and then tighten 1/4 turn more.
8. Pilot flame not touching thermocouple, which allows thermocouple to cool, causing pilot flame to go out. This problem could be caused by one or both of the following: a. Low gas Pressure b. Dirty or Partially clogged ODS/pilot	a. Contact local gas company. b. Clean ODS/pilot (see Cleaning and Maintenance, page 11).
9. Thermocouple damaged.	9. Replace thermocouple.
10. Control Valve damaged.	10. Replace control valve.

SYMPTOM

- **Burner backfiring during operation.**

CAUSE	REMEDY
1. Burner orifice is clogged or damaged.	1. Clean burner orifice (see Cleaning and Maintenance on page 11), or replace burner orifice.
2. Burner damaged.	2. Replace burner.
3. Gas regulator defective.	3. Replace gas regulator.

SYMPTOM

- **Burner plaque(s) does not glow [Infrared Only].**

CAUSE	REMEDY
1. Plaque damaged.	1. Replace burner.
2. Control knob set between locked positions.	2. Turn control knob until it locks at desired setting.
3. Inlet gas pressure is too low.	3. Replace gas regulator.

SYMPTOM

- **Slight smoke or odor during initial operation.**

CAUSE	REMEDY
1. Residues from manufacturing process.	1. Problem will stop after a few hours of operation.

SYMPTOM

- **Heater produces a whistling noise when burner is lit.**

CAUSE

1. Turning control knob to HI position when burner is cold.
2. Air in gas line.
3. Air passageways on heater blocked.
4. Dirty or partially clogged burner orifice.

REMEDY

1. Turn control knob to LO position and let warm up for a minute.
2. Operate burner until air is removed from line have gas line checked by local gas company.
3. Observe minimum installation clearances (see Figure 4 page 6).
4. Clean burner orifice (see Cleaning and Maintenance on page 11), or replace burner orifice.

SYMPTOM

- **White powder residue forming within burner box or on adjacent walls or furniture.**

CAUSE

1. When heated, vapors from furniture polish, wax, carpet cleaners, etc., turn into white powder residue.

REMEDY

1. Turn heater off when using furniture polish, wax, carpet cleaner or similar products.

SYMPTOM

- **Heater produces unwanted odors.**

CAUSE

1. Heater burning vapors from paint, hair spray, glues, etc. See **IMPORTANT** statement on page 12.
2. Gas leak. See **WARNING** statement at top of page 12.

REMEDY

1. Ventilate room. Stop using odor-causing products while heater is running.
2. Locate and correct all leaks (see Checking Gas Connections, page 9).

SYMPTOM

- **Heater shuts off in use (ODS operates).**

CAUSE

1. Not enough fresh air is available.
2. Low line pressure.
3. ODS/pilot is partially clogged.

REMEDY

1. Open window and/or door for ventilation.
2. Contact local gas company.
3. Clean ODS/pilot (see Cleaning and Maintenance, page 11).

SYMPTOM

- **Gas odor even when control knob is in OFF position.**

CAUSE

1. Gas leak. See **WARNING** statement at top of page 12.
2. Control valve is defective.

1. Locate and correct all leaks (see Checking Gas Connections, page 9).
2. Replace control valve.

SYMPTOM

- **Gas odor during combustion.**

CAUSE

- | | |
|--|---|
| 1. Foreign matter between control valve and burner. | 1. Take apart gas tubing and remove foreign matter. |
| 2. Gas leak. See WARNING statement at top of page 12. | 2. Locate and correct all leaks (see Checking Gas Connections, page 9). |

SYMPTOM

- **Heater produces a clicking/ticking noise just after burner is lit or shut off.**

CAUSE

REMEDY

- | | |
|--|---|
| 1. Metal expanding while heating or contracting while cooling. | 1. This is common with most heaters. If noise is excessive, contact qualified service person. |
|--|---|

SYMPTOM

- **Moisture/condensation noticed on windows.**

CAUSE

REMEDY

- | | |
|---|--|
| 1. Not enough combustion/ventilation air. | 1. Refer to Fresh Air for Combustion and Ventilation on pages 3-5. |
|---|--|

NEVER LEAVE THE HEATER UNATTENDED WHILE BURNING!

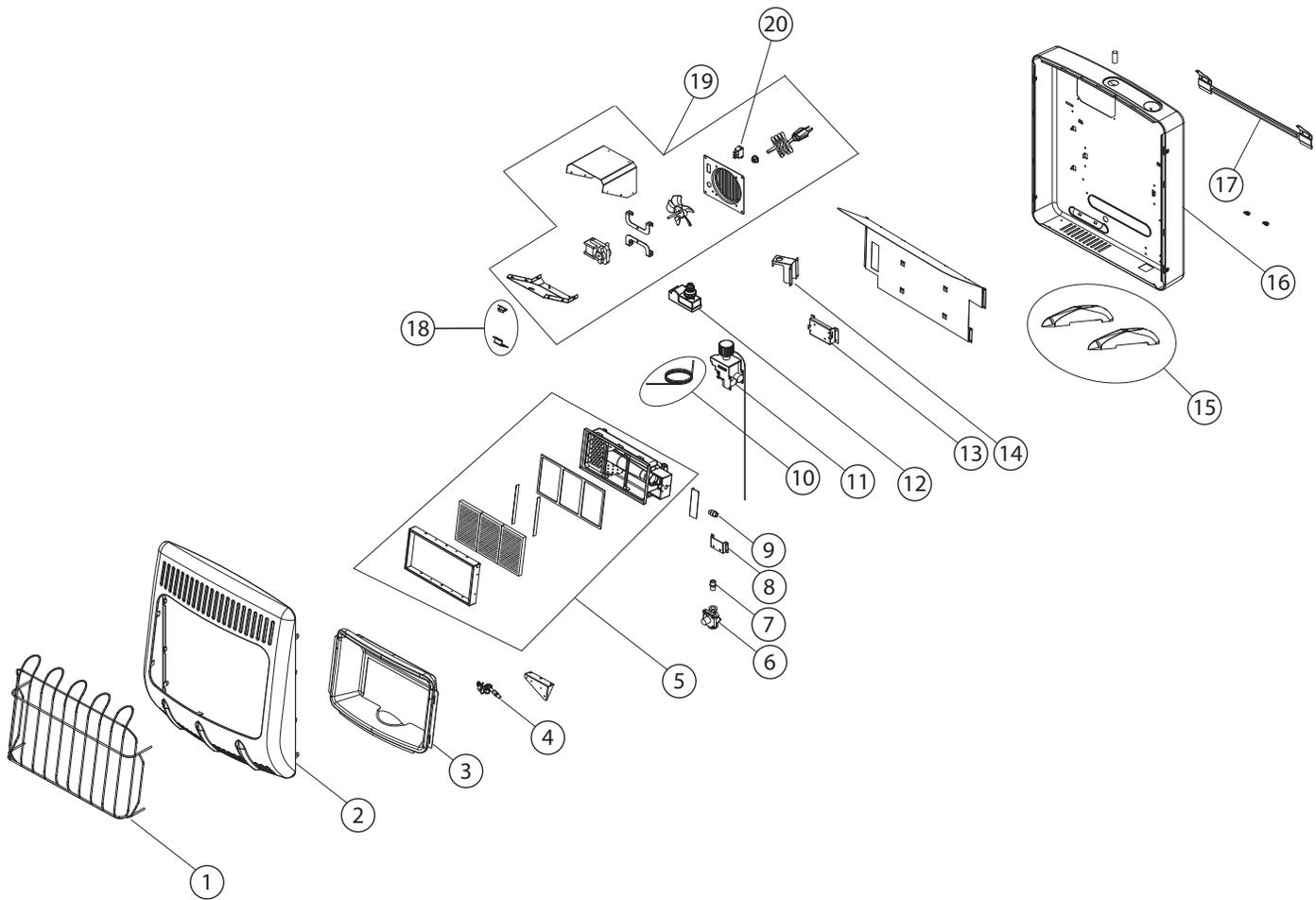
PARTS LIST

Mr. Heater • Unvented Natural Gas Fired Room Heater • Model # MHVFRD20NGBT, MHVFRD20NGT

Item	Part No.	Description	
1	80094	Wire Guard	1
2	80096	Front Panel (Beige)	1
	80205	Front Panel (White)	1
3	80086	Reflector	1
4	80057	ODS Assembly w/ Thermocouple (NG)	1
5	80108	Burner Assembly	1
6	80107	Regulator	1
7	NA	Regulator Connection	1
8	80055	Regulator Mounting Bracket	1
9	80009-06	Orifice	1
10	80014	Igniter Wire	1
11	80081	Thermostat Valve	1

Item	Part No.	Description	
12	80176	Igniter Module	1
13	80010	Thermostat Valve Mounting Bracket	1
14	80184	Igniter Module Mounting Bracket	1
15	80058	Floor Mounting Feet (Beige)	1
	80214	Floor Mounting Feet (White)	1
16	80097	Back Panel (Beige)	1
	80179	Back Panel (White)	1
17	80037	Wall Mounting Bracket	1
18	80013	High Limit Switch (Fan)	1
19	F299201	Fan Assembly (MHVFRD20NGBT ONLY)	1
20	80049	Fan Switch (MHVFRD20NGBT ONLY)	1
	70342	Hardware Kit (not shown)	1

⚠ WARNING: Failure to position the parts in accordance with these diagrams or failure to use only parts specifically approved with this heater may result in property damage or personal injury.



NEVER LEAVE THE HEATER UNATTENDED WHILE BURNING!

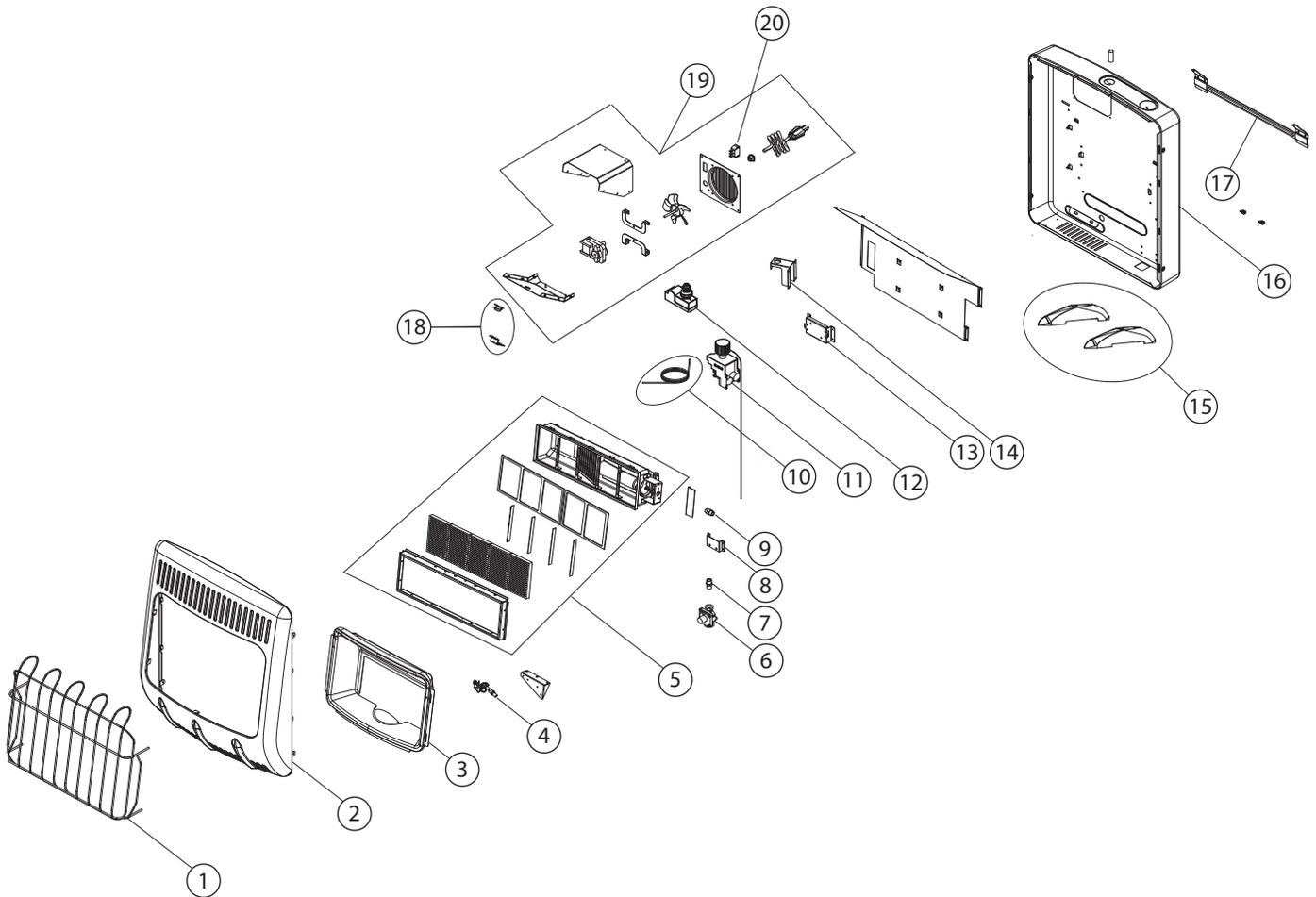
PARTS LIST

Mr. Heater • Unvented Natural Gas Fired Room Heater • Model # MHVFRD30NGBT, MHVFRD30NGT

Item	Part No.	Description	
1	80041	Wire Guard	1
2	80065	Front Panel (Beige)	1
	80208	Front Panel (White)	1
3	80023	Reflector	1
4	80057	ODS Assembly w/ Thermocouple (NG)	1
5	80109	Burner Assembly	1
6	80083	Regulator	1
7	NA	Regulator Connection	1
8	80055	Regulator Mounting Bracket	1
9	80009-08	Orifice	1
10	80014	Igniter Wire	1
11	80081	Thermostat Valve	1

Item	Part No.	Description	
12	80176	Igniter Module	1
13	80010	Thermostat Valve Mounting Bracket	1
14	80184	Igniter Module Mounting Bracket	1
15	80058	Floor Mounting Feet (Beige)	1
	80214	Floor Mounting Feet (White)	1
16	80066	Back Panel (Beige)	1
	80182	Back Panel (White)	1
17	80037	Wall Mounting Bracket	1
18	80013	High Limit Switch (Fan)	1
19	F299201	Fan Assembly (MHVFRD20NGBT ONLY)	1
20	80049	Fan Switch (MHVFRD20NGBT ONLY)	1
	70342	Hardware Kit (not shown)	1

WARNING: Failure to position the parts in accordance with these diagrams or failure to use only parts specifically approved with this heater may result in property damage or personal injury.



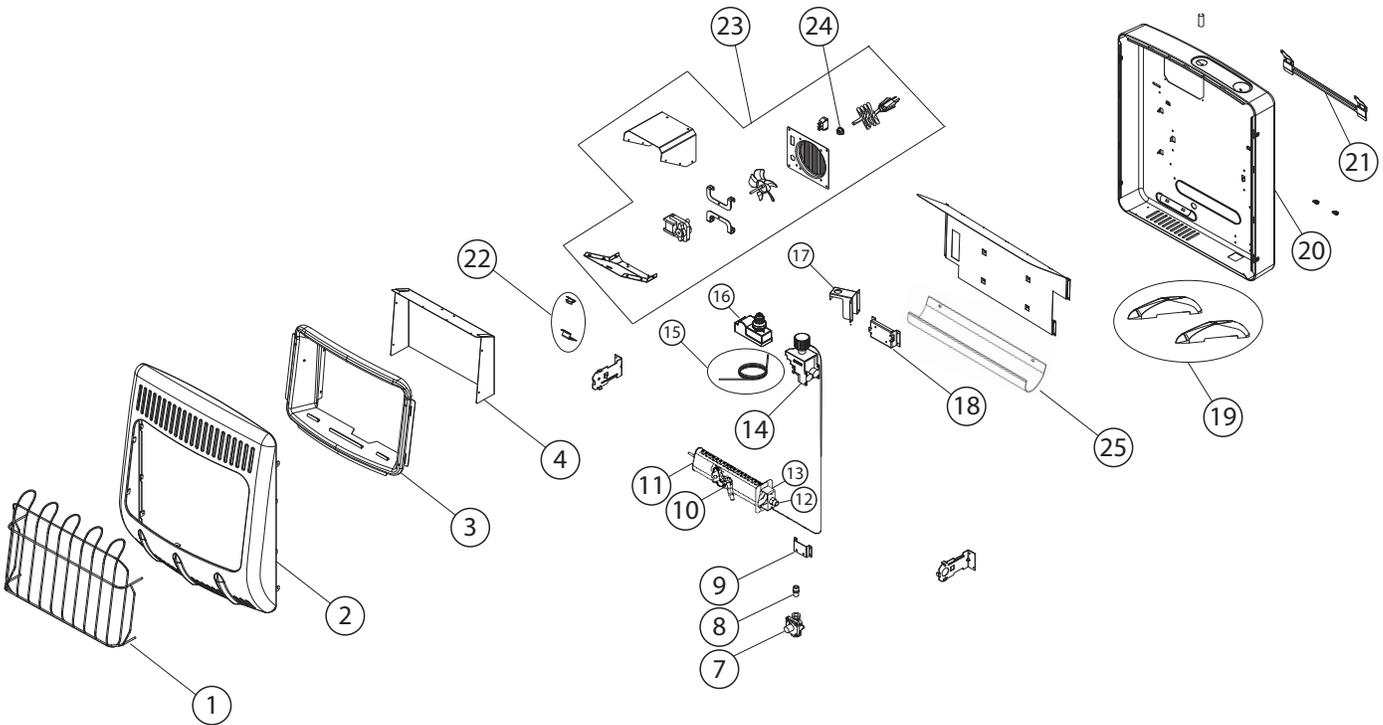
NEVER LEAVE THE HEATER UNATTENDED WHILE BURNING!

PARTS LIST

Mr. Heater • Unvented Natural Gas Fired Room Heater • Model # MHVFBF20NGBT, MHVFBF20NGT

Item	Part No.	Description		Item	Part No.	Description	
1	80094	Wire Guard	1	16	80176	Igniter Module	1
2	80096	Front Panel (Beige)	1	17	80184	Igniter Module Mounting Bracket	1
	80205	Front Panel (White)	1	18	80010	Thermostat Valve Mounting Bracket	1
3	80087	Reflector	1	19	80058	Floor Mounting Feet (Beige)	1
4	80088	Front Heat Shield	1		80214	Floor Mounting Feet (White)	1
7	80107	Regulator	1	20	80097	Back Panel (Beige)	1
8	NA	Regulator Connection	1		80179	Back Panel (White)	1
9	80055	Regulator Mounting Bracket	1	21	80037	Wall Mounting Bracket	1
10	80057	ODS Assembly w/ Thermocouple (NG)	1	22	80013	High Limit Switch (FAN)	1
11	80085	Burner Assembly	1	23	F299201	Fan Assembly (MHVFBF20NGBT ONLY)	1
12	80009-07	Orifice	1	24	80049	Fan Switch (MHVFBF20NGBT ONLY)	1
13	80073	Orifice Adapter	1	25	80186	Curved Heat Shield	1
14	80081	Thermostat Valve	1		70342	Hardware Kit (not shown)	1
15	80014	Igniter Wire	1				

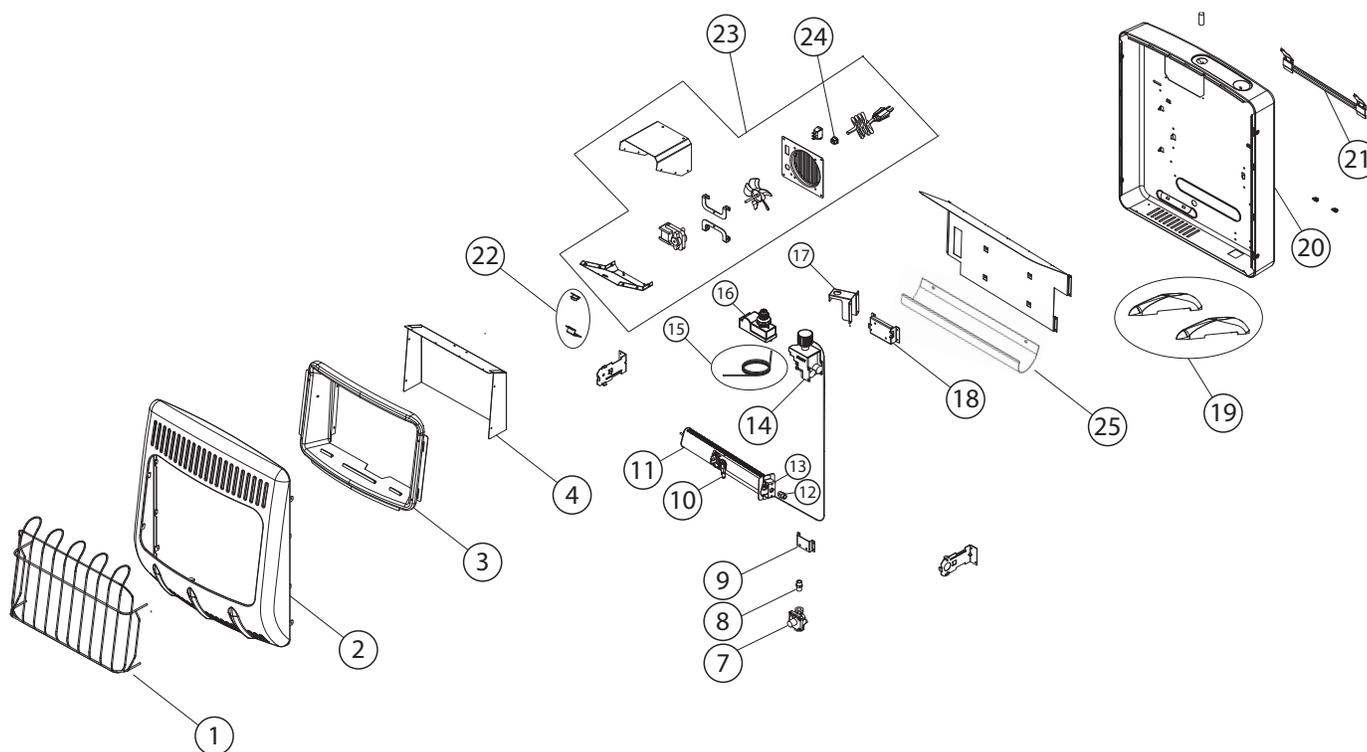
⚠ WARNING: Failure to position the parts in accordance with these diagrams or failure to use only parts specifically approved with this heater may result in property damage or personal injury.



Mr. Heater • Unvented Natural Gas Fired Room Heater • Model # MHVFBF30NGBT, MHVFBF30NGT

Item	Part No.	Description	Item	Part No.	Description
1	80041	Wire Guard	16	80176	Igniter Module
2	80065	Front Panel (Beige)	17	80184	Igniter Module Mounting Bracket
	80208	Front Panel (White)	18	80010	Thermostat Valve Mounting Bracket
3	80025	Reflector	19	80058	Floor Mounting Feet (Beige)
4	80029	Front Heat Shield		80214	Floor Mounting Feet (White)
7	80083	Regulator	20	80066	Back Panel (Beige)
8	NA	Regulator Connection		80182	Back Panel (White)
9	80055	Regulator Mounting Bracket	21	80037	Wall Mounting Bracket
10	80057	ODS Assembly w/ Thermocouple (NG)	22	80013	High Limit Switch (FAN)
11	80018	Burner Assembly	23	F299201	Fan Assembly (MHVFBF30NGBT ONLY)
12	80009-09	Orifice	24	80049	Fan Switch (MHVFBF30NGBT ONLY)
13	80073	Orifice Adapter	25	80187	Curved Heat Shield
14	80081	Thermostat Valve		70342	Hardware Kit (not shown)
15	80014	Igniter Wire			

⚠ WARNING: Failure to position the parts in accordance with these diagrams or failure to use only parts specifically approved with this heater may result in property damage or personal injury.



WARRANTY AND PARTS ORDERING

UNVENTED NATURAL GAS FIRED ROOM HEATER



Model # MHVFRD20NGBT MHVFBF20NGBT
MHVFRD20NGT MHVFBF20NGT
MHVFRD30NGBT MHVFBF30NGBT
MHVFRD30NGT MHVFBF30NGT

⚠️ WARNING:

USE ONLY MANUFACTURER'S REPLACEMENT PARTS. USE OF ANY OTHER PARTS COULD CAUSE INJURY OR DEATH. REPLACEMENT PARTS ARE ONLY AVAILABLE DIRECT FROM THE FACTORY AND MUST BE INSTALLED BY A QUALIFIED SERVICE AGENCY.

PARTS ORDERING INFORMATION

PURCHASING: Accessories may be purchased at any Mr. Heater local dealer or direct from the factory

FOR INFORMATION REGARDING SERVICE

Please call Toll-Free 800-251-0001

Or visit www.mrheater.com

Our office hours are 8:00 AM – 5:00 PM, EST, Monday through Friday.

Please include the model number, date of purchase, and description of problem in all communication.

LIMITED WARRANTY

Mr. Heater, Inc. warrants its heaters and accessories to be free from defects in material and workmanship for a period of 1 year from date of purchase. Mr. Heater, Inc. will repair or replace this product free of charge if it has been proven to be defective within the 1-year period, and is returned at customer expense with proof of purchase to Mr. Heater, Inc. within the warranty period.

This warranty gives you specific legal rights, and you may also have other rights which vary from state to state.

Mr. Heater, Inc. reserves the right to make changes at any time, without notice or obligation, in colors, specifications, accessories, materials and models.

PRODUCT REGISTRATION: Thank you for your purchase.
Please log in to <http://www.egiregistration.com> to register your product.



ENERCO GROUP, INC., 4560 W. 160TH ST., CLEVELAND, OHIO 44135 • 800-251-0001
Mr. Heater and Portable Buddy are registered trademarks of Enerco Group, Inc.
© 2021, Enerco/Mr. Heater. All rights reserved