

Installer: Leave this manual with the appliance. Consumer: Retain this manual for future reference.



# OPERATING INSTRUCTIONS AND OWNER'S MANUAL

**READ INSTRUCTIONS CAREFULLY:** YOUR SAFETY IS IMPORTANT TO YOU AND TO OTHERS.

Read and follow all instructions. Place instructions in a safe place for future reference. Do not allow anyone who has not read these instructions to assemble, light, adjust or operate the heater.

## MODELS:

MHU100NGPALP	MHU100NGPSSP
MHU100NGPAL	MHU100NGPSS
MHU125NGPALP	MHU125NGPSSP
MHU125NGPAL	MHU125NGPSS
MHU150NGPALP	MHU150NGPSSP
MHU150NGPAL	MHU150NGPSS
MHU200NGPALP	MHU200NGPSSP
MHU200NGPAL	MHU200NGPSS
MHU250NGPALP	MHU250NGPSSP
MHU250NGPAL	MHU250NGPSS
MHU300NGPALP	MHU300NGPSSP
MHU300NGPAL	MHU300NGPSS
MHU400NGPALP	MHU400NGPSSP
MHU400NGPAL	MHU400NGPSS



This product is approved for sale and installation in the states of California and Massachusetts.

## UNIT HEATER FOR INDUSTRIAL/COMMERCIAL USE

### **⚠ WARNING:**

#### **FIRE OR EXPLOSION HAZARD**

Failure to follow safety warnings exactly could result in serious injury, death or property damage.

Be sure to read and understand the installation, operation and service instructions in this manual.

Improper installation, adjustment, alteration, service or maintenance can cause injury or property damages.

Do not store or use gasoline or other flammable vapors and liquids in the vicinity of this or any other appliance.

-WHAT TO DO IF YOU SMELL GAS:

- o DO NOT try to light any appliance.
- o DO NOT touch any electrical switch, do not use any phone in your building.
- o Leave the building immediately.
- o Immediately call your gas supplier from a phone remote from the building. Follow the gas suppliers instructions.
- o If you cannot reach your gas supplier, call the Fire Department.

- Installation and service must be performed by a qualified installer, service agency or the gas supplier.

**WARNING:** If the information in these instructions are not followed exactly, a fire or explosion may result causing property damage, personal injury or loss of life.

### **⚠ WARNING:**

Heaters must not be installed in locations that have volatile, explosive, or flammable:

- Vapors (including gasoline, paint thinner, oil-based paint)
- Chemicals
- Materials

Do not install near flammable surfaces or materials such as cardboard or paper. Follow all listed distances to combustible walls, ceilings, floors, and materials.

### **⚠ WARNING:**

Failure to follow the clearances to combustible materials and surfaces listed in this manual could result in property damage, fire, or death.

### **⚠ WARNING:**

Do not install the heater in a corrosive atmosphere. Corrosive atmospheres will result in severe damage to the heater and unsafe operation.

**⚠ WARNING:** THIS PRODUCT CAN EXPOSE YOU TO CHEMICALS INCLUDING CARBON MONOXIDE, WHICH IS KNOWN TO THE STATE OF CALIFORNIA THAT MAY CAUSE CANCER. FOR MORE INFORMATION VISIT [WWW.P65WARNINGS.CA.GOV](http://WWW.P65WARNINGS.CA.GOV)

### **⚠ WARNING:**

Do not install unit heaters in structures that contain space for family living quarters.

Utility Heaters may be used to heat non-living spaces such as garages, that are attached to, adjacent to or part of a structure that contains space for family living.

Unit heaters are NOT to be installed in structures attached to, adjacent to, or part of family living quarters.

### **⚠ WARNING:**

Sharp metal. This heater is made of sheet metal and may have sharp edges. Use proper personal protective equipment when installing or servicing.

### **⚠ WARNING:**

Failure to provide enough air for combustion could result in death or injury from carbon monoxide.

### **⚠ WARNING:**

**Follow these instructions and the latest edition of local codes. In the absence of local codes follow the National Fuel Gas Code NFPA 54/ANSI Z223.1 in the USA or CSA-B149.1 Natural Gas and Propane Installation Code in Canada.**

## **CONTENTS**

HEATER SPECIFICATIONS.....	3
UNIT DIMENSIONS .....	3
RECEIVING INSTRUCTIONS.....	5
HEATER INSTALLATION .....	5
VENTING .....	6
GAS INSTALLATION .....	10
ELECTRICAL INSTALLATION.....	11
OPERATION PROCEDURE .....	11
PROPANE AND HIGH ALTITUDE INSTALLATION .....	14
MAINTENANCE.....	16
TROUBLESHOOTING.....	17
PARTS LIST.....	18
WARRANTY .....	22

## **LANGUAGES**

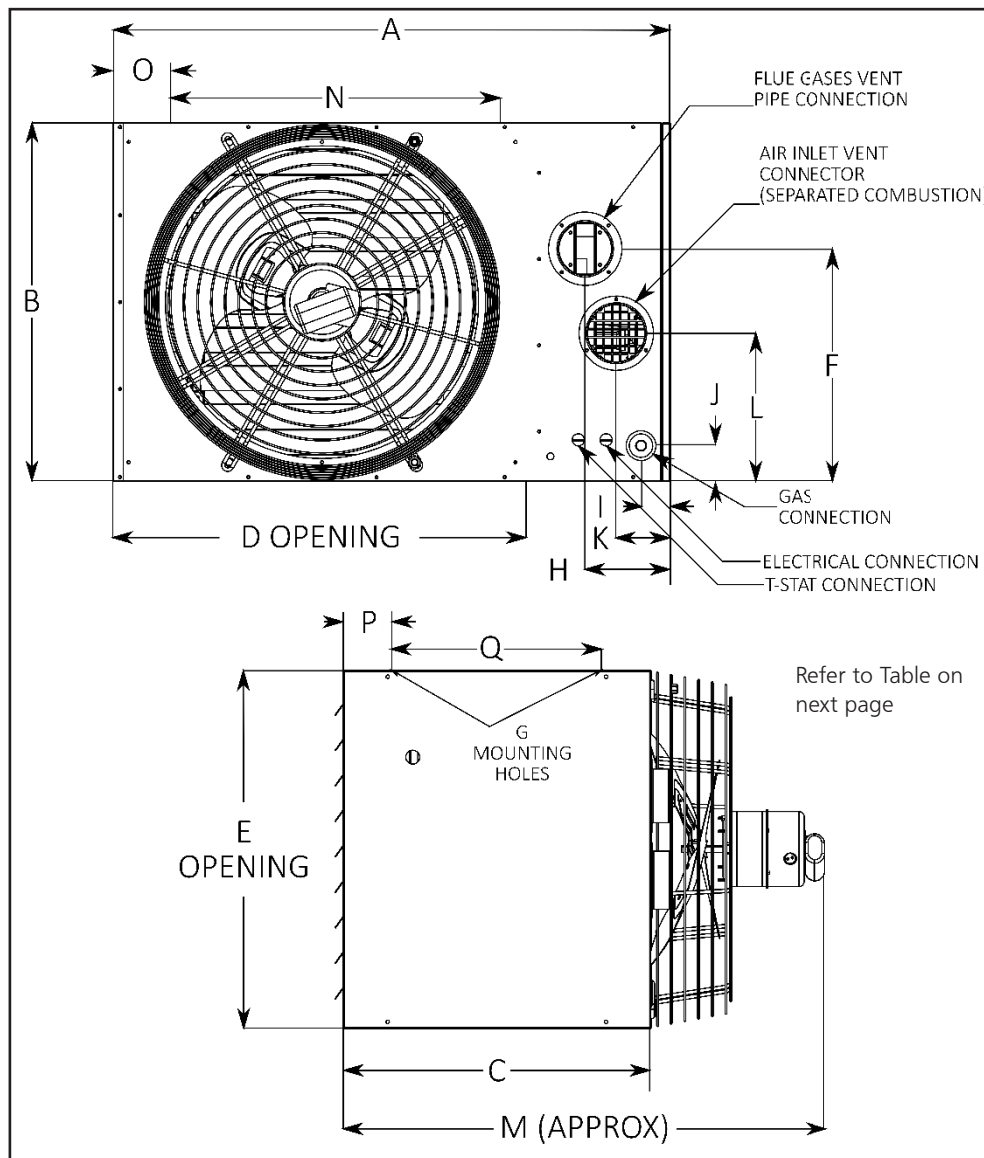
ENGLISH .....	1 - 22
SPANISH .....	23 - 44
FRENCH .....	45 - 68

## SPECIFICATIONS - TABLE 1

Model Size	100	125	150	200	250	300	400
<b>Input*</b>	100,000 BTU/Hr (29.3 kW)	125,000 BTU/Hr (36.6 kW)	150,000 BTU/Hr (44 kW)	200,000 BTU/Hr (58.6 kW)	250,000 BTU/Hr (73.3 kW)	300,000 BTU/Hr (87.9 kW)	400,000 BTU/Hr (117.2 kW)
<b>Output*</b>	82,000 BTU (24kW)	102,500 BTU (30 kW)	123,000 BTU (36 kW)	164,000 BTU (48.1 kW)	205,000 BTU (60.1 kW)	246,000 BTU (72.1 kW)	328,000 BTU (96.1 kW)
<b>Efficiency %</b>	82%	82%	82%	82%	82%	82%	82%
<b>V/A/H/Phase</b>	115 / 5 / 1	115 / 5 / 1	115 / 5 / 1	115 / 7 / 1	115 / 7 / 1	115 / 10 / 1	115 / 12 / 1
<b>Motor HP</b>	1/8	1/8	1/6	1/3	1/3	1/2	3/4
<b>Motor RPM</b>	1,440	1,440	1,050	1,140	1,140	1,130	1,125
<b>Approx. Ship Weight</b>	152 lb. (69 kg)	159 lb. (72 kg)	161 lb. (73 kg)	208 lb. (94 kg)	224 lb. (102 kg)	249 lb. (113 kg)	302 lb. (137 kg)

\* Ratings shown are for elevations up to 2,000' (610 m). For elevations about 2,000' (610 m), please refer to "INSTALLATION – HIGH ALTITUDE"

## UNIT DIMENSIONS - FIGURE 1



## HEATER DIMENSIONS IN INCHES (mm) - TABLE 2

Model Size	100	125	150	200	250	300	400
A	36.0" (914 mm)	36.0" (914 mm)	33.2" (843 mm)	40.4" (1026 mm)	40.4" (1026 mm)	40.4" (1026 mm)	40.4" (1026 mm)
B	20.7" (526 mm)	20.7" (526 mm)	23.1" (587 mm)	25.8" (655 mm)	28.5" (724 mm)	31.5" (800 mm)	39.8" (1012 mm)
C	22.4" (570 mm)	22.4" (570 mm)	22.1" (562 mm)	22.1" (562 mm)	22.1" (562 mm)	22.1" (562 mm)	22.1" (562 mm)
D	22.6" (573 mm)	22.6" (573 mm)	22.6" (573 mm)	29.4" (748 mm)	29.4" (748 mm)	29.4" (748 mm)	29.4" (748 mm)
E	18.5" (469 mm)	18.5" (469 mm)	21.2" (538 mm)	23.9" (607 mm)	26.6" (677 mm)	29.4" (747 mm)	37.7" (960 mm)
F	14.4" (366 mm)	14.2" (360 mm)	15.1" (384 mm)	16.8" (426 mm)	18.1" (459 mm)	19.7" (500 mm)	23.6" (600 mm)
G (Mounting Hole)*	Refer to Figure 1A and 1B		3/8 - 16	3/8 - 16	3/8 - 16	3/8 - 16	3/8 - 16
H	8.9" (226 mm)	8.9" (226 mm)	6.2" (158 mm)	6.3" (159 mm)	6.3" (159 mm)	6.3" (159 mm)	6.3" (159 mm)
I	4.8" (122 mm)	4.8" (122 mm)	4.8" (121 mm)	2.2" (55 mm)	2.2" (55 mm)	2.1" (53 mm)	2.3" (58 mm)
J	7.3" (187 mm)	6.2" (158 mm)	2.7" (69 mm)	2.7" (69 mm)	2.7" (69 mm)	2.7" (69 mm)	2.7" (69 mm)
K	4.0" (101 mm)	4.2" (107 mm)	4.5" (115 mm)	4.0" (103 mm)	5.3" (134 mm)	5.0" (126 mm)	4.8" (121 mm)
L	11.3" (287 mm)	10.6" (269 mm)	9.4" (239 mm)	10.8" (275 mm)	10.2" (258 mm)	13.0" (330 mm)	17.2" (436 mm)
M	32.0" (813 mm)	32.0" (813 mm)	32.7" (830 mm)	34.6" (879 mm)	34.9" (885 mm)	33.9" (882 mm)	36.6" (929 mm)
N (Mounting Holes)	N/A	N/A	16.6" (422 mm)	23.5" (598 mm)	23.5" (598 mm)	23.5" (598 mm)	23.5" (598 mm)
O (Mounting Holes)	N/A	N/A	6.2" (159 mm)	6.2" (159 mm)	6.2" (159 mm)	6.2" (159 mm)	6.2" (159 mm)
P	3.7" (95 mm)	3.7" (95 mm)	3.7" (95 mm)	3.5" (89 mm)	3.5" (89 mm)	3.5" (89 mm)	3.5" (89 mm)
Q	15" (380 mm)	15" (380 mm)	14.9" (380 mm)	14.9" (380 mm)	14.9" (380 mm)	14.9" (380 mm)	14.9" (380 mm)
Gas Connection	1/2"	1/2"	1/2"	1/2"	3/4"	3/4"	3/4"
Vent Connector Size	4" (102 mm)	4" (102 mm)	4" (102 mm)	4" (102 mm)	6" (152 mm)	6" (152 mm)	6" (152 mm)
Fan Diameter	18" (457 mm)	18" (457 mm)	20" (508 mm)	22" (559 mm)	22" (559 mm)	22" (559 mm)	24" (610 mm)

\*Listed is the hole diameter and threads per inch to accept threaded rod.

### START-UP AND PERFORMANCE CHECK LIST

Customer: \_\_\_\_\_ Date: \_\_\_\_\_ Job Name/Number: \_\_\_\_\_  
 Unit Model No.: \_\_\_\_\_ Serial No.: \_\_\_\_\_ Gas Inlet Pressure: \_\_\_\_\_  
 Type of Gas: \_\_\_\_\_ Name Plate Input: \_\_\_\_\_ Gas Outlet/Manifold Pressure: \_\_\_\_\_

- A listed terminal is installed on the vent pipe and air inlet pipe termination?
- The vent system and air inlet system were inspected and determined to function properly?
- The heater, gas and electrical installation was inspected by the local authority have jurisdiction of the installation?
- The structure supporting the heater and means to attach the heater to the structure are appropriate and secure?
- The gas supply piping has been leak checked?
- The voltage has been verified to be in the acceptable range?
- The "Operation Procedure" in the manual was followed to put the heater into operation?
- All fans and motors move freely?
- For propane installations the conversion label was filled out and attached to the heater near the name plate?
- For installations above 2,000' (610m) the high altitude label was filled out and attached to heater near the name plate?

- All wires are tight and all gaskets intact and all plugs/caps in place?
- The air louvers are open and the access panel has been replaced?

## RECEIVING INSTRUCTIONS

1. Before signing the bill of lading:
  - a. Confirm that the information on the bill of lading matches what was received, including quantity of heaters.
  - b. Remove all packing material and inspect the heater for damage.
2. If there is damage or discrepancy on the bill of lading, the consignee should sign the bill of lading listing all damages or discrepancies.
3. Take pictures of damage with the delivery person present.
4. If there is no damage, sign the bill of lading.
5. Confirm that the model number of the heater matches the model number that you ordered.

## HEATER INSTALLATION

1. Read the entire installation and service manual before starting the installation.
2. Keep the installation and service manual and other literature for future reference.
3. The installation must comply with the latest edition of:
  - a. All local codes, including building, plumbing, electrical and wastewater codes;
  - b. In the absence of local building codes refer to:
    - In the USA- The National Fuel Gas Code, NFPA 54/ANSI Z223.1
    - In Canada- The Natural Gas and Propane Installation Code, CSA B149.1
  - c. National codes, such as OSHA in the USA.
  - d. In this manual the above applicable codes are referred to as "local/national codes"
4. Installation and service must be performed by a qualified installation and service agency as defined in NFPA 54, or in Canada by a licensed gas fitter.
5. Do not attach to duct work or air filters. Do not place downstream from cooling/refrigeration units, air washers or evaporative coolers.
6. This unit is certified with the controls furnished. For replacement parts, please order according to the replacement parts list. The manufacturer reserves the right to substitute other authorized controls as replacements.
7. Do not adjust or alter the fan blade or motor operating speed.
8. The heater must be installed to maintain normal room temperatures. Operating temperatures below 50°F (10°C) can cause condensation to form in the heat exchanger system which could result in premature failure of the heater and cause unsafe operation. It is recommended that thermostats with a minimum operating temperature of 50°F (10°C) be installed.
9. The burners cannot be operated in temperatures above 90°F (32°C). Operating the burners above 90°F (32°C) can cause failure of the heater and electrical components and result in unsafe operation. To use the blower for air circulation only, your thermostat must have a "fan only" or fan selection setting. If your

thermostat has this option, an additional wire should be run to the "G" terminal on the thermostat connection block. Refer to wiring schematic on page 12.

10. Do not install the heater outdoors. Avoid water spray and dripping of water onto the heater.
11. High humidity and high salt areas can damage the heater and reduce the life of the heater resulting in unsafe operation.
12. Verify that the heater can be safely vented to the outdoors according to these instructions and local/national codes.
13. Do not install units in locations where the flue products can be drawn into adjacent building openings such as windows, fresh air intakes and doors.
14. Maintain the minimum clearances/distance to combustible materials and recommended service clearances shown in Figure 2 and Table 3.
15. All appliances and machines generate noise. This heater generates noise and vibration from the fan, motors and combustion processes. This noise could be considered a nuisance near quiet zones such as offices.
16. Utility heaters must be installed at least 18" (46 cm) above the floor in garages.
17. The heater should be installed so that air can move freely to all air openings on the heater. This includes combustion air and air for the fan.

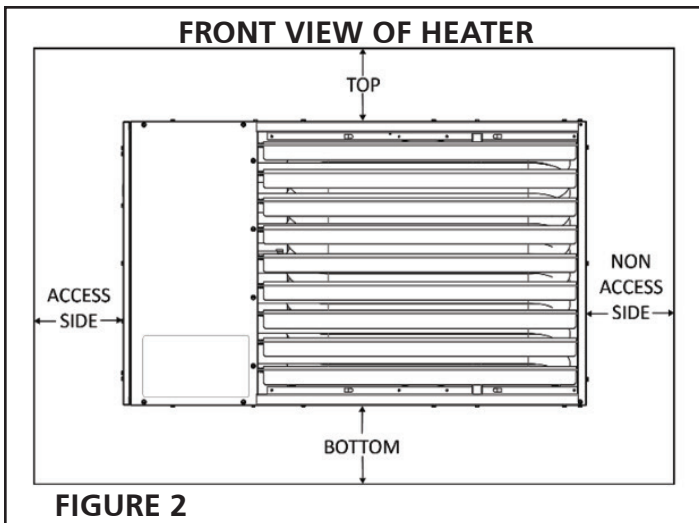
**TABLE 3**  
**Distance to Combustible Surfaces, Materials and Access**

Unit Side	100-125	150-400	Service Clearance (Suggested)
Top and Bottom	1 in. 2.54 cm	6 in. 15.24 cm	18 in. 45.72 cm
Access Side	1 in. 2.54 cm	6 in. 15.24 cm	18 in. 45.72 cm
Non-Access Side	1 in. 2.54 cm	1 in. 2.54 cm	18 in. 45.72 cm
Rear	18 in. 45.72 cm	18 in. 45.72 cm	18 in. 45.72 cm

**TABLE 4**  
**Maximum Installation Heights (Between bottom of unit and floor)**

Model Size	Maximum Install Height
100	12'
125	14'
150	14'
200	16'
250	18'
300	18'
400	20'

**IMPORTANT: Environmental conditions and installations vary, so these heights may need to be adjusted based on codes, environmental conditions and installation variations.**

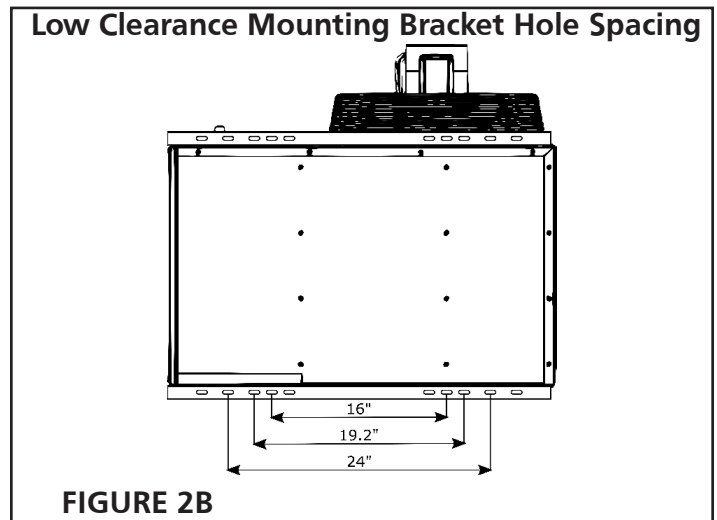
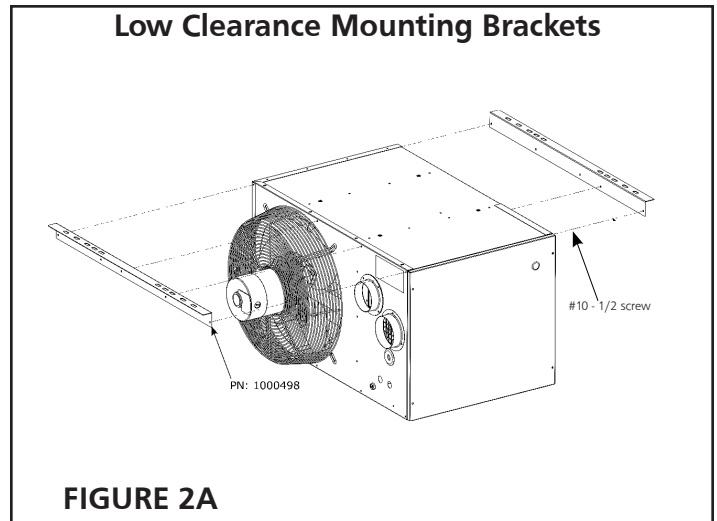


18. For installations in aircraft hangers, parking garages and repair garages refer to the following standards:
  - ANSI/NFPA 409 Standard on Aircraft Hangers
  - ANSI/NFPA 88A Standard for Parking Garages
  - ANSI/NFPA 88B Standard for Repair Garages
  - CSA B149.1 Natural Gas and Propane Installation Code
19. To prevent damage to the heater, fully support the bottom of the heater with wood, the shipping pallet or other suitable material when using machines or forklifts to lift the heater into position.
20. The heater is to be suspended from above and is not for installation on a combustibile surface (wood, drywall, plastic). On model sizes 100 to 400 there are four mounting holes on top of the heater for 3/8"-16 threaded rod. Locking nuts and washers should be used to lock the threaded rod tightly into the heater mounting holes.
21. The threaded rod should be threaded all the way through the threaded hole on the top of the unit until the rod is visible inside the heater. Usually a minimum of 6 turns.
22. The structure supporting the heater must have adequate strength to hold the weight of the heater without distortion or damage. Refer to Table 1 for unit weights.
23. For proper operation, the unit must be installed in a level horizontal position.
24. If the heater is mounted too high, the hot air may not reach the work area. Mount the heater as low as possible considering local/national codes. Consider clearances for equipment (such as forklifts) and other guidelines from this manual for the minimum distance/clearance to the floor, materials or personnel.

#### Optional Low Clearance Mounting For MHU100 & MHU125

25. The optional low clearance mounting brackets, part number 60470 in Figure 2A can be used to mount the heater directly to the ceiling. ONLY USE THESE BRACKETS ON MODEL SIZES 100 AND 125.
26. Remove the #10 screws as indicated in Figure 3A. KEEP THESE SCREWS. There are 3 on the front and 4 on the back.
27. Place the low clearance mounting brackets on the heater as shown in Figure 2A.

28. Use the screws removed in the steps above to attach the low clearance mounting brackets to the heater. Do not over tighten the screws or you will strip out the holes.
29. This will provide the 1" (2.54 cm) of clearance required to the ceiling for the 100 & 125.
30. Using properly sized fasteners (nuts and bolts for steel or lag bolts for wood) secure the heater to the ceiling. 3/8" diameter fasteners are recommended for most applications.
31. Secure the heater to structural supports capable of holding the weight of the heater (Table 1) and with spacings shown in Figure 2B.



## VENTING

**WARNING:** If an existing heater is being replaced, it may be necessary to resize the venting systems. Improperly sized venting systems can result in death or injury.

**WARNING:** If the optional inlet air pipe is used, it must be located in the same plane as the vent pipe on the exterior of the building. Failure to have the vent pipe and inlet air pipe located in the same plane (roof or wall) could result in injury or death.

**⚠WARNING:**

**This heater must be vented to the outdoors.  
This heater must have proper air for combustion.  
Death or injury could result if these instructions are not followed.**

**Follow these instructions, local codes, or in the absence of local codes the latest edition of The National Fuel Gas Code, NFPA 54/ANSI Z223.1 in the USA or Natural Gas and Propane Installation Code CSA B149.1 in Canada.**

1. If the heater being installed is replacing existing equipment and using the existing vent system from that equipment, inspect the venting system for proper size and horizontal pitch by local/national codes and these instructions. Determine that there is no blockage or restriction, leakage, corrosion, and other deficiencies, which could cause an unsafe condition.
2. Refer to the "OPERATION" section of this manual to verify existing vent systems are adequate for the new heater. If the vent system is not sized correctly carbon monoxide can leak into the building and condensation can form that will cause damage to the vent system.
3. This heater can be installed with two different vent systems (refer to the model number on the heater).
  - a. Power Vent: Exhaust outlet vent pipe (vent pipe) and using room air for combustion.
  - b. Separated Combustion: Vent pipe and using the air inlet pipe (inlet pipe) for combustion air from outside which is recommended. Using outside air for combustion may improve the life expectancy of the heat exchanger.
4. The heater has a vent adapter for connecting the vent pipe and separated combustion heaters have an inlet air pipe adapter for connecting the inlet air pipe. See Figure 3 and Table 5. Use the same size inlet pipe and vent pipe as the connector unless otherwise specified by local/national codes.
5. Never use vent pipe or inlet pipe that is smaller than the adapters on the heater.
6. Never block the air openings.
7. The heater can be vented vertically as a Category I appliance or horizontally as a Category III appliance. A Category I appliance has a negative pressure in the vent pipe. A Category III appliance has a positive pressure in the vent pipe.

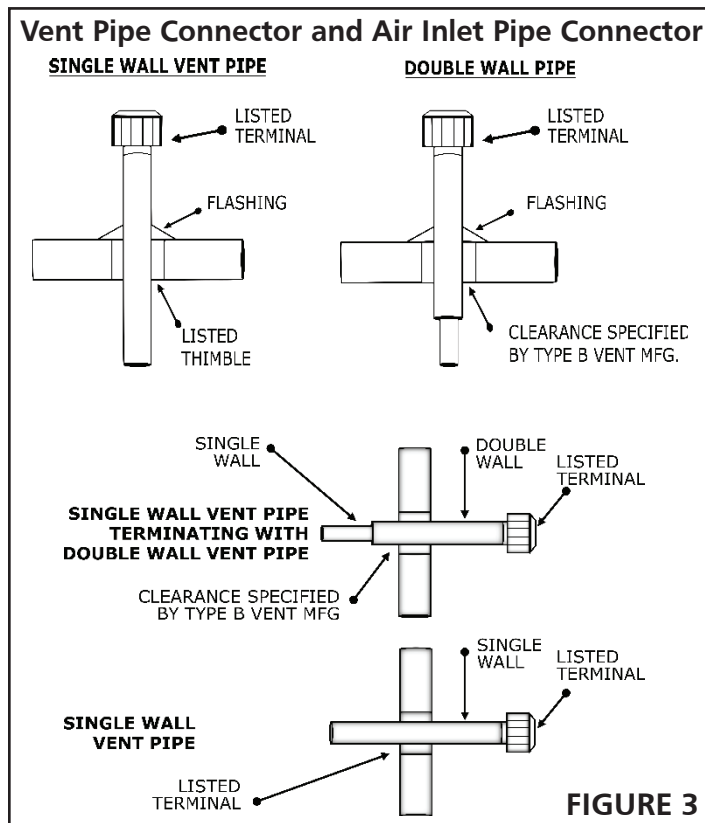
**TABLE 5**

**Vent and Air Connectors and Terminals**

Model Size	Vent/Inlet Connector	Vent/Inlet Terminals
100-200	4"	4" Listed Terminal
250-400	6"	6" Listed Terminal

8. Single wall vent pipe must be 6" (15.2 cm) or greater from combustible materials. Increase the distance from materials that can be damaged by increased temperatures.
9. Do not use PVC or plastic for any part of the vent pipe. Refer to NFPA54/ANSI Z223.1 for appropriate material.
10. Attach the vent pipe and inlet pipe to the heater using 3 corrosion resistance #8 sheet metal screws.
11. Single wall vent pipe must not pass through any unoccupied attic, inside wall, concealed space or floor.
12. When installing vent pipe through combustible walls (interior or exterior) and floors, use listed thimbles.

13. Do not use vent dampers or any other restricting devices in any portion of the vent pipe or inlet pipe.
14. All Heaters have a pressure switch. The pressure switch, along with visual inspections, can determine if the vent system and heat exchanger are blocked. Do not alter or remove the pressure switch. If the pressure switch is not operational, contact a qualified service person.
15. Do not vent into masonry chimneys.
16. Do not common vent with other appliances. The vent pipe and inlet pipe system must not be attached to other appliances.
17. The flue products that exit the vent pipe are hot and contain moisture. Protect exterior building surfaces and materials from degradation due to heat and moisture. This includes vinyl siding.
18. See Table 6 on next page for vent pipe termination distances.
19. Do not terminate vent pipe above public walkways.
20. Inlet pipe can be any suitable material that will not sag, bend, or warp and is airtight and smooth interior. The inside diameter of the inlet pipe must be equal to or greater than the outside diameter of the inlet pipe connector on the heater. Galvanized single wall pipe of suitable thickness is recommended.
21. Inlet pipe connections should be airtight. This can be done with any suitable material for the environment of the installation and the pipe used. This includes duct tape, aluminum tape and caulk.
22. If you are installing the Separated Combustion air inlet pipe, it must terminate in the same area and plane (vertical or horizontal) as the vent pipe terminates. If the vent pipe terminates vertically, the inlet pipe must be installed vertically. If the vent pipe terminates horizontally, the inlet pipe must be installed horizontally.
23. The inlet air pipe may need insulation to protect from condensation that may form when cold outside air travels through the pipe to the heater.



**FIGURE 3**

**TABLE 6**  
**Distance/Clearance for Vent Terminals**  
**(For reference only. Refer to the latest edition of local/national codes for up to date distances)**

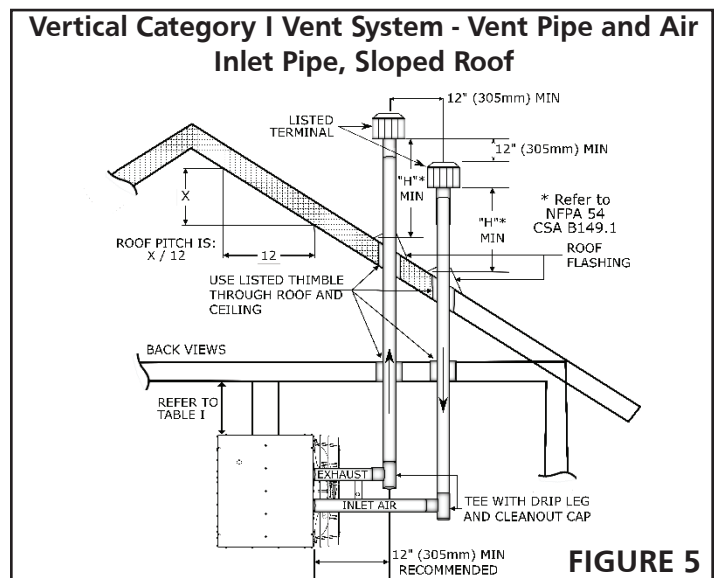
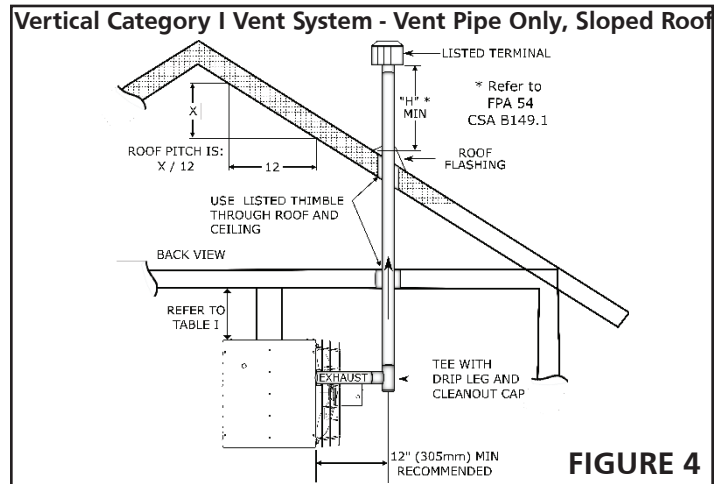
Structure	Minimum Distance/ Clearance for Vent Terminal Location
Air inlet supply	3' (0.91m) above or 10' (3m) horizontally
Door, window, gravity air inlet, or any building opening	4' (1.22m) horizontal and below 1' (0.3m) above
Electric meter, gas meter, gas regulator, and relief equipment	U.S.: 4' (1.22m) horizontal Canada: 6' (1.83m) horizontal
Adjacent public walkways	7' (2.13m) all directions
Grade (ground level)	1' (0.3m) above
Snow line	1' (0.3m) above (consider drifts)

**VERTICAL VENTING**

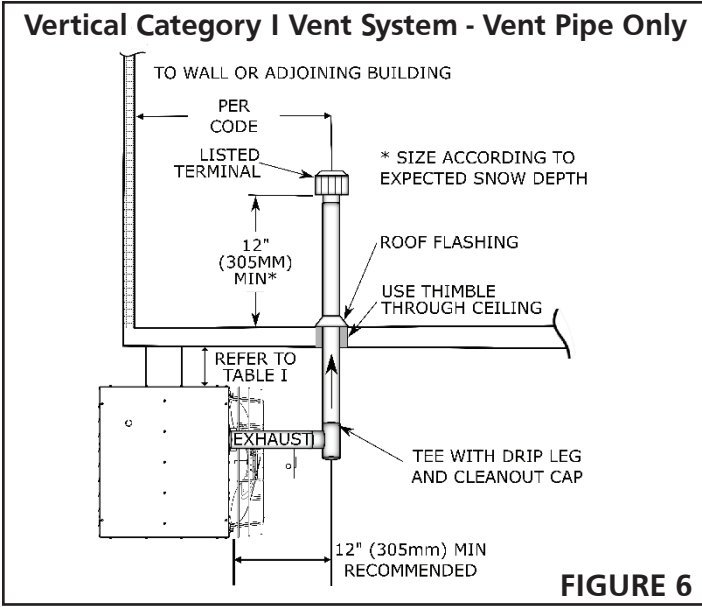
**⚠WARNING: For Category I venting (vertical), if the horizontal length of the vent pipe exceeds the allowable horizontal length in the latest edition of local codes, or in the absence of local codes the latest edition of The National Fuel Gas Code, NFPA 54/ANSI Z223.1 in the USA or Natural Gas and Propane Installation Code CSA B149.1 in Canada, then the heater is to be installed as a Category III horizontal vented appliance as described in the "Horizontal Venting" section of this manual.**

- Category I vertical vent pipe, refer to local/national codes for:
  - Vent pipe size, material, and thickness
    - Single wall vent pipe requirements
    - Double wall vent pipe requirements
  - Maximum allowable horizontal length of vent pipe in the system
  - Distances to roof lines for varying roof pitches.
  - Distances to other buildings, structures, or walls.
- Vent connectors serving Category I appliances shall not be connected into any portion of mechanical draft systems operating under positive pressure.
- Refer to Figures 4, 5, 6 and 7 for vertical venting recommendations.
- The vent pipe must have a listed vent terminal/cap securely fastened to it. The size of the required terminal is listed in Table 5.
- The inlet air pipe used on separated combustion models must have a listed vent terminal/cap. The size of the required terminal is listed in Table 5.
- The vent pipe must be a minimum of 5 vertical feet in height. This means there should be a minimum of a 5' vertical piece of vent pipe between the appliance and the listed vent cap. Refer to local and national codes for the maximum horizontal run of a vertical vent system.
- The vent cap must be at least 12" above the maximum snow load. Consider snow drifts that may occur.

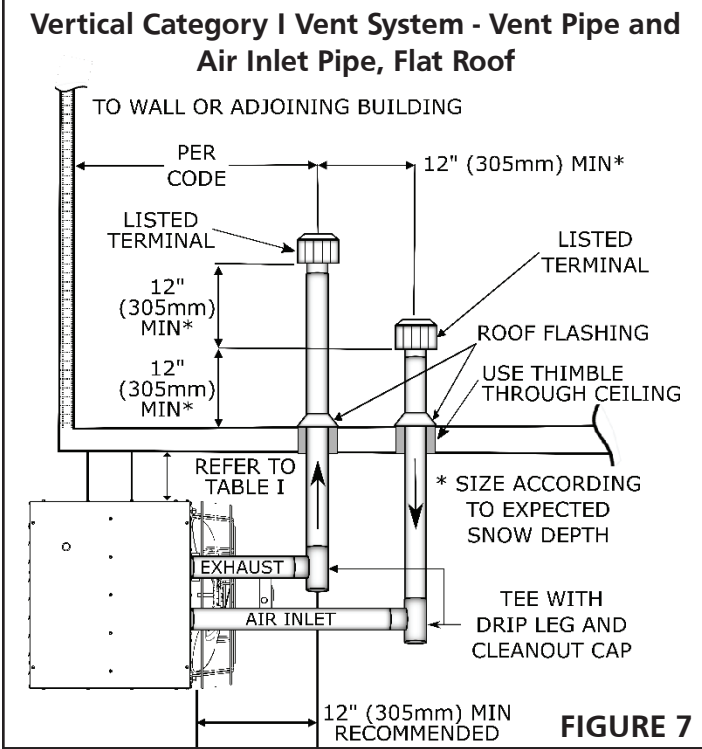
- The heat from the flue products in the heater can cause damage to sloped and flat roof materials. Verify the temperature rating of the roof material and confirm that the hot flue products from the vent pipe will not cause damage to the roof material.
- When installing a two-pipe system vertically (Separated Combustion with vent pipe and inlet pipe), the two pipes must both terminate vertically and both pipes should be within the same general area.
- Both the vent pipe and inlet pipe should have a tee and drip/ sediment leg with a clean out cap to clean out any debris that may get into the pipes.
- The separated combustion air inlet pipe seams must be airtight, so all air comes from the outdoors. The inlet pipe can be sealed with a material suitable for the environment where the inlet pipe is installed. Possible materials include duct tape, caulk, or silicone sealant.
- Condensation may form as cold air moves through the inlet pipe. Protect equipment and materials from dripping condensation. The inlet pipe may need to be wrapped in insulation to avoid condensation.
- The vent pipe must terminate at least 12" (30.5 cm) above and 12" (30.5 cm) horizontally from the air inlet pipe on Separated Combustion Heaters.
- Refer to Figures 4 - 7; Table 6 and local/national codes for distances to buildings, walls, sloped roofs, and other objects.







**FIGURE 6**



**FIGURE 7**

**HORIZONTAL VENTING**

**⚠️WARNING: Proper Vent Pipe Required!**  
 Failure to follow instructions could result in death, serious injury, and property damage.  
 Never use a pipe of a diameter other than specified!  
 Never use PVC, ABS, or any other non-metallic pipe for venting!

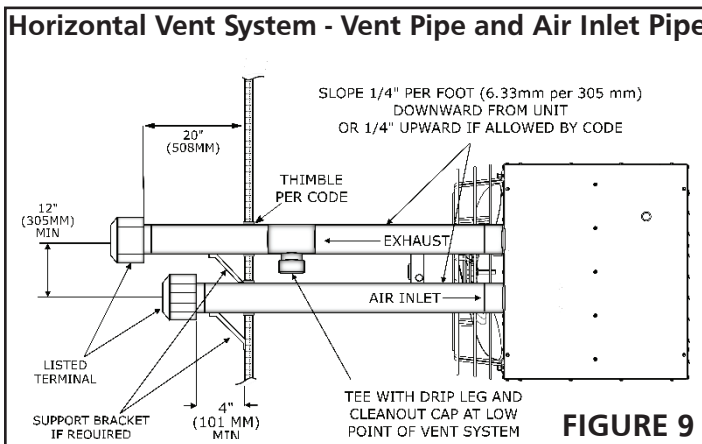
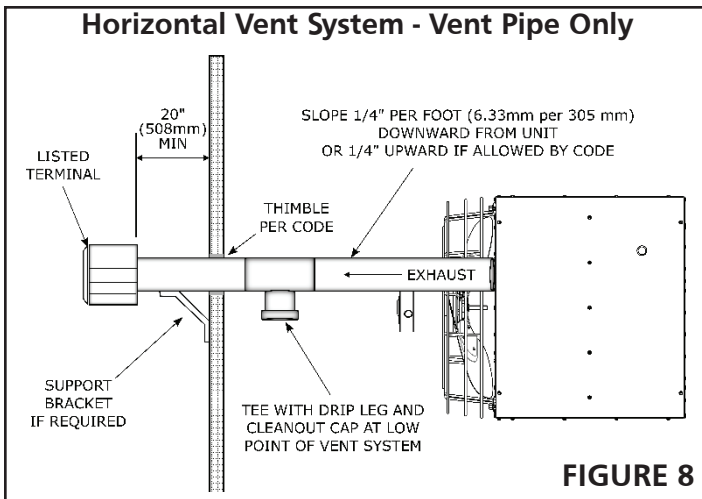
**⚠️WARNING: Hazardous Flue Gas!**  
 Failure to follow instructions could result in flue gas leaks into the space resulting in death, serious injury, or substantial property damage.  
 Do not use Type B (double wall) vent internally within the building on horizontally vented power vented units.

- Horizontal venting is Category III. Category III vent pipe has a positive pressure inside the pipe. If Category III vent pipe is not used and installed per the Category III manufacturers instructions, carbon monoxide can leak into the building.
- Commercial/industrial horizontally vented Category III heaters may be vented with an agency certified (UL 1738) Category III venting system and where allowed by code, appropriately sealed 26 gauge or heavier galvanized steel.
- Do not attach the vent pipe or inlet pipe to any other appliances or vent systems. This heater must have a dedicated vent pipe and inlet pipe.
- Do not mix different brands and types of Category III vent pipe.
- Refer to Table 7 for total minimum and maximum vent lengths.
- The equivalent length of a 90 elbow is 5' (1.5 m) for 4" (10.2 cm) diameter and 7' (2.1 m) for 6" (15.2 cm) diameter.
- Refer to Figures 8 and 9 for horizontal venting requirements.
- Horizontal sections of vent pipe are to be installed with a minimum downward slope from the appliance of 1/4 inch per foot (6.35 mm per 30.5 cm). If local code allows, a 1/4 inch per foot upward slope can be installed.
- Securely support horizontal vent and inlet air pipe every 3 feet (0.91 m) with steel strapping or other material that can withstand the temperature and rigidity required.
- Maintain 6" clearances between the vent pipe and combustible surfaces or materials. Greater distances may be necessary if surfaces or materials can be damaged by high heat.
- A tee with drip leg, cap and condensate drain should be installed at the lowest point of the vent pipe prior to exiting the structure/building.
- The vent pipe and inlet pipe (separated combustion models) must terminate with a listed vent terminal/cap with the size listed in Table 5.
- The vent pipe must extend 20" (50.8 cm) beyond the exterior surface of an exterior wall or further if there is a potential for heat damage on building materials.
- The air inlet pipe must extend 4" (30.5 cm) beyond the exterior surface of the exterior wall.
- Do not terminate the vent pipe over public walkways or over an area where condensate or vapor could create a nuisance or hazard or could be detrimental to the operation of regulators, relief openings, or other equipment.
- The vent pipe and inlet pipe (separated combustion models) must be installed 12" (30.5 cm) above the snow line. Consider snow drifts.
- The inlet air pipe must be a minimum of 12" (30.5 cm) apart from the vent pipe, and 4" (10.2 cm) from the exterior wall.

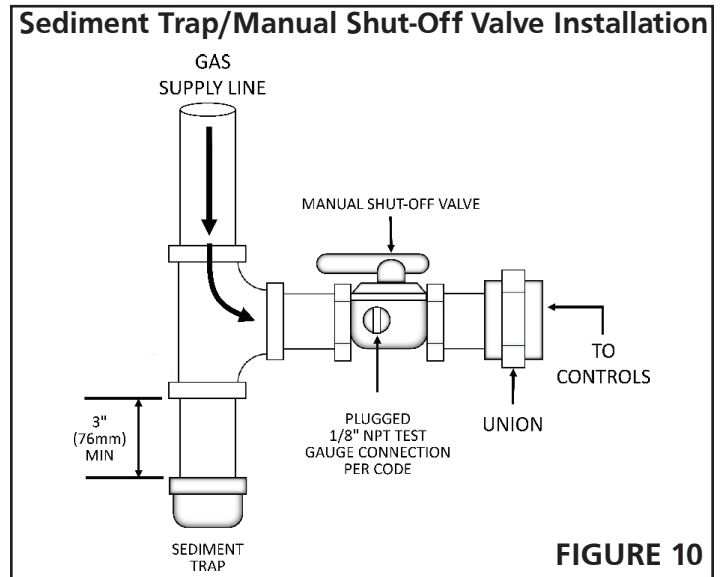
**TABLE 7**

**Vent Pipe Diameters and Total Equivalent Pipe Lengths for Horizontal Venting**

Model Size	Vent Pipe Diameter	Equivalent Vent Length	
		Minimum	Maximum
100-150	4" (10.2 cm)	5' (1.5 m)	30' (9 m)
200	4" (10.2 cm)	5' (1.5 m)	50' (15.25 m)
250-400	6" (15.2 cm)	5' (1.5 m)	50' (15.25 m)



- The minimum inlet gas pressure is:
  - Natural gas = 6.0" Water column (1.49 kPa)
  - Propane = 11.0" W.C. (2.74 kPa)
- The maximum gas pressure to the appliance is 1/2 PSI (14" W.C. or 3.48 kPa).
- Install a union and a manual shut-off valve adjacent to the unit for emergency shut-off and easy servicing of controls, including a 1/8" NPT plugged tapping accessible for test gauge connection. See Figure 10.



**TABLE 8**  
**Gas Consumption & Orifice Information\***

Model Size	Gas Type	CFH** (m3/Hr)	Gal/Hr (L/Hr)	Orifice Size	# of Orifices
100	NG	95.2 (2.7)	-	#42	4
	LP	40 (1.1)	1.09 (4.1)	#53	
125	NG	119 (3.7)	-	#42	5
	LP	50.0 (1.4)	1.36 (5.1)	#53	
150	NG	142.9 (4.0)	-	#42	6
	LP	60.0 (1.7)	1.6 (6.2)	#53	
200	NG	190.5 (5.4)	-	#38	7
	LP	80.0 (2.2)	2.2 (8.3)	#52	
250	NG	238.1 (6.7)	-	#37	8
	LP	100 (2.8)	2.7 (10.3)	1.65mm	
300	NG	285.7 (8.1)	-	#36	9
	LP	120 (3.4)	3.3 (12.4)	#51	
400	NG	381.0 (10.8)	-	#36	12
	LP	160 (4.5)	4.4 (16.5)	#51	

\* Manifold Pressure: NG=3.5" W.C. (0.87 kPa) & LP=10"W.C. (2.49 kPa).

\*\* CFH based upon NG's heating value=1050 Btu/ft<sup>3</sup> (39.1 MJ/m<sup>3</sup>) & LP's heating value=2,500 Btu/ft<sup>3</sup> (93.1 MJ/m<sup>3</sup>).

- When attaching the gas pipe to the gas valve on the heater, carefully use a 2nd wrench so the gas valve does not rotate and cause damage to the valve or heater.
- Provide a sediment trap as close to the appliance as possible. See Figure 10.

## GAS INSTALLATION

**⚠WARNING: Do not apply more than 1/2 psi (3.48 kPa) of gas pressure to the heater. Pressures in excess of 1/2 psi (3.48 kPa) will damage the heater and could result in injury or death. Never use a match or open flame to check for gas leaks. This could result in an explosion or fire, resulting in injury or death.**

- Installation of gas piping must conform with local/national codes.
- In The Commonwealth of Massachusetts this heater must be installed by a licensed plumber or gas fitter and must have a "T handle" type gas valve.
- The gas pipe must have the proper capacity to deliver the correct amount of gas at the proper pressure to the heater. The maximum capacity of gas pipe is defined by local codes or NFPA 54 or CSA B149.1. The capacity is based on:
  - The diameter of the gas pipe.
  - The length of the gas pipe.
  - Type of gas used (natural gas or propane).
  - The operating pressure of the gas.
  - The input rate, or gas flow rate of the heater.
- With the above information and the gas flow for each heater in Table 8, determine the proper size of gas pipe required.

10. Use thread joint compound that is approved for use with the gas that will be used for the heater.
11. Pressure/leak test the gas supply line prior to installing the heater per local/national code. After the heater is installed, pressure/leak test with test pressures below ½ psi (3.48 kPa) to the appliance. Damage will occur if the test pressure to the appliance is greater than ½ psi (3.48 kPa). The gas valve on the appliance must be off/closed during any pressure testing.

## ELECTRICAL INSTALLATION

**⚠WARNING: Disconnect all electric power before installing or servicing the heater. Failure to disconnect all electric power before installing or servicing could cause electric shock, injury, or death.**

1. Installation of wiring must conform with local building codes, or in the absence of local codes, with the National Electric Code ANSI/NFPA 70 – Latest Edition. Unit must be electrically grounded in conformance to this code. In Canada, wiring must comply with CSA C22.1, Part 1, Electrical Code.
2. Two copies of the unit wiring diagram are provided with each unit. One is located on the side access control compartment panel and the other is in this manual (see Figure 11). Refer to this diagram for all wiring connections.
3. Refer to Figure 1 on page 3 for the point of entry into the heater for the supply voltage wire and thermostat wire. Standard size knock-out holes are provided.
4. Thermostat wiring is for 24-volt thermostats only.
5. Thermostat connections are made on the circuit board inside the heater.
6. Some thermostats may require the “C” common terminal for added functionality such as WIFI. Refer to the thermostat manufacturer’s instructions.
7. The supply voltage and ground connections are made in the heater using the proper sized wire nut connectors to the black, white, and green/yellow wires.
8. The power supply to the heater must be provided by a fused circuit with a disconnected switch located as close to the heater as possible.
9. The power supply must be within 5 percent of the voltage rating of the heater (115V). If not, advise the utility company.

## OPERATION PROCEDURE

**⚠WARNING: Failure to confirm the proper orifice size and manifold pressure for the installation location, gas and elevation could result in death, injury, or property damage, including fire or premature failure of the heater. Never adjust the input rate, manifold pressure, or orifice size to give a higher input rate.**

**⚠WARNING: Failure to confirm the proper orifice size and manifold pressure for the installation location, gas, and elevation, will void the warranty of the electrical components and heat exchanger.**

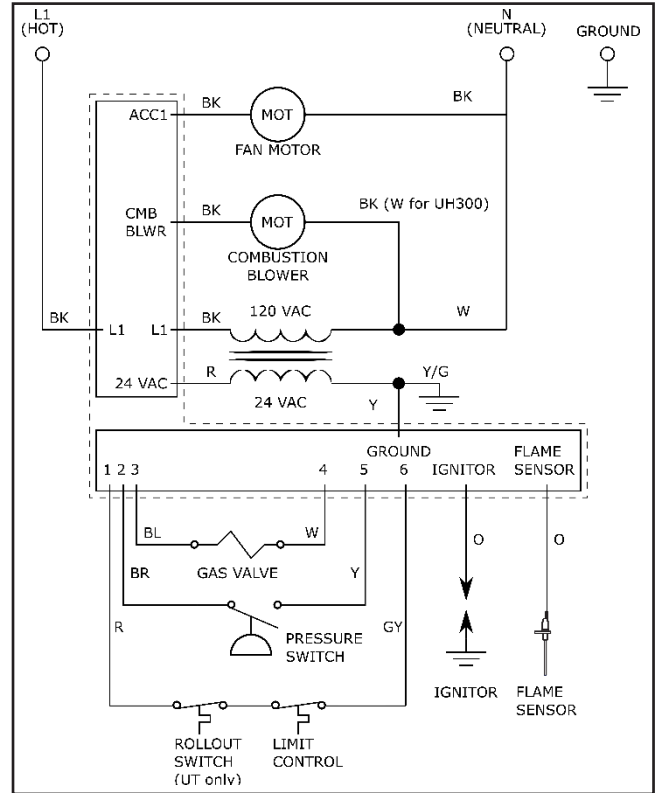
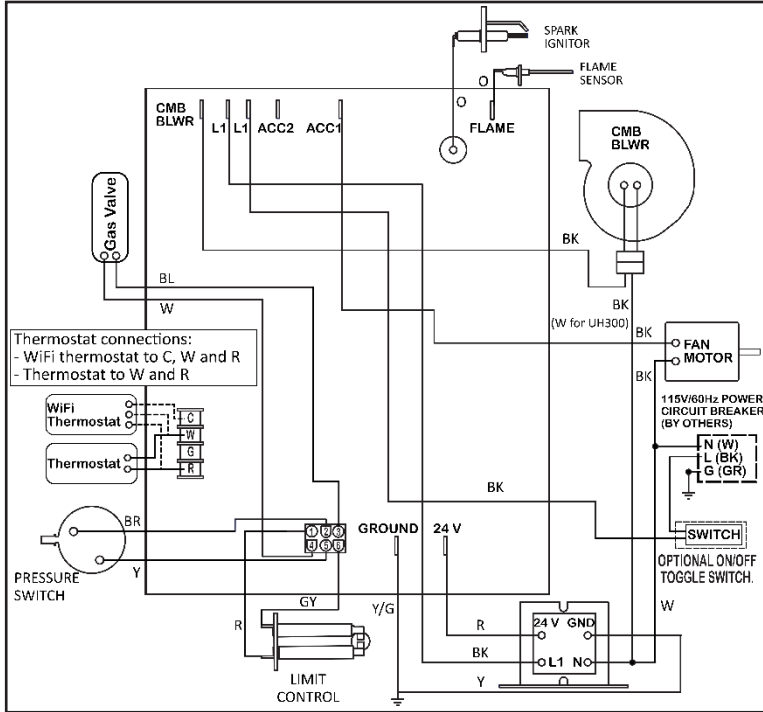
This unit has been fully assembled and has had operational tests performed at the factory. The following pre-operational procedures should be performed to verify proper on-site installation operation.

### NOTE: Do not bypass or jumper any controls.

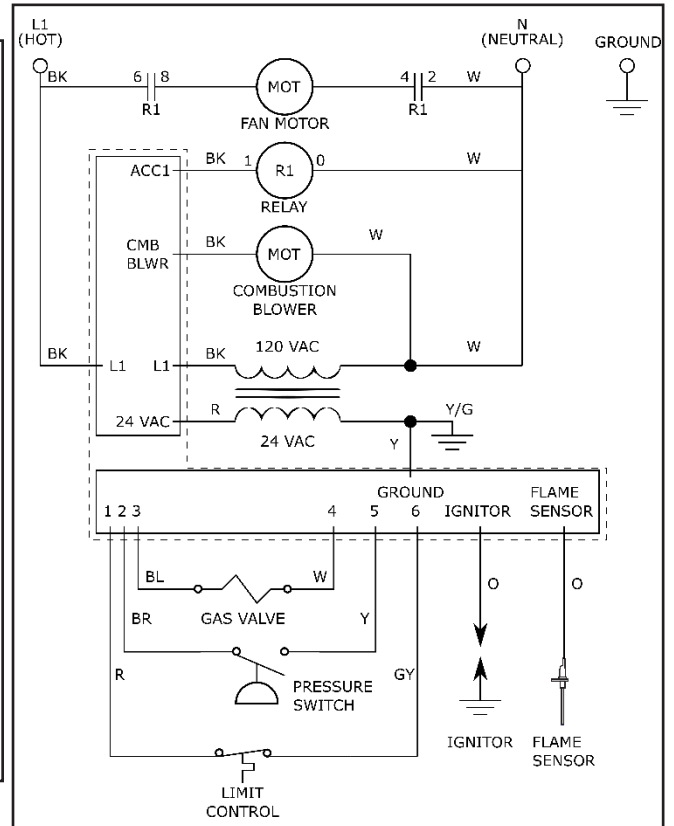
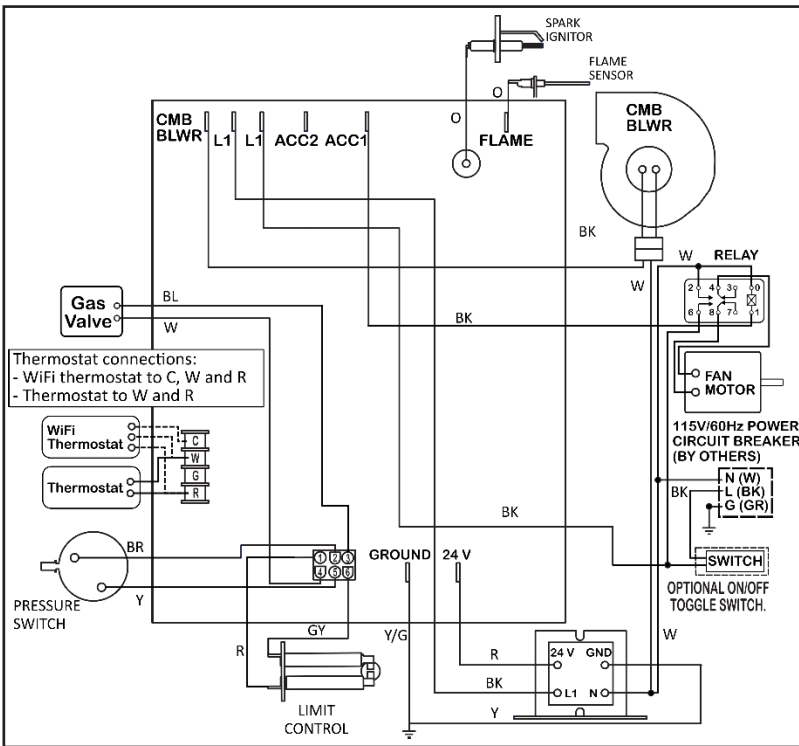
1. With the electric power turned off at the disconnect switch and the manual gas valve turned off, perform a visual inspection to verify the following:
  - a. All air openings are not obstructed or blocked.
  - b. The fan does not contact the fan guard or cabinet when spun by hand.
  - c. All screws are tight.
  - d. The size of the orifice matches the data plate, or if applicable the high altitude kit or propane conversion kit size.
  - e. The orifices are centered with the burners.
  - f. The air deflector louvers are in the desired direction and NOT fully closed.
  - g. Confirm all wires and electrical connections are installed per the wiring diagram and are securely fastened. Wires should not be near the burner flame or other hot surfaces.
2. With the manual gas and electric disconnect turned off, install an appropriate means and instruments to measure the inlet gas pressure to the heater gas valve and the gas manifold pressure (outlet pressure). Refer to Figure 12 on page 12 for the location of the pressure taps for measuring the inlet gas pressure and gas manifold pressure (outlet pressure).
3. Turn on the ELECTRICAL POWER ONLY at the disconnect switch.
4. The controls of this heater can determine if a pressure switch and temperature limit switches are operating properly. Do not jumper or bypass safety devices.
5. Make a call for heat on the thermostat and verify that the heater controls function properly without gas. The sequence should be:
  - a. Call for heat from the thermostat.
  - b. The combustion blower pre-purge is 30 seconds.
  - c. The spark ignitor will turn on for 10 seconds after the pre-purge.
  - d. Because the gas is turned off, the burners will not light and the combustion blower will continue to operate.
  - e. After 30 seconds of inter-purge, the spark ignitor will turn on for 10 seconds. This will repeat 1 more time for a total of 3 trials for ignition.
  - f. After the 3rd trial for ignition, the combustion blower will continue to operate for 5 seconds. The LED on the control should flash 2 times as shown in the “LED Diagnostic Code” table located on the heater and in Table 11.
  - g. If the above sequence does not happen, refer to “Trouble Shooting”.
6. Turn off the electrical disconnect. Turn on the manual gas valve.
7. Use an appropriate gas leak detector to verify there are no gas leaks, including in the gas pressure measuring instruments for the inlet pressure and the manifold pressure.
8. Turn on the electric power. The thermostat should still be calling for heat.
9. Any air in the gas line should have been purged from the system following local/national codes during the gas piping installation.

# Figure 11 - Electrical Connections and Ladder Diagrams

## Model Size 100 to 300



## Model Size 400 Only



\* There is a 3 Amp fuse on the control board of all heaters



- a. Seal any unused openings in the venting system.
  - b. Inspect the venting system for proper size and horizontal pitch, as required in the National Fuel Gas Code, NFPA 54/ANSI Z223.1 or CSA B149.1 Installation Code – Latest Edition and these instructions. Determine that there is no blockage or restriction, leakage, corrosion, or other deficiencies, which could cause an unsafe condition.
  - c. As practical, close all building doors and windows and all doors between the space in which the appliance(s) connected to the venting system is (are) located and other spaces of the building. Turn on clothes dryers and any exhaust fans such as range hoods and bathroom exhausts, so they shall operate at maximum speed. Do not operate a summer exhaust fan. Close fireplace dampers.
  - d. Follow the lighting instructions. Place the appliance being inspected in operation. Adjust the thermostat so that the appliance will operate continuously.
  - e. After it has been determined that each appliance connected to the venting system properly vents when tested as outlined above, return doors, windows, exhaust fans, fireplace dampers and any other gas-burning appliance to their previous conditions of use.
  - f. If improper venting is observed during any of the above tests, the venting system must be corrected.
23. After confirming the proper operation of the heater, replace the access panel.
  24. Should overheating occur, or the gas supply control system fail to shut off the flow of gas, shut off the manual gas valve to the heater before shutting off the electrical supply.
  25. Do not use this heater if any part has been under water. Immediately call a qualified service technician to inspect the heater and replace any gas control which has been under water.

## PROPANE AND HIGH ALTITUDE INSTALLATION

All models are certified by ETL at elevations of 0' – 2000' (0-610m), 2,001' – 5,400' (610.5m-1,645m), 5,401' – 7,800' (1645.5m-2,377m) and 7,801' – 10,100' (2,377.5m-3,078m). The input rating in this manual is for 0' – 2,000' (0-610m). If a unit is to be installed at an elevation above 2,000' (610m), the following instructions must be followed. Included with every heater is a high altitude label that must be filled in with permanent marker and attached to the heater next to the name plate.

### Natural Gas High Altitude Adjustments and Conversion Kits

Table 9 lists the required manifold pressure, and pressure switch setting if different than sea level (factory) and orifices for high altitude natural gas installations. Orifices do not need to be changed on any model for high altitude. Pressure switches will need to be purchased from the factory. Part numbers are listed in the "Replacement Parts" section of this manual.

### Propane Conversions and Propane High Altitude Information

Table 10 lists the required manifold pressure, pressure switch setting if different than sea level (factory) and orifices for all elevations for propane. Follow the instruction sheet included with the propane conversion kit on how to convert from natural gas to propane.

Refer to the Parts Table for "Conversion Kits" part numbers. Contact your local sales representative or Customer Service for availability.

**Refer to the "Operation" section of this manual to properly adjust the heater.**

**Table 9 – Natural Gas High Altitude Information and Conversion**

**TABLE 9.1  
High Altitude Information NG Units:  
2,001' to 5,400' (610m to 1,645m)**

Model Size	Btu/Hr Input	NG Manifold Pressure (in. w.c.)/(kPa)	Pressure Switch	Orifice Drill Size (Quantity)
100	100,000	3.5/0.87	-0.80	#42 (4)
125	125,000	3.5/0.87	-0.80	#42 (5)
150	150,000	3.5/0.87	-0.80	#42 (6)
200	200,000	3.5/0.87	N/A	#38 (7)
250	250,000	3.5/0.87	-1.10	#37 (8)
300	300,000	3.5/0.87	-1.20	#36 (9)
400	400,000	3.5/0.87	-1.45	#36 (12)

**TABLE 9.2  
High Altitude Information NG Units:  
5,401' to 7,800' (1,645.5m to 2,377m)**

Model Size	Btu/Hr Input	NG Manifold Pressure (in. w.c.)/(kPa)	Pressure Switch	Orifice Drill Size (Quantity)
100	100,000	3.5/0.87	-0.80	#42 (4)
125	125,000	3.5/0.87	-0.80	#42 (5)
150	150,000	3.5/0.87	-0.80	#42 (6)
200	200,000	3.5/0.87	-0.80	#38 (7)
250	250,000	3.5/0.87	-1.10	#37 (8)
300	300,000	3.5/0.87	-1.20	#36 (9)
400	400,000	3.5/0.87	-1.40	#36 (12)

**TABLE 9.3  
High Altitude Information NG Units:  
7,801' to 10,100' (2,377m to 3,078m)**

Model Size	Btu/Hr Input	NG Manifold Pressure (in. w.c.)/(kPa)	Pressure Switch	Orifice Drill Size (Quantity)
100	100,000	3.5/0.87	-0.75	#42 (4)
125	125,000	3.5/0.87	-0.75	#42 (5)
150	150,000	3.5 / 0.87	-0.75	#42 (6)
200	200,000	3.5/0.87	-0.75	#38 (7)
250	250,000	3.5 / 0.87	-1.10	#37 (8)
300	300,000	3.5/0.87	-1.20	#36 (9)
400	400,000	3.5/0.87	-1.35	#36 (12)

**NOTE:** Standard orifices are used for high altitude installations.

Table 10 – Propane (LP) Information and Conversions All Elevations

Table 10.1 Propane Information: 0' to 2,000' (0 to 610m)

Model Size	100	125	150	200	250	300	400
Btu/Hr Input	100,000	125,000	150,000	200,000	250,000	300,000	400,000
Orifice Drill Size	53	53	53	52	1.65mm	51	51
Orifice Qty in Kit*	6	6	6	7	8	12	12
L.P. Manifold Pressure (in. w.c.)/(kPa)	10.0/2.49	10.0/2.49	10.0/2.49	10.0/2.49	10.0/2.49	10.0/2.49	10.0/2.49
Pressure Switch	N/A	N/A	N/A	N/A	N/A	N/A	N/A

\*Kits may contain more orifices than needed for the specific model being converted. Extra orifices can be discarded.

Table 10.2 Propane Information: 2,001' to 5,400' (610.5m to 1645 m)

Model Size	100	125	150	200	250	300	400
Btu/Hr Input	100,000	125,000	150,000	200,000	250,000	300,000	400,000
Orifice Drill Size	53	53	53	52	1.65mm	51	51
Orifice Qty in Kit*	6	6	6	7	8	12	12
L.P. Manifold Pressure (in. w.c.)/(kPa)	10.0/2.49	10.0/2.49	9.2/ 2.29	8.6/ 2.14	9.3 / 2.32	9.2 / 2.29	8.2 / 2.04
Pressure Switch	-0.80	-0.80	-0.80	N/A	-1.10	-1.20	-1.45

\*Kits may contain more orifices than needed for the specific model being converted. Extra orifices can be discarded.

Table 10.3 Propane Information: 5,401' to 7,800' (1,646.5 to 2,377m)

Model Size	100	125	150	200	250	300	400
Btu/Hr Input	100,000	125,000	150,000	200,000	250,000	300,000	400,000
Orifice Drill Size	53	53	53	52	1.65mm	51	51
Orifice Qty in Kit*	6	6	6	7	8	12	12
L.P. Manifold Pressure (in. w.c.)/(kPa)	9.2/2.30	9.2/2.30	8.6/2.14	8.0 / 1.99	9.0 / 2.24	8.9 / 2.22	8.1 / 2.02
Pressure Switch	-0.80	-0.80	-0.80	-0.80	-1.10	-1.20	-1.40

\*Kits may contain more orifices than needed for the specific model being converted. Extra orifices can be discarded.

Table 10.4 Propane Information: 7,801' to 10,100' (2,387m to 3,078m)

Model Size	100	125	150	200	250	300	400
Btu/Hr Input	100,000	125,000	150,000	200,000	250,000	300,000	400,000
Orifice Drill Size	53	53	53	52	1.65mm	51	51
Orifice Qty in Kit*	4	5	6	7	8	9	12
L.P. Manifold Pressure (in. w.c.)/(kPa)	8.8/2.20	8.8/2.20	8.1 / 2.02	7.5 / 1.87	8.7 / 2.17	8.7 / 2.17	8.0/1.99
Pressure Switch	-0.75	-0.75	-0.75	-0.75	-1.10	-1.20	-1.35

\*Kits may contain more orifices than needed for the specific model being converted. Extra orifices can be discarded.

# MAINTENANCE

Annually have a qualified service agency perform the following maintenance:

**⚠WARNING: Service and maintenance must be performed by a qualified service person. Use only factory authorized replacement parts.**

1. Before any service, **TURN OFF THE GAS AT THE MANUAL SHUT-OFF VALVE AND TURN OFF ALL ELECTRIC POWER TO THE HEATER.**
2. Circulating air fan and motor:
  - a. Verify the fan blade set screw is tight with a minimum torque of 25 inch pounds and maximum of 100 inch pounds.
  - b. Clean the fan blade, fan guard and motor.
  - c. Verify the fan blades, motor shaft and motor are not damaged.
3. Burners and orifices:
  - a. Remove the burners from the heater and clean them with an appropriate brush or cloth.
  - b. Clean the orifices and verify the holes are not blocked.
  - c. Check for damage, rust, or deterioration.
  - d. Verify the burner carry-over ports are not damaged and that they are touching each other.
4. Spark ignitor and sensor:
  - a. Carefully clean the sensor and spark ignitor.
  - b. Check for cracks in the ceramic.
  - c. Check for damage or deterioration of the metal parts.
5. Wiring:
  - a. Check wiring for loose connections.
  - b. Check for heat damage to wires.

6. Gas valve and pipe:
  - a. Leak check gas fittings with suitable leak detectors. Do not use a match or open flame. Make sure to turn the gas on for this portion of the service.
  - b. Verify the manifold gas pressure and inlet gas pressure.
7. Combustion blower:
  - a. Clean dust and dirt from the air cooling blades.
  - b. Clean dust and dirt off the motor.
  - c. Verify the high temperature silicone rubber hose is not cracked or damaged.
8. Heat exchanger and cabinet:
  - a. Inspect the heat exchanger for damage and cracks.
  - b. Inspect all hardware (screws, nuts, sight glass) on the cabinet, including hardware used for mounting.
9. Vent System:
  - a. Inspect the vent system for damage, loose fasteners, loose supports or evidence of damage to surrounding materials.
  - b. Clean the vent and air inlet terminations.
  - c. Clean the air inlet screen on the heater.
  - d. Clean the drip leg.

**TABLE 11**  
**Green LED Diagnostic Codes**

Steady ON	Control Internal Failure
Steady OFF	Internal Control Fault or No Power
Slow Flash	Control OK, No Call For Heat
Fast Flash	Control OK, Call For Heat Present
2 Flashes	In Lockout From Failed Ignitions or Flame Losses
3 Flashes	Pressure Switch Open with Inducer On or Closed with Inducer Off
4 Flashes	Limit or Rollout Switch is Open
5 Flashes	Flame Sensed While Gas Valve Off
6 Flashes	On-Board Microprocessors Disagree

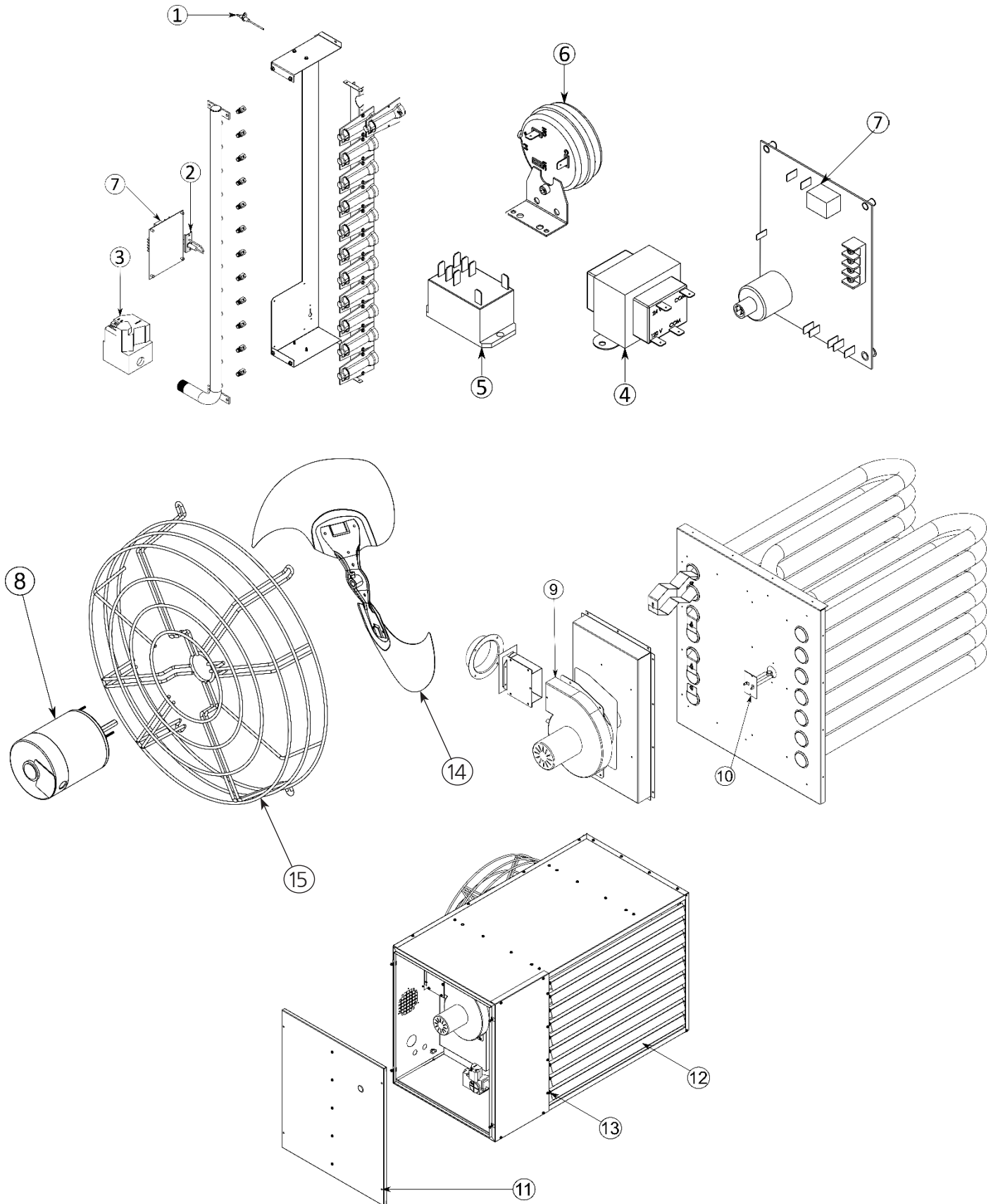


## TROUBLESHOOTING

Symptom	Possible Cause	Possible Remedy
Unit does not Start	<ol style="list-style-type: none"> <li>1. Power supply is off.</li> <li>2. No 24V power to thermostat.</li> <li>3. Thermostat malfunction.</li> <li>4. LED flashes.</li> <li>5. Blown fuse on control board.</li> <li>6. Defective control.</li> </ol>	<ol style="list-style-type: none"> <li>1. Turn on main power.</li> <li>2. Check control transformer.               <ol style="list-style-type: none"> <li>a. If failed transformer – check thermostat wire gage, length, and defects.</li> </ol> </li> <li>3. Verify wire connections to R&amp;W terminals only.               <ol style="list-style-type: none"> <li>a. Check/replace thermostat.</li> </ol> </li> <li>4. Check LED flash codes located on decal in the unit or Table 11.</li> <li>5. Replace fuse.</li> <li>6. Replace control.</li> </ol>
LED Light Off or Flashing	<ol style="list-style-type: none"> <li>1. Blown fuse on control board.</li> <li>2. Multiple causes.</li> </ol>	<ol style="list-style-type: none"> <li>1. Replace fuse.</li> <li>2. Control board LED flash codes vary with control type. A decal is installed in the unit and Table 11 gives a brief description of the applicable codes for your heater.</li> </ol>
Unit Starts but Does Not Ignite	<ol style="list-style-type: none"> <li>1. Main gas is off.</li> <li>2. Air in gas line.</li> <li>3. Main or manifold gas pressure.</li> <li>4. Check gas valve switch.</li> </ol>	<ol style="list-style-type: none"> <li>1. 1. Open manual gas valve.</li> <li>2. Purge gas line following the necessary precautions.</li> <li>3. Set gas pressures per manual instructions.</li> <li>4. Set gas valve switch to “ON” position.</li> </ol>
Unit Goes Through Cycle but the Burners Go Out in Less than 10 Seconds	<ol style="list-style-type: none"> <li>1. Reversed main power polarity.</li> <li>2. Unit not grounded.</li> <li>3. Flame not sensed.</li> </ol>	<ol style="list-style-type: none"> <li>1. Black wire – HOT, White Wire – NEUTRAL, Green Wire – GROUND.</li> <li>2. Ground unit and verify quality of ground connection.</li> <li>3. Check flame sensor probe and connection.</li> </ol>
Air Circulating Fan Inoperable	<ol style="list-style-type: none"> <li>1. Loose Connections.</li> <li>2. Defective control board.</li> <li>3. Defective fan motor.</li> </ol>	<ol style="list-style-type: none"> <li>1. Check all connections.</li> <li>2. Check control board data sheet and function.</li> <li>3. Check fan motor.</li> </ol>

## REPAIR PARTS

When ordering parts include the complete unit model number listed on the unit rating plate.



**PARTS LIST (SEE BACK PAGE FOR PARTS ORDERING INFORMATION)**

UNIT CAPACITY (MBH)			100	125	150	200	250	300	400
NO. OF TUBES PER MODEL			4	5	6	7	8	9	12
ITEM	DESCRIPTION	PN	PART NO. (QTY*)						
1	Flame Sensor	60366	✓	✓	✓	✓	✓	✓	✓
2	Spark Igniter	60375	✓	✓	✓	✓	✓	✓	✓
3	Gas Valve	60376	✓	✓	✓	✓			
	Gas Valve	60377					✓	✓	✓
4	Transformer	60387	✓	✓	✓	✓	✓	✓	✓
5	Relay	60388							✓
6	Pressure Switch	60473	✓	✓					
	Pressure Switch	60389			✓	✓			
	Pressure Switch	60390					✓		
	Pressure Switch	60472						✓	
	Pressure Switch	60391							✓
7	Ignition Module	60392	✓	✓	✓	✓	✓	✓	✓
8	Fan Motor	60394	✓	✓					
	Fan Motor	60395			✓				
	Fan Motor	60396				✓	✓		
	Fan Motor	60397						✓	
	Fan Motor	60398							✓
9	Combustion Blower	60421	✓	✓	✓	✓	✓		
	Combustion Blower	60422						✓	✓
10	Limit Switch	60427	✓	✓	✓	✓	✓	✓	✓
11	Removable Panel	60435	✓	✓					✓
	Removable Panel	60436			✓				
	Removable Panel	60437				✓			
	Removable Panel	60438					✓		
	Removable Panel	60474						✓	
	Removable Panel	60475							✓
	Upper Removable Panel	60439							✓
12	Air Deflectors	60453	(-7)	(-7)	(-8)				
	Air Deflectors	60454				(-9)	(-10)	(-11)	(-14)
13	Deflector Spring	60455	(-7)	(-7)	(-8)	(-9)	(-10)	(-11)	(-14)
14	Fan Blade	60410			✓				
	Fan Blade	60411				✓			
	Fan Blade	60412					✓		
	Fan Blade	60413						✓	
	Fan Blade	60414							✓
15	Fan Guard	60406			✓				
	Fan Guard	60407				✓	✓	✓	
	Fan Guard	60408							✓

UNIT CAPACITY (MBH)			100	125	150	200	250	300	400
NO. OF TUBES PER MODEL			4	5	6	7	8	9	12
ITEM	DESCRIPTION	PN	PART NO. (QTY*)						
NS	Rollout Limit Switch	60463	✓	✓					
NS	6 Pin Harness	60464	✓	✓	✓	✓			
	6 Pin Harness	60465					✓	✓	✓
NS	Pressure Switch (HA), -0.75	60466	✓	✓	✓	✓			
	Pressure Switch (HA), -0.80	60482	✓	✓	✓	✓			
	Pressure Switch (HA), -1.10	60467					✓		
	Pressure Switch (HA), -1.20	60390						✓	
	Pressure Switch (HA), -1.35	60472							✓
	Pressure Switch (HA), -1.40	60469							✓
	Pressure Switch (HA), -1.45	60468							✓
NS	Low Clearance Mounting Bracket	60470	(-2)	(-2)					
NS	Fuse, 3A - Ignition Module	60478	✓	✓	✓	✓	✓	✓	✓
NS	4" Air Intake Ring	60480	✓	✓	✓	✓			
NS	6" Air Intake Ring	60490					✓	✓	✓

HA - High Altitude Kit, refer to "Propane and High Altitude Installation" section of manual  
NS - Not Shown  
(\*) - Number of parts needed per model

**Natural Gas to Liquid Propane Conversion Kit**

Model Size 100/125/150.....	F163070
Model Size 200.....	F163071
Model Size 250NG.....	F163072
Model Size 300/400.....	F163073

**Liquid Propane to Natural Gas Conversion Kit**

Model Size 100/125/150.....	F163074
Model Size 200.....	F163075
Model Size 250NG.....	F163076
Model Size 300/400.....	F163077

**THIS PAGE INTENTIONALLY LEFT BLANK  
ESTA PÁGINA SE DEJÓ INTENCIONALMENTE EN BLANCO  
CETTE PAGE A ÉTÉ INTENTIONNELLEMENT LAISSÉE VIERGE**



# OPERATING INSTRUCTIONS AND OWNER'S MANUAL

**READ INSTRUCTIONS CAREFULLY:** YOUR SAFETY IS IMPORTANT TO YOU AND TO OTHERS.

Read and follow all instructions. Place instructions in a safe place for future reference. Do not allow anyone who has not read these instructions to assemble, light, adjust or operate the heater.

- MHU100NGPALP MHU100NGPSSP
- MHU100NGPAL MHU100NGPSS
- MHU125NGPALP MHU125NGPSSP
- MHU125NGPAL MHU125NGPSS
- MHU150NGPALP MHU150NGPSSP
- MHU150NGPAL MHU150NGPSS
- MHU200NGPALP MHU200NGPSSP
- MHU200NGPAL MHU200NGPSS
- MHU250NGPALP MHU250NGPSSP
- MHU250NGPAL MHU250NGPSS
- MHU300NGPALP MHU300NGPSSP
- MHU300NGPAL MHU300NGPSS
- MHU400NGPALP MHU400NGPSSP
- MHU400NGPAL MHU400NGPSS



## WARNING:

USE ONLY MANUFACTURER'S REPLACEMENT PARTS. USE OF ANY OTHER PARTS COULD CAUSE INJURY OR DEATH. REPLACEMENT PARTS ARE ONLY AVAILABLE DIRECT FROM THE FACTORY AND MUST BE INSTALLED BY A QUALIFIED SERVICE AGENCY.

## PARTS ORDERING INFORMATION:

**PURCHASING:** ACCESSORIES MAY BE PURCHASED AT ANY MR. HEATER LOCAL DEALER OR DIRECT FROM THE FACTORY

## FOR INFORMATION REGARDING SERVICE:

Please call Toll-Free 800-251-0001 • WWW.MRHEATER.COM

Our office hours are 8:00 AM – 5:00 PM, EST, Monday through Friday.

Please include the model number, date of purchase, and description of problem in all communication.

## LIMITED WARRANTY:

The company warrants this product to be free from imperfections in material or workmanship, under normal and proper use in accordance with instructions of The Company, for a period of three years on parts (Limited to 1 year in high humidity or caustic environments), 10 years on the on an Aluminized Steel heat exchanger (Limited to 5 years when installed in corrosive environments), and 10 years on the Stainless Steel heat exchanger from the date of delivery to the buyer. The Company, at its option, will repair or replace products returned by the buyer to the factory, transportation prepaid within said one year period and found by the Company to have imperfections in material or workmanship.

If a part is damaged or missing, call our Technical Support Department at 800-251-0001.

Address any Warranty Claims to the Service Department, Enerco Group, Inc., 4560 W. 160TH ST., CLEVELAND, OHIO 44135. Include your name, address and telephone number and include details concerning the claim. Also, supply us with the purchase date and the name and address of the dealer from whom you purchased our product.

The foregoing is the full extent of the responsibility of the Company. There are no other warranties, express or implied. Specifically there is no warranty of fitness for a particular purpose and there is no warranty of merchantability. In no event shall the Company be liable for delay caused by imperfections, for consequential damages, or for any charges of the expense of any nature incurred without its written consent. The cost of repair or replacement shall be the exclusive remedy for any breach of warranty. There is no warranty against infringement of the like and no implied warranty arising from course of dealing or usage of trade. This warranty will not apply to any product which has been repaired or altered outside of the factory in any respect which in our judgment affects its condition or operation.

Some states do not allow the exclusion or limitation of incidental or consequential damages, so the above limitation or exclusion may not apply to you. This Warranty gives you specific legal rights, and you may have other rights which vary from state to state.

Enerco Group, Inc. reserves the right to make changes at any time, without notice or obligation, in colors, specifications, accessories, materials and models.

**PRODUCT REGISTRATION:** Thank you for your purchase.

Please log in to <http://www.egiregistration.com> to register your product.

Enerco Group, INC., 4560 W. 160TH ST., CLEVELAND, OHIO 44135 • 800-251-0001

Mr. Heater is a registered trademarks of Enerco Group, Inc.

© 2023, Mr. Heater. All rights reserved

Instalador: Deje este manual con el artefacto. Consumidor: Guarde este manual para futura referencia.



# INSTRUCCIONES DE USO Y MANUAL DEL USUARIO

**LEA CUIDADOSAMENTE LAS INSTRUCCIONES:** SU SEGURIDAD ES IMPORTANTE PARA USTED Y PARA LOS DEMÁS.

Lea y siga todas las instrucciones. Conserve estas instrucciones en un lugar seguro para futura referencia. No permita que nadie que no haya leído estas instrucciones arme, encienda, ajuste o use el calefactor.

## MODELOS:

MHU100NGPALP	MHU100NGPSSP
MHU100NGPAL	MHU100NGPSS
MHU125NGPALP	MHU125NGPSSP
MHU125NGPAL	MHU125NGPSS
MHU150NGPALP	MHU150NGPSSP
MHU150NGPAL	MHU150NGPSS
MHU200NGPALP	MHU200NGPSSP
MHU200NGPAL	MHU200NGPSS
MHU250NGPALP	MHU250NGPSSP
MHU250NGPAL	MHU250NGPSS
MHU300NGPALP	MHU300NGPSSP
MHU300NGPAL	MHU300NGPSS
MHU400NGPALP	MHU400NGPSSP
MHU400NGPAL	MHU400NGPSS



Este producto está aprobado para su venta e instalación en los estados de California y Massachusetts.

## CALEFACTOR PARA USO INDUSTRIAL Y COMERCIAL

### **⚠ ADVERTENCIA:**

#### **PELIGRO DE INCENDIO Y EXPLOSIÓN**

El no seguir exactamente las advertencias de seguridad podría causar heridas graves, la muerte o daños materiales.

Asegúrese de leer y comprender las instrucciones de instalación, operación y reparación de este manual.

La instalación, ajuste, alteración, reparación o mantenimiento inadecuados pueden causar lesiones o daños materiales.

No almacene ni utilice gasolina ni ningún otro vapor ni líquido inflamable cerca de este ni de ningún otro artefacto.

- QUÉ HACER SI DETECTA OLOR A GAS:

- o NO intente encender ningún artefacto.
- o NO toque ningún interruptor eléctrico; no use ningún teléfono en el edificio.
- o Abandone el edificio inmediatamente.
- o Llame inmediatamente a su proveedor de gas desde un teléfono lejos del edificio. Siga las instrucciones de la compañía de gas.
- o Si no se puede comunicar con la compañía de gas, llame a los bomberos.

- La instalación y la reparación deben ser realizadas por un instalador calificado, agencia de reparaciones o la compañía de gas.

**ADVERTENCIA:** Si no se siguen estas instrucciones al pie de la letra, podría producirse un incendio o una explosión que provocaría daños materiales, lesiones o muertes.

### **⚠️ ADVERTENCIA:**

Los calefactores no deben instalarse en lugares que tengan materiales volátiles, explosivos o inflamables:

- Vapores (incluyendo gasolina, diluyente de pintura, pintura a base de aceite)
- Productos químicos
- Materiales

No lo instale cerca de superficies o materiales inflamables como cartón o papel. Respete todas las distancias indicadas a paredes, techos, pisos y materiales combustibles.

### **⚠️ ADVERTENCIA:**

No respetar las distancias a materiales y superficies combustibles indicadas en este manual podría provocar daños materiales, incendios o la muerte.

### **⚠️ ADVERTENCIA:**

No instale el calefactor en una ambiente corrosivo. Las atmósferas corrosivas provocarán daños graves al calefactor y un funcionamiento inseguro.

### **⚠️ ADVERTENCIA:**

ESTE PRODUCTO PUEDE EXPONERLO A PRODUCTOS QUÍMICOS INCLUYENDO MONÓXIDO DE CARBONO, QUE DE ACUERDO CON EL ESTADO DE CALIFORNIA PODRÍA CAUSAR CÁNCER. POR MAYOR INFORMACIÓN, VISITE [WWW.P65WARNINGS.CA.GOV](http://WWW.P65WARNINGS.CA.GOV)

### **⚠️ ADVERTENCIA:**

No instale calefactores en estructuras que contengan espacio para viviendas familiares.

Los calefactores de trabajo se pueden usar para calentar espacios no habitables, como garajes, que estén adjuntos, adyacentes o formen parte de una estructura que contenga espacio para viviendas familiares.

Los calefactores NO deben instalarse en estructuras adjuntas a, adyacentes a, o que formen parte de viviendas familiares.

### **⚠️ ADVERTENCIA:**

Metal afilado. Este calefactor está hecho de láminas de metal y puede tener bordes afilados. Utilice el equipo de protección personal adecuado durante la instalación o el mantenimiento.

### **⚠️ ADVERTENCIA:**

Si no se proporciona suficiente aire para la combustión, el monóxido de carbono podría causar la muerte o lesiones.

### **⚠️ ADVERTENCIA:**

**Siga estas instrucciones y la última edición de las normas locales. En ausencia de normas locales, siga la Norma Nacional de Gas Combustible NFPA 54/ANSI Z223.1 en EE. UU. o la Norma de Instalación de Gas Natural y Propano CSA-B149.1 en Canadá.**

## **CONTENIDO**

ESPECIFICACIONES DEL CALEFACTOR .....	25
TAMAÑO DE LA UNIDAD.....	25
INSTRUCCIONES DE RECEPCIÓN .....	27
INSTALACIÓN DEL CALEFACTOR .....	27
VENTILACIÓN .....	28
INSTALACIÓN DE GAS .....	32
INSTALACIÓN ELÉCTRICA .....	33
PROCEDIMIENTO DE OPERACIÓN .....	33
INSTALACIÓN DE PROPANO Y GRAN ALTITUD .....	36
MANTENIMIENTO.....	38
RESOLUCIÓN DE PROBLEMAS.....	39
LISTA DE PARTES.....	40
GARANTÍA.....	44

## **IDIOMAS**

INGLÉS .....	1 - 22
ESPAÑOL .....	23 - 44
FRANCÉS .....	45 - 68

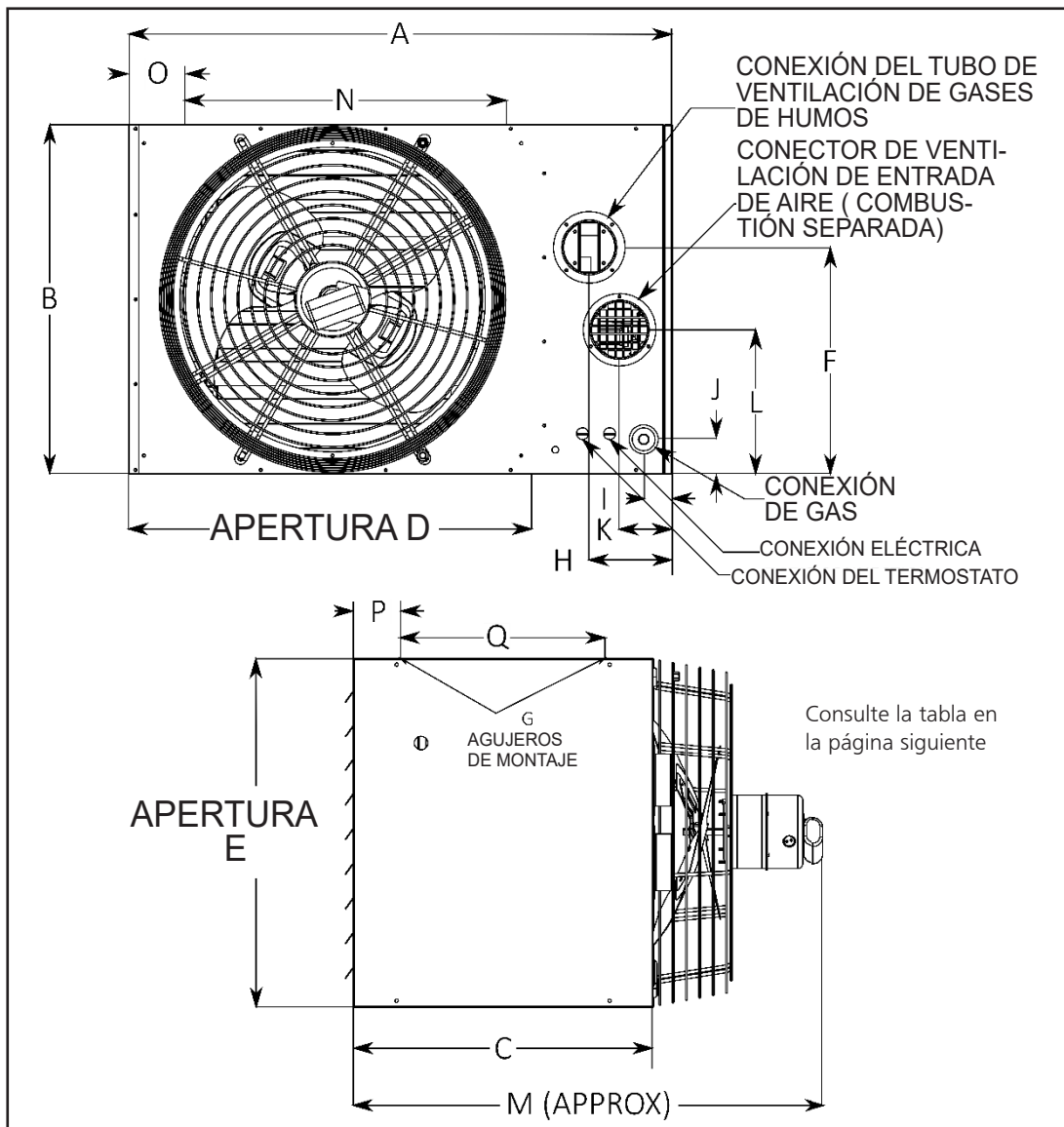


## ESPECIFICACIONES - TABLA 1

Tamaño del modelo	100	125	150	200	250	300	400
<b>Entrada*</b>	100.000 BTU/H (29,3 kW)	125.000 BTU/H (36,6 kW)	150.000 BTU/H (44 kW)	200.000 BTU/H (58,6 kW)	250.000 BTU/H (73,3 kW)	300.000 BTU/H (87,9 kW)	400.000 BTU/H (117,2 kW)
<b>Salida*</b>	82.000 BTU (24 kW)	102.500 BTU (30 kW)	123.000 BTU (36 kW)	164.000 BTU (48,1 kW)	205.000 BTU (60,1 kW)	246.000 BTU (72,1 kW)	328.000 BTU (96,1 kW)
<b>Eficiencia (%)</b>	82 %	82 %	82 %	82 %	82 %	82 %	82 %
<b>V/A/H/Fase</b>	115 / 5 / 1	115 / 5 / 1	115 / 5 / 1	115 / 7 / 1	115 / 7 / 1	115 / 10 / 1	115 / 12 / 1
<b>HP del motor</b>	1/8	1/8	1/6	1/3	1/3	1/2	3/4
<b>RPM del motor</b>	1.440	1.440	1.050	1.140	1.140	1.130	1.125
<b>Peso aprox. de envío</b>	152 lb. (69 kg)	159 lb. (72 kg)	161 lb. (73 kg)	208 lb. (94 kg)	224 lb. (102 kg)	249 lb. (113 kg)	302 lb. (137 kg)

\* Las clasificaciones que se muestran son para elevaciones de hasta 2000 pies (610 m). Para elevaciones de aproximadamente 2000 pies (610 m), consulte "INSTALACIÓN: GRAN ALTITUD"

## DIMENSIONES DE LA UNIDAD - FIGURA 1



## DIMENSIONES DEL CALEFACTOR EN PULGADAS (mm) - TABLA 2

Tamaño del modelo	100	125	150	200	250	300	400
A	36,0" (914 mm)	36,0" (914 mm)	33,2" (843 mm)	40,4" (1026 mm)	40,4" (1026 mm)	40,4" (1026 mm)	40,4" (1026 mm)
B	20,7" (526 mm)	20,7" (526 mm)	23,1" (587 mm)	25,8" (655 mm)	28,5" (724 mm)	31,5" (800 mm)	39,8" (1012 mm)
C	22,4" (570 mm)	22,4" (570 mm)	22,1" (562 mm)	22,1" (562 mm)	22,1" (562 mm)	22,1" (562 mm)	22,1" (562 mm)
D	22,6" (573 mm)	22,6" (573 mm)	22,6" (573 mm)	29,4" (748 mm)	29,4" (748 mm)	29,4" (748 mm)	29,4" (748 mm)
E	18,5" (469 mm)	18,5" (469 mm)	21,2" (538 mm)	23,9" (607 mm)	26,6" (677 mm)	29,4" (747 mm)	37,7" (960 mm)
F	14,4" (366 mm)	14,2" (360 mm)	15,1" (384 mm)	16,8" (426 mm)	18,1" (459 mm)	19,7" (500 mm)	23,6" (600 mm)
G (orificio de montaje)*	Refer to Figure 1A and 1B		3/8 - 16	3/8 - 16	3/8 - 16	3/8 - 16	3/8 - 16
H	8,9" (226 mm)	8,9" (226 mm)	6,2" (158 mm)	6,3" (159 mm)	6,3" (159 mm)	6,3" (159 mm)	6,3" (159 mm)
I	4,8" (122 mm)	4,8" (122 mm)	4,8" (121 mm)	2,2" (55 mm)	2,2" (55 mm)	2,1" (53 mm)	2,3" (58 mm)
J	7,3" (187 mm)	6,2" (158 mm)	2,7" (69 mm)	2,7" (69 mm)	2,7" (69 mm)	2,7" (69 mm)	2,7" (69 mm)
K	4,0" (101 mm)	4,2" (107 mm)	4,5" (115 mm)	4,0" (103 mm)	5,3" (134 mm)	5,0" (126 mm)	4,8" (121 mm)
L	11,3" (287 mm)	10,6" (269 mm)	9,4" (239 mm)	10,8" (275 mm)	10,2" (258 mm)	12,1" (309 mm)	15,2" (385 mm)
M	32,0" (813 mm)	32,0" (813 mm)	32,7" (830 mm)	34,6" (879 mm)	34,9" (885 mm)	35,6" (904 mm)	36,1" (917 mm)
N (Orificios de montaje)	N/A	N/A	16,6" (422 mm)	23,5" (598 mm)	23,5" (598 mm)	23,5" (598 mm)	23,5" (598 mm)
O (Orificios de montaje)	N/A	N/A	6,2" (159 mm)	6,2" (159 mm)	6,2" (159 mm)	6,2" (159 mm)	6,2" (159 mm)
P	3,7" (95 mm)	3,7" (95 mm)	3,7" (95 mm)	3,5" (89 mm)	3,5" (89 mm)	3,5" (89 mm)	3,5" (89 mm)
Q	15" (380 mm)	15" (380 mm)	14,9" (380 mm)	14,9" (380 mm)	14,9" (380 mm)	14,9" (380 mm)	14,9" (380 mm)
Conexión de gas	1/2"	1/2"	1/2"	1/2"	3/4"	3/4"	3/4"
Tamaño del conector de ventilación	4" (102 mm)	4" (102 mm)	4" (102 mm)	4" (102 mm)	6" (152 mm)	6" (152 mm)	6" (152 mm)
Diámetro del ventilador	18" (457 mm)	18" (457 mm)	20" (508 mm)	22" (559 mm)	22" (559 mm)	22" (559 mm)	24" (610 mm)

\*Se incluye el diámetro del orificio y las roscas por pulgada para aceptar varilla roscada.

### PUESTA EN MARCHA Y LISTA DE CONTROL DE RENDIMIENTO

Cliente: \_\_\_\_\_ Fecha: \_\_\_\_\_ Nombre/número de la instalación: \_\_\_\_\_  
 Modelo de la unidad: \_\_\_\_\_ No. de serie: \_\_\_\_\_ Presión en la entrada de gas: \_\_\_\_\_  
 Tipo de gas: \_\_\_\_\_ Entrada de la placa de identificación: \_\_\_\_\_ Presión de salida de gas/colector: \_\_\_\_\_

- ¿Se instaló un terminal aprobado en el tubo de ventilación y en la terminación del tubo de entrada de aire?
- ¿Se inspeccionaron el sistema de ventilación y el sistema de entrada de aire y se determinó que funcionan correctamente?
- ¿La instalación de calefacción, gas y electricidad fue inspeccionada por una autoridad local con jurisdicción sobre la instalación?
- ¿La estructura que sostiene el calefactor y los medios para sujetar el calefactor a la estructura son apropiados y seguros?
- ¿Se ha comprobado que la tubería de suministro de gas no tenga fugas?
- ¿Se ha verificado que el voltaje está dentro del rango aceptable?
- ¿Se siguió el "Procedimiento de operación" del manual para poner en funcionamiento el calefactor?
- ¿Todos los ventiladores y motores se mueven libremente?
- Para las instalaciones de propano, ¿se llenó la etiqueta de conversión y se colocó en el calefactor cerca de la placa de identificación?
- Para instalaciones por encima de los 610 m (2000 pies), ¿se completó la etiqueta de gran altitud y se colocó en el calefactor cerca de la placa de identificación?

- ¿Todos los cables están ajustados, todas las juntas intactas y todos los tapones/tapas en su lugar?
- ¿Las rejillas de ventilación están abiertas y se volvió a colocar el panel de acceso?

## INSTRUCCIONES DE RECEPCIÓN

1. Antes de firmar por la recepción del equipo:
  - a. Confirme que la información en la lista de envío coincida con lo que se recibió, incluida la cantidad de calefactores.
  - b. Remueva todo el material de embalaje e inspeccione el calefactor en busca de daños.
2. Si encuentra daños o discrepancias con la lista de envío, el consignatario debe firmar la lista de envío enumerando todos los daños o discrepancias.
3. Tome fotografías de los daños con el repartidor presente.
4. Si no hay daños, firme la lista de envío.
5. Confirme que el número de modelo del calefactor coincida con el número de modelo que ordenó.

## INSTALACIÓN DEL CALEFACTOR

1. Lea todo el manual de instalación y servicio antes de comenzar la instalación.
2. Guarde el manual de instalación y servicio y el resto de la literatura para referencia futura.
3. La instalación debe cumplir con la última edición de:
  - a. Todas las normas locales, incluidas las normas de construcción, plomería, electricidad y aguas residuales;
  - b. En ausencia de normas de construcción locales, consulte:
    - En los EE. UU.: la Norma Nacional de Gas Combustible, NFPA 54/ANSI Z223.1
    - En Canadá: la Norma de instalación de gas natural y propano CSA B149.1
  - c. Normas nacionales, como la OSHA en EE. UU.
  - d. En este manual, las normas aplicables anteriores se denominan "normas locales/nacionales".
4. La instalación y el servicio deben ser realizados por una agencia de instalación y servicio calificada, como se define en la NFPA 54 o para Canadá, por un instalador de gas autorizado.
5. No lo conecte a conductos o filtros de aire. No lo coloque aguas abajo de unidades de enfriamiento/refrigeración, lavadores de aire o enfriadores evaporativos.
6. Esta unidad está certificada con los controles suministrados. Si necesita piezas de repuesto, ordénelas de acuerdo con la lista de piezas de repuesto. El fabricante se reserva el derecho de sustituir otros controles autorizados como repuestos.
7. No ajuste ni altere las aspas del ventilador ni la velocidad de funcionamiento del motor.
8. El calefactor debe instalarse para mantener la temperatura ambiente normal. Las temperaturas de funcionamiento por debajo de 50 °F (10 °C) pueden causar provocar la formación de condensación en el sistema del intercambiador de calor que la falla prematura del calefactor y provocar un funcionamiento inseguro. Deben instalarse termostatos con una temperatura de funcionamiento mínima de 50 °F (10 °C).
9. Los quemadores no puede funcionar a temperaturas superiores a 90 °F (32 °C). Hacer funcionar el quemador a más de 90 °F (32 °C) puede causar fallas en el calefactor y en los componentes eléctricos, y provocar una operación insegura. Si desea usar el

Unidad Compacta Calefactor

soplador solamente para hacer circular el aire, su termostato deberá tener un ajuste de "fan only" o selecciones de ventilador. Si su termostato tiene esta opción, deberá instalar un cable adicional hasta el terminal "G" del bloque de conexiones del termostato. Vea el esquema de cableado en la página 32.

10. No instale el calefactor en el exterior. Evite el rocío y el goteo de agua sobre el calefactor.
11. Las áreas con mucha humedad y mucha sal pueden dañar el calefactor y reducir su vida útil, causando una operación insegura.
12. Verifique que el calefactor se pueda ventilar de manera segura hacia el exterior de acuerdo con estas instrucciones y las normas locales/nacionales.
13. No instale las unidades en lugares donde los productos de la combustión puedan ingresar por las aberturas de edificios adyacentes, como ventanas, tomas de aire fresco y puertas.
14. Mantenga los espacios libres/distancia mínima a los materiales combustibles y los espacios libres de servicio recomendados que se muestran en la Figura 2 y en la Tabla 3.
15. Todos los electrodomésticos y máquinas generan ruido. Este calefactor genera ruido y vibraciones por su ventilador, motores y procesos de combustión. Este ruido podría considerarse una molestia cerca de zonas tranquilas como oficinas.
16. Los calefactores deben instalarse al menos a 18" (46 cm) por encima del piso en los garajes.
17. El calefactor debe instalarse de modo que el aire pueda moverse libremente hacia todas las aberturas de aire del mismo. Esto incluye aire de combustión y aire para el ventilador.

**TABLA 3**

### Distancia a superficies, materiales y accesos combustibles

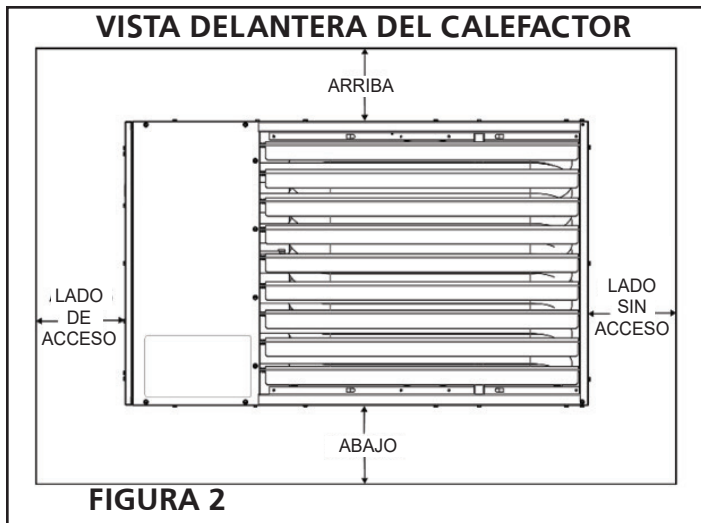
Lado de la unidad	100-125	150-400	Separación de servicio (sugerida)
Arriba y abajo	1 pulgada 2,54 cm	6 pulgadas 15,24 cm	18 pulgadas 45,72 cm
Lado de acceso	1 pulgada 2,54 cm	6 pulgadas 15,24 cm	18 pulgadas 45,72 cm
Lado sin acceso	1 pulgada 2,54 cm	1 pulgadas 2,54 cm	18 pulgadas 45,72 cm
Atrás	18 pulgadas 45,72 cm	18 pulgadas 45,72 cm	18 pulgadas 45,72 cm

**TABLA 4**

### Alturas Máximas de Instalación (entre la parte inferior de la unidad y el piso)

Tamaño del modelo	Altura máxima de Instalación
100	12'
125	14'
150	14'
200	16'
250	18'
300	18'
400	20'

**IMPORTANTE: Las condiciones ambientales y las instalaciones varían, por lo que podría ser necesario ajustar estas alturas según las normas, las condiciones ambientales y las variaciones de instalación.**

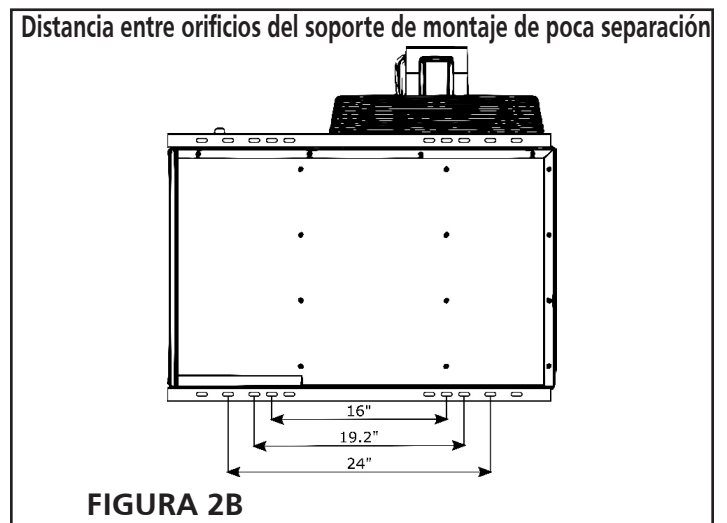
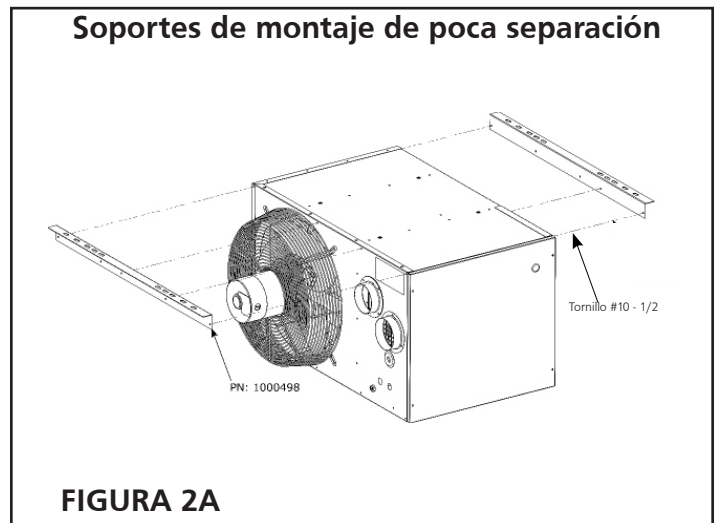


18. Para instalaciones en hangares, estacionamientos y talleres de reparación, consulte las siguientes normas:
  - Norma ANSI/NFPA 409 para hangares de aeronaves
  - Norma ANSI/NFPA 88A para estacionamientos
  - Norma ANSI/NFPA 88A para garages de reparación
  - Norma CSA-B149.1 de instalación de gas natural y propano
19. Para evitar daños al calefactor, sostenga completamente la parte inferior del mismo con madera, la tarima de envío u otro material adecuado cuando use máquinas o montacargas para elevar el calefactor hasta su posición.
20. El calefactor debe suspenderse desde arriba y no debe instalarse sobre una superficie combustible (madera, paneles de yeso, plástico). En los modelos 100 a 400 hay cuatro orificios de montaje en la parte superior del calefactor, para utilizar una varilla roscada de 3/8"-16. Debe usar tuercas y arandelas de seguridad para bloquear firmemente la varilla roscada en los orificios de montaje del calefactor.
21. La varilla roscada debe pasarse completamente a través del orificio roscado de la parte superior de la unidad, hasta que la varilla sea visible dentro del calefactor. Por lo general, un mínimo de 6 vueltas.
22. La estructura que soporta el calefactor debe tener la resistencia adecuada para soportar el peso del mismo sin deformarse ni dañarse. Consulte la Tabla 1 por el peso de las unidades.
23. Para que funcione correctamente, la unidad debe instalarse en una posición horizontal nivelada.
24. Si el calefactor se monta demasiado alto, es posible que el aire caliente no llegue al área de trabajo. Monte el calefactor lo más bajo posible, teniendo en cuenta las normas locales/nacionales. Considere los espacios libres para el equipo (como montacargas) y otras pautas de este manual sobre la distancia mínima/espacio libre hasta el piso, los materiales o el personal.

### Montaje opcional de poca separación para MHU100 y MHU125

25. Los soportes de montaje opcionales de poca separación, número de pieza 60470 en la Figura 2A, se pueden usar para montar el calefactor directamente en el techo. SOLAMENTE UTILICE ESTOS SOPORTES EN LOS MODELOS 100 Y 125.
26. Remueva los tornillos #10 como se indica en la Figura 3A. CONSERVE ESTOS TORNILLOS. Hay 3 en la parte delantera y 4 en la parte trasera.
27. Coloque los soportes de montaje de poca separación en el calefactor como se muestra en la Figura 2A.

28. Utilice los tornillos que sacó en los pasos anteriores para fijar los soportes de montaje de poca separación al calefactor. No ajuste demasiado los tornillos porque podría romper los orificios.
29. Esto proporcionará el espacio libre de 1" (2,54 cm) requerido hasta el techo para los modelos 100 y 125.
30. Usando sujetadores del tamaño adecuado (tuercas y pernos para acero o tirafondos para madera), asegure el calefactor al techo. Se recomiendan sujetadores de 3/8" de diámetro para la mayoría de las aplicaciones.
31. Asegure el calefactor a soportes estructurales capaces de soportar su peso (Tabla 1) y con las separaciones que se muestran en la Figura 2B.



## VENTILACIÓN

**⚠ADVERTENCIA:** Si se reemplaza un calefactor existente, puede ser necesario cambiar el tamaño de los sistemas de ventilación. Los sistemas de ventilación de tamaño inadecuado pueden provocar la muerte o lesiones.

**⚠ADVERTENCIA:** Si se utiliza la tubería de entrada de aire opcional, debe ubicarse en el mismo plano que la tubería de ventilación en el exterior del edificio. Si el tubo de ventilación y el tubo de entrada de aire no se ubican en el mismo plano (techo o pared), podría ocasionar lesiones o la muerte.

**⚠️ ADVERTENCIA:**

**Este calefactor debe ventilarse hacia el exterior. Este calefactor debe tener aire adecuado para la combustión. Se pueden producir lesiones o la muerte si no se siguen estas instrucciones. Siga estas instrucciones, las normas locales, y en ausencia de normas locales, siga la última edición de la Norma Nacional de Gas Combustible NFPA 54/ANSI Z223.1 en EE. UU. y la Norma de Instalación de Gas Natural y Propano CSA-B149.1 en Canadá.**

- Si el calefactor que se está instalando reemplaza un equipo existente y usa el sistema de ventilación existente de ese equipo, inspeccione el sistema de ventilación para ver si tiene el tamaño adecuado y la inclinación horizontal según las normas locales/nacionales y estas instrucciones. Verifique que no existan obstrucciones o restricciones, fugas, corrosión o cualquier otra deficiencia que podría causar una condición de inseguridad.
- Consulte la sección "OPERACIÓN" de este manual para verificar que los sistemas de ventilación existentes sean adecuados para el nuevo calefactor. Si el sistema de ventilación no tiene el tamaño correcto, el monóxido de carbono puede filtrarse en el edificio formando condensación que dañará el sistema de ventilación.
- Este calefactor se puede instalar con dos sistemas de ventilación diferentes según el modelo (consulte el número de modelo en el calefactor).
  - Ventilación eléctrica: Tubo de ventilación de escape (tubo de ventilación) y usando el aire ambiental para la combustión.
  - Combustión separada: Tubo de ventilación y usando el tubo de entrada de aire (tubo de entrada) para el aire de combustión del exterior, que es el método recomendado. Usar el aire exterior para la combustión puede mejorar la vida útil del intercambiador de calor.
- El calefactor tiene un adaptador de ventilación para conectar el tubo de ventilación y los calefactores de combustión separada tienen un adaptador de tubería de entrada para conectar el tubo de entrada de aire. Consulte la Figura 3 y la Tabla 5 en la página siguiente. Utilice un tubo de entrada y un tubo de ventilación del mismo tamaño que el conector, a menos que las normas locales/nacionales especifiquen lo contrario.
- Nunca use un tubo de ventilación o un tubo de entrada que sea más pequeño que los adaptadores del calefactor.
- Nunca bloquee las aberturas de aire.
- El calefactor se puede ventilar verticalmente como un artefacto de Categoría I u horizontalmente como un artefacto de Categoría III. Un artefacto de Categoría I tiene presión negativa en la tubería de ventilación. Un artefacto de Categoría III tiene presión positiva en la tubería de ventilación.

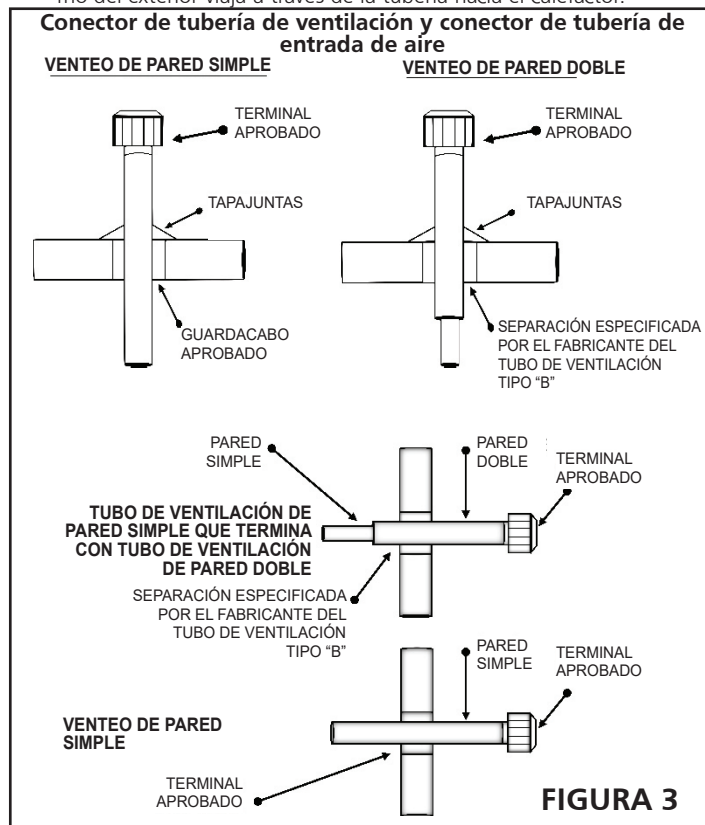
**TABLA 5****Conectores y terminales de ventilación y aire**

Tamaño del modelo	Conector de ventilación/entrada	Terminales de ventilación/entrada
100-200	4"	Terminal aprobado de 4"
250-400	6"	Terminal aprobado de 6"

- La tubería de ventilación de una sola pared debe estar a 6" (15,2 cm) o más de materiales combustibles. Aumente la distancia a los materiales que pueden dañarse por el aumento de la temperatura.
- No use PVC o plástico para ninguna parte del tubo de ventilación. Consulte NFPA54/ANSI Z223.1 para el material apropiado.
- Fije el tubo de ventilación y el tubo de entrada al calefactor usando 3 tornillos para láminas de metal #8 resistentes a la corrosión.
- La tubería de ventilación de pared simple no debe pasar a través de un ático desocupado, una pared interior, un espacio oculto o un piso.
- Cuando instale la tubería de ventilación a través de paredes (interiores o exteriores) y pisos combustibles, use guardacabos aprobados.

Unidad Compacta Calefactor

- No utilice amortiguadores de ventilación ni ningún otro dispositivo de restricción en ninguna parte del tubo de ventilación o del tubo de entrada.
- Todos los calefactores tienen un interruptor de presión. El interruptor de presión, junto con las inspecciones visuales, pueden determinar si el sistema de ventilación y el intercambiador de calor están bloqueados. No altere ni remueva el interruptor de presión. Si el interruptor de presión no funciona, comuníquese con una persona de servicio calificada.
- No lo ventile en chimeneas de mampostería.
- No comparta la ventilación con otros artefactos. La tubería de ventilación y el sistema de tubería de entrada no deben conectarse a otros artefactos.
- Los productos de combustión que salen del tubo de ventilación estarán calientes y contendrán humedad. Proteja las superficies y los materiales de construcción exteriores contra la degradación debido al calor y la humedad. Esto incluye el revestimiento vinílico.
- Consulte la Tabla 6 para conocer las distancias de terminación de la tubería de ventilación.
- No termine la tubería de ventilación por encima de las aceras públicas.
- La tubería de entrada puede ser de cualquier material adecuado que no se combe, doble o deforme y que tenga un interior liso y hermético. El diámetro interior del tubo de entrada debe ser igual o mayor que el diámetro exterior del conector del tubo de entrada del calefactor. Se recomienda usar tubería galvanizada de pared simple de espesor adecuado.
- Las conexiones de la tubería de entrada deben ser herméticas. Esto se puede hacer con cualquier material adecuado para el entorno de la instalación y la tubería utilizada. Esto incluye cinta adhesiva, cinta de aluminio y masilla.
- Si está instalando el tubo de entrada de aire combustión separada, debe terminar en la misma área y plano (vertical u horizontal) que termina el tubo de ventilación. Si la tubería de ventilación termina verticalmente, la tubería de entrada debe instalarse verticalmente. Si la tubería de ventilación termina horizontalmente, la tubería de entrada debe instalarse horizontalmente.
- La tubería de entrada de aire puede necesitar aislamiento para protegerla de la condensación que se puede formar cuando el aire frío del exterior viaja a través de la tubería hacia el calefactor.

**FIGURA 3**

**TABLA 6**

**Distancia/separación para terminales de ventilación  
(Como referencia únicamente. Consulte la última edición de las normas locales/nacionales para conocer las distancias actualizadas)**

Estructura	Distancia/separación mínima para terminales de ventilación
Entrada de aire	3' (0,91 m) por encima o 10' (3 m) horizontalmente
Puerta, ventana, entrada de aire por gravedad o cualquier abertura del edificio	4' (1,22 m) horizontal y por debajo 1' (0,3 m) por encima
Medidor eléctrico, medidor de gas, regulador de gas y equipo de alivio	EE. UU.: 4' (1,22 m) horizontal Canadá: 6' (1,83 m) horizontal
Aceras públicas adyacentes	7' (2,13 m) en todas las direcciones
Grado (nivel del suelo)	1' (0,3 m) por encima
Línea de nieve	1' (0,3 m) por encima (considere las acumulaciones)

**VENTEO VERTICAL**

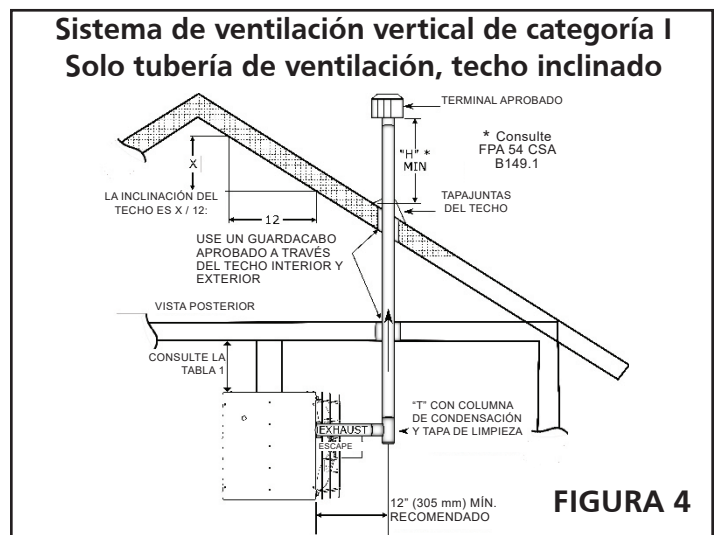
**⚠️ ADVERTENCIA:** Para ventilación de Categoría I (vertical), si la longitud horizontal del tubo de ventilación excede la longitud horizontal permitida en la última edición de las normas locales, o en ausencia de normas locales, la última edición de la Norma Nacional de Gas Combustible, NFPA 54/ANSI Z223.1 en los EE. UU. o la Norma de instalación de gas natural y propano CSA B149.1 en Canadá, entonces el calefactor debe instalarse como un artefacto de ventilación horizontal Categoría III, como se describe en la sección "Ventilación horizontal" de este manual.

- Tubería de ventilación vertical de Categoría I, consulte las normas locales/nacionales para:
  - Tamaño, material y espesor de la tubería de ventilación
  - Requisitos para tubería de ventilación de pared simple
  - Requisitos para tubería de ventilación de pared doble
- Longitud horizontal máxima permitida para tubería de ventilación en el sistema.
- Distancias a las líneas del techo para diferentes inclinaciones de techo.
- Distancias a otros edificios, estructuras o paredes.
- Los conectores de ventilación que se utilizan con artefactos de Categoría I no deben conectarse a ninguna parte de los sistemas de ventilación mecánica que operan bajo presión positiva.
- Consulte las Figuras 4, 5, 6 y 7 para conocer las recomendaciones de ventilación vertical.
- El tubo de ventilación debe tener un terminal/tapa de ventilación aprobado, firmemente colocado. El tamaño del terminal requerido se enumera en la Tabla 5.
- La tubería de entrada de aire utilizada en los modelos de combustión separada, debe tener un terminal/tapa de ventilación aprobado. El tamaño del terminal requerido se enumera en la Tabla 5.
- La tubería de ventilación debe tener un mínimo de 5 pies verticales de altura. Esto significa que debe haber un mínimo de 5 pies de tubería de ventilación vertical entre el artefacto y la tapa de ventilación aprobada. Consulte las normas locales/nacionales para saber el recorrido horizontal máximo de un sistema de ventilación vertical.
- La tapa de ventilación debe estar al menos 12" por encima de la altura máxima de nieve. Considere las acumulaciones de nieve que pueden ocurrir.
- El calor de los productos de combustión del calefactor puede

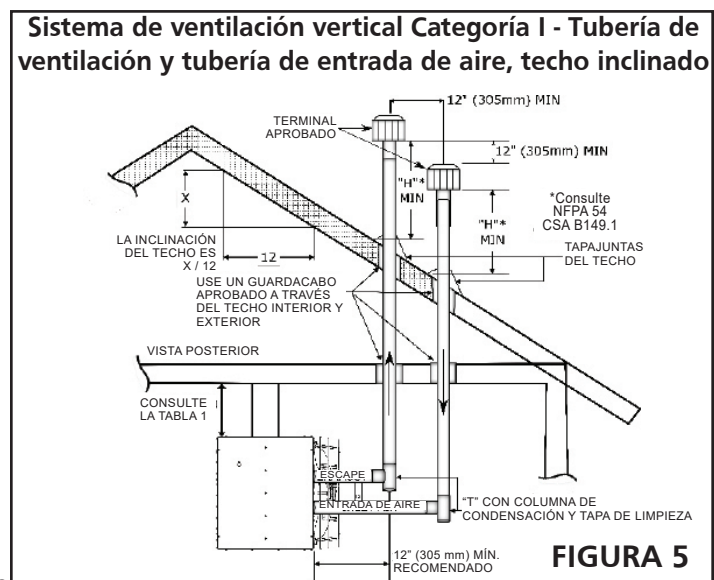
Unidad Compacta Calefactor

dañar los materiales de los techos inclinados y planos. Verifique la clasificación de temperatura del material del techo y confirme que los productos de combustión calientes del tubo de ventilación no dañarán el material del techo.

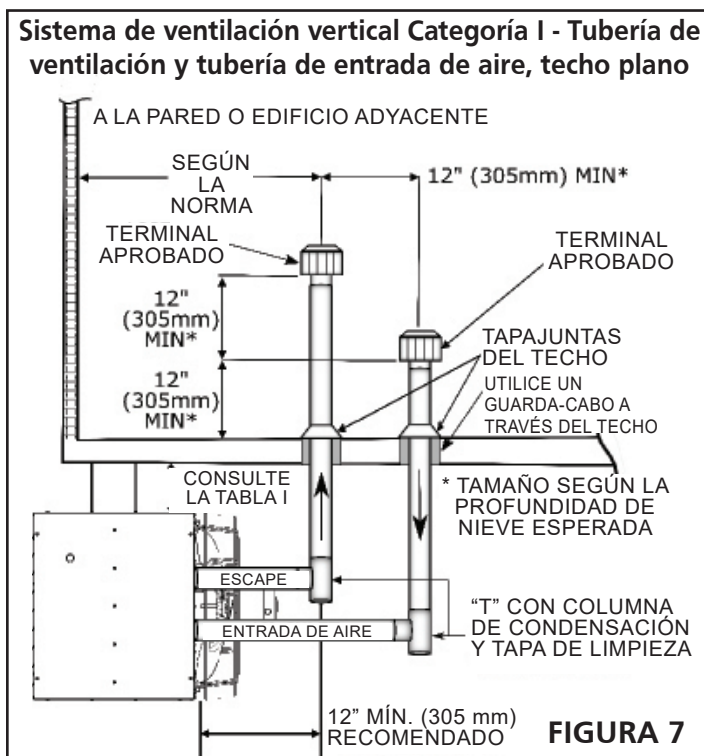
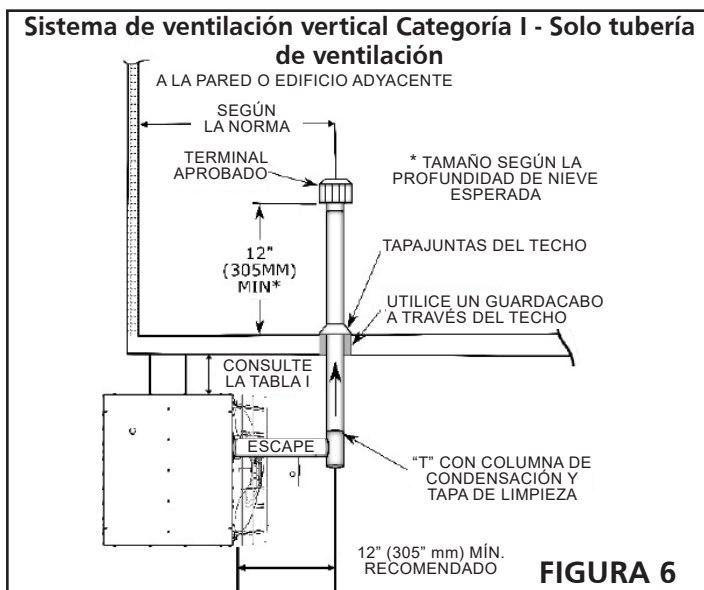
- Al instalar un sistema de dos tuberías verticalmente (combustión separada con tubería de ventilación y tubería de entrada), las dos tuberías deben terminar verticalmente y ambas tuberías deben estar dentro de la misma área general.
- Tanto la tubería de ventilación como la tubería de entrada deben tener una T y una columna de condensación/sedimentos con una tapa de limpieza para poder limpiar cualquier residuo que pueda entrar en las tuberías.
- Las uniones del tubo de entrada de aire de combustión separada deben ser herméticas para que todo el aire provenga del exterior. La tubería de entrada se puede sellar con un material adecuado para el entorno donde se instala la tubería de entrada. Los posibles materiales incluyen cinta adhesiva para conductos, masilla o sellador de silicona.
- Se puede formar condensación a medida que el aire frío se mueve a través del tubo de entrada. Proteja el equipo y los materiales del goteo de la condensación. Podría ser necesario envolver la tubería de entrada con aislamiento para evitar la condensación.
- El tubo de ventilación debe terminar al menos 12" (30,5 cm) por encima y a 12" (30,5 cm) horizontalmente del tubo de entrada de aire en los calefactores de combustión separada.
- Consulte las Figuras 4 - 7; Tabla 6 y las normas locales/nacionales para distancias a edificios, paredes, techos inclinados y otros objetos.



**FIGURA 4**



**FIGURA 5**



## VENTEO HORIZONTAL

**⚠ADVERTENCIA: ¡Se requiere un tubo de ventilación adecuado! El incumplimiento de las instrucciones podría provocar la muerte, lesiones graves y daños materiales. ¡Nunca use una tubería de un diámetro diferente al especificado! ¡Nunca use PVC, ABS o cualquier otro tubo no metálico para la ventilación!**

**⚠ADVERTENCIA: ¡Gas de combustión peligroso! Si no se siguen las instrucciones, se podrían producir fugas de gases de combustión, lo que podría provocar la muerte, lesiones graves o daños materiales sustanciales. No use ventilación Tipo B [pared doble] internamente dentro del edificio en unidades de ventilación forzada con ventilación horizontal.**

1. La ventilación horizontal es de Categoría III. La tubería de ventilación de Categoría III tiene una presión positiva en su interior. Si la tubería de ventilación de Categoría III no se usa ni se instala según

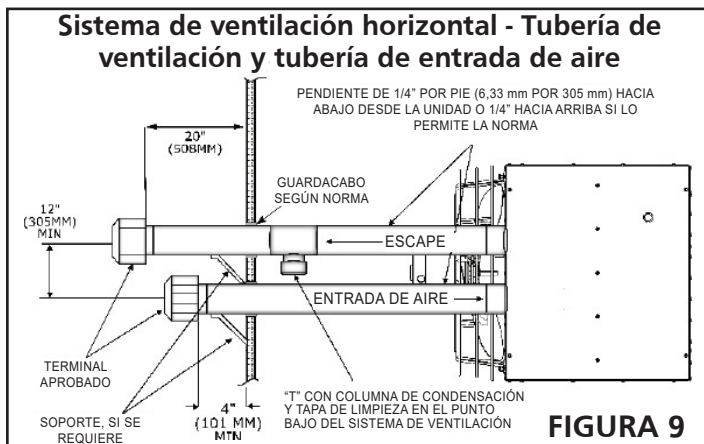
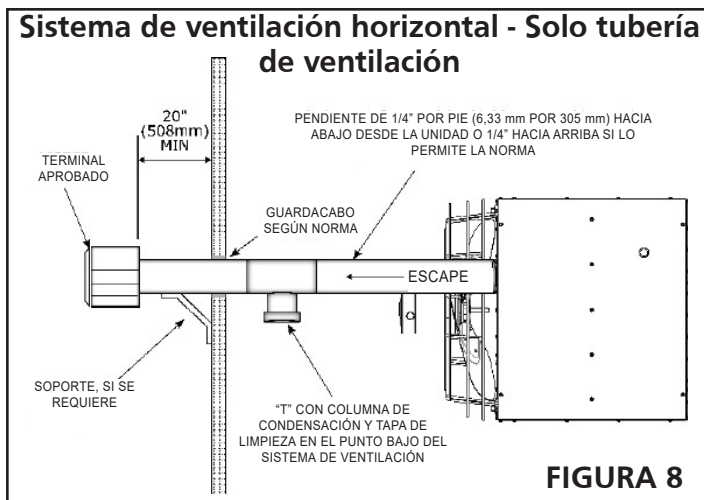
las instrucciones del fabricante de Categoría III, el monóxido de carbono puede filtrarse en el edificio.

- Los calefactores de Categoría III comerciales/industriales con ventilación horizontal pueden ventilarse con un sistema de ventilación de Categoría III certificado por la agencia (UL 1738) y, cuando la norma lo permita, con acero galvanizado de calibre 26 o más pesado, debidamente sellado.
- No conecte el tubo de ventilación o el tubo de entrada a ningún otro artefacto o sistema de ventilación. Este calefactor debe tener un tubo de ventilación y un tubo de entrada exclusivos.
- No mezcle diferentes marcas y tipos de tubería de ventilación de Categoría III.
- Consulte la Tabla 7 para conocer las longitudes de ventilación máximas y mínimas totales.
- La longitud equivalente de un codo de 90° es 5' (1,5 m) para 4" (10,2 cm) de diámetro y 7' (2,1 m) para 6" (15,2 cm) de diámetro.
- Consulte las Figuras 8 y 9 para conocer los requisitos de ventilación horizontal.
- Las secciones horizontales de la tubería de ventilación deben instalarse con una pendiente descendente mínima desde el artefacto de 1/4 de pulgada por pie (6,35 mm por 30,5 cm). Si la norma local lo permite, se puede instalar una pendiente ascendente de 1/4 de pulgada por pie.
- Sujete firmemente la ventilación horizontal y la tubería de entrada de aire cada 3 pies (0,91 m) con flejes de acero u otro material que pueda soportar la temperatura y la rigidez requeridas.
- Mantenga una separación de 6" entre la tubería de ventilación y las superficies o materiales combustibles. Es posible que se necesiten separaciones mayores si las superficies o los materiales pueden dañarse con el calor intenso.
- Se debe instalar una T con una columna de condensación, una tapa y un drenaje de condensación en el punto más bajo de la tubería de ventilación antes de que salga de la estructura/edificio.
- La tubería de ventilación y la tubería de entrada (modelos de combustión separada) deben terminar con un terminal/tapa de ventilación aprobado, del tamaño indicado en la Tabla 5.
- El tubo de ventilación debe extenderse 20" (50,8 cm) más allá de la superficie exterior de una pared exterior, o más, si existe la posibilidad de que el calor dañe los materiales de construcción.
- El tubo de entrada de aire debe extenderse 4" (30,5 cm) más allá de la superficie exterior de la pared exterior.
- El tubo de ventilación no debe terminar sobre pasillos públicos o sobre un área donde la condensación o el vapor podrían crear una molestia o peligro, o donde podrían ser perjudiciales para el funcionamiento de reguladores, aberturas de alivio u otros equipos.
- El tubo de ventilación y el tubo de entrada de aire (modelos de combustión separada) deben instalarse 12" (30,5 cm) por encima de la línea de nieve. Considere las acumulaciones de nieve.
- El tubo de entrada de aire de combustión debe estar a una distancia mínima de 12" (30,5 cm) del tubo de ventilación, y a 4" (10,2 cm) de la pared exterior.

**TABLA 7**

**Diámetros y longitudes totales equivalentes de tubería de ventilación horizontal**

Tamaño del modelo	Diámetro del tubo de ventilación	Longitud de ventilación equivalente	
		Mínima	Máximo
100-150	4" (10,2 cm)	5' (1,5 m)	30' (9 m)
200	4" (10,2 cm)	5' (1,5 m)	50' (15,25 m)
250-400	6" (15,2 cm)	5' (1,5 m)	50' (15,25 m)

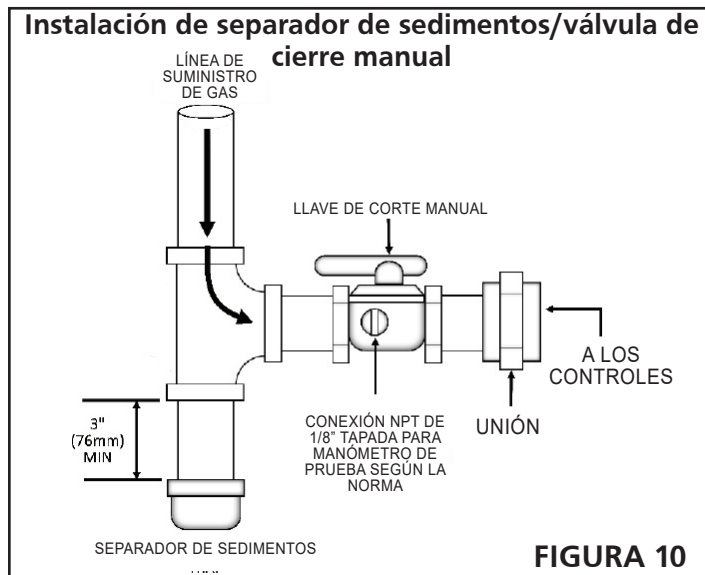


## INSTALACIÓN DE GAS

**⚠️ ADVERTENCIA:** No le aplique más de 1/2 psi (3,48 kPa) de presión de gas al calefactor. Las presiones superiores a 1/2 psi (3,48 kPa) dañarán el calefactor y podrían provocar lesiones o la muerte. Nunca use un fósforo o una llama para buscar fugas de gas. Esto podría provocar una explosión o un incendio, lo que causaría lesiones o la muerte.

- La instalación de tuberías de gas debe cumplir con las normas locales/nacionales.
- En el Estado de Massachusetts, este calefactor debe ser instalado por un plomero o instalador de gas con licencia y debe tener una válvula de gas tipo "asa en T".
- La tubería de gas debe tener la capacidad adecuada para entregar la cantidad correcta de gas a la presión adecuada para el calefactor. La capacidad máxima de la tubería de gas está definida por las normas locales, NFPA 54 o CSA B149.1. La capacidad se basa en:
  - El diámetro de la tubería de gas.
  - La longitud de la tubería de gas.
  - Tipo de gas utilizado (gas natural o propano).
  - La presión de operación del gas.
  - La tasa de entrada, o tasa de flujo de gas del calefactor.
- Con la información anterior y el flujo de gas para cada calefactor de la Tabla 8, determine el tamaño adecuado de la tubería de gas requerida.

- La presión mínima del gas de entrada es:
  - Gas natural = 6,0" de columna de agua (1,49 kPa)
  - Propano = 11,0" de columna de agua (2,74 kPa)
- La presión máxima de gas para el artefacto es de 1/2 PSI (14" de columna de agua o 3,48 kPa).
- Instale una unión y una válvula de cierre manual junto a la unidad para un cierre de emergencia y un fácil mantenimiento de los controles, incluida una toma tapada NPT de 1/8" accesible para la conexión del manómetro de prueba. Consulte la Figura 10.



**TABLA 8**

### Información sobre el consumo de gas y el orificio\*

Tamaño del modelo	Tipo de gas	CFH** (m³/h)	Gal/h (L/h)	Tamaño del orificio	Cant. de orificios
100	GN	95,2 (2,7)	-	#42	4
	PL	40 (1,1)	1,09 (4,1)	#53	
125	GN	119 (3,7)	-	#42	5
	PL	50,0 (1,4)	1,36 (5,1)	#53	
150	GN	142,9 (4,0)	-	#42	6
	PL	60,0 (1,7)	1,6 (6,2)	#53	
200	GN	190,5 (5,4)	-	#38	7
	PL	80,0 (2,2)	2,2 (8,3)	#52	
250	GN	238,1 (6,7)	-	#37	8
	PL	100 (2,8)	2,7 (10,3)	1,65 mm	
300	GN	285,7 (8,1)	-	#36	9
	PL	120 (3,4)	3,3 (12,4)	#51	
400	GN	381,0 (10,8)	-	#36	12
	PL	160 (4,5)	4,4 (16,5)	#51	

\* Presión del colector: GN = 3,5" de columna de agua (0,87 kPa) y PL = 10" de columna de agua (2,49 kPa).

\*\* CFH basado en el valor calorífico del GN = 1050 BTU/pie³ (39,1 MJ/m³) y el valor calorífico de PL = 2500 BTU/pie³ (93,1 MJ/m³).

- Cuando conecte la tubería de gas a la válvula de gas en el calefactor, use con cuidado una segunda llave para que la válvula de gas no gire y evite dañar la válvula o el calefactor.
- Instale un separador de sedimentos lo más cerca posible del artefacto. Consulte la Figura 10.



10. Use un compuesto para juntas de roscas que esté aprobado para usar con el gas que se usará para el calefactor.
11. Pruebe la presión/fugas de la línea de suministro de gas antes de instalar el calefactor según la norma local/nacional. Después de instalar el calefactor, realice una prueba de presión/fugas con presiones de prueba por debajo de 1/2 psi (3,48 kPa) al artefacto. Se producirán daños si la presión de prueba del artefacto es superior a 1/2 psi (3,48 kPa). La válvula de gas del artefacto debe estar apagada/cerrada durante cualquier prueba de presión.

## INSTALACIÓN ELÉCTRICA

**⚠ADVERTENCIA: Desconecte toda la energía eléctrica antes de instalar o reparar el calefactor. Si no desconecta toda la energía eléctrica antes de la instalación o el mantenimiento, se pueden producir descargas eléctricas, lesiones o la muerte.**

1. La instalación del cableado debe cumplir con las normas de construcción locales, o en su defecto, con la Norma Eléctrica Nacional ANSI/NFPA 70 - Última edición. La unidad debe estar conectada eléctricamente a tierra de acuerdo con esa norma. En Canadá, el cableado debe cumplir con CSA C22.1, Parte 1, de la Norma eléctrica.
2. Cada unidad viene con dos copias del diagrama de cableado para la unidad. Una está ubicada en el compartimiento de control de acceso lateral y la otra se suministra en este manual (consulte la Figura 11). Consulte este diagrama para conocer todas las conexiones del cableado.
3. Consulte la Figura 1 en la página 3 para conocer el punto de entrada al calefactor para el cable de alimentación y el cable del termostato. Se proporcionan orificios ciegos de tamaño estándar.
4. El cableado del termostato es solo para termostatos de 24 voltios.
5. Las conexiones del termostato se realizan en la placa de circuito dentro del calefactor.
6. Algunos termostatos pueden requerir el terminal común "C" para funciones adicionales como WIFI. Consulte las instrucciones del fabricante del termostato.
7. El voltaje de alimentación y las conexiones a tierra se realizan en el calefactor utilizando empalmes plásticos para cables del tamaño adecuado para los cables negro, blanco y verde/amarillo.
8. El suministro de energía al calefactor debe ser provisto por un circuito con fusible, con un interruptor de desconexión ubicado lo más cerca posible del calefactor.
9. El voltaje de la fuente de alimentación debe estar dentro del 5 por ciento de la especificación (115V). Si no ocurre esto, avísele a la compañía de servicios públicos.

## PROCEDIMIENTO DE OPERACIÓN

**⚠ADVERTENCIA: Si no se confirma el tamaño del orificio y la presión del colector adecuados para la ubicación de la instalación, el gas y la elevación, se podrían producir lesiones, daños materiales o la muerte, incluidos incendios o fallas prematuras del calefactor. Nunca ajuste la tasa de entrada, la presión del colector o el tamaño del orificio para elevar la tasa de entrada.**

**⚠ADVERTENCIA: Si no se confirma el tamaño del orificio y la presión del colector adecuados para la ubicación de la instalación, el gas y la elevación, se anulará la garantía de los componentes eléctricos y del intercambiador de calor.**

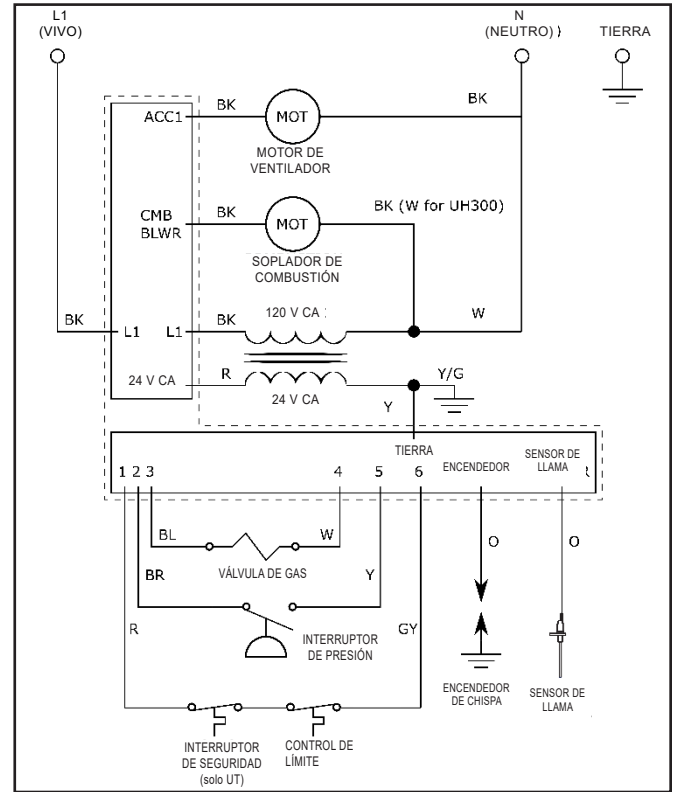
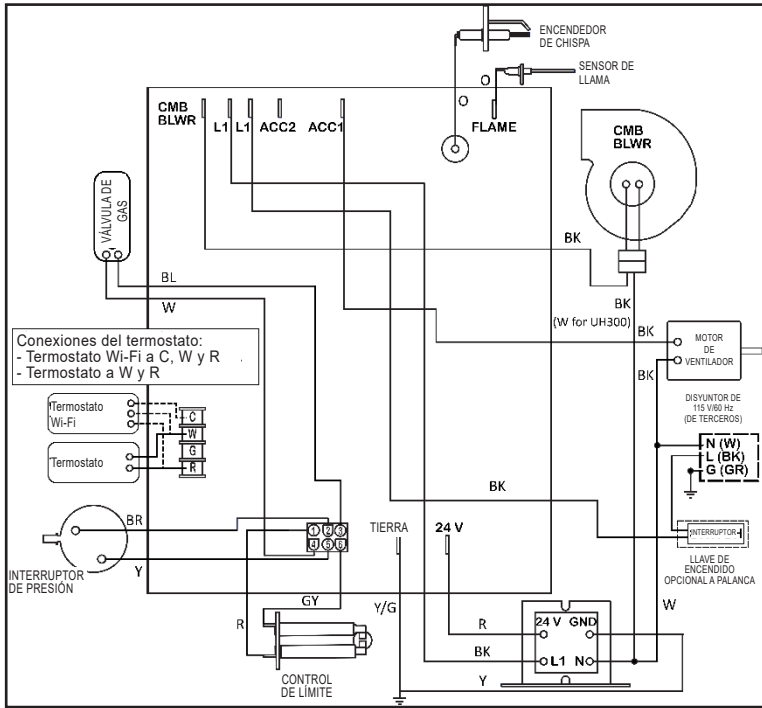
Esta unidad se ensambló por completo y se le realizaron pruebas de funcionamiento en la fábrica. Se deben realizar los siguientes procedimientos previos a la operación para verificar el correcto funcionamiento de la instalación en el sitio.

### NOTA: No omita ni puentee ningún control.

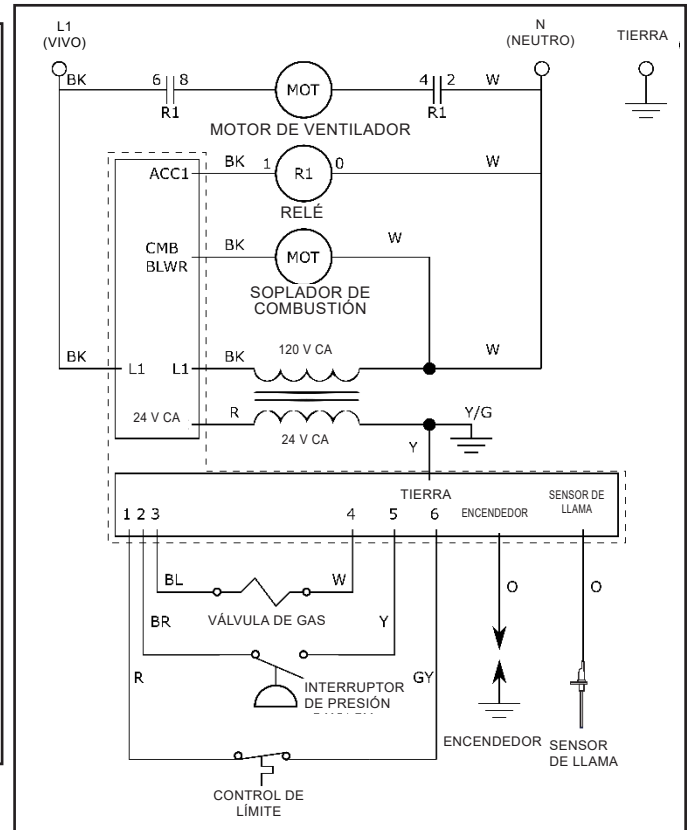
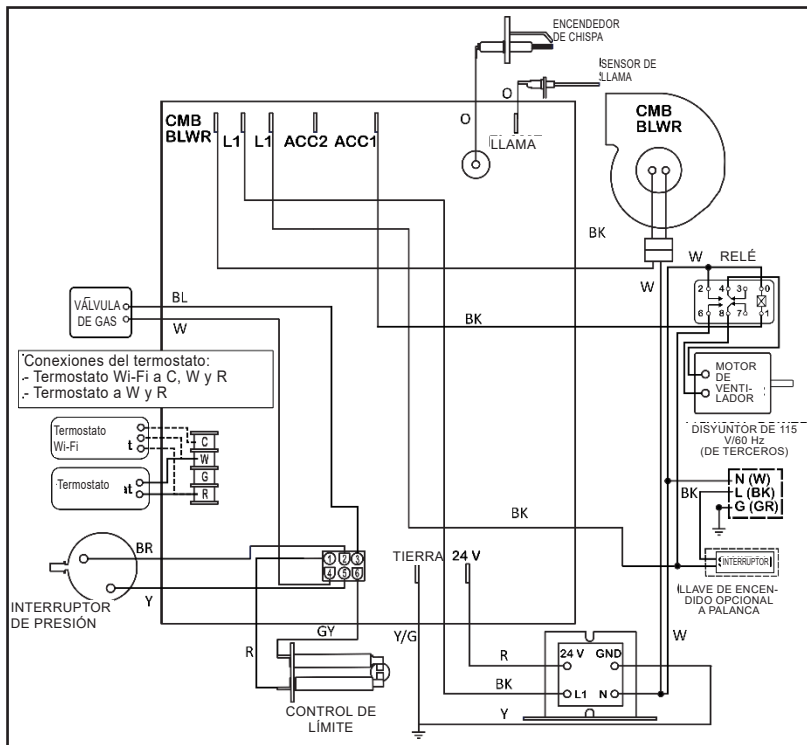
1. Con la energía eléctrica apagada en el interruptor de desconexión y la válvula de gas manual cerrada, realice una inspección visual para verificar lo siguiente:
  - a. Las aberturas de aire no están obstruidas ni bloqueadas.
  - b. El ventilador no hace contacto con el protector del ventilador o el gabinete cuando se gira con la mano.
  - c. Todos los tornillos están apretados.
  - d. El tamaño del orificio coincide con la placa de datos o, si corresponde, con el tamaño del juego para gran altitud o con el juego de conversión de propano.
  - e. Los orificios están centrados con los quemadores.
  - f. Las persianas del deflector de aire están en la dirección deseada y NO completamente cerradas.
  - g. Confirme que todos los cables y las conexiones eléctricas estén instalados según el diagrama de cableado y que estén bien asegurados. Los cables no deben estar cerca de la llama del quemador ni de otras superficies calientes.
2. Con la conexión eléctrica y de gas manualmente apagadas, instale medios e instrumentos apropiados para medir la presión de entrada de gas a la válvula de gas del calefactor y la presión del colector de gas (presión de salida). Consulte la Figura 12 en la página 12 para conocer la ubicación de las tomas de presión para medir la presión del gas de entrada y la presión del colector de gas (presión de salida).
3. Encienda la ENERGÍA ELÉCTRICA SOLAMENTE con el interruptor de desconexión.
4. Los controles de este calefactor pueden determinar si un interruptor de presión y los interruptores de límite de temperatura funcionan correctamente. No puentee ni anule los dispositivos de seguridad.
5. Pida calor con el termostato y verifique que los controles del calefactor funcionen correctamente sin gas. La secuencia debe ser:
  - a. Pida calor con el termostato.
  - b. El soplador de combustión inicia el purgado previo de 30 segundos.
  - c. El encendedor de chispa se encenderá durante 10 segundos después del purgado previo.
  - d. Debido a que el gas está cerrado, los quemadores no se encenderán y el ventilador de combustión seguirá funcionando.
  - e. Después de 30 segundos de purgado intermedio, el encendedor de chispa se activará durante 10 segundos. Esto se repetirá 1 vez más, para un total de 3 intentos de encendido.
  - f. Después del tercer intento de encendido, el soplador de combustión seguirá funcionando durante 5 segundos. El LED del control deberá parpadear 2 veces como se muestra en la tabla "Código de diagnóstico LED" ubicada en el calefactor y en la Tabla 11.
  - g. Si no ocurre la secuencia anterior, consulte "Resolución de problemas".
6. Apague el interruptor eléctrico. Abra la llave manual de paso de gas.
7. Utilice un detector de fugas de gas adecuado para verificar que no haya fugas de gas, incluso en los instrumentos de medición de presión de gas para controlar la presión de entrada y la presión del colector.
8. Encienda el suministro de energía eléctrica. El termostato aún debería estar pidiendo calor.
9. Todo el aire de la línea de gas debe haber sido purgado del sistema siguiendo las normas locales/nacionales durante la instalación de la tubería de gas.

# Figura 11 - Conexiones eléctricas y diagramas de escalera

## Tamaño del modelo 100 a 300



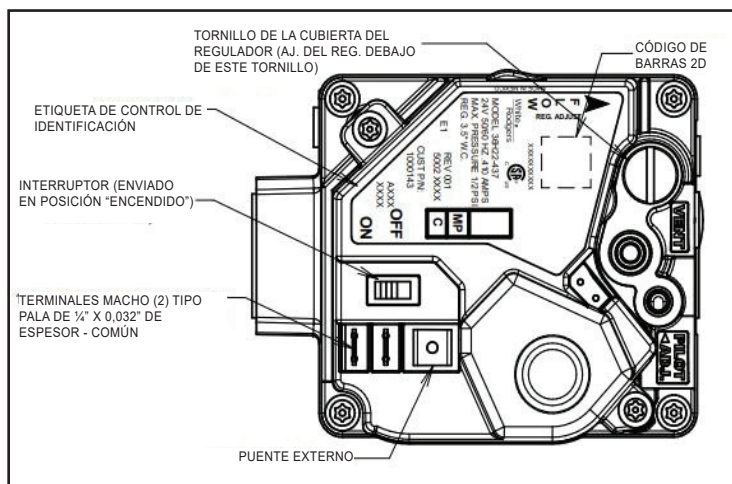
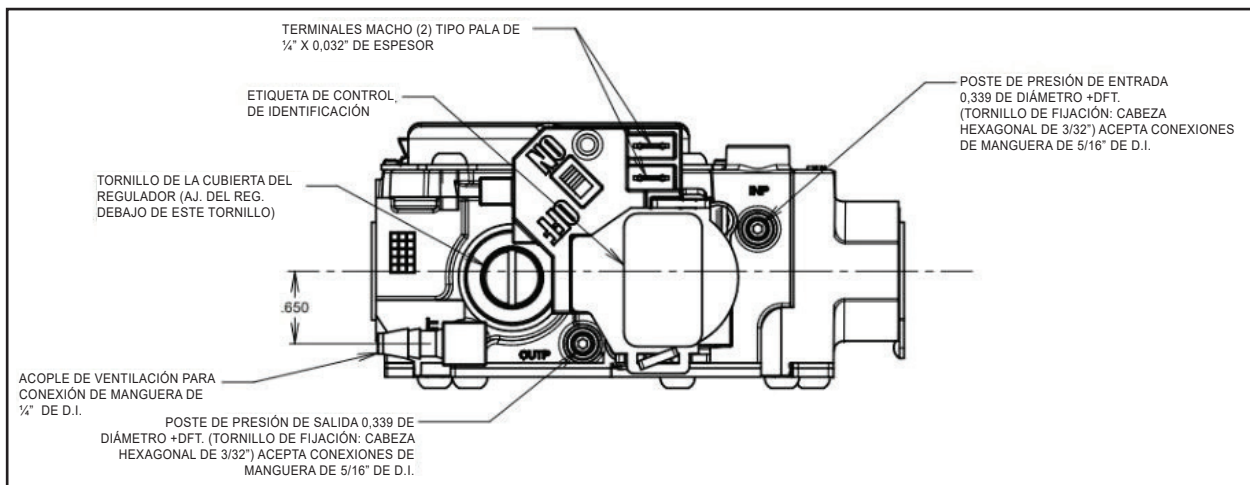
## Solo Tamaño del modelo 400



\* Hay un fusible de 3 amperios en el tablero de control de todos los calentadores

10. Cuando los quemadores se enciendan, verifique que la presión de entrada de gas esté entre 6,0" y 14" de columna de agua (1,50 - 3,49 kPa) para gas natural y entre 11,0" y 14" de columna de agua (2,74 - 3,49 kPa) para propano. Si la presión del gas no está en este rango, consulte con la compañía proveedora de gas, el instalador o el personal de servicio calificado para determinar la causa.
11. Verifique que la presión del colector coincida con el valor de la placa de identificación, el valor para la instalación a gran altitud o el valor para el juego de conversión de propano. Debido a las tolerancias de fabricación, es posible que necesite ajustar la presión del colector de gas a la presión exacta para la instalación.
12. Para ajustar la presión del colector de gas:
  - a. Saque la tapa del regulador. Consulte la Figura 12.
  - b. Para aumentar la presión, gire el tornillo regulador en el sentido de las agujas del reloj.
  - c. Para disminuir la presión, gire el tornillo del regulador en sentido antihorario.
  - d. Vuelva a colocar la tapa del regulador.
13. Verifique que el ventilador de circulación de aire se encienda aproximadamente 30 segundos después de que se encienda el quemador.
14. Deje de pedir calor con el termostato.
15. Después de que los quemadores se apaguen, el soplador de combustión debe funcionar durante 5 segundos adicionales y el ventilador de circulación de aire debe funcionar durante 150 segundos adicionales.
16. Después de que el ventilador se detenga, apague la energía eléctrica y la válvula de gas manual.
17. Remueva los instrumentos de medición de presión del gas e instale/apriete los accesorios que se removieron/usaron durante la verificación de la presión del gas.
18. Encienda la energía eléctrica y abra la llave manual de paso de gas.
19. Revise que no hayan fugas de gas.
20. Vuelva a pedir calor con el termostato.
21. Después de que se enciendan los quemadores, verifique si hay fugas de gas después de la válvula de gas del calefactor, incluidos los acoples de gas utilizados para medir la presión del gas.
22. Verifique que el sistema de ventilación esté instalado correctamente y que no tenga obstrucciones. Antes de comenzar, siga los siguientes pasos para verificar que el sistema de ventilación tenga el tamaño adecuado:

**Figura 12 - Detalles de la válvula de gas  
Tamaño del modelo 100 a 200**



**Tamaño del modelo 250 a 400**  
**NOTA: Las tomas de presión de gas están ubicadas en el costado y etiquetadas como "IN P" y "OUT P"**

- a. Selle todas las aberturas sin usar del sistema de ventilación.
  - b. Inspeccione el sistema de ventilación para verificar el tamaño y la inclinación horizontal adecuados, según lo exige la Norma Nacional de Gas Combustible, NFPA 54/ANSI Z223.1 o la Norma de Instalación CSA B149.1 - Última edición y estas instrucciones. Verifique que no existan obstrucciones o restricciones, fugas, corrosión o cualquier otra deficiencia que podría causar una condición de inseguridad.
  - c. Si se puede, cierre todas las puertas y ventanas del edificio y todas las puertas entre los lugares donde se encuentran los otros artefactos conectados al sistema de ventilación y otros espacios del edificio. Encienda todos los secadores de ropa y extractores de aire, como los de la cocina y el baño, para que funcionen a su máxima velocidad. No encienda los extractores de aire de verano. Cierre las compuertas de los hogares.
  - d. Siga las instrucciones de encendido. Haga funcionar el artefacto que esté inspeccionando. Ajuste el termostato para que el artefacto funcione constantemente.
  - e. Luego de haber determinado que cada uno de los artefactos conectados al sistema de ventilación se ventile correctamente al probarlos de la forma indicada anteriormente, vuelva a colocar las puertas, ventanas, ventiladores de extracción, compuertas de hogares y cualquier otro artefacto a gas en las condiciones en que estaban antes de la prueba.
  - f. Si nota una ventilación inadecuada durante cualquiera de las pruebas anteriores, tendrá que corregir el sistema de ventilación.
23. Después de confirmar el correcto funcionamiento del calefactor, vuelva a colocar el panel de acceso.
  24. Si se produce un sobrecalentamiento, o si el sistema de control de suministro de gas no se cierra, cierre la llave manual de gas que alimenta el calefactor antes de desconectar la energía eléctrica.
  25. No use este calefactor si alguna de las piezas ha estado bajo el agua. Llame inmediatamente a un técnico de mantenimiento calificado para que inspeccione el calefactor y reemplace cualquier sistema de control de gas que haya estado bajo el agua.

## INSTALACIÓN DE PROPANO Y GRAN ALTITUD

Todos los modelos están certificados por ETL para elevaciones de 0' - 2000' (0 - 610 m), 2001' - 5400' (610,5 - 1645 m), 5401' - 7800' (1645,5 - 2377 m) y 7801' - 10 100' (2.377,5 - 3.078 m). La clasificación de entrada en este manual es para 0' - 2,000' (0 - 610 m). Si va a instalar una unidad a una altura superior a los 2000' (610 m), deberá seguir las siguientes instrucciones. Con cada calefactor se incluye una etiqueta de gran altitud que debe completarse con un marcador permanente y adherirse al calefactor, junto a la placa de identificación.

### Juegos de conversión y ajustes de gran altitud para gas natural

La Tabla 9 enumera la presión del colector requerida y la configuración del interruptor de presión si es diferente al nivel del mar (fábrica) y los orificios para instalaciones de gas natural a gran altitud. No es necesario cambiar los orificios en ningún modelo para gran altitud. Los interruptores de presión deberán comprarse en la fábrica. Los números de pieza se enumeran en la sección "Piezas de repuesto" de este manual.

### Conversiones a propano e información de gran altitud para propano

La Tabla 10 enumera la presión del colector y la configuración del interruptor de presión requerida para instalaciones que no sean al nivel del mar (fábrica) y los orificios para instalaciones de gas natural a gran altitud. Siga la hoja de instrucciones incluida con el juego de conversión de propano sobre cómo convertir de gas natural a propano.

Consulte la tabla de piezas para ver los números de piezas de los "juegos de conversión". Comuníquese con su representante de ventas local o con el Servicio de atención al cliente para preguntar sobre disponibilidad.

**Consulte la sección "Operación" de este manual para ajustar correctamente el calefactor.**

**Tabla 9 – Información y conversión para gas natural a gran altitud**

**TABLA 9.1**  
**Información de gran altitud para unidades a GN:**  
**2001' a 5400' (610 m a 1645 m)**

Tamaño del modelo	Entrada (BTU/h)	Presión del colector para GN (pulg. de c.a.)/(kPa)	Interruptor de presión	Tamaño del orificio (cantidad)
100	100.000	3,5/0,87	-0,80	#42 (4)
125	125.000	3,5/0,87	-0,80	#42 (5)
150	150.000	3,5/0,87	-0,80	#42 (6)
200	200.000	3,5/0,87	N/D	#38 (7)
250	250.000	3,5/0,87	-1,10	#37 (8)
300	300.000	3,5/0,87	-1,20	#36 (9)
400	400.000	3,5/0,87	-1,45	#36 (12)

**TABLA 9.2**

**Información de gran altitud para unidades a GN:**  
**5.401' a 7.800' (1.645,5m a 2.377m)**

Tamaño del modelo	Entrada (BTU/h)	Presión del colector para GN (pulg. de c.a.)/(kPa)	Interruptor de presión	Tamaño del orificio (cantidad)
100	100.000	3,5/0,87	-0,80	#42 (4)
125	125.000	3,5/0,87	-0,80	#42 (5)
150	150.000	3,5/0,87	-0,80	#42 (6)
200	200.000	3,5/0,87	-0,80	#38 (7)
250	250.000	3,5/0,87	-1,10	#37 (8)
300	300.000	3,5/0,87	-1,20	#36 (9)
400	400.000	3,5/0,87	-1,40	#36 (12)

**TABLA 9,3**

**Información de gran altitud para unidades a GN:**  
**7.801' a 10.100' (2.377m a 3.078m)**

Tamaño del modelo	Entrada (BTU/h)	Presión del colector para GN (pulg. de c.a.)/(kPa)	Interruptor de presión	Tamaño del orificio (cantidad)
100	100.000	3,5/0,87	-0,75	#42 (4)
125	125.000	3,5/0,87	-0,75	#42 (5)
150	150.000	3,5/0,87	-0,75	#42 (6)
200	200.000	3,5/0,87	-0,75	#38 (7)
250	250.000	3,5 /0,87	-1,10	#37 (8)
300	300.000	3,5/0,87	-1,20	#36 (9)
400	400.000	3,5/0,87	-1,35	#36 (12)

**NOTA :** Los orificios estándar se utilizan para instalaciones a gran altura.

Tabla 10 – Información y conversiones a propano (PL) para todas las elevaciones

**Tabla 10.1 Información sobre propano: 0' a 2.000' (0 a 610 m)**

Tamaño del modelo	100	125	150	200	250	300	400
BTU/h de entrada	100.000	125.000	150.000	200.000	250.000	300.000	400.000
Tamaño del orificio	53	53	53	52	1,65 mm	51	51
Cantidad de orificios en el juego*	6	6	6	7	8	12	12
L.P. Presión del colector (pulg. de c.a.)/(kPa)	10,0/2,49	10,0/2,49	10,0/2,49	10,0/2,49	10,0/2,49	10,0/2,49	10,0/2,49
Interruptor de presión	N/D	N/D	N/D	N/D	N/D	N/D	N/D

\*Los juegos pueden contener más orificios de los necesarios para el modelo específico que se está convirtiendo. Los orificios adicionales se pueden desechar.

**Tabla 10.2 Información sobre propano: 2001' a 5400' (610,5 m a 1645 m)**

Tamaño del modelo	100	125	150	200	250	300	400
BTU/h de entrada	100.000	125.000	150.000	200.000	250.000	300.000	400.000
Tamaño del orificio	53	53	53	52	1,65mm	51	51
Cantidad de orificios en el juego*	6	6	6	7	8	12	12
L.P. Presión del colector (pulg. de c.a.)/(kPa)	10,0/2,49	10,0/2,49	9,2/ 2,29	8,6/ 2,14	9,3 / 2,32	9,2 / 2,29	8,2 / 2,04
Interruptor de presión	-0,80	-0,80	-0,80	N/D	-1,10	-1,20	-1,45

\*Los juegos pueden contener más orificios de los necesarios para el modelo específico que se está convirtiendo. Los orificios adicionales se pueden desechar.

**Tabla 10.3 Información sobre propano: 5.401' a 7.800' (1.646,5 a 2.377 m)**

Tamaño del modelo	100	125	150	200	250	300	400
BTU/h de entrada	100.000	125.000	150.000	200.000	250.000	300.000	400.000
Tamaño del orificio	53	53	53	52	1,65mm	51	51
Cantidad de orificios en el juego*	6	6	6	7	8	12	12
L.P. Presión del colector (pulg. de c.a.)/(kPa)	9,2/2,30	9,2/2,30	8,6/2,14	8,0 / 1,99	9,0 / 2,24	8,9 / 2,22	8,1 / 2,02
Interruptor de presión	-0,80	-0,80	-0,80	-0,80	-1,10	-1,20	-1,40

\*Los juegos pueden contener más orificios de los necesarios para el modelo específico que se está convirtiendo. Los orificios adicionales se pueden desechar.

**Tabla 10.4 Información sobre propano: 7.801' a 10.100' (2.387m a 3.078m)**

Tamaño del modelo	100	125	150	200	250	300	400
BTU/h de entrada	100.000	125.000	150.000	200.000	250.000	300.000	400.000
Tamaño del orificio	53	53	53	52	1,65 mm	51	51
Cantidad de orificios en el juego*	4	5	6	7	8	9	12
L.P. Presión del colector (pulg. de c.a.)/(kPa)	8,8/2,20	8,8/2,20	8,1 / 2,02	7,5 / 1,87	8,7 / 2,17	8,7 / 2,17	8,0/1,99
Interruptor de presión	-0,75	-0,75	-0,75	-0,75	-1,10	-1,20	-1,35

\*Los juegos pueden contener más orificios de los necesarios para el modelo específico que se está convirtiendo. Los orificios adicionales se pueden desechar.

## MANTENIMIENTO

Haga que una agencia de servicio calificada realice el siguiente mantenimiento todos los años:

**⚠️ ADVERTENCIA: Las reparaciones y mantenimiento deben realizarse por una agencia de servicios calificada. Use solamente partes de repuesto autorizadas por el fabricante.**

1. Antes de cualquier mantenimiento, **CORTE EL GAS EN LA VÁLVULA DE CIERRE MANUAL Y CORTE TODA LA ENERGÍA ELÉCTRICA AL CALEFACTOR.**
2. Ventilador de circulación de aire y motor:
  - a. Verifique que el tornillo de fijación de las aspas del ventilador esté apretado con un par mínimo de 25 libras por pulgada y un máximo de 100 libras por pulgada.
  - b. Limpie las aspas del ventilador, el protector del ventilador y el motor.
  - c. Verifique que las aspas del ventilador, el eje del motor y el motor no estén dañados.
3. Quemadores y orificios:
  - a. Remueva los quemadores del calefactor y límpielos con un cepillo o paño adecuado.
  - b. Limpie los orificios y verifique que los agujeros no estén bloqueados.
  - c. Compruebe que no esté dañado, oxidado o deteriorado.
  - d. Verifique que los puertos de transferencia del quemador no estén dañados y que se toquen entre sí.
4. Encendedor de chispa y sensor:
  - a. Limpie cuidadosamente el sensor y el encendedor de chispas.
  - b. Compruebe que la cerámica no tenga grietas.
  - c. Compruebe que no haya daños o deterioro de las piezas metálicas.
5. Cableado:
  - a. Verifique que todas las conexiones estén firmes.
  - b. Compruebe que los cables no estén dañados por el calor.
6. Válvula de gas y tubería:
  - a. Verifique que los acoples de gas no tengan fugas con detectores de fugas adecuados. No use un fósforo o una llama. Asegúrese de encender el gas para esta parte del mantenimiento.
  - b. Verifique la presión de gas del colector y la presión de gas de entrada.
7. Soplador de combustión:
  - a. Limpie el polvo y la suciedad de las aletas de refrigeración por aire.
  - b. Limpie el polvo y la suciedad del motor.
  - c. Verifique que la manguera de caucho de silicona para alta temperatura no esté agrietada ni dañada.
8. Intercambiador de calor y gabinete:
  - a. Inspeccione el intercambiador de calor en busca de daños y grietas.
  - b. Inspeccione todos los accesorios (tornillos, tuercas, mirilla) del gabinete, incluido los que se utilizan para el montaje.
9. Sistema de ventilación:
  - a. Inspeccione el sistema de ventilación en busca de daños, sujetadores sueltos, soportes sueltos o evidencia de daños en los materiales circundantes.
  - b. Limpie las terminaciones de ventilación y entrada de aire.
  - c. Limpie la rejilla de entrada de aire al calefactor.
  - d. Limpie la columna de condensación.

**TABLA 11**  
**Código de diagnóstico del LED verde**

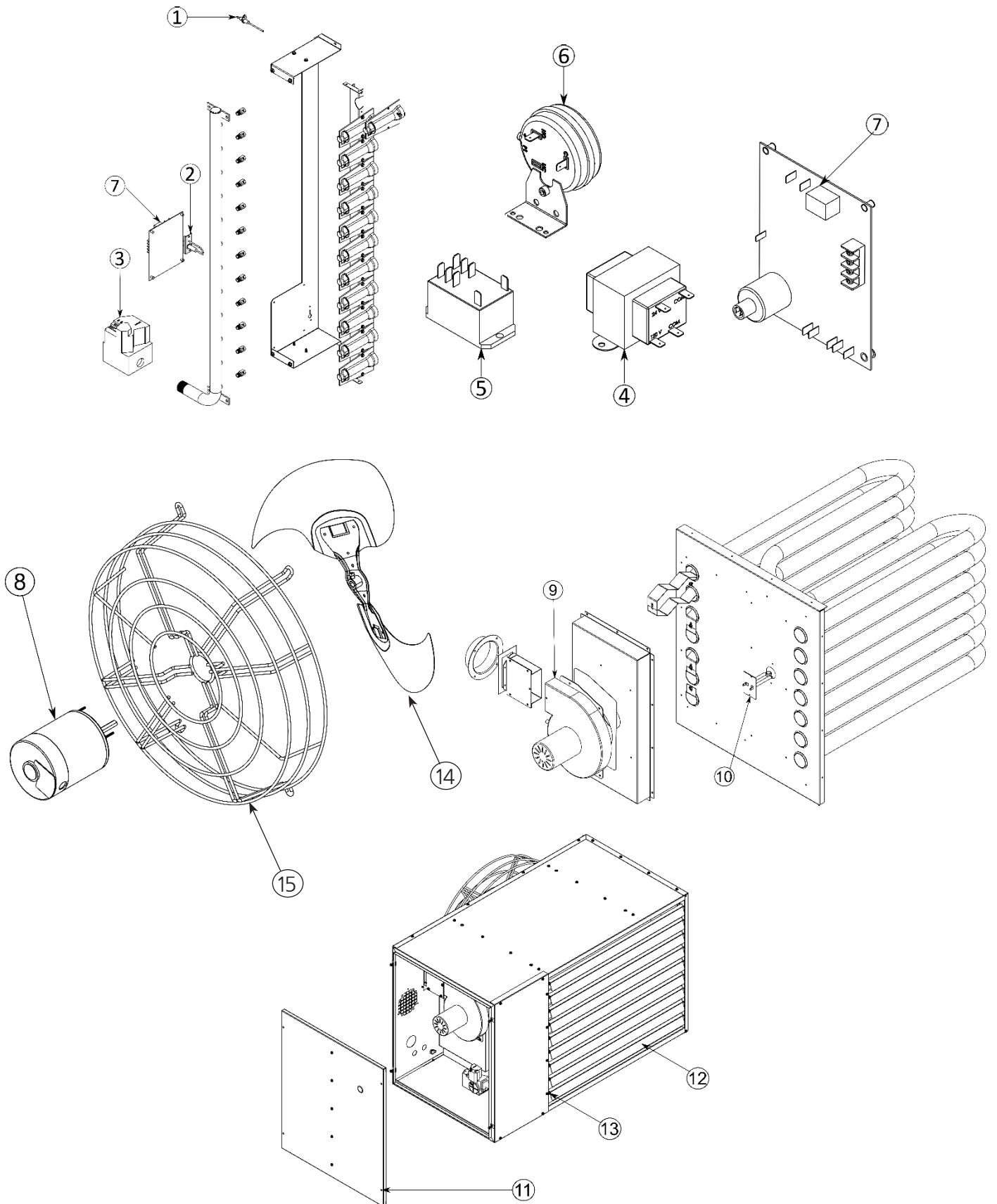
Encendido	Falla interna de control
Apagado	Falla de control interna o sin energía
Parpadeo lento	Control OK, no hay pedido de calefacción
Parpadeo rápido	Control OK, hay pedido de calefacción
2 parpadeos	Bloqueado por encendidos fallidos o pérdidas de llama
3 parpadeos	Interruptor de presión abierto con inductor encendido o cerrado con inductor apagado
4 parpadeos	El interruptor de límite o de seguridad está abierto
5 parpadeos	Llama detectada mientras la válvula de gas está cerrada
6 parpadeos	Los microprocesadores integrados no están de acuerdo

## RESOLUCIÓN DE PROBLEMAS

Síntoma	Posible causa	Posible solución
La unidad no enciende	<ol style="list-style-type: none"> <li>1. La alimentación está apagada.</li> <li>2. No hay alimentación de 24 V al termostato.</li> <li>3. Mal funcionamiento del termostato.</li> <li>4. El LED parpadea.</li> <li>5. Fusible quemado en el tablero de control.</li> <li>6. Control defectuoso.</li> </ol>	<ol style="list-style-type: none"> <li>1. Encienda el suministro de energía.</li> <li>2. Verifique el transformador de control.               <ol style="list-style-type: none"> <li>a. Si el transformador está fallado, revise el calibre, la longitud y los posibles defectos del cable del termostato.</li> </ol> </li> <li>3. Verifique que los cables solo se conecten a los terminales R y W.               <ol style="list-style-type: none"> <li>a. Verifique/reemplace el termostato.</li> </ol> </li> <li>4. Verifique los códigos de parpadeo del LED ubicados en la calcomanía de la unidad o en la Tabla 11.</li> <li>5. Reemplace el fusible.</li> <li>6. Reemplace la placa de control.</li> </ol>
LED apagado o parpadeando	<ol style="list-style-type: none"> <li>1. Fusible quemado en el tablero de control.</li> <li>2. Múltiples causas.</li> </ol>	<ol style="list-style-type: none"> <li>1. Reemplace el fusible.</li> <li>2. Los códigos de parpadeo del LED de la placa de control varían según el tipo de control. Hay una calcomanía en la unidad y la Tabla 11 brinda una breve descripción de los códigos aplicables para su calefactor.</li> </ol>
La unidad arranca pero no se enciende	<ol style="list-style-type: none"> <li>1. Válvula de gas principal cerrada.</li> <li>2. Aire en la línea del gas.</li> <li>3. Presión de gas principal o del colector.</li> <li>4. Verifique el interruptor de la válvula de gas.</li> </ol>	<ol style="list-style-type: none"> <li>1. Abra la válvula de gas manual.</li> <li>2. Purgue la línea de gas siguiendo las precauciones necesarias.</li> <li>3. Ajuste las presiones de gas según las instrucciones del manual.</li> <li>4. Coloque la perilla del gas en la posición "ON".</li> </ol>
La unidad realiza el ciclo pero los quemadores se apagan en menos de 10 segundos	<ol style="list-style-type: none"> <li>1. Polaridad de alimentación principal invertida.</li> <li>2. Unidad no conectada a tierra.</li> <li>3. Llama no detectada.</li> </ol>	<ol style="list-style-type: none"> <li>1. Cable negro: VIVO, Cable blanco: NEUTRO, Cable verde: TIERRA.</li> <li>2. Conecte a tierra la unidad y verifique la calidad de la conexión a tierra.</li> <li>3. Compruebe la sonda del sensor de llama y su conexión.</li> </ol>
Ventilador de circulación de aire no funciona	<ol style="list-style-type: none"> <li>1. Conexiones flojas.</li> <li>2. Placa de control defectuosa.</li> <li>3. Motor del ventilador defectuoso.</li> </ol>	<ol style="list-style-type: none"> <li>1. Revise todas las conexiones.</li> <li>2. Verifique la hoja de datos y la función del tablero de control.</li> <li>3. Verifique el motor del ventilador.</li> </ol>

## PARTES DE REPARACIÓN

Al ordenar partes, incluya el número completo de modelo de la unidad que aparece en la placa de especificaciones.





## LISTA DE PARTES (VER AL DORSO LA INFORMACIÓN PARA ORDENAR PARTES)

CAPACIDAD DE LA UNIDAD (MBH)			100	125	150	200	250	300	400
CANT. DE TUBOS POR MODELO			4	5	6	7	8	9	12
ART.	DESCRIPCIÓN	PORTE	Parte No. (CANT.*)						
1	Sensor de llama	60366	✓	✓	✓	✓	✓	✓	✓
2	Encendedor de chispa	60375	✓	✓	✓	✓	✓	✓	✓
3	Válvula de gas	60376	✓	✓	✓	✓			
	Válvula de gas	60377					✓	✓	✓
4	Transformador	60387	✓	✓	✓	✓	✓	✓	✓
5	Relé	60388							✓
6	Interruptor de presión	60473	✓	✓					
	Interruptor de presión	60389			✓	✓			
	Interruptor de presión	60390					✓		
	Interruptor de presión	60472						✓	
	Interruptor de presión	60391							✓
7	Módulo de encendido	60392	✓	✓	✓	✓	✓	✓	✓
8	Motor del ventilador	60394	✓	✓					
	Motor del ventilador	60395			✓				
	Motor del ventilador	60396				✓	✓		
	Motor del ventilador	60397						✓	
	Motor del ventilador	60398							✓
9	Soplador de combustión	60421	✓	✓	✓	✓	✓		
	Soplador de combustión	60422						✓	✓
10	Interruptor de límite	60427	✓	✓	✓	✓	✓	✓	✓
11	Panel removible	60435	✓	✓					✓
	Panel removible	60436			✓				
	Panel removible	60437				✓			
	Panel removible	60438					✓		
	Panel removible	60474						✓	
	Panel removible	60475							✓
	Panel removible superior	60439							✓
12	Deflectores de aire	60453	(-7)	(-7)	(-8)				
	Deflectores de aire	60454				(-9)	(-10)	(-11)	(-14)
13	Resorte deflector	60455	(-7)	(-7)	(-8)	(-9)	(-10)	(-11)	(-14)
14	Aspas del ventilador	60410			✓				
	Aspas del ventilador	60411				✓			
	Aspas del ventilador	60412					✓		
	Aspas del ventilador	60413						✓	
	Aspas del ventilador	60414							✓
15	Protector de ventilador	60406			✓				
	Protector de ventilador	60407				✓	✓	✓	
	Protector de ventilador	60408							✓

CAPACIDAD DE LA UNIDAD (MBH)			100	125	150	200	250	300	400
CANT. DE TUBOS POR MODELO			4	5	6	7	8	9	12
ART.	DESCRIPCIÓN	PARTE	Parte No. (CANT.*)						
NS	Interruptor de seguridad	60463	✓	✓					
NS	Mazo de 6 terminales	60464	✓	✓	✓	✓			
	Mazo de 6 terminales	60465					✓	✓	✓
NS	Interruptor de presión (HA), -0.75	60466	✓	✓	✓	✓			
	Interruptor de presión (HA), -0.80	60482	✓	✓	✓	✓			
	Interruptor de presión (HA), -1.10	60467					✓		
	Interruptor de presión (HA), -1.20	60390						✓	
	Interruptor de presión (HA), -1.35	60472							✓
	Interruptor de presión (HA), -1.40	60469							✓
	Interruptor de presión (HA), -1.45	60468							✓
NS	Soportes de montaje de poca separación	60470	(-2)	(-2)					
NS	Fusible, 3A - Módulo de encendido	60478	✓	✓	✓	✓	✓	✓	✓
NS	Anillo de entrada de aire de 4"	60480	✓	✓	✓	✓			
NS	Anillo de entrada de aire de 6"	60490					✓	✓	✓

HA: Juego para gran altitud, consulte la sección "Instalación de propano y gran altitud" sección del manual

NS: No se muestra

(\*): Cantidad de piezas necesarias por modelo

#### Juego de conversión de gas natural a propano líquido

Tamaño del modelo 100/125/150.....F163070  
Tamaño del modelo 200.....F163071  
Tamaño del modelo 250NG.....F163072  
Tamaño del modelo 300/400.....F163073

#### Juego de conversión de propano líquido a gas natural

Tamaño del modelo 100/125/150.....F163074  
Tamaño del modelo 200.....F163075  
Tamaño del modelo 250NG.....F163076  
Tamaño del modelo 300/400.....F163077

**THIS PAGE INTENTIONALLY LEFT BLANK  
ESTA PÁGINA SE DEJÓ INTENCIONALMENTE EN BLANCO  
CETTE PAGE A ÉTÉ INTENTIONNELLEMENT LAISSÉE VIERGE**



# INSTRUCCIONES DE OPERACIÓN Y MANUAL DEL PROPIETARIO

**LEA CUIDADOSAMENTE LAS INSTRUCCIONES: SU SEGURIDAD ES IMPORTANTE PARA USTED Y PARA LOS DEMÁS.** Lea y siga todas las instrucciones. Conserve estas instrucciones en un lugar seguro para futura referencia. No permita que nadie que no haya leído estas instrucciones arme, encienda, ajuste o use el calefactor.

MHU100NGPALP MHU100NGPSSP  
MHU100NGPAL MHU100NGPSS  
MHU125NGPALP MHU125NGPSSP  
MHU125NGPAL MHU125NGPSS  
MHU150NGPALP MHU150NGPSSP  
MHU150NGPAL MHU150NGPSS  
MHU200NGPALP MHU200NGPSSP  
MHU200NGPAL MHU200NGPSS  
MHU250NGPALP MHU250NGPSSP  
MHU250NGPAL MHU250NGPSS  
MHU300NGPALP MHU300NGPSSP  
MHU300NGPAL MHU300NGPSS  
MHU400NGPALP MHU400NGPSSP  
MHU400NGPAL MHU400NGPSS



## WARNING:

USE SOLAMENTE PARTES DE REPUESTO DEL FABRICANTE. EL USO DE CUALQUIER OTRA PARTE PODRÍA CAUSAR HERIDAS O LA MUERTE. LAS PARTES DE REPUESTO ESTÁN DISPONIBLES ÚNICAMENTE EN LA FÁBRICA Y DEBEN SER INSTALADAS POR UNA AGENCIA DE SERVICIO CALIFICADA.

## INFORMACIÓN PARA ORDENAR PARTES:

**COMPRAS:** PUEDE COMPRAR ACCESORIOS EN CUALQUIER DISTRIBUIDOR LOCAL DE MR. HEATER O DIRECTAMENTE DE LA FÁBRICA.

## POR INFORMACIÓN ACERCA DE REPARACIONES:

Por favor llame sin cargo al 800-251-0001 • WWW.MR.HEATER.COM

Nuestro horario de trabajo es de 08:00 AM a 5:00 PM, de lunes a viernes, hora del este.

Por favor, incluya el número de modelo, la fecha de compra y la descripción del problema en todas sus comunicaciones.

## GARANTÍA LIMITADA:

La empresa garantiza que este producto está libre de defectos en el material o la mano de obra, bajo un uso normal y adecuado de acuerdo con las instrucciones de la empresa, por un período de tres años para piezas (limitado a 1 año en ambientes cáusticos o de alta humedad), 10 años para el intercambiador de calor de acero aluminizado (limitado a 5 años cuando se instala en ambientes corrosivos) y 10 años para el intercambiador de calor de acero inoxidable a partir de la fecha de entrega al comprador. La Compañía, según decida, reparará o reemplazará los productos que el comprador devuelva a la fábrica, con los gastos de envío previamente pagados dentro del mencionado período de un año y que la Compañía determine que presentan imperfecciones materiales o de fabricación.

Si alguna de las partes está dañada o si le falta alguna, llame a nuestro Departamento de Asistencia Técnica al 800-251-0001.

Dirija todos los reclamos de garantía al Departamento de servicios, Enerco Group, Inc., 4560 W. 160TH ST., CLEVELAND, OHIO 44135. Incluya su nombre, dirección y número telefónico en su comunicación e incluya los detalles relacionados con el reclamo. Además, infórmenos la fecha de la compra y el nombre y dirección del proveedor de quien adquirió nuestro producto.

Lo anterior describe las responsabilidades de la Compañía en toda su extensión. No hay otras garantías, ni explícitas ni implícitas. Específicamente, no hay garantías acerca de la adecuación para un propósito particular y no hay garantías de comerciabilidad. En ningún caso la Compañía será responsable por demoras causadas por imperfecciones, por daños consecuentes, ni por ningún otro cargo de gastos de ninguna naturaleza realizado sin su consentimiento escrito. El costo de reparación o reemplazo será la única compensación por cualquier incumplimiento de la garantía. No hay garantía ni se derivará garantía implícita alguna del proceso de comercialización ni de las prácticas comerciales comunes. Esta garantía no será válida para productos que hayan sido reparados o alterados fuera de la fábrica en cualquier sentido que a nuestro criterio afecte su estado o funcionamiento.

Algunos estados no permiten la exclusión o limitación de daños incidentales ni consecuentes, así que la limitación o exclusión anterior puede no tener validez en su caso. Esta Garantía le otorga derechos legales específicos, y usted puede tener otros derechos que varían de un estado a otro.

Enerco Group, Inc. se reserva el derecho de hacer cambios en cualquier momento, sin previo aviso, en los colores, especificaciones, accesorios, materiales y modelos.

REGISTRO DEL PRODUCTO: Gracias por su compra.

Ingrese a <http://www.egiregistration.com> para registrar su producto.

Enerco Group, INC., 4560 W. 160TH ST., CLEVELAND, OHIO 44135 • 1-800-251-0001

Mr. Heater es una marca registrada de Enerco Group, Inc.

© 2023, Mr. Heater. Todos los derechos reservados.



**MR HEATER**

# MODE D'EMPLOI ET GUIDE DU PROPRIÉTAIRE

**LISEZ CES INSTRUCTIONS ATTENTIVEMENT : VOTRE SÉCURITÉ, ET CELLE DES AUTRES, EST IMPORTANTE. Lisez et observez toutes les instructions. Conservez les instructions dans un endroit sûr pour pouvoir les consulter plus tard. Ne laissez personne n'ayant pas lu ce mode d'emploi assembler, allumer, ajuster ou faire fonctionner cet appareil.**

## MODÈLES :

MHU100NGPALP	MHU100NGPSSP
MHU100NGPAL	MHU100NGPSS
MHU125NGPALP	MHU125NGPSSP
MHU125NGPAL	MHU125NGPSS
MHU150NGPALP	MHU150NGPSSP
MHU150NGPAL	MHU150NGPSS
MHU200NGPALP	MHU200NGPSSP
MHU200NGPAL	MHU200NGPSS
MHU250NGPALP	MHU250NGPSSP
MHU250NGPAL	MHU250NGPSS
MHU300NGPALP	MHU300NGPSSP
MHU300NGPAL	MHU300NGPSS
MHU400NGPALP	MHU400NGPSSP
MHU400NGPAL	MHU400NGPSS



Ce produit est approuvé pour la vente et l'installation dans les États de la Californie et du Massachusetts.

## APPAREIL DE CHAUFFAGE POUR UN USAGE INDUSTRIEL/COMMERCIAL

### **⚠ AVERTISSEMENT :**

#### **DANGER D'INCENDIE OU D'EXPLOSION**

**Un manquement de suivre précisément les consignes de sécurité peut causer des blessures graves, la mort ou des dommages aux biens.**

**Vous devez lire et comprendre les instructions d'installation, de fonctionnement et d'entretien dans ce manuel.**

**L'installation, l'ajustement, la modification, le service ou l'entretien inadéquats peuvent causer des blessures ou des dommages aux biens.**

Ne rangez ou n'utilisez pas d'essence ou d'autres vapeurs ou liquides inflammables à proximité de cet appareil ou de tout autre appareil.

– SI VOUS SENTEZ DU GAZ :

- NE TENTEZ PAS d'allumer l'appareil.
- NE TOUCHEZ PAS à tout commutateur électrique, n'utilisez aucun téléphone dans votre bâtiment.
- Sortez immédiatement du bâtiment.
- Appelez immédiatement votre fournisseur de gaz à partir d'un téléphone éloigné de votre bâtiment. Suivez les directives de votre fournisseur de gaz.
- Si vous ne réussissez pas à joindre votre fournisseur de gaz, appelez le service des incendies.

– L'installation et le service doivent être faits par un installateur qualifié, une entreprise de service ou le fournisseur de gaz.

**AVERTISSEMENT :** Si vous manquez de suivre précisément l'information présentée dans ces instructions, un incendie ou une explosion pourraient causer des dommages aux biens, des blessures ou même la mort.

### **⚠ AVERTISSEMENT :**

Les appareils de chauffage ne doivent pas être installés dans les endroits contenant des :

- Vapeurs volatiles, explosives ou inflammables (dont l'essence, le diluant à peinture, la peinture à l'huile)
- Produits chimiques volatils, explosifs ou inflammables
- Matériaux volatils, explosifs ou inflammables

Ne pas installer l'appareil près de surfaces et de matériaux inflammables comme le carton ou le papier. Suivez toutes les distances de dégagement indiquées de murs, plafonds, planchers et matériaux combustibles.

### **⚠ AVERTISSEMENT :**

Manquer d'observer les distances de dégagement des matériaux et surfaces combustibles indiquées dans ce manuel pourrait causer des dommages aux biens, des incendies ou la mort.

### **⚠ AVERTISSEMENT :**

Ne pas installer l'appareil de chauffage dans une atmosphère corrosive. Les atmosphères corrosives causent de graves dommages à l'appareil et provoquent un fonctionnement dangereux.

**⚠ AVERTISSEMENT :** CE PRODUIT PEUT VOUS EXPOSER À DES PRODUITS CHIMIQUES, DONT LE MONOXYDE DE CARBONE, CONNU PAR L'ÉTAT DE LA CALIFORNIE COMME POUVANT CAUSER LE CANCER. POUR PLUS D'INFORMATION, RENDEZ-VOUS À WWW.P65WARNINGS.CA.GOV

### **⚠ AVERTISSEMENT :**

N'installez pas les appareils de chauffage dans les structures d'habitation familiale.

Les appareils de chauffage utilitaires peuvent être utilisés pour chauffer les espaces autres que les espaces de vie, comme les garages, qui sont annexés à des structures qui contiennent des espaces d'habitation familiale, qui y sont adjacents ou qui en font partie.

Les appareils de chauffage ne doivent PAS être installés dans les structures attachées à des espaces d'habitation familiale, qui y sont adjacentes ou qui en font partie.

### **⚠ AVERTISSEMENT :**

Métal acéré. Cet appareil de chauffage est fabriqué en tôle et peut comporter des arêtes tranchantes. Utilisez un bon équipement de protection individuelle pour l'installation ou le service.

### **⚠ AVERTISSEMENT :**

Le fait de manquer de fournir une quantité suffisante d'air de combustion peut provoquer la mort ou des blessures en raison du monoxyde de carbone.

### **⚠ AVERTISSEMENT :**

**Suivez ces instructions et la plus récente édition des codes locaux. En l'absence de codes locaux, observez le National Fuel Gas Code NFPA 54/ANSI Z223.1 aux États-Unis ou le CSA B149.1 : 20, Code d'installation du gaz naturel et du propane au Canada.**

## TABLE DES MATIÈRES

CARACTÉRISTIQUES DE L'APPAREIL.....	47
DIMENSIONS DE L'APPAREIL.....	47
INSTRUCTIONS POUR LA RÉCEPTION.....	49
INSTALLATION DE L'APPAREIL.....	49
ÉVACUATION.....	50
INSTALLATION DU GAZ.....	54
INSTALLATION ÉLECTRIQUE.....	55
FONCTIONNEMENT.....	55
INSTALLATION POUR PROPANE ET HAUTES ALTITUDES.....	58
ENTRETIEN.....	60
DÉPANNAGE.....	61
LISTE DES PIÈCES.....	62
GARANTIE.....	68

## LANGUES

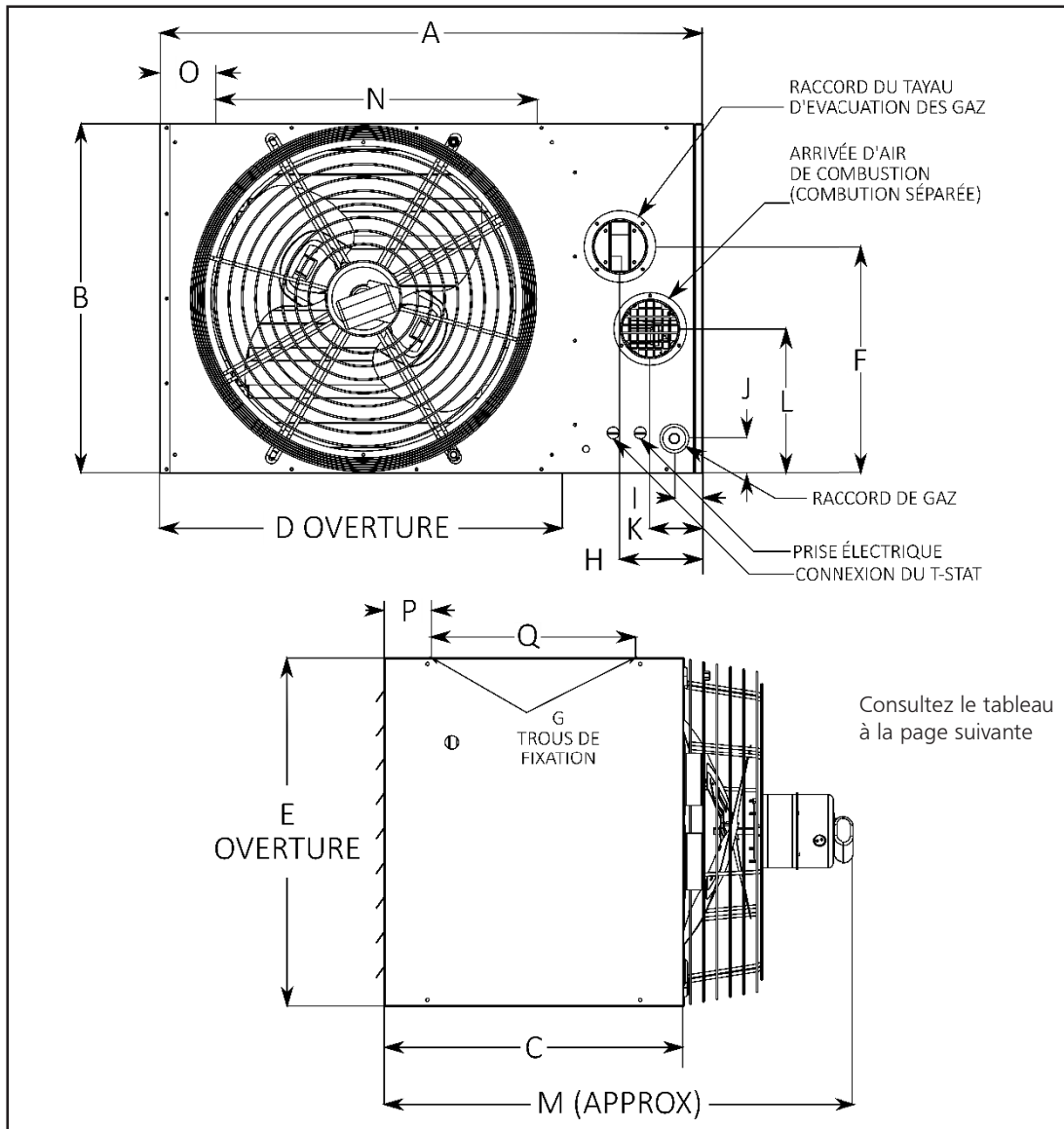
ENGLISH.....	1 à 22
ESPAÑOL.....	23 à 44
FRANÇAIS.....	45 à 68

## CARACTÉRISTIQUES – TABLEAU 1

Taille du Modèle	100	125	150	200	250	300	400
Entrée*	100 000 BTU/h (29,3 kW)	125 000 BTU/h (36,6 kW)	150 000 BTU/h (44 kW)	200 000 BTU/h (58,6 kW)	250 000 BTU/h (73,3 kW)	300 000 BTU/h (87,9 kW)	400 000 BTU/h (117,2 kW)
Sortie*	82 000 BTU (24 kW)	102 500 BTU (30 kW)	123 000 BTU (36 kW)	164 000 BTU (48,1 kW)	205 000 BTU (60,1 kW)	246 000 BTU (72,1 kW)	328 000 BTU (96,1 kW)
% rendement thermique	82 %	82 %	82 %	82 %	82 %	82 %	82 %
V/A/H/Phase	115/5/1	115/5/1	115/5/1	115/7/1	115/7/1	115/10/1	115/12/1
Puissance du moteur (ch)	1/8	1/8	1/6	1/3	1/3	1/2	3/4
Vitesse du moteur (tours/m)	1 440	1 440	1 050	1 140	1 140	1 130	1 125
Poids approx. d'expédition	152 lb. (69 kg)	159 lb. (72 kg)	161 lb. (73 kg)	208 lb. (94 kg)	224 lb. (102 kg)	249 lb. (113 kg)	302 lb. (137 kg)

\* Les valeurs nominales sont pour des élévations jusqu'à 2 000 pi (610 m). Pour les élévations supérieures à 2 000 pi (610 m), consultez « INSTALLATION – HAUTE ALTITUDE »

## DIMENSIONS DE L'APPAREIL – FIGURE 1



## DIMENSIONS DE L'APPAREIL EN POUCES (mm) TABLEAU 2

Taille du Modèle	100	125	150	200	250	300	400
A	36,0 po (914 mm)	36,0 po (914 mm)	33,2 po (843 mm)	40,4 po (1026 mm)	40,4 po (1026 mm)	40,4 po (1026 mm)	40,4 po (1026 mm)
B	20,7 po (526 mm)	20,7 po (526 mm)	23,1 po (587 mm)	25,8 po (655 mm)	28,5 po (724 mm)	31,5 po (800 mm)	39,8 po (1012 mm)
C	22,4 po (570 mm)	22,4 po (570 mm)	22,1 po (562 mm)	22,1 po (562 mm)	22,1 po (562 mm)	22,1 po (562 mm)	22,1 po (562 mm)
D	22,6 po (573 mm)	22,6 po (573 mm)	22,6 po (573 mm)	29,4 po (748 mm)	29,4 po (748 mm)	29,4 po (748 mm)	29,4 po (748 mm)
E	18,5 po (469 mm)	18,5 po (469 mm)	21,2 po (538 mm)	23,9 po (607 mm)	26,6 po (677 mm)	29,4 po (747 mm)	37,7 po (960 mm)
F	14,4 po (366 mm)	14,2 po (360 mm)	15,1 po (384 mm)	16,8 po (426 mm)	18,1 po (459 mm)	19,7 po (500 mm)	23,6 po (600 mm)
G (Trou de montage)*	Se reporter aux figures 1A et 1B		3/8 - 16	3/8 - 16	3/8 - 16	3/8 - 16	3/8 - 16
H	8,9 po (226 mm)	8,9 po (226 mm)	6,2 po (158 mm)	6,3 po (159 mm)	6,3 po (159 mm)	6,3 po (159 mm)	6,3 po (159 mm)
I	4,8 po (122 mm)	4,8 po (122 mm)	4,8 po (121 mm)	2,2 po (55 mm)	2,2 po (55 mm)	2,1 po (53 mm)	2,3 po (58 mm)
J	7,3 po (187 mm)	6,2 po (158 mm)	2,7 po (69 mm)	2,7 po (69 mm)	2,7 po (69 mm)	2,7 po (69 mm)	2,7 po (69 mm)
K	4,0 po (101 mm)	4,2 po (107 mm)	4,5 po (115 mm)	4,0 po (103 mm)	5,3 po (134 mm)	5,0 po (126 mm)	4,8 po (121 mm)
L	11,3 po (287 mm)	10,6 po (269 mm)	9,4 po (239 mm)	10,8 po (275 mm)	10,2 po (258 mm)	12,1 po (309 mm)	15,2 po (385 mm)
M	32,0 po (813 mm)	32,0 po (813 mm)	32,7 po (830 mm)	34,6 po (879 mm)	34,9 po (885 mm)	35,6 po (904 mm)	36,1 po (917 mm)
N (Trou de montage)	N/A	N/A	16,6 po (422 mm)	23,5 po (598 mm)	23,5 po (598 mm)	23,5 po (598 mm)	23,5 po (598 mm)
O (Trou de montage)	N/A	N/A	6,2 po (159 mm)	6,2 po (159 mm)	6,2 po (159 mm)	6,2 po (159 mm)	6,2 po (159 mm)
P	3,7 po (95 mm)	3,7 po (95 mm)	3,7 po (95 mm)	3,5 po (89 mm)	3,5 po (89 mm)	3,5 po (89 mm)	3,5 po (89 mm)
Q	15 po (380 mm)	15 po (380 mm)	14,9 po (380 mm)	14,9 po (380 mm)	14,9 po (380 mm)	14,9 po (380 mm)	14,9 po (380 mm)
Raccord du gaz	1/2 po	1/2 po	1/2 po	1/2 po	3/4 po	3/4 po	3/4 po
Dimension du raccord d'évent	4 po (102 mm)	4 po (102 mm)	4 po (102 mm)	4 po (102 mm)	6 po (152 mm)	6 po (152 mm)	6 po (152 mm)
Diamètre du ventilateur	18 po (457 mm)	18 po (457 mm)	20 po (508 mm)	22 po (559 mm)	22 po (559 mm)	22 po (559 mm)	24 po (610 mm)

\* La liste est le diamètre du trou et les filets par pouce pour accepter la tige filetée.

### LISTE DE VÉRIFICATION POUR LE DÉMARRAGE ET LE RENDEMENT

Client : _____	Date : _____	Nom/numéro de la tâche : _____
Numéro de modèle de l'appareil : _____	Numéro de série : _____	Pression d'entrée du gaz : _____
Type de gaz : _____	Entrée nominale : _____	Pression sortie gaz/collecteur : _____

- Un terminal homologué est-il installé sur le tuyau de ventilation et sur la terminaison du tuyau d'entrée d'air?
- Le système d'évacuation et le système d'entrée d'air ont-ils été inspectés et a-t-il été déterminé qu'ils fonctionnent correctement?
- L'installation de l'appareil de chauffage, du gaz et électrique a-t-elle été inspectée par l'autorité locale responsable d'approuver l'installation?
- La structure supportant l'appareil de chauffage et la méthode utilisée pour fixer l'appareil sur la structure sont-elles appropriées et sécuritaires?
- Les conduites d'approvisionnement en gaz ont-elles fait l'objet d'une vérification des fuites?
- La tension a-t-elle été vérifiée pour confirmer qu'elle tombe bien dans la plage acceptable?
- La « procédure de fonctionnement » dans le manuel a-t-elle été suivie pour mettre l'appareil en marche?
- Tous les ventilateurs et moteurs tournent-ils librement?
- Pour les installations de propane, l'étiquette de conversion a-t-elle été remplie et apposée sur l'appareil près de la plaque signalétique?
- Pour les installations à plus de 2 000 pi (610 m), l'étiquette de haute altitude a-t-elle été remplie et apposée sur l'appareil près de la plaque signalétique?
- Tous les câbles et fils sont-ils bien serrés, les joints sont-ils en place et tous les obturateurs/capuchons sont-ils en place?
- Les lames d'air sont-elles ouvertes et le panneau d'accès a-t-il été remis en place?



## INSTRUCTIONS POUR LA RÉCEPTION

- Avant de signer le formulaire de connaissance :
  - Confirmez que l'information sur le connaissance concorde avec ce qui a été reçu, dont le nombre d'appareils de chauffage.
  - Retirez tout matériel d'emballage et inspectez l'appareil à l'affût de dommages.
- En cas de dommage ou de divergence avec le connaissance, le destinataire doit signer le connaissance en dressant une liste de tous les dommages ou de toutes les divergences.
- Prenez des photos des dommages en présence du livreur.
- Si vous ne constatez pas de dommages, signez le connaissance.
- Confirmez que le numéro de modèle de l'appareil de chauffage correspond au modèle que vous avez commandé.

## INSTALLATION DE L'APPAREIL DE CHAUFFAGE

- Lisez le manuel d'installation et de service au complet avant de commencer l'installation.
- Conservez le guide d'entretien et d'installation, et autres documents pertinents, pour pouvoir y revenir plus tard.
- L'installation doit se conformer à ce qui suit :
  - Tous les codes locaux, dont les codes du bâtiment, de plomberie, de l'électricité et des eaux usées;
  - En l'absence de codes du bâtiment locaux, reportez-vous à :
    - Aux États-Unis – *The National Fuel Gas Code, NFPA 54/ANSI Z223.1*
    - Au Canada – Code d'installation du gaz naturel et du propane, CSA B149.1
  - Codes nationaux, comme OSHA aux États-Unis.
  - Dans ce manuel, les codes applicables ci-dessous sont appelés les « codes locaux/nationaux ».
- L'installation et le service doivent être faits par une agence qualifiée d'installation et de service, comme le définit NFPA 54, ou, au Canada par un monteur d'installation au gaz autorisé.
- Ne fixez pas l'appareil aux conduites d'air ou aux filtres à air. Ne placez pas l'appareil en aval d'appareils de refroidissement/réfrigération, de purificateurs d'air ou de refroidisseurs par évaporation.
- Cet appareil est homologué avec les commandes qui sont fournies avec lui. Commandez vos pièces de rechange en consultant la liste des pièces de rechange. Le fabricant se réserve le droit de substituer d'autres dispositifs de commande autorisés comme rechange.
- N'ajustez ou ne modifiez pas les pales du ventilateur ou la vitesse de fonctionnement du moteur.
- L'appareil de chauffage doit être installé de façon à maintenir des températures ambiantes normales. Les températures de fonctionnement sous 50 F (10 C) peuvent causer la formation de condensation dans le système d'échangeur de chaleur, ce qui pourrait entraîner une défaillance prématurée de l'appareil et un fonctionnement peu sécuritaire. Des thermostats avec une température de fonctionnement minimale de 50 F (10 C) doivent être installés.
- Les brûleurs ne peuvent pas fonctionner à des températures supérieures à 90 F (32 C). L'utilisation de brûleurs à une température supérieure à 90 F (32 C) peut provoquer une défaillance de l'appareil et des composants électriques et donner lieu à un fonctionnement dangereux. Pour utiliser la soufflante pour la circulation d'air seulement, votre thermostat doit être muni d'une position « ventilateur seulement » ou d'un réglage de sélection du ventilateur. Dans le cas où votre thermostat comporte cette option, un fil additionnel doit être acheminé à la borne « G » sur le bornier du thermostat. Voir le schéma de câblage en page 52.

- Ne pas installer l'appareil de chauffage à l'extérieur. Évitez les jets d'eau et les gouttes d'eau sur l'appareil.
- Les environnements à forte humidité et à forte teneur en sel peuvent endommager l'appareil et réduire sa durée de vie, ce qui donne lieu à un fonctionnement dangereux.
- Vérifiez que l'appareil peut être ventilé à l'extérieur en toute sécurité, conformément à ces instructions et aux codes locaux/nationaux.
- N'installez pas les appareils dans des endroits où les produits de combustion peuvent être aspirés dans les ouvertures des bâtiments adjacents, comme les fenêtres, les prises d'air frais et les portes.
- Respectez les dégagements/distances minimaux par rapport aux matériaux combustibles et les dégagements de service recommandés indiqués à la Figure 2 et au Tableau 3.
- Tous les appareils et toutes les machines génèrent du bruit. Cet appareil de chauffage génère des bruits et des vibrations provenant du ventilateur, des moteurs et des processus de combustion. Ce bruit pourrait être considéré comme une nuisance à proximité de zones calmes telles que des bureaux.
- Les appareils de chauffage doivent être installés à au moins 18 po (46 cm) au-dessus du sol dans les garages.
- L'appareil doit être installé de manière à ce que l'air puisse circuler librement vers toutes les ouvertures d'air de l'appareil. Cela comprend l'air de combustion et l'air pour le ventilateur.

**TABLEAU 3**  
**Distance de dégagement des surfaces et matériaux combustibles, et accès**

Côté de l'appareil	100-125	150-400	Dégagement pour le service (suggéré)
Haut et bas	1 po 2,54 cm	6 po 15,24 cm	18 po 45,72 cm
Côté d'accès	1 po 2,54 cm	6 po 15,24 cm	18 po 45,72 cm
Côté sans accès	1 po 2,54 cm	1 po 2,54 cm	18 po 45,72 cm
Arrière	18 po 45,72 cm	18 po 45,72 cm	18 po 45,72 cm

**TABLEAU 4**  
**Hauteurs d'installation Maximales (entre le bas de l'unité et le sol)**

Taille du modèle	Hauteur d'installation Maximale
100	12'
125	14'
150	14'
200	16'
250	18'
300	18'
400	20'

**IMPORTANT : Les conditions environnementales et les installations varient. Ainsi, ces hauteurs pourraient avoir à être ajustées selon les codes, les conditions environnementales et les variations liées à l'installation.**

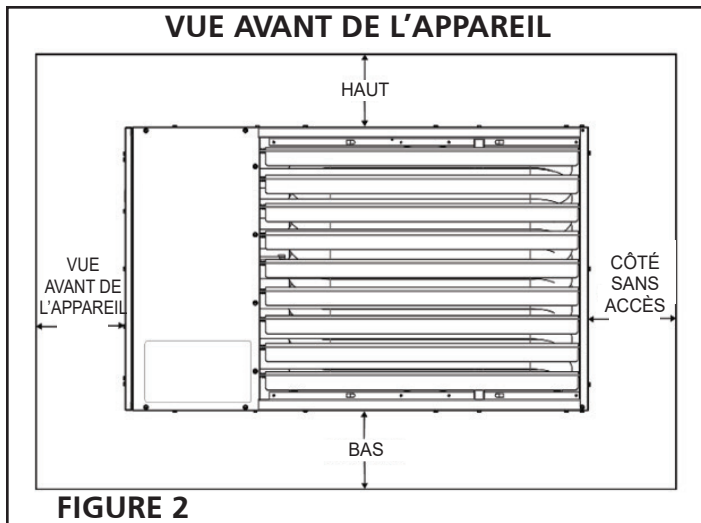


FIGURE 2

18. Pour les installations dans les hangars d'avions, les stationnements et les garages de réparation, se reporter aux normes suivantes :
  - Norme ANSI/NFPA 409 pour les hangars d'aéronefs
  - Norme ANSI/NFPA 88A pour les garages de stationnement
  - Norme ANSI/NFPA 88B pour les garages de réparation
  - CSA B149.1 Code d'installation du gaz naturel et du propane
19. Pour éviter d'endommager l'appareil, soutenez complètement le bas de celui-ci avec du bois, la palette d'expédition ou tout autre matériau approprié lorsque vous utilisez des machines ou des chariots élévateurs pour soulever l'appareil en position.
20. L'appareil doit être suspendu par le haut et ne doit pas être installé sur une surface combustible (bois, cloison sèche, plastique). Sur les modèles 100 à 400, il y a quatre orifices de montage sur le dessus pour une tige filetée de 3/8 po 16. Des écrous de blocage et des rondelles doivent être utilisés pour bloquer fermement la tige filetée dans les orifices de montage de l'appareil de chauffage.
21. La tige filetée doit être enfilée à fond dans le trou fileté situé sur le dessus de l'appareil jusqu'à ce que la tige soit visible à l'intérieur de l'appareil. Habituellement, elle nécessite un minimum de 6 tours.
22. La structure qui supporte l'appareil doit être de force suffisante pour supporter le poids de l'appareil sans se déformer ou s'endommager. Consultez le Tableau 1 pour les poids unitaires.
23. Pour un bon fonctionnement, l'appareil doit être installé dans une position horizontale de niveau.
24. Si l'appareil est monté trop haut, l'air chaud risque de ne pas atteindre la zone de travail. Montez l'appareil aussi bas que possible en tenant compte des codes locaux/nationaux. Tenez compte des dégagements pour les équipements (tels que les chariots élévateurs) et des autres directives de ce manuel pour la distance/le dégagement minimum par rapport au sol, aux matériaux ou au personnel.

#### Montage à faible dégagement en option pour MHU100 et MHU125

25. Les supports de montage à faible dégagement en option, pièce 60470 dans la Figure 2A, peuvent être utilisés pour monter le radiateur directement au plafond. N'UTILISEZ CES SUPPORTS QUE SUR LES MODÈLES 100 ET 125.
26. Retirez les vis n° 10 comme indiqué à la Figure 3A. CONSERVEZ CES VIS. Il y en a 3 à l'avant et 4 à l'arrière.
27. Placez les supports de montage à faible dégagement sur l'appareil de chauffage comme indiqué dans la Figure 2A.
28. Utilisez les vis retirées lors des étapes précédentes pour fixer les supports de montage à faible dégagement à l'appareil de chauffage. Ne serrez pas trop les vis, car vous risqueriez d'endommager les orifices.

29. Cela vous permettra d'obtenir le dégagement de 1 po (2,54 cm) requis par rapport au plafond pour l'100 & 125.
30. À l'aide d'attaches de taille appropriée (écrous et boulons pour l'acier ou tire-fond pour le bois), fixez le radiateur au plafond. Des fixations de 3/8 po de diamètre sont recommandées pour la plupart des applications.
31. Fixez l'appareil à des supports structurels en mesure de supporter le poids de l'appareil (tableau 1) et avec les espacements indiqués à la Figure 2B.

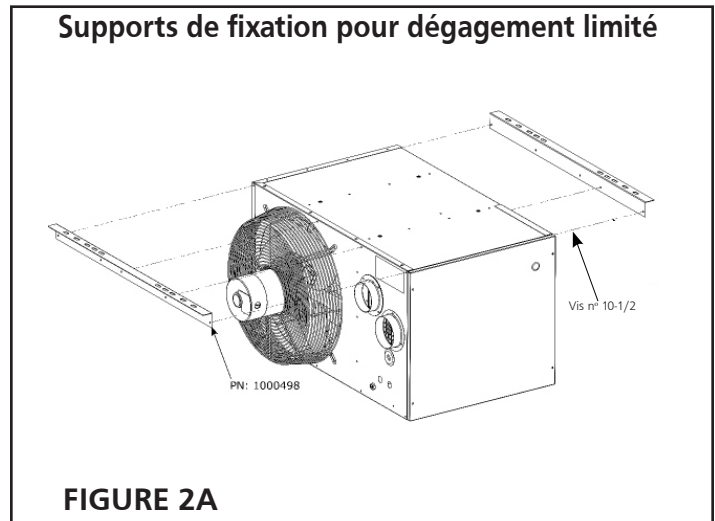


FIGURE 2A

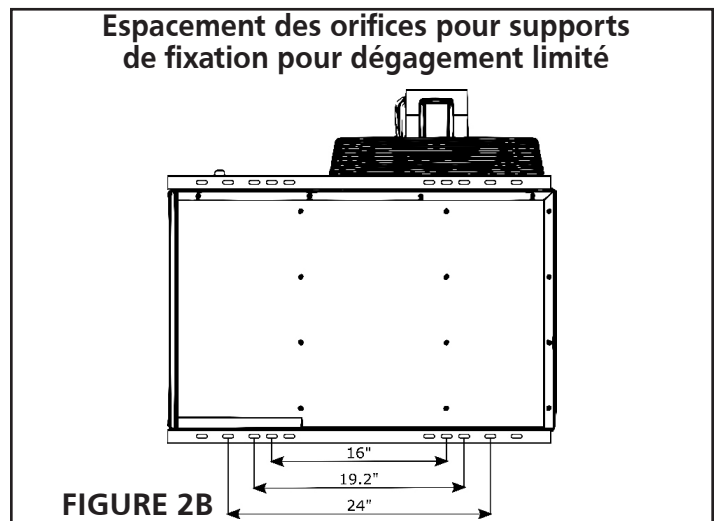


FIGURE 2B

## ÉVACUATION

**⚠ AVERTISSEMENT :** Si un appareil de chauffage existant est remplacé, il pourrait être nécessaire de redimensionner les systèmes de ventilation. Les systèmes de ventilation mal dimensionnés peuvent provoquer la mort ou des blessures.

**⚠ AVERTISSEMENT :** Si le tuyau d'entrée d'air en option est utilisé, il doit être situé dans le même plan que le tuyau de ventilation à l'extérieur du bâtiment. Un tuyau de ventilation et d'entrée d'air non situé dans le même plan (toit ou mur) peut provoquer des blessures ou la mort.

**⚠ AVERTISSEMENT :**

**Cet appareil de chauffage doit être ventilé vers l'extérieur.  
Cet appareil doit disposer de l'air nécessaire à la combustion  
Le fait de ne pas respecter ces instructions peut entraîner la  
mort ou des blessures.**

**Observez ces instructions, les codes locaux, ou, en l'absence de  
codes locaux, la plus récente édition du National Fuel Gas Code,  
NFPA 54/ANSI Z223.1 aux États-Unis ou le Code d'installation du  
gaz naturel et du propane CSA B149.1 au Canada.**

1. Si l'appareil en cours d'installation remplace un équipement existant et utilise le système d'évacuation existant de cet équipement, vérifiez que le système d'évacuation est de taille appropriée et que l'inclinaison horizontale est conforme aux codes locaux/nationaux et à ces instructions. Confirmez l'absence de blocages, restrictions, fuites, corrosion ou autres déficiences pouvant présenter des dangers.
2. Reportez-vous à la section « FONCTIONNEMENT » de ce manuel pour vérifier que les systèmes de ventilation existants sont adéquats pour le nouvel appareil. Si le système de ventilation n'est pas correctement dimensionné, du monoxyde de carbone peut s'infiltrer dans le bâtiment et de la condensation peut se former et endommager le système de ventilation.
3. Cet appareil de chauffage peut être installé avec deux systèmes de ventilation différents selon le modèle d'appareil de chauffage (voir le numéro de modèle sur l'appareil de chauffage).
  - a. Power Vent: Tuyau d'évacuation de sortie d'air (tuyau d'évacuation) et utilisation de l'air de la pièce pour la combustion.
  - b. Combustion séparée: Tuyau de ventilation et utilisation du tuyau d'entrée d'air (tuyau d'entrée) pour l'air de combustion de l'extérieur, ce qui est recommandé. L'utilisation de l'air extérieur pour la combustion peut améliorer la durée de vie de l'échangeur de chaleur.
4. L'appareil de chauffage est équipé d'un adaptateur d'évent pour connecter le tuyau d'aération et les appareils de chauffage à combustion séparés ont un adaptateur de tuyau d'air d'entrée pour connecter le tuyau d'air d'entrée. Voir la Figure 3 et le Tableau 5 à la page suivante. Utilisez un tuyau d'entrée et un tuyau de ventilation de même taille que le connecteur, sauf indication contraire dans les codes locaux/nationaux.
5. N'utilisez jamais un tuyau d'évent ou un tuyau d'entrée plus petit que les adaptateurs de l'appareil.
6. Ne bloquez jamais les ouvertures d'air.
7. L'appareil peut être ventilé à la verticale comme un appareil de catégorie I, ou à l'horizontale comme un appareil de catégorie III. Un appareil de catégorie I a une pression négative dans le tuyau d'évacuation. Un appareil de catégorie III a une pression positive dans le tuyau d'évacuation.

**TABLEAU 5**  
**Connecteurs et terminaux d'évent et d'air**

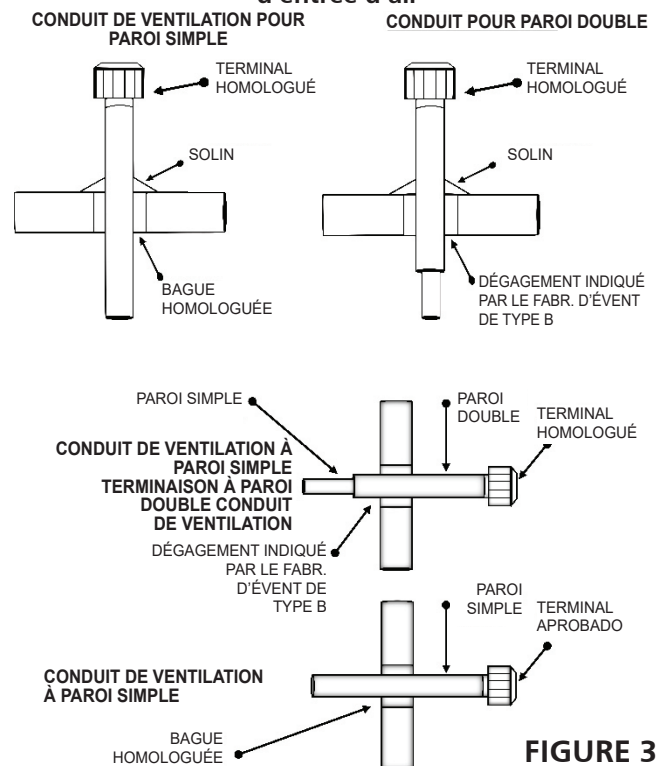
Taille du modèle	Connecteur d'évent/d'entrée	Terminaux d'évent/d'entrée
100-200	4 po	Terminaison homologuée de 4 po
250-400	6 po	Terminaison homologuée de 6 po

8. Le tuyau d'évent à paroi simple doit être à 6 po (15,2 cm) ou plus des matériaux combustibles. Augmentez la distance par rapport aux matériaux qui peuvent être endommagés par des températures accrues.
9. N'utilisez pas de PVC ou de plastique pour une quelconque partie du tuyau d'évacuation. Consultez NFPA54/ANSI Z223.1 pour le matériel approprié.
10. Fixez le tuyau d'évent et le tuyau d'entrée à l'appareil de chauffage à l'aide de 3 vis à tête n° 8 résistantes à la corrosion.
11. Le tuyau d'évacuation à paroi simple ne doit pas traverser un grenier inoccupé, un mur intérieur, un espace caché ou un plancher.
12. Lors de l'installation du tuyau d'évent à travers des murs (intérieurs ou extérieurs) et des planchers combustibles, utilisez les bagues indiquées.

Appareil de chauffage compact

13. N'utilisez pas de volets d'aération ou tout autre dispositif de restriction dans une quelconque partie du tuyau d'aération ou du tuyau d'admission.
14. Tous les appareils de chauffage sont équipés d'un pressostat. Le pressostat, ainsi que des inspections visuelles, peuvent déterminer si le système de ventilation et l'échangeur de chaleur sont bloqués. Ne modifiez ou ne retirez pas le pressostat. Si le pressostat ne fonctionne pas, contactez un technicien qualifié.
15. N'évacuez pas l'appareil dans des cheminées en maçonnerie.
16. N'utilisez pas le conduit en commun avec d'autres appareils. Le système de tuyaux d'évacuation et d'admission ne doit pas être fixé à d'autres appareils.
17. Les produits de combustion qui sortent du tuyau d'évacuation sont chauds et contiennent de l'humidité. Protégez les surfaces et les matériaux des bâtiments extérieurs contre la dégradation due à la chaleur et à l'humidité. Cela inclut les revêtements en vinyle.
18. Consultez le Tableau 6 pour voir les distances de terminaison des tuyaux d'évent.
19. Ne terminez pas le tuyau d'évent au-dessus des allées publiques.
20. Le tuyau d'entrée peut être constitué de tout matériau approprié qui ne s'affaisse pas, ne se plie pas et ne se déforme pas, et qui est étanche à l'air et lisse à l'intérieur. Le diamètre intérieur du tuyau d'entrée doit être égal ou supérieur au diamètre extérieur du connecteur du tuyau d'entrée sur l'appareil. Il est recommandé d'utiliser un tuyau à paroi simple galvanisé d'une épaisseur appropriée.
21. Les raccords des tuyaux d'entrée doivent être étanches à l'air. Les raccords peuvent être faits avec n'importe quel matériau adapté à l'environnement de l'installation et au tuyau utilisé. Cela inclut le ruban adhésif pour conduits, le ruban d'aluminium et le calfeutrage.
22. Si vous installez le tuyau d'entrée d'air en combustion séparée, il doit se terminer dans la même zone et le même plan (vertical ou horizontal) que le tuyau de ventilation. Si le tuyau d'évent se termine verticalement, le tuyau d'entrée doit être installé verticalement. Si le tuyau d'évent se termine horizontalement, le tuyau d'entrée doit être installé horizontalement.
23. Le tuyau d'entrée d'air pourrait avoir à être isolé pour le protéger de la condensation qui peut se former lorsque l'air froid extérieur circule dans le tuyau jusqu'à l'appareil de chauffage.

**Raccord de conduit de ventilation et raccord de conduit d'entrée d'air**



**FIGURE 3**

**TABEAU 6**

**Distance et dégagement pour les terminaux de ventilation  
(Pour référence uniquement. Vous reporter à la dernière édition  
des codes locaux/nationaux pour les distances actualisées.)**

Structure	Distance minimum/ dégagement pour l'emplacement des terminaux de ventilation
Entrée d'air	3 pi (0,91 m) au-dessus ou 10 pi (3 m) horizontalement
Porte, fenêtre, entrée d'air par gravité ou toute autre ouverture du bâtiment	4 pi (1,22 m) horizontalement ou sous 1 pi (0,3 m) au-dessus de tout
Compteur électrique, compteur de gaz, régulateur de gaz et équipement de secours à la surpression	États-Unis : 4 pi (1,22 m) horizontalement Canada : 6 pi (1,83 m) horizontalement
Allées publiques adjacentes	2,13 m (7 pi) dans toutes les directions
Niveau du sol	1 pi (0,3 m) au-dessus de tout
Ligne de neige	1 pi (0,3 m) au-dessus (tenir compte des accumulations)

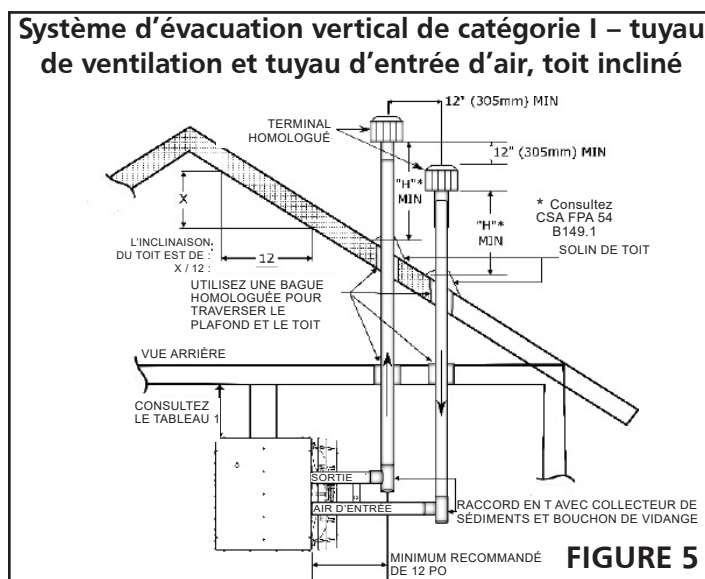
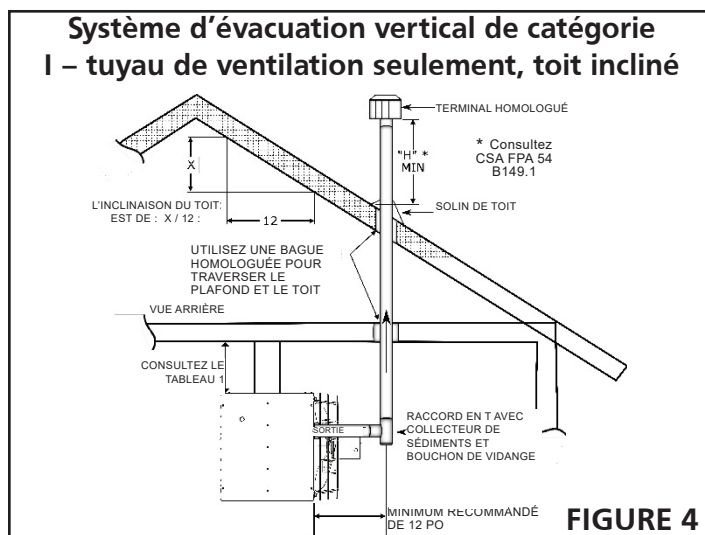
**VENTILATION VERTICALE**

**⚠️ AVERTISSEMENT :** Pour l'évacuation de catégorie I (verticale), si la longueur horizontale du tuyau d'évacuation dépasse la longueur horizontale autorisée par la dernière édition des codes locaux ou, en l'absence de codes locaux, par la dernière édition du *National Fuel Gas Code, NFPA 54/ANSI Z223.1* aux États-Unis ou du *Code d'installation du gaz naturel et du propane CSA B149.1* au Canada, l'appareil doit être installé comme un appareil à évacuation horizontale de catégorie III, tel que décrit dans la section « Évacuation horizontale » de ce manuel.

- Tuyau d'évent vertical de catégorie I, se reporter aux codes locaux/nationaux pour :
  - Taille, matériau et épaisseur du tuyau de ventilation
  - Exigences relatives aux tuyaux de ventilation à paroi simple
  - Exigences relatives aux tuyaux de ventilation à double paroi
- Longueur horizontale maximale permise du tuyau d'évent dans le système
- Distance par rapport aux lignes de toit pour différentes inclinaisons de toit.
- Distances par rapport à d'autres bâtiments, structures ou murs.
- Les raccords de ventilation servant les appareils de Catégorie I ne doivent pas être reliés à toute partie d'un système d'air mécanique fonctionnant sous pression positive.
- Reportez-vous aux Figures 4, 5, 6 et 7 pour les recommandations relatives à la ventilation verticale.
- Le tuyau d'évent doit être muni d'un terminal/capuchon d'évent homologué qui y est solidement fixé. La taille du terminal requis est indiquée dans le Tableau 5.
- Le tuyau d'air d'entrée utilisé sur les modèles de combustion séparés doit avoir une borne / bouchon d'aération répertorié. La taille du terminal requis est indiquée dans le Tableau 5.
- Le tuyau d'évent doit avoir une hauteur minimale de 5 pieds verticaux. Cela signifie qu'il doit y avoir un minimum de 5 pi de tuyau d'évent vertical entre l'appareil et le chapeau d'évent homologué. Se reporter aux codes locaux/nationaux pour connaître la longueur horizontale maximale d'un système d'évacuation verticale.
- Le chapeau de l'évent doit se trouver au moins 12 po au-dessus de la charge de neige maximale. Tenez compte des accumulations de neige qui peuvent se former.
- La chaleur des produits de combustion de l'appareil de chauffage peut endommager

les matériaux des toits en pente ou plats. Vérifiez la température nominale du matériau du toit et confirmez que les produits de combustion chauds provenant du tuyau d'évacuation ne causeront pas de dommages au matériau du toit.

- Lors de l'installation verticale d'un système à deux tuyaux (Combustion séparée avec tuyau d'aération et tuyau d'entrée), les deux tuyaux doivent se terminer verticalement et les deux tuyaux doivent se trouver dans la même zone générale.
- Le tuyau d'évent et le tuyau d'entrée doivent tous deux être munis d'un té et d'un collecteur de sédiments avec un bouchon de nettoyage pour éliminer les débris qui pourraient s'introduire dans les tuyaux.
- Les couches séparées des tuyaux d'entrée d'air de combustion doivent être étanches à l'air, de sorte que tout l'air provient de l'extérieur. Le tuyau d'entrée peut être scellé avec un matériau adapté à l'environnement dans lequel le tuyau d'entrée est installé. Les matériaux possibles sont le ruban adhésif pour conduits, le calfeutrage ou le mastic silicone.
- De la condensation peut se former lorsque l'air froid se déplace dans le tuyau d'entrée. Protégez les équipements et les matériaux contre les gouttes de condensation. Il peut être nécessaire d'envelopper le tuyau d'entrée dans un isolant pour éviter la condensation.
- Le tuyau d'évent doit se terminer à au moins 12 po (30,5 cm) au-dessus et 12 po (30,5 cm) horizontalement du tuyau d'entrée d'air sur les appareils de chauffage à combustion séparés.
- Reportez-vous aux Figures 4 à 7, au Tableau 6 et aux codes locaux/nationaux pour connaître les distances de dégagement par rapport aux bâtiments, murs, toits en pente et autres objets.



## Système d'évacuation vertical de catégorie I – tuyau de ventilation seulement

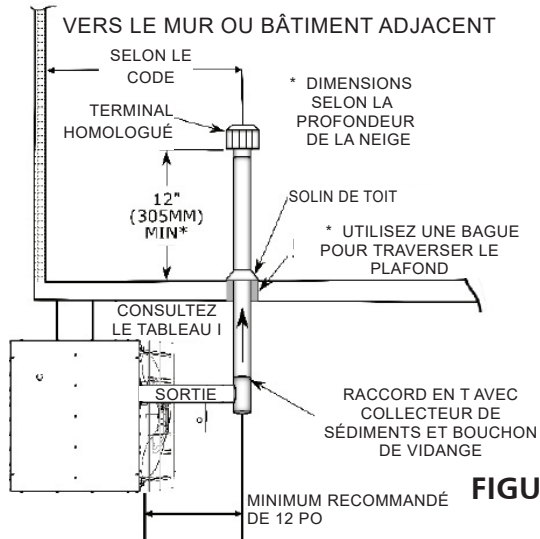


FIGURE 6

## Système d'évacuation vertical de catégorie I – tuyau de ventilation et tuyau d'entrée d'air, toit plat

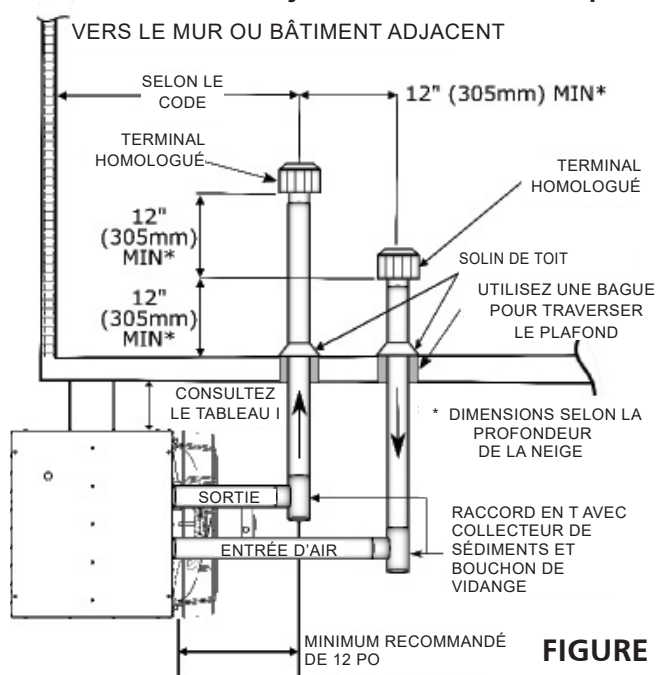


FIGURE 7

- La ventilation horizontale est de catégorie III. Le tuyau d'évent de catégorie III a une pression positive à l'intérieur du tuyau. Si le tuyau d'évent de catégorie III n'est pas utilisé et installé conformément aux instructions du fabricant de la catégorie III, du monoxyde de carbone peut s'infiltrer dans le bâtiment.
- Les radiateurs commerciaux/industriels à évacuation horizontale de catégorie III doivent être évacués avec un système d'évacuation certifié par une agence (UL 1738) de catégorie III, et là où cela est permis par le code, scellé adéquatement en acier galvanisé de calibre 26 ou supérieur.
- Ne fixez pas le tuyau d'évent ou le tuyau d'entrée à d'autres appareils ou systèmes d'évent. Cet appareil doit avoir un tuyau d'évent et un tuyau d'entrée dédiés.
- Ne mélangez pas différentes marques et différents types de tuyaux d'évent de catégorie III.
- Reportez-vous au Tableau 6 pour connaître les longueurs totales minimales et maximales des événements.
- La longueur équivalente d'un coude à 90° est de 5 pi (1,5 m) pour un diamètre de 4 po (10,2 cm) et de 7 pi (2,1 m) pour un diamètre de 6 po (15,2 cm).
- Reportez-vous aux Figures 8 et 9 pour les exigences relatives à la ventilation horizontale.
- Les sections horizontales du tuyau d'évent doivent être installées avec une pente descendante minimale depuis l'appareil de pouce par pied 6,35 mm par 30,5 cm. Si le code local le permet, une pente ascendante de pouce par pied peut être installée.
- Soutenez solidement les tuyaux horizontaux de ventilation et d'entrée d'air tous les 3 pi (0,91 m) avec un cerclage en acier ou un autre matériau capable de résister à la température, de la rigidité requise.
- Maintenez un dégagement de 6 po (15,2 cm) entre le tuyau d'évacuation et les surfaces ou matériaux combustibles. Des distances plus importantes peuvent être nécessaires si les surfaces ou les matériaux peuvent être endommagés par la chaleur élevée.
- Un té avec un collecteur de sédiments, un bouchon et une évacuation des condensats doivent être installés au point le plus bas du tuyau d'évacuation avant la sortie de la structure/du bâtiment.
- Le tuyau d'évent et le tuyau d'entrée doivent (modèles de combustion séparés) se terminer par un terminal/capuchon d'évent homologué dont la taille est indiquée dans le Tableau 5.
- Le tuyau d'évent doit dépasser de 20 po (50,8 cm) la surface extérieure d'un mur extérieur, ou plus s'il y a un risque de dommages causés par la chaleur aux matériaux de construction.
- Le tuyau d'entrée d'air doit dépasser de 4 po (30,5 cm) la surface extérieure du mur extérieur.
- Ne terminez pas le système de ventilation au-dessus d'un passage piétonnier public ou au-dessus d'une aire où la condensation ou la vapeur pourraient créer une nuisance ou un danger ou pourraient nuire au fonctionnement de régulateurs, des ouvertures de tirage ou d'autres équipements.
- Le tuyau d'évent et le tuyau d'entrée (modèles de combustion séparés) doivent être installés à 12 po (30,5 cm) au-dessus de la ligne de neige. Tenez compte des accumulations de neige.
- Le tuyau d'entrée d'air doit être espacé d'au moins 12 po (30,5 cm) du tuyau d'évacuation et de 4 po (10,2 cm) du mur extérieur.

## VENTILATION HORIZONTALE

**⚠ AVERTISSEMENT: Un conduit d'évent adéquat est requis!**  
Le non-respect de ces consignes peut causer un décès, des blessures graves, et des dommages à la propriété.  
Ne jamais utiliser un conduit d'un diamètre différent de celui qui est spécifié!  
Ne jamais utiliser un conduit en PVC, en ABS ou tout autre conduit non-métallique pour l'évacuation!

**⚠ AVERTISSEMENT: Gaz De Combustion Dangereux!**  
Le non-respect de ces consignes peut causer une fuite de gaz de combustion dangereux dans l'espace, qui peut causer un décès, des blessures graves et de graves dommages à la propriété.  
Ne pas utiliser un évent de Type B (à double paroi) interne à l'intérieur d'un immeuble, sur des unités de puissance à évacuation horizontale.

TABLEAU 7

## Diamètres des tuyaux de ventilation et longueurs de tuyau équivalentes pour évacuation horizontale

Taille du modèle	Diamètre du tuyau de ventilation	Longueur de tuyau équivalente	
		Minimum	Maximum
100-150	4 po (10,2 cm)	5 pi (1,5 m)	30 pi (9 m)
200	4 po (10,2 cm)	5 pi (1,5 m)	50 pi (15,25 m)
250-400	6 po (15,2 cm)	5 pi (1,5 m)	50 pi (15,25 m)

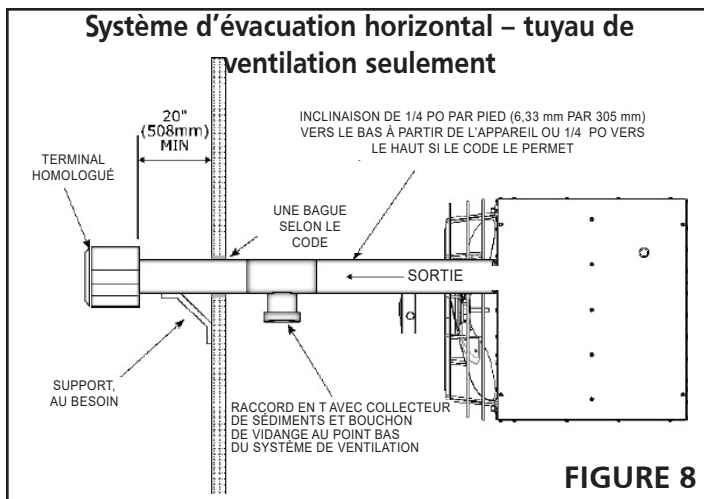


FIGURE 8

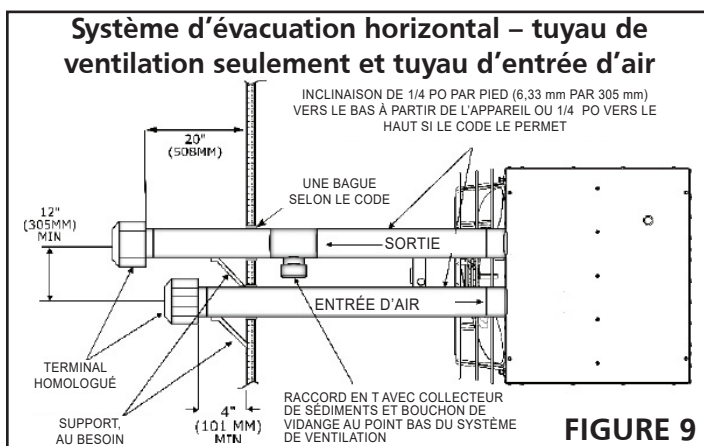


FIGURE 9

## INSTALLATION DU GAZ

**⚠️ AVERTISSEMENT :** Ne pas appliquer plus de 1/2 psi (3,48 kPa) de pression de gaz à l'appareil de chauffage. Des pressions supérieures à 1/2 psi (3,48 kPa) endommageront l'appareil de chauffage et pourraient entraîner des blessures ou la mort. N'utilisez jamais d'allumettes ou de flamme nue pour vérifier la présence de fuites de gaz. Cela pourrait provoquer une explosion ou un incendie, entraînant des blessures ou la mort.

1. L'installation de la tuyauterie de gaz doit être conforme aux codes locaux/nationaux.
2. Dans le Commonwealth du Massachusetts, cet appareil doit être installé par un plombier ou un monteur de gaz agréé et doit être équipé d'une vanne de gaz de type « poignée en T ».
3. La conduite de gaz doit avoir une capacité suffisante pour fournir la bonne quantité de gaz à la bonne pression à l'appareil de chauffage. La capacité maximale des conduites de gaz est définie par les codes locaux ou par la norme NFPA 54 ou CSA B149.1. La capacité est fondée sur :
  - a. le diamètre de la conduite de gaz;
  - b. la longueur de la conduite de gaz;
  - c. le type de gaz utilisé (gaz naturel ou propane);
  - d. la pression de fonctionnement du gaz;
  - e. le débit d'entrée, ou le débit de gaz de l'appareil de chauffage.
4. Avec les informations ci-dessus et le débit de gaz pour chaque appareil de chauffage dans le Tableau 8, déterminez la taille appropriée de la conduite de gaz nécessaire.

5. La pression minimale du gaz à l'entrée est :
  - a. Gaz naturel = 6,0 po de colonne d'eau (1,49 kPa)
  - b. Propane = 11,0 po w.c. (2,74 kPa)
6. La pression de gaz maximale de l'appareil est de 1/2 PSI (14 po w.c. ou 3,48 kPa).
7. Installez un raccord et un robinet d'arrêt manuel à côté de l'appareil pour un arrêt d'urgence et un entretien facile des commandes, y compris un raccord NPT obstrué de 1/8 po accessible pour le raccordement d'une jauge de test. Consultez la Figure 10.

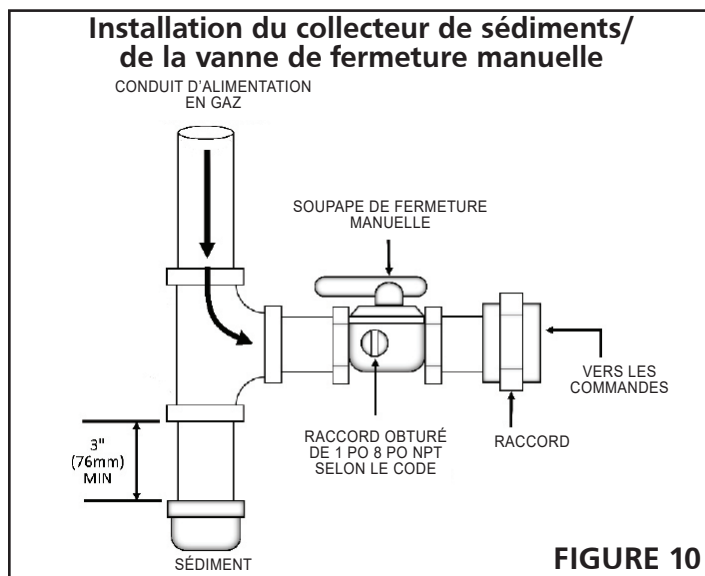


FIGURE 10

TABLEAU 8

Consommation de gaz et orifice\*

Taille du modèle	Type de gaz	PCH** (m³/h)	Gal/h (L/h)	Taille orifice	Nbre d'orifices
100	GN	95,2 (2,7)	-	#42	4
	PL	40 (1,1)	1,09 (4,1)	#53	
125	GN	119 (3,7)	-	#42	5
	PL	50,0 (1,4)	1,36 (5,1)	#53	
150	GN	142,9 (4,0)	-	#42	6
	PL	60,0 (1,7)	1,6 (6,2)	#53	
200	GN	190,5 (5,4)	-	#38	7
	PL	80,0 (2,2)	2,2 (8,3)	#52	
250	GN	238,1 (6,7)	-	#37	8
	PL	100 (2,8)	2,7 (10,3)	1,65 mm	
300	GN	285,7 (8,1)	-	#36	9
	PL	120 (3,4)	3,3 (12,4)	#51	
400	GN	381,0 (10,8)	-	#36	12
	PL	160 (4,5)	4,4 (16,5)	#51	

\* Pression au collecteur : GN = 3,5 po w.c. (0,87 kPa) et PL = 10 po w.c. (2,49 kPa).

\*\* PCH selon le pouvoir calorifique du GN = 1 050 BTU/pi³ (39,1 MJ/m³) et le pouvoir calorifique du PL = 2 500 BTU/pi³ (93,1 MJ/m³).

8. Lorsque vous fixez la conduite de gaz à la vanne de gaz sur l'appareil de chauffage, utilisez avec précaution une deuxième clé afin que la vanne de gaz ne tourne pas et n'endommage pas la vanne ou l'appareil de chauffage.

9. Prévoyez un piège à sédiments aussi près que possible de l'appareil. Consultez la Figure 10.
10. Utilisez un composé de joint de filetage qui est approuvé pour être utilisé avec le gaz qui sera utilisé pour l'appareil de chauffage.
11. Effectuez un test de pression/de fuite sur la ligne d'alimentation en gaz avant d'installer l'appareil, conformément aux codes locaux/nationaux. Une fois l'appareil de chauffage installé, effectuez un test de pression/fuite avec des pressions d'essai inférieures à ½ psi (3,48 kPa) vers l'appareil. Des dommages se produiront si la pression d'essai vers l'appareil est supérieure à ½ psi (3,48 kPa). Le robinet de gaz de l'appareil doit être éteint/fermé pendant tout essai de pression.

## INSTALLATION ÉLECTRIQUE

**⚠️ AVERTISSEMENT : Débranchez toute l'alimentation électrique avant d'installer ou de réparer l'appareil. Si vous ne débranchez pas l'alimentation électrique avant l'installation ou l'entretien, vous risquez de vous électrocuter, de vous blesser ou de mourir.**

1. L'installation du câblage doit se conformer aux codes locaux du bâtiment ou, en l'absence de tels codes, avec le National Electric Code, ANSI/NFPA 70, plus récente édition. L'appareil doit être mis à la terre en conformité avec ce code. Au Canada, le câblage doit se conformer à CSA C22.1, Code canadien de l'électricité, première partie.
2. Deux exemplaires du diagramme de câblage sont fournis avec chaque appareil. L'un se trouve sur le compartiment latéral des commandes et l'autre dans ce manuel (voir la Figure 11). Consultez ce diagramme pour faire tous les raccords de câblage.
3. Reportez-vous à la Figure 1 de la page 3 pour connaître le point d'entrée dans l'appareil du fil de la tension d'alimentation et du fil du thermostat. Des trous de débouchage de taille standard sont prévus.
4. Le câblage du thermostat est destiné aux thermostats de 24 volts uniquement.
5. Les connexions du thermostat se font sur la carte de circuit imprimé à l'intérieur de l'appareil de chauffage.
6. Certains thermostats peuvent nécessiter la borne commune « C » pour des fonctionnalités supplémentaires telles que le Wi-Fi. Reportez-vous aux instructions du fabricant du thermostat.
7. Les connexions de la tension d'alimentation et de mise à la terre sont effectuées dans l'appareil de chauffage à l'aide de connecteurs à écrou de taille appropriée sur les fils noir, blanc et vert/jaune.
8. L'alimentation électrique de l'appareil doit être assurée par un circuit à fusible avec un sectionneur situé aussi près que possible de l'appareil.
9. L'alimentation électrique doit se situer dans une plage de moins de 5 % de la tension nominale de l'appareil de chauffage (115V). Si ce n'est pas le cas, prévenez la compagnie d'électricité.

## FONCTIONNEMENT

**⚠️ AVERTISSEMENT : Le fait de ne pas confirmer la taille d'orifice et la pression de collecteur appropriées pour le lieu d'installation, le gaz et l'élévation peut entraîner la mort, des blessures ou des dommages matériels, y compris un incendie ou une défaillance prématurée de l'appareil de chauffage. Ne réglez jamais le débit d'entrée, la pression du collecteur ou la taille de l'orifice pour obtenir un débit d'entrée plus élevé.**

**⚠️ AVERTISSEMENT : Le fait de ne pas confirmer la taille d'orifice et la pression de collecteur appropriées pour le lieu d'installation, le gaz et l'élévation, annulera la garantie des composants électriques et de l'échangeur de chaleur.**

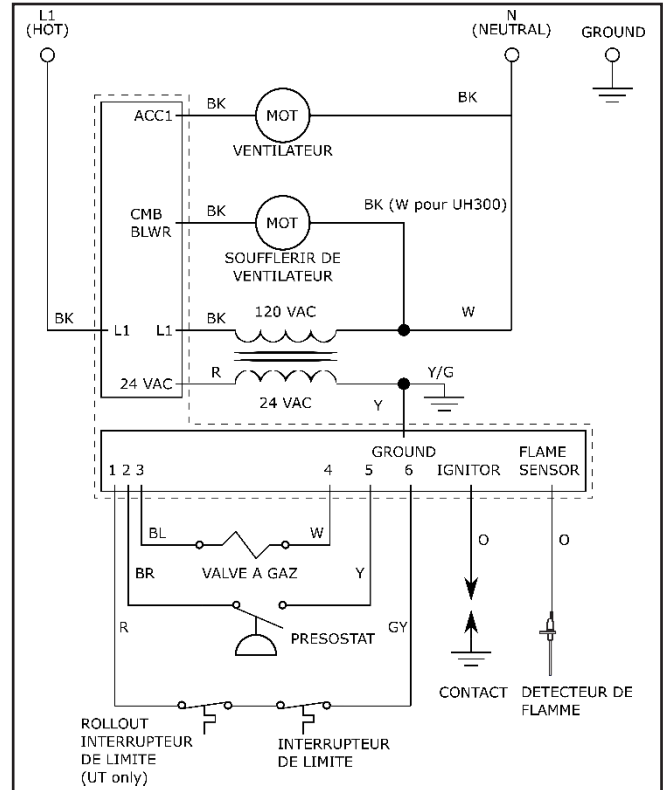
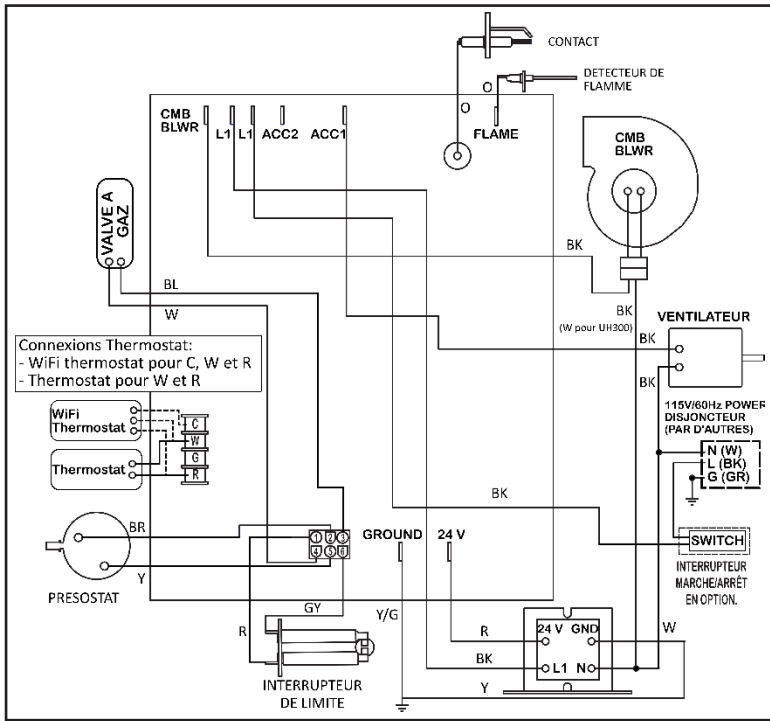
Cet appareil a été entièrement assemblé et a fait l'objet d'essais opérationnels en usine. Les procédures préopératoires suivantes doivent être effectuées pour vérifier le bon fonctionnement de l'installation au site.

### REMARQUE : Ne pas contourner ou ponter les commandes.

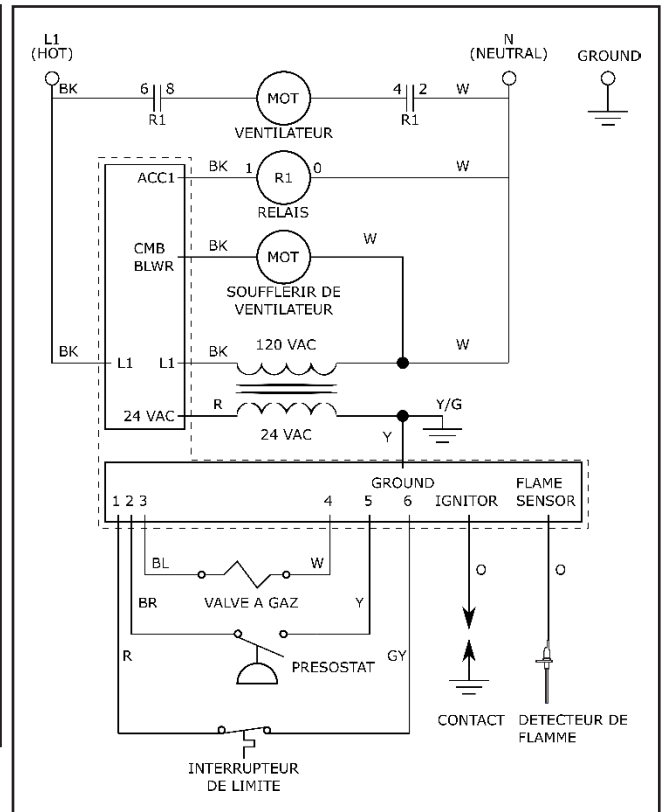
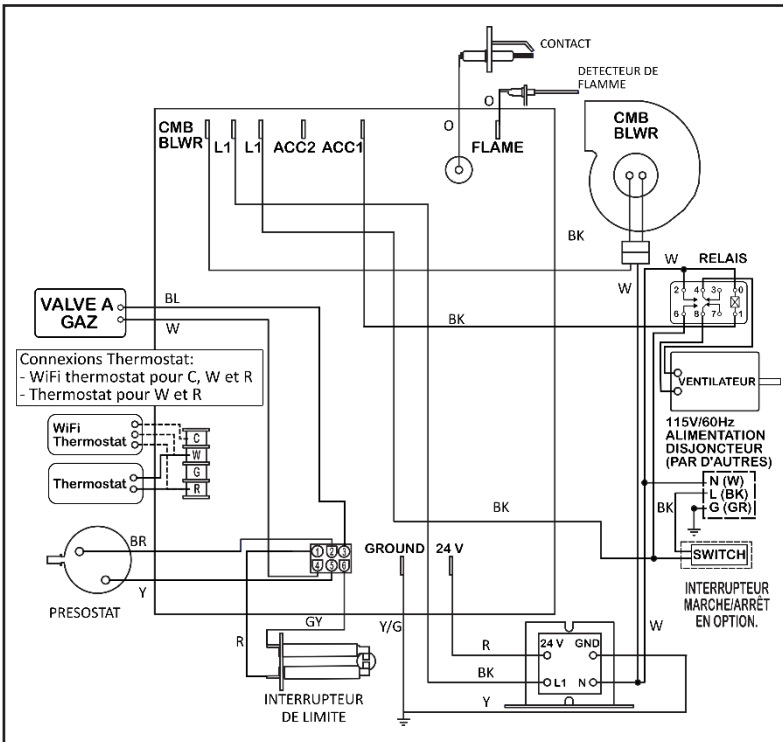
1. Une fois l'alimentation électrique coupée par le sectionneur et la vanne de gaz manuelle fermée, effectuez une inspection visuelle pour vérifier les points suivants :
  - a. Toutes les ouvertures d'air ne sont pas obstruées ou bloquées.
  - b. Le ventilateur n'entre pas en contact avec la protection du ventilateur ou le boîtier lorsqu'il est tourné à la main.
  - c. Toutes les vis sont serrées.
  - d. La taille de l'orifice correspond à la plaque signalétique ou, le cas échéant, à celle de la trousse pour haute altitude ou la trousse de conversion au propane.
  - e. Les orifices sont centrés sur les brûleurs.
  - f. Les lames du déflecteur d'air sont dans la direction souhaitée et ne sont PAS complètement fermées.
  - g. Confirmez que tous les fils et les raccords électriques sont installés conformément au schéma de câblage et sont solidement fixés. Les fils ne doivent pas se trouver près de la flamme du brûleur ou d'autres surfaces chaudes.
2. Après avoir coupé le gaz et l'électricité, installez un moyen et des instruments appropriés pour mesurer la pression du gaz à l'entrée de la vanne de gaz de l'appareil et la pression du collecteur de gaz (pression de sortie). Reportez-vous à la Figure 12 à la page 12 pour connaître l'emplacement des prises de pression permettant de mesurer la pression d'entrée du gaz et la pression du collecteur de gaz (pression de sortie).
3. Mettez l'ALIMENTATION ÉLECTRIQUE SOUS TENSION UNIQUEMENT AU SECTIONNEUR.
4. Les commandes de cet appareil de chauffage peuvent déterminer si un pressostat et des interrupteurs de limite de température fonctionnent correctement. Ne pas ponter ou contourner les dispositifs de sécurité.
5. Faites un appel de chaleur sur le thermostat et vérifiez que les commandes du chauffage fonctionnent correctement sans gaz. La séquence devrait être :
  - a. Demandez de la chaleur au thermostat.
  - b. La prépurge du ventilateur de combustion est de 30 secondes.
  - c. L'allumeur à étincelle s'allume pendant 10 secondes après la prépurge.
  - d. Comme le gaz est coupé, les brûleurs ne s'allument pas et le ventilateur de combustion continue de fonctionner.
  - e. Après 30 secondes d'interpurge, l'allumeur à étincelle s'allume pendant 10 secondes. Cette opération sera répétée une fois de plus pour un total de 3 essais d'allumage.
  - f. Après le 3<sup>e</sup> essai d'allumage, le ventilateur de combustion continue de fonctionner pendant 5 secondes. Le voyant DEL sur la commande doit clignoter 2 fois comme indiqué dans le tableau « Code de diagnostic DEL » situé sur l'appareil et dans le Tableau 11.
  - g. Si la séquence ci-dessus ne se produit pas, reportez-vous à la section « Dépannage ».
6. Coupez l'alimentation électrique. Ouvrez la vanne manuelle de fermeture du gaz.
7. Utilisez un détecteur de fuites de gaz approprié pour vérifier qu'il n'y a pas de fuites de gaz, y compris dans les instruments de mesure de la pression du gaz pour la pression d'entrée et la pression du collecteur.
8. Allumez le courant électrique. Le thermostat devrait toujours demander de la chaleur.
9. Tout air présent dans la conduite de gaz doit avoir été purgé du système conformément aux codes locaux/nationaux lors de l'installation de la conduite de gaz.
10. Lorsque les brûleurs s'allument, vérifiez que la pression d'entrée du gaz est comprise entre 6,0 et 14 po w.c. (1,50-3,49 kPa) pour le gaz naturel et de 11,0 à 14 po (2,74-3,49 kPa) pour le propane. Si la pression du gaz n'est pas dans cette plage, consultez la compagnie d'approvisionnement en gaz, l'installateur ou le personnel de service qualifié pour déterminer la cause.

# Figure 11 – Connexions électriques et diagrammes en échelle

Taille du modèle 100 à 300



Taille du modèle 400 uniquement

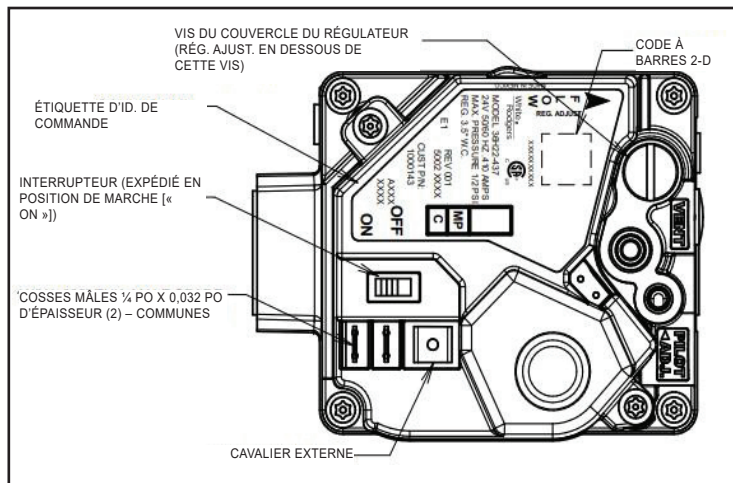
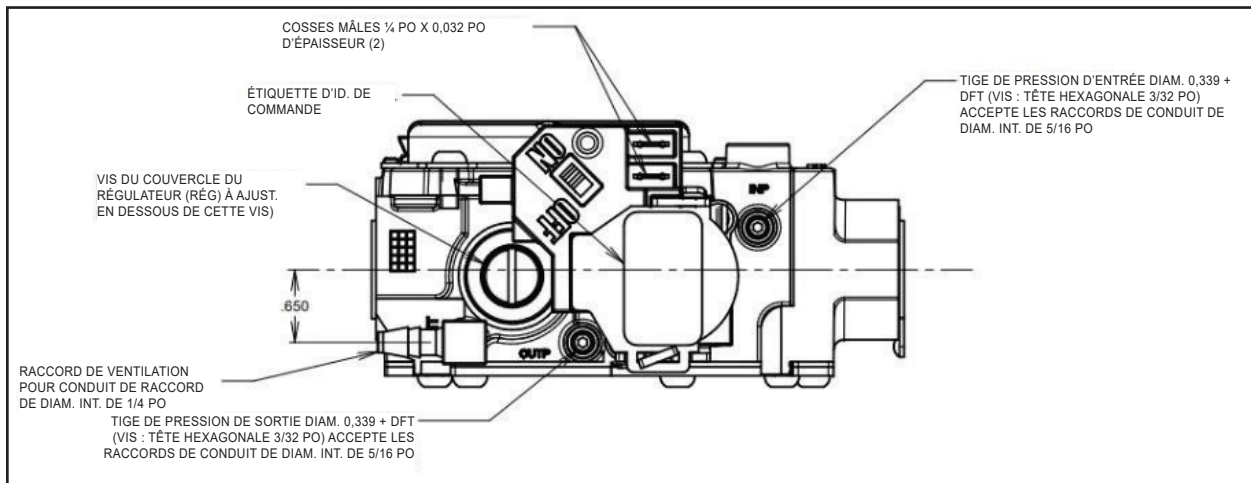


\* Il y a un fusible de 3 ampères sur le tableau de commande de tous les radiateurs



11. Vérifiez que la pression du collecteur correspond à la valeur indiquée sur la plaque signalétique, ou à la valeur pour l'installation en haute altitude ou à la valeur pour la trousse de conversion au propane. En raison des tolérances de fabrication, la pression du collecteur de gaz pourrait devoir être ajustée à la pression exacte pour l'installation.
12. Pour régler la pression du collecteur de gaz :
  - a. Retirez le bouchon du régulateur. Consultez la Figure 12.
  - b. Pour augmenter la pression, tournez la vis du régulateur dans le sens des aiguilles d'une montre.
  - c. Pour diminuer la pression, tournez la vis du régulateur dans le sens inverse des aiguilles d'une montre.
  - d. Remettez en place le bouchon du régulateur.
13. Vérifiez que le ventilateur de circulation d'air se met en marche environ 30 secondes après l'allumage du brûleur.
14. Annulez la demande de chaleur au thermostat.
15. Après l'extinction des brûleurs, le ventilateur de combustion doit fonctionner pendant 5 secondes supplémentaires et le ventilateur d'air de circulation doit fonctionner pendant 150 secondes supplémentaires.
16. Après l'arrêt du ventilateur, coupez le courant électrique et la vanne manuelle de gaz.
17. Retirez les instruments de mesure de la pression du gaz et installez/serrez tous les raccords qui ont été retirés/utilisés pendant la vérification de la pression du gaz.
18. Remettez en marche l'alimentation électrique et la vanne manuelle du gaz.
19. Vérifiez à l'affût de fuites de gaz.
20. Faites une autre demande de chaleur au thermostat.
21. Après l'allumage des brûleurs, vérifiez qu'il n'y a pas de fuites de gaz après la vanne de gaz, y compris aux raccords de gaz utilisés pour mesurer la pression du gaz.
22. Vérifiez que le système de ventilation est installé correctement et qu'il n'est pas obstrué. Avant de commencer, suivez les étapes suivantes pour vérifier que le système de ventilation est correctement dimensionné :
  - a. Scellez toutes les ouvertures inutilisées du système d'évacuation.
  - b. Inspectez le système d'évacuation pour vérifier la taille et l'inclinaison horizontale appropriées, comme l'exige le *National Fuel Gas Code, NFPA 54/ANSI Z223.1* ou le Code d'installation CSA B149,1, plus récente édition, et ces instructions. Confirmez l'absence de blocages, restrictions, fuites, corrosion ou autres déficiences pouvant présenter des dangers.
  - c. Dans la mesure du possible, fermez toutes les portes et fenêtres du bâtiment

**Figure 12 – Détails de la vanne de gaz**  
**Taille du modèle 100 à 200**



**Taille du modèle 250 à 400**  
**REMARQUE : Les robinets de pression de gaz sont situés sur le côté et étiquetés « IN P » et « OUT P »**

et toutes les portes entre l'espace dans lequel se trouvent le ou les appareils raccordés au système de ventilation et les autres espaces du bâtiment. Mettez en marche les sècheurs à linge et tous les ventilateurs d'extraction tels que les hottes de cuisine et les ventilateurs de salle de bains, afin qu'ils fonctionnent à la vitesse maximale. Ne faites pas fonctionner un ventilateur d'extraction d'été. Fermez les clapets de la cheminée.

- d. Suivez les instructions d'allumage. Mettez en marche l'appareil à inspecter. Réglez le thermostat de manière à ce que l'appareil fonctionne en continu.
  - e. Une fois qu'il a été déterminé que chaque appareil connecté au système d'évacuation évacue correctement les gaz lorsqu'il est testé comme indiqué ci-dessus, remettez les portes, les fenêtres, les ventilateurs d'évacuation, les clapets de cheminée et tout autre appareil fonctionnant au gaz dans leurs conditions d'utilisation précédentes.
  - f. Si une ventilation inadéquate est observée pendant l'un des tests ci-dessus, le système de ventilation doit être corrigé.
23. Après avoir confirmé le bon fonctionnement de l'appareil, remplacez le panneau d'accès.
  24. En cas de surchauffe ou si le système de commande de l'approvisionnement en gaz manque de couper la circulation de gaz, fermez la vanne de fermeture manuelle du gaz avant de couper l'alimentation électrique.
  25. N'utilisez pas cet appareil de chauffage si toute pièce a été sous l'eau. Appelez immédiatement un technicien qualifié qui pourra inspecter l'appareil et remplacer toute commande de gaz ayant été sous l'eau.

## INSTALLATION POUR PROPANE ET HAUTES ALTITUDES

Tous les modèles sont certifiés par ETL à des altitudes de 0 à 2 000 pi (0 à 610 m), 2 001 à 5 400 pi (610,5 à 1 645 m), 5 401 pi à 7 800 pi (1 645,5 à 2 377 m) et 7 801 pi à 10 100 pi (2 377,5 à 3 078 m). La valeur nominale de l'entrée dans ce manuel est pour 0 à 2 000 pi (0 à 610 m). Si un appareil doit être installé à une altitude supérieure à 2 000 pi (610 m), les instructions suivantes doivent être suivies. Chaque appareil de chauffage est accompagné d'une étiquette de haute altitude qui doit être remplie avec un marqueur permanent et fixée à l'appareil de chauffage à côté de la plaque signalétique.

### Ajustements pour le gaz naturel à haute altitude et trousse de conversion

Le Tableau 9 indique la pression requise au collecteur, le réglage du pressostat s'il est ailleurs qu'au niveau de la mer (usine) et les orifices pour les installations de gaz naturel en haute altitude. Les orifices n'ont besoin d'être changés sur aucun modèle pour la haute altitude. Les pressostats devront être achetés auprès de l'usine. Les numéros de pièces sont indiqués dans la section « Pièces de rechange » de ce manuel.

### Conversions au propane et information sur le propane à haute altitude

Le Tableau 10 indique la pression requise au collecteur, le réglage du pressostat s'il est ailleurs qu'au niveau de la mer (usine) et les orifices pour les installations de propane en haute altitude. Suivez la feuille d'instructions incluse avec la trousse de conversion au propane sur la façon de convertir le gaz naturel au propane.

Reportez-vous au tableau des pièces pour connaître les numéros de pièces des « trousse de conversion ». Contactez votre représentant local ou le service à la clientèle pour connaître la disponibilité.

**Reportez-vous à la section « Fonctionnement » de ce manuel pour régler correctement l'appareil de chauffage.**

**REMARQUE :** Les orifices standard sont utilisés pour les installations à haute altitude.

Tableau 9 – Information sur le gaz naturel à haute altitude et sur la conversion

**TABLEAU 9.1**  
Information sur le GN en haute altitude :  
2 001 pi à 5 400 pi (610 m à 1 645 m)

Taille du Modèle	BTU/h à l'entrée	Pression au collecteur de GN (po w.c.)/(kPa)	Pressostat	Taille de l'orifice (quantité)
100	100 000	3,5/0,87	-0,80	N° 42 (4)
125	125 000	3,5/0,87	-0,80	N° 42 (5)
150	150 000	3,5/0,87	-0,80	N° 42 (6)
200	200 000	3,5/0,87	S. O.	N° 38 (7)
250	250 000	3,5/0,87	-1,10	N° 37 (8)
300	300 000	3,5/0,87	-1,20	N° 36 (9)
400	400 000	3,5/0,87	-1,45	N° 36 (12)

**TABLEAU 9.2**  
Information sur le GN en haute altitude :  
5 401 pi à 7 800 pi (1 645,5 m à 2 377 m)

Taille du Modèle	BTU/h à l'entrée	Pression au collecteur de GN (po w.c.)/(kPa)	Pressostat	Taille de l'orifice (quantité)
100	100 000	3,5/0,87	-0,80	N° 42 (4)
125	125 000	3,5/0,87	-0,80	N° 42 (5)
150	150 000	3,5/0,87	-0,80	N° 42 (6)
200	200 000	3,5/0,87	-0,80	N° 38 (7)
250	250 000	3,5/0,87	-1,10	N° 37 (8)
300	300 000	3,5/0,87	-1,20	N° 36 (9)
400	400 000	3,5/0,87	-1,40	N° 36 (12)

**TABLEAU 9.3**  
Information sur le GN en haute altitude :  
7 801 pi à 10 100 pi (2 377 m à 3 078 m)

Taille du Modèle	BTU/h à l'entrée	Pression au collecteur de GN (po w.c.)/(kPa)	Pressostat	Taille de l'orifice (quantité)
100	100 000	3,5/0,87	-0,75	N° 42 (4)
125	125 000	3,5/0,87	-0,75	N° 42 (5)
150	150 000	3,5/0,87	-0,75	N° 42 (6)
200	200 000	3,5/0,87	-0,75	N° 38 (7)
250	250 000	3,5 /0,87	-1,10	N° 37 (8)
300	300 000	3,5/0,87	-1,20	N° 36 (9)
400	400 000	3,5/0,87	-1,35	N° 36 (12)

Tableau 10 – Informations et conversions concernant le propane (LP) pour toutes les élévations

**Tableau 10.1 Informations sur le propane : 0 pi à 2 000 pi (0 à 610 m)**

Taille du Modèle	100	125	150	200	250	300	400
BTU/h à l'entrée	100 000	125 000	150 000	200 000	250 000	300 000	400 000
Taille des orifices	53	53	53	52	1,65 mm	51	51
Qté d'orifices dans la trousse*	6	6	6	7	8	12	12
PL Pression du collecteur (po w.c.)/(kPa)	10,0/2,49	10,0/2,49	10,0/2,49	10,0/2,49	10,0/2,49	10,0/2,49	10,0/2,49
Pressostat	S. O.	S. O.	S. O.	S. O.	S. O.	S. O.	S. O.

\* Les trousse peuvent contenir plus d'orifices que nécessaire pour le modèle particulier à convertir.  
Les orifices supplémentaires peuvent être jetés.

**Tableau 10.2 Informations sur le propane : 2 001 pi à 5 400 pi (610,5 m à 1 645 m)**

Taille du Modèle	100	125	150	200	250	300	400
BTU/h à l'entrée	100 000	125 000	150 000	200 000	250 000	300 000	400 000
Taille des orifices	53	53	53	52	1,65 mm	51	51
Qté d'orifices dans la trousse*	6	6	6	7	8	12	12
PL Pression du collecteur (po w.c.)/(kPa)	10,0/2,49	10,0/2,49	9,2/ 2,29	8,6/ 2,14	9,3 / 2,32	9,2 / 2,29	8,2 / 2,04
Pressostat	-0,80	-0,80	-0,80	S. O.	-1,10	-1,20	-1,45

\* Les trousse peuvent contenir plus d'orifices que nécessaire pour le modèle particulier à convertir.  
Les orifices supplémentaires peuvent être jetés.

**Tableau 10.3 Informations sur le propane : 5 401 à 7 800 pi (1 646,5 à 2 377 m)**

Taille du Modèle	100	125	150	200	250	300	400
BTU/h à l'entrée	100 000	125 000	150 000	200 000	250 000	300 000	400 000
Taille des orifices	53	53	53	52	1,65 mm	51	51
Qté d'orifices dans la trousse*	6	6	6	7	8	12	12
PL Pression du collecteur (po w.c.)/(kPa)	9,2/2,30	9,2/2,30	8,6/2,14	8,0 / 1,99	9,0 / 2,24	8,9 / 2,22	8,1 / 2,02
Pressostat	-0,80	-0,80	-0,80	-0,80	-1,10	-1,20	-1,40

\* Les trousse peuvent contenir plus d'orifices que nécessaire pour le modèle particulier à convertir.  
Les orifices supplémentaires peuvent être jetés.

**Tableau 10.4 Informations sur le propane : 7 801 pi à 10 100 pi (2 387 m à 3 078 m)**

Taille du Modèle	100	125	150	200	250	300	400
BTU/h à l'entrée	100 000	125 000	150 000	200 000	250 000	300 000	400 000
Taille des orifices	53	53	53	52	1,65 mm	51	51
Qté d'orifices dans la trousse*	4	5	6	7	8	9	12
PL Pression du collecteur (po w.c.)/(kPa)	8,8/2,20	8,8/2,20	8,1 / 2,02	7,5 / 1,87	8,7 / 2,17	8,7 / 2,17	8,0/1,99
Pressostat	-0,75	-0,75	-0,75	-0,75	-1,10	-1,20	-1,35

\* Les trousse peuvent contenir plus d'orifices que nécessaire pour le modèle particulier à convertir.  
Les orifices supplémentaires peuvent être jetés.

## ENTRETIEN

Chaque année, demandez à une agence de service qualifiée d'effectuer l'entretien suivant :

**⚠️ AVERTISSEMENT : Le service et l'entretien doivent être faits par un technicien qualifié. N'utilisez que des pièces de rechange d'usine autorisées.**

- Avant toute intervention, **COUPEZ LE GAZ À LA VANNE D'ARRÊT MANUELLE ET COUPEZ TOUTE ALIMENTATION ÉLECTRIQUE À L'APPAREIL.**
- Ventilateur et moteur de circulation d'air :
  - Vérifiez que la vis de réglage de la pale du ventilateur est serrée avec un couple minimum de 25 po-lb et maximum de 100 po-lb.
  - Nettoyez la pale du ventilateur, la protection du ventilateur et le moteur.
  - Vérifiez que les pales du ventilateur, l'arbre du moteur et le moteur ne sont pas endommagés.
- Brûleurs et orifices :
  - Retirez les brûleurs de l'appareil et nettoyez-les avec une brosse ou un chiffon approprié.
  - Nettoyez les orifices et vérifiez que les trous ne sont pas obstrués
  - Vérifiez l'absence de dommages, de rouille ou de détérioration.
  - Vérifiez que les orifices de transfert du brûleur ne sont pas endommagés et qu'ils se touchent.
- Allumeur à étincelle et capteur :
  - Nettoyez soigneusement le capteur et l'allumeur à étincelle.
  - Vérifiez l'absence de fissures dans la céramique.
  - Vérifiez que les parties métalliques ne sont pas endommagées ou détériorées.
- Câblage :
  - Vérifiez les câblages à l'affût de raccords lâches.
  - Vérifiez que les fils ne sont pas endommagés par la chaleur.
- Vanne et tuyau de gaz :
  - Vérifiez l'absence de fuites sur les raccords de gaz à l'aide de détecteurs de fuites appropriés. N'utilisez jamais une allumette ou une flamme nue. Assurez-vous d'allumer le gaz pour cette partie du service.
  - Vérifiez la pression de gaz du collecteur et la pression de gaz d'entrée.
- Souffleur d'air de combustion :
  - Nettoyez la poussière et la saleté des lames de refroidissement de l'air.
  - Nettoyez la poussière et la saleté du moteur.
  - Vérifiez que le tuyau en caoutchouc de silicone haute température n'est pas fissuré ou endommagé.

- Échangeur de chaleur et boîtier :
  - Vérifiez que l'échangeur de chaleur n'est pas endommagé ou fissuré.
  - Inspectez toute la quincaillerie (vis, écrous, vitre d'observation) du boîtier, y compris celle utilisée pour le montage.
- Système de ventilation :
  - Inspectez le système de ventilation pour vérifier qu'il n'est pas endommagé, qu'il n'y a pas d'attaches ou de supports desserrés ou que les matériaux environnants ne sont pas endommagés.
  - Nettoyez les terminaisons de l'évent et de l'entrée d'air.
  - Nettoyez la grille d'entrée d'air de l'appareil de chauffage.
  - Nettoyez le collecteur de sédiments.

**TABLEAU 11**  
**Codes de diagnostic des voyants DEL verts**

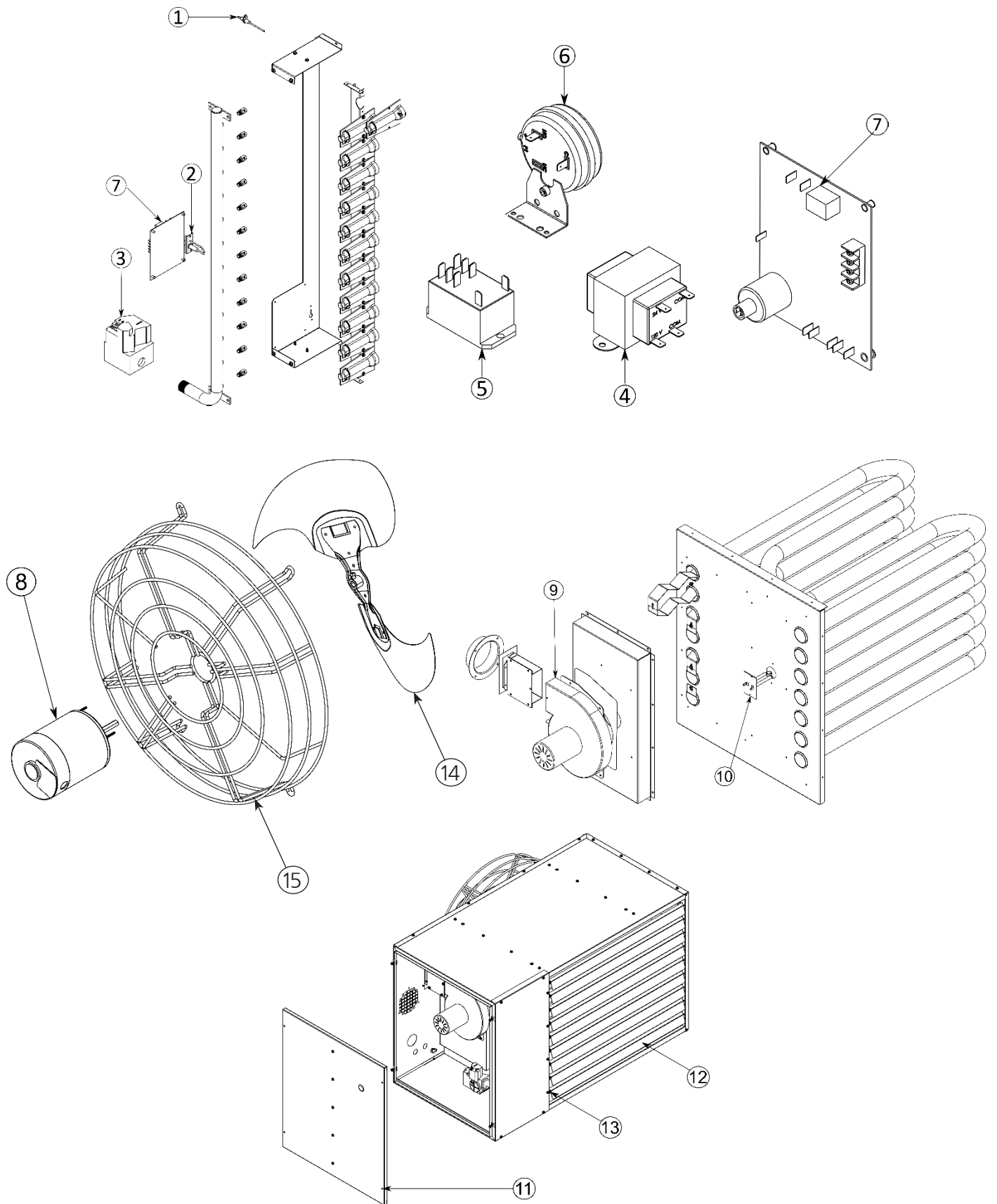
Allumé fixe	Défaillance de commande interne
Éteint fixe	Défaillance de commande interne ou absence d'alimentation
Clignotement lent	Commande OK, aucune chaleur demandée
Clignotement rapide	Commande OK, appel de chaleur présent
2 clignotements	En verrouillage en raison d'échec d'allumage ou de perte de flamme
3 clignotements	Pressostat ouvert avec inducteur activé, ou fermé avec inducteur désactivé
4 clignotements	Le limiteur de retour de flamme est ouvert
5 clignotements	Flamme détectée alors que la vanne de gaz est fermée
6 clignotements	Microprocesseurs intégrés en désaccord

## DÉPANNAGE

Symptôme	Cause possible	Solution possible
L'appareil ne démarre pas	<ol style="list-style-type: none"> <li>L'alimentation électrique est éteinte.</li> <li>Pas de courant 24 V vers le thermostat.</li> <li>Mauvais fonctionnement du thermostat.</li> <li>Le voyant DEL clignote.</li> <li>Fusible grillé sur la carte de contrôle.</li> <li>Commande défectueuse.</li> </ol>	<ol style="list-style-type: none"> <li>Allumez l'alimentation principale.</li> <li>Vérifiez le transformateur de commande.               <ol style="list-style-type: none"> <li>Si le transformateur est défaillant – vérifiez le calibre, la longueur et les défauts du fil du thermostat.</li> </ol> </li> <li>Vérifiez les connexions des fils aux bornes R et W uniquement.               <ol style="list-style-type: none"> <li>Vérifiez/remplacez le thermostat.</li> </ol> </li> <li>Vérifiez les codes de clignotement des voyants DEL sur l'autocollant dans l'appareil ou au Tableau 11.</li> <li>Remplacez le fusible.</li> <li>Remplacez la commande.</li> </ol>
Voyant DEL éteint ou clignotant	<ol style="list-style-type: none"> <li>Fusible grillé sur la carte de contrôle.</li> <li>Causes multiples.</li> </ol>	<ol style="list-style-type: none"> <li>Remplacez le fusible.</li> <li>Les codes de clignotement des voyants DEL de la carte de contrôle varient selon le type de commande. Un autocollant est installé dans l'appareil et le Tableau 11 donne une brève description des codes applicables à votre appareil.</li> </ol>
L'appareil démarre, mais ne s'allume pas	<ol style="list-style-type: none"> <li>L'entrée de gaz principale est éteinte.</li> <li>Air dans la conduite de gaz.</li> <li>Pression du gaz principale ou au collecteur.</li> <li>Vérifiez le commutateur de la vanne de gaz.</li> </ol>	<ol style="list-style-type: none"> <li>Ouvrez la vanne de gaz manuelle.</li> <li>Purgez la ligne de gaz en suivant les précautions nécessaires.</li> <li>Réglez les pressions de gaz selon les instructions du manuel.</li> <li>Mettez la vanne de gaz en position de marche.</li> </ol>
L'appareil effectue un cycle, mais les brûleurs s'éteignent en moins de 10 secondes	<ol style="list-style-type: none"> <li>Inversion de la polarité de l'alimentation principale.</li> <li>L'appareil n'est pas mis à la terre.</li> <li>Flamme non détectée.</li> </ol>	<ol style="list-style-type: none"> <li>Fil noir - CHARGÉ, fil blanc – NEUTRE, fil vert – MASSE.</li> <li>Mettez l'appareil à la terre et vérifiez la qualité de la connexion à la terre.</li> <li>Vérifiez la sonde du capteur de flamme et sa connexion.</li> </ol>
Le ventilateur de circulation d'air ne fonctionne pas	<ol style="list-style-type: none"> <li>Connexions lâches.</li> <li>Carte de contrôle défectueuse.</li> <li>Moteur du ventilateur défectueux.</li> </ol>	<ol style="list-style-type: none"> <li>Vérifiez toutes les connexions.</li> <li>Vérifiez la fiche technique et le fonctionnement de la carte de contrôle.</li> <li>Vérifiez le ventilateur du moteur.</li> </ol>

## PIÈCES POUR RÉPARATIONS

En commandant ces pièces, indiquez le numéro de modèle complet inscrit sur la plaque signalétique de l'appareil.



## LISTE DES PIÈCES (VOYEZ LA PAGE ARRIÈRE POUR PLUS D'INFORMATION SUR LA FAÇON DE COMMANDER LES PIÈCES)

CAPACITÉ DE L'APPAREIL (MBH)			100	125	150	200	250	300	400
NOMBRE DE TUBES PAR MODÈLE			4	5	6	7	8	9	12
PIÈCE	DESCRIPTION	PN	N° DE PIÈCE (QTÉ*)						
1	Capteur de flamme	60366	✓	✓	✓	✓	✓	✓	✓
2	Allumeur par étincelle	60375	✓	✓	✓	✓	✓	✓	✓
3	Vanne de gaz	60376	✓	✓	✓	✓			
	Vanne de gaz	60377					✓	✓	✓
4	Transformateur	60387	✓	✓	✓	✓	✓	✓	✓
5	Relais	60388							✓
6	Pressostat	60473	✓	✓					
	Pressostat	60389			✓	✓			
	Pressostat	60390					✓		
	Pressostat	60472						✓	
	Pressostat	60391							✓
7	Module d'allumage	60392	✓	✓	✓	✓	✓	✓	✓
8	Moteur du ventilateur	60394	✓	✓					
	Moteur du ventilateur	60395			✓				
	Moteur du ventilateur	60396				✓	✓		
	Moteur du ventilateur	60397						✓	
	Moteur du ventilateur	60398							✓
9	Souffleur d'air de combustion	60421	✓	✓	✓	✓	✓		
	Souffleur d'air de combustion	60422						✓	✓
10	Interrupteur de limite	60427	✓	✓	✓	✓	✓	✓	✓
11	Panneau amovible	60435	✓	✓					✓
	Panneau amovible	60436			✓				
	Panneau amovible	60437				✓			
	Panneau amovible	60438					✓		
	Panneau amovible	60474						✓	
	Panneau amovible	60475							✓
	Panneau amovible supérieur	60439							✓
12	Persienne	60453	(-7)	(-7)	(-8)				
	Persienne	60454				(-9)	(-10)	(-11)	(-14)
13	Ressort du déflecteur	60455	(-7)	(-7)	(-8)	(-9)	(-10)	(-11)	(-14)
14	Pales de ventilateur	60410			✓				
	Pales de ventilateur	60411				✓			
	Pales de ventilateur	60412					✓		
	Pales de ventilateur	60413						✓	
	Pales de ventilateur	60414							✓
15	Protection du ventilateur	60406			✓				
	Protection du ventilateur	60407				✓	✓	✓	
	Protection du ventilateur	60408							✓

CAPACITÉ DE L'APPAREIL (MBH)			100	125	150	200	250	300	400
NOMBRE DE TUBES PAR MODÈLE			4	5	6	7	8	9	12
PIÈCE	DESCRIPTION	PN	N° DE PIÈCE (QTÉ*)						
NS	Interrupteur de limiteur de retour de flamme	60463	✓	✓					
NS	Harnais 6 broches	60464	✓	✓	✓	✓			
	Harnais 6 broches	60465					✓	✓	✓
NS	Pressostat (HA), -0.75	60466	✓	✓	✓	✓			
	Pressostat (HA), -0.80	60482	✓	✓	✓	✓			
	Pressostat (HA), -1.10	60467					✓		
	Pressostat (HA), -1.20	60390						✓	
	Pressostat (HA), -1.35	60472							✓
	Pressostat (HA), -1.40	60469							✓
	Pressostat (HA), -1.45	60468							✓
NS	Support de fixation pour dégagement limité	60470	(-2)	(-2)					
NS	Fusible, 3A du Plaquette de circuit	60478	✓	✓	✓	✓	✓	✓	✓
NS	Anneau d'admission d'air de 4"	60480	✓	✓	✓	✓			
NS	Anneau d'admission d'air de 6"	60490					✓	✓	✓

HA – Trousse haute altitude, voir la section

« Installation pour propane et hautes altitudes » partie du manuel

NI – Non illustré

(\*) – Nombre de pièces nécessaires par modèle

#### Trousse de conversion du gaz naturel au propane liquide

Taille du Modèle 100/125/150.....	F163070
Taille du Modèle 200.....	F163071
Taille du Modèle 250.....	F163072
Taille du Modèle 300/400.....	F163073

#### Trousse de conversion du propane liquide au gaz naturel

Taille du Modèle 100/125/150.....	F163074
Taille du Modèle 200.....	F163075
Taille du Modèle 250.....	F163076
Taille du Modèle 300/400.....	F163077



**THIS PAGE INTENTIONALLY LEFT BLANK  
ESTA PÁGINA SE DEJÓ INTENCIONALMENTE EN BLANCO  
CETTE PAGE A ÉTÉ INTENTIONNELLEMENT LAISSÉE VIERGE**

**THIS PAGE INTENTIONALLY LEFT BLANK  
ESTA PÁGINA SE DEJÓ INTENCIONALMENTE EN BLANCO  
CETTE PAGE A ÉTÉ INTENTIONNELLEMENT LAISSÉE VIERGE**

**THIS PAGE INTENTIONALLY LEFT BLANK  
ESTA PÁGINA SE DEJÓ INTENCIONALMENTE EN BLANCO  
CETTE PAGE A ÉTÉ INTENTIONNELLEMENT LAISSÉE VIERGE**



# MODE D'EMPLOI ET GUIDE DU PROPRIÉTAIRE

**LISEZ CES INSTRUCTIONS ATTENTIVEMENT : VOTRE SÉCURITÉ, ET CELLE DES AUTRES, EST IMPORTANTE.** Lisez et observez toutes les instructions. Conservez les instructions dans un endroit sûr pour pouvoir les consulter plus tard. Ne laissez personne n'ayant pas lu ce mode d'emploi assembler, allumer, ajuster ou faire fonctionner cet appareil.

MHU100NGPALP MHU100NGPSSP  
MHU100NGPAL MHU100NGPSS  
MHU125NGPALP MHU125NGPSSP  
MHU125NGPAL MHU125NGPSS  
MHU150NGPALP MHU150NGPSSP  
MHU150NGPAL MHU150NGPSS  
MHU200NGPALP MHU200NGPSSP  
MHU200NGPAL MHU200NGPSS  
MHU250NGPALP MHU250NGPSSP  
MHU250NGPAL MHU250NGPSS  
MHU300NGPALP MHU300NGPSSP  
MHU300NGPAL MHU300NGPSS  
MHU400NGPALP MHU400NGPSSP  
MHU400NGPAL MHU400NGPSS



## AVERTISSEMENT :

N'UTILISEZ QUE LES PIÈCES DE RECHANGE DU FABRICANT. L'UTILISATION DE TOUTE AUTRE PIÈCE POURRAIT CAUSER DES BLESSURES OU LA MORT. LES PIÈCES DE RECHANGE NE SONT OFFERTES QUE PAR L'ENTREMISE DE L'USINE DIRECTEMENT ET DOIVENT ÊTRE INSTALLÉES PAR UN TECHNICIEN QUALIFIÉ.

## INFORMATION DE COMMANDE POUR LES PIÈCES :

**ACHAT :** LES ACCESSOIRES PEUVENT ÊTRE ACHETÉS CHEZ TOUT DÉTAILLANT MR. HEATER OU DIRECTEMENT DE L'USINE

## INFORMATION AU SUJET DU SERVICE :

Appelez-nous sans frais au 800-251-0001 • WWW.MRHEATER.COM

Nos heures d'ouverture sont de 8 h à 17 h, HNE, du lundi au vendredi.

Dans toutes vos communications, veuillez mentionner votre numéro de modèle, la date d'achat et la description du problème.

## GARANTIE LIMITÉE :

L'entreprise garantit que ce produit sera libre d'imperfections matérielles ou de main-d'œuvre, dans le cadre d'une utilisation normale et appropriée en conformité avec les instructions fournies par l'entreprise, pour une période de trois ans sur les pièces (limitée à un an en environnements caustiques ou à haute teneur en humidité), de dix ans sur l'échangeur de chaleur en acier aluminé (limité à cinq ans en cas d'installation en environnement corrosif) et dix ans sur l'échangeur de chaleur en acier inoxydable, à compter de la date de livraison à l'acheteur. L'entreprise, à son choix, réparera ou remplacera les produits retournés par l'acheteur à l'usine, frais de transport payés, au cours de cette période d'un an, si l'entreprise constate que le produit présente des imperfections matérielles ou de main-d'œuvre.

Si une pièce est endommagée ou manquante, communiquez avec notre service du soutien technique au 800-251-0001.

Acheminez toute réclamation sous garantie à Service Department, Enerco Group, Inc., 4560 W. 160 TH ST., CLEVELAND, OHIO 44135. Incluez votre nom, votre adresse et votre numéro de téléphone, et précisez les détails de votre réclamation. Également, fournissez-nous la date d'achat du produit et le nom et l'adresse du détaillant chez qui vous avez acheté le produit.

Ce qui précède constitue l'intégrité de la responsabilité de l'entreprise. Il n'existe aucune autre garantie expresse ou implicite. Plus précisément, il n'existe aucune garantie d'adaptation à un usage particulier ou de qualité marchande. L'entreprise ne sera en aucun cas responsable des retards causés par les imperfections, des dommages consécutifs ou des frais de tout type encourus sans consentement par écrit. Le coût de réparation ou de remplacement constituera le recours exclusif pour toute violation de la garantie. Il n'existe aucune garantie contre ces violations et aucune garantie implicite découlant du commerce ou de l'usage commercial. La garantie ne s'applique pas aux produits qui ont été réparés ou modifiés à l'extérieur de l'usine, de quelque façon que ce soit, qui, selon notre avis, affecte sa condition ou son fonctionnement.

Certains États/certaines provinces ne permettent pas l'exclusion ou la limitation des dommages accessoires et consécutifs. Ainsi, la limitation ou exclusion ci-dessus pourrait ne pas s'appliquer à vous. Cette garantie vous confère des droits juridiques particuliers et vous pourriez aussi avoir d'autres droits qui peuvent varier d'un État/d'une province à l'autre.

Enerco Group, Inc. se réserve le droit d'apporter des changements, sans préavis ou obligation, aux couleurs, spécifications, accessoires, matériaux ou modèles.

ENREGISTREMENT DU PRODUIT : Merci de votre achat.

Veuillez vous connecter à <http://www.egiregistration.com> pour enregistrer votre produit.

Enerco Group, INC., 4560 W. 160TH ST., CLEVELAND, OHIO 44135 • 1 800-251-0001

Mr. Heater est une marque déposée de Enerco Group, Inc.

© 2023, Mr. Heater. Tous droits réservés