



CHISEL PLOW ASSY - TOOL LESS
MODEL NUMBER - CPA/A004/0023/E
UNIPART ITEM CODE - 53CPAA004

Assembly Manual:-
A00-RD-AM-53CPAA004-E-00




SCAN ME


A00-RD-AR-53CPAA004-E-00

Caution

Please Read and Follow all instructions before installation and operation of
CHISEL PLOW ASSY




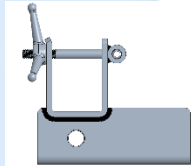


CAUTION

- Read and follow ATV/UTV and implement manual instructions. 
- Attachments change machine handling characteristics. Slow down. Do not exceed a safe travel speed when implement is attached.
- Add ballast on the front frame to keep at least 20% of machine weight on front wheels to maintain steering control.
- Never carry passengers on power unit or implement.
- Keep hands, arms and feet away from frame and implement components.
- Use 2 people when attaching and unhooking implement.
- Do not drive across steep slopes to prevent tipping over.
- Stop power unit, remove ignition key and wait for all moving parts to stop before adjusting or repairing.
- Always use retainers on mounting pins to prevent unexpected separation.
- Do not exceed engine power capacity. Stop to allow engine to cool if overheating. Adjust implement to reduce load before resuming work.

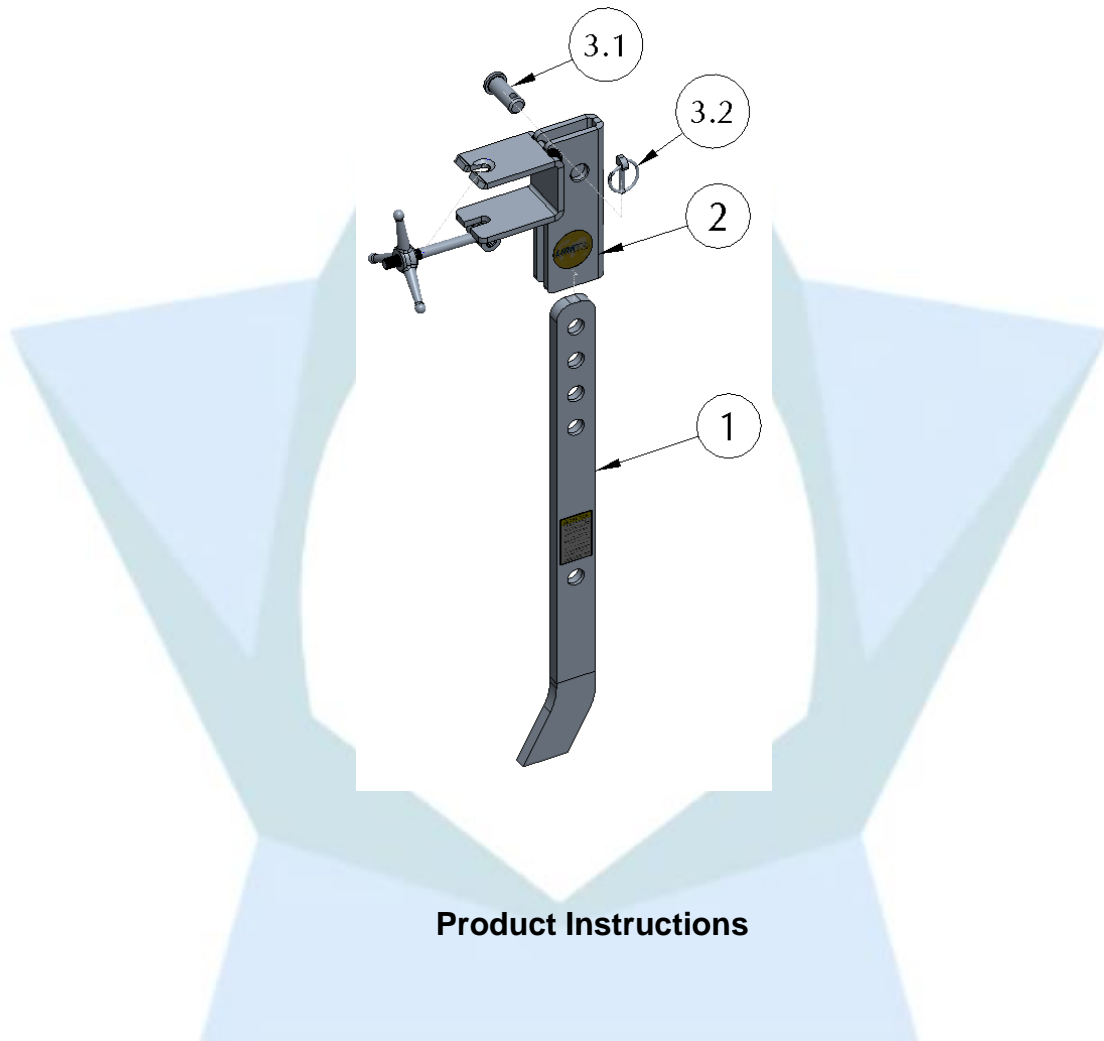
29DCLA009



List of Kit Assembly (53CPAA004)

S. NO.	DESCRIPTION	ITEM NUMBER	ORDER ITEM NUMBER	QTY.	IMAGES
1	CHISEL	53MISA016S	53MISA016S	6	
2	BRACKET ASSEMBLY	53MISA041S	53MISA041S	6	
3.1	PIN D5/8" L1-1/4"	18FHFA454S	22KITA460	6	
3.2	LYNCH PIN D1/4"	22LPNA247S		6	

EXPLODED VIEW – CHISEL PLOW (53CPAA001)



Product Instructions

Before You Begin: Read these instructions and check to be sure all parts and tools are accounted for. Please retain these installation instructions for future reference and parts ordering information.

Note: *If any hardware is missing, do not return it to the store. Call us for help.*

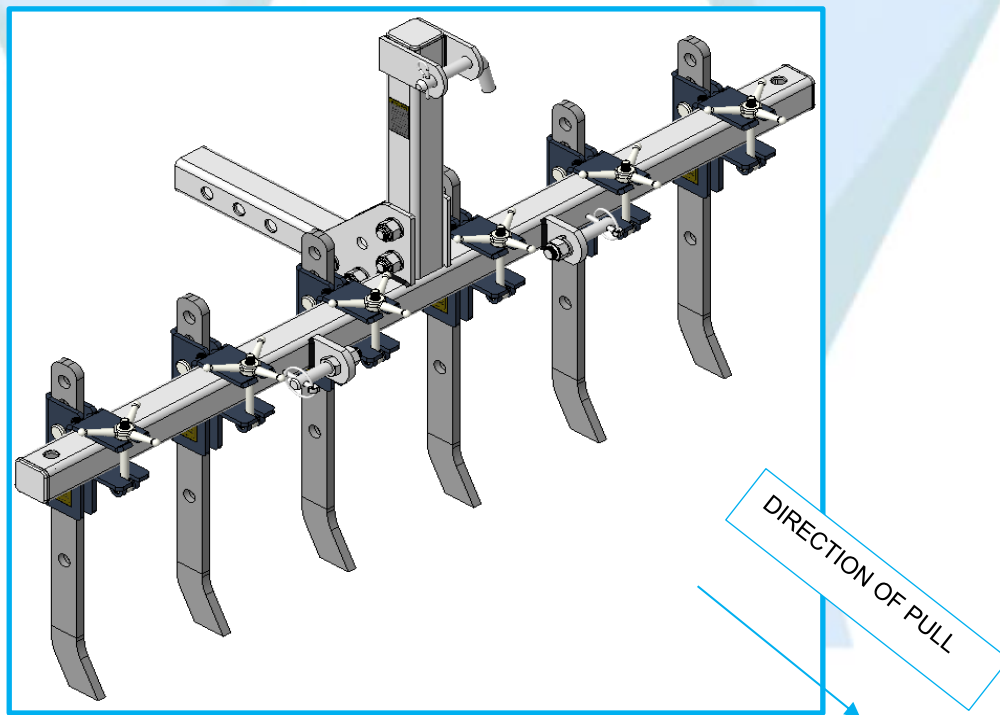
NO Tools Required



Important: Your Uniparts Chisel plow Kit is exclusively designed for your vehicle. Please read the installation instructions thoroughly before beginning. Installation is easier if the vehicle is clean and free of debris. For your safety, and to ensure a satisfactory installation, perform all installation steps correctly in the sequence shown. **Before using the product in the field , please ensure each time, that there are no loose parts. Tighten them properly.**

Installation Instructions:

1. Slide the (#2) BRACKET ASSEMBLY onto the Unipart's Toolbar (not supplied in this Kit) equally on both sides, as shown in the picture below.
2. Leave enough room so that you are able to slide the Toolbar drawpins on and off , of the lift arms of the Uniparts 3-Point Hitch unit.
3. Once you have your spacing correct, tighten securely. For tightening the brackets TOOL LESS NUT is provided in (#2) BRACKET ASSEMBLY for tightening them manually.



4. Drop the (#1) CHEISEL through the vertical slot in the bracket and secure using (#3.1) PIN D5/8" L1-1/4" and (#3.2) LYNCH PIN D1/4". You will notice that the (#1) CHEISEL comes with a series of holes. The lowest hole is for transporting the blade. The other holes in the (#1) CHEISEL are there for a quick adjustment of different depths.
5. The final set up should look similar to the picture above.

DATE: 05-SEP-2023



Uniparts USA Ltd.
1431, Marvin Griffin Road,
Augusta, GA-30906, USA
Phone: 1-706-868-2388
Fax: 1-706-868-4168
technicalsupport@usa.unipartsgroup.com

