

Product Name:	Modern White Wood 6-Drawer Dresser
SKU #:	WHIF1829


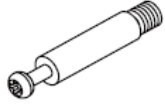










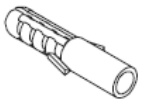







Thank you for purchasing this LuxenHöme product. This product has been manufactured with the highest standards of safety and quality.

PLEASE READ ALL INSTRUCTIONS BEFORE ASSEMBLY.

Unpack all parts from the packaging inside the carton to ensure there are no missing or damaged parts. Do not attempt to assemble or use the product if any parts are missing or damaged.

CARTON CONTENTS:

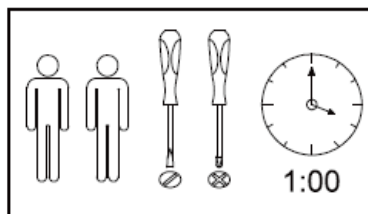
Hardware:

Ⓐx52	Ⓑx52	Ⓒx20	Ⓓx2	Ⓔx4
		 M6x30	 M6x60	 M6x60
Ⓕx32	Ⓖx48	Ⓗx4	Ⓘx2	Ⓙx4
 M4x30	 M3x12			
Ⓚx6	Ⓛx2	Ⓜx 2	Ⓞx8	Ⓟx8
 M4x35	 M4x12			 M3x14
Ⓠx5	Ⓦx6	Ⓡx6	Ⓢx6	Ⓣx6
				

Product Name:	Modern White Wood 6-Drawer Dresser
SKU #:	WHIF1829

Panels:

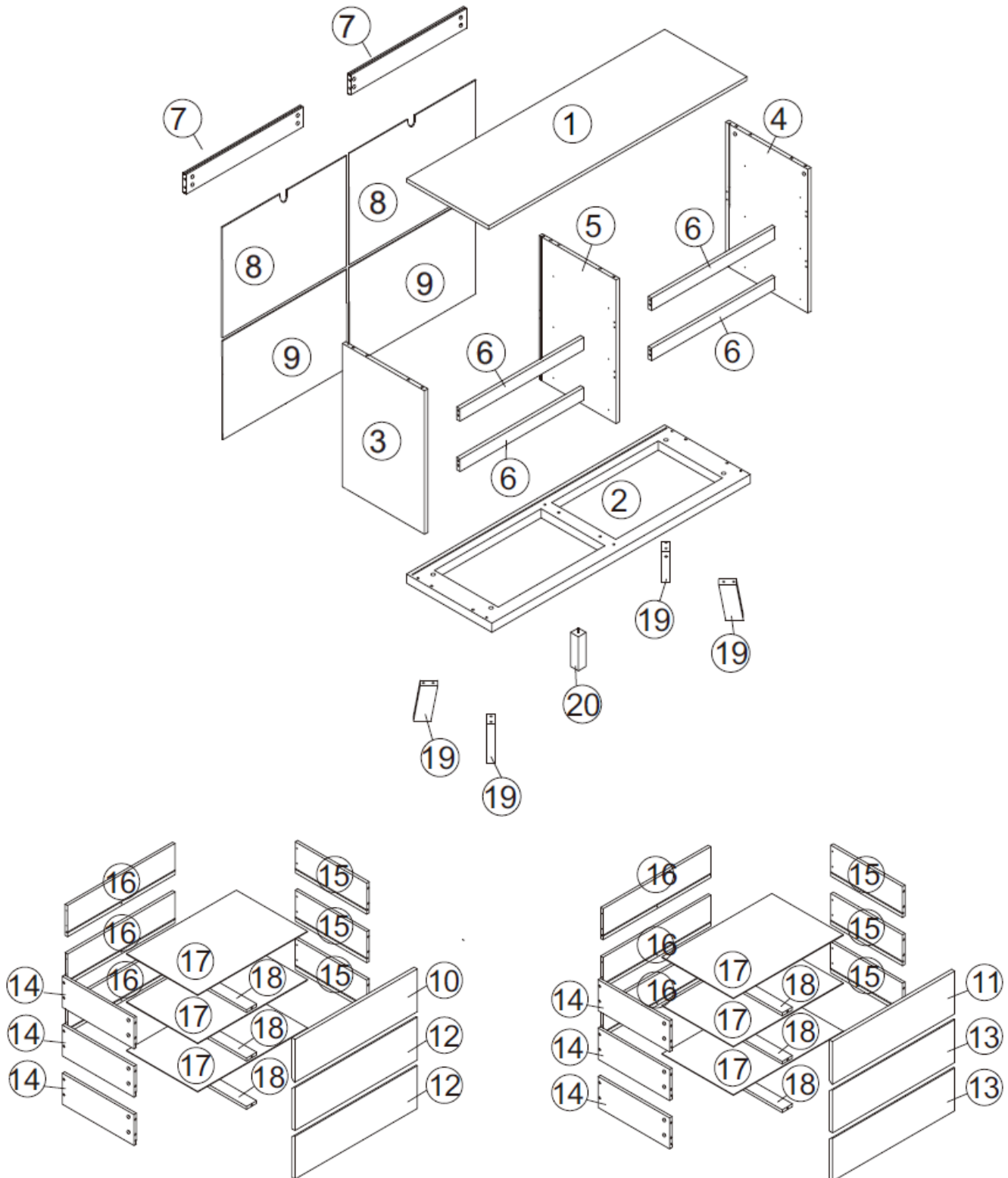
① x1	② x1	③ x1	④ x1	⑤ x1
⑥ x4	⑦ x2	⑧ x2	⑨ x2	⑩ x1
⑪ x1	⑫ x2	⑬ x2	⑭ x6	⑮ x6
⑯ x6	⑰ x6	⑱ x6	⑲ x4	⑳ x1



Tools required for assembly: Philips screwdriver and flathead screwdriver (if using power tools, use with care).





Product Name:	Modern White Wood 6-Drawer Dresser
SKU #:	WHIF1829

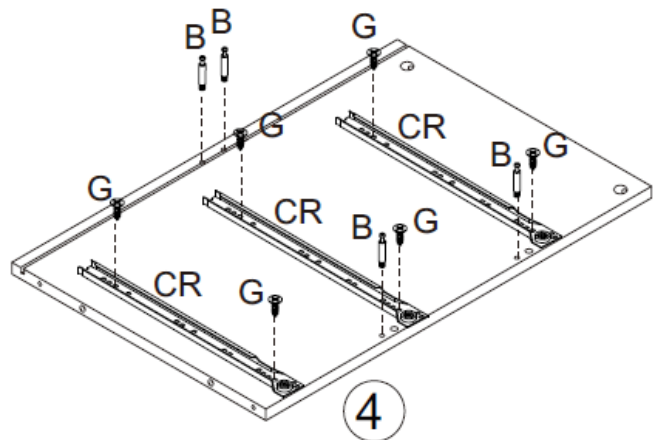
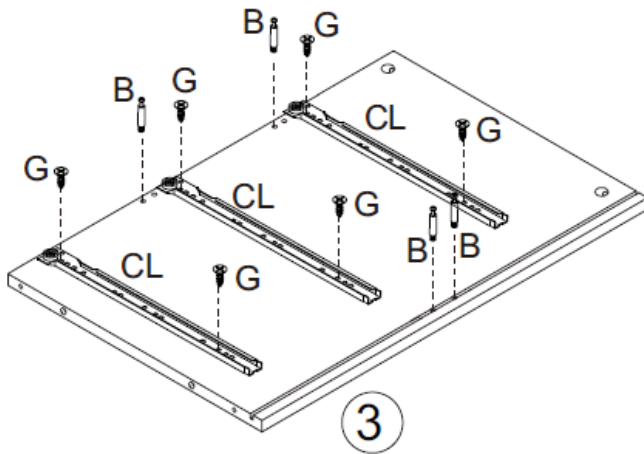
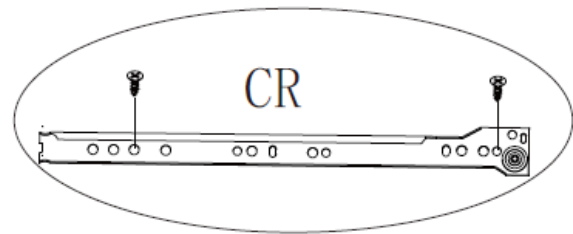
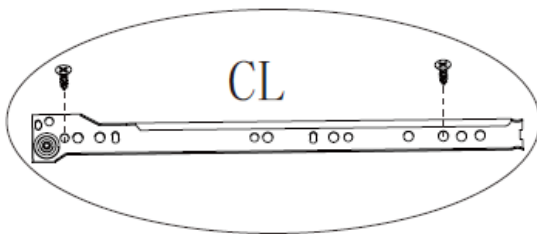
Assembly Illustration:



Product Name:	Modern White Wood 6-Drawer Dresser
SKU #:	WHIF1829





Step 1 – Attach hardware CL to panel 3 using hardware G. Insert hardware B into panel 3. Attach hardware CR to panel 4 using hardware G. Insert hardware B into panel 4.

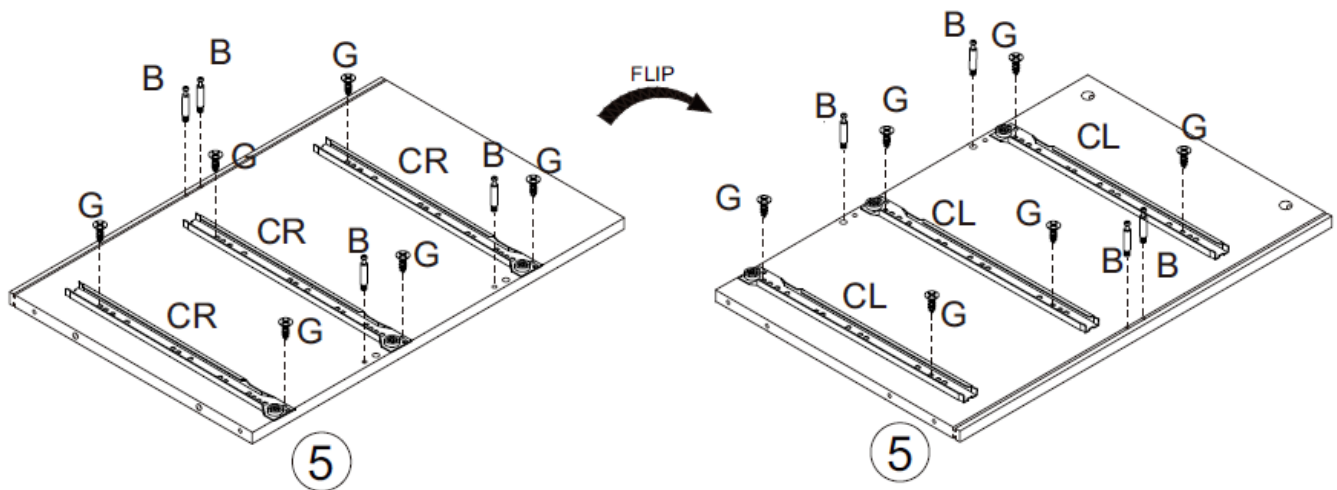
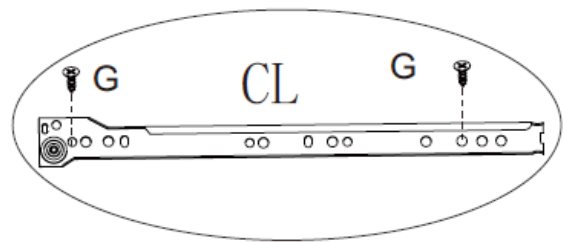
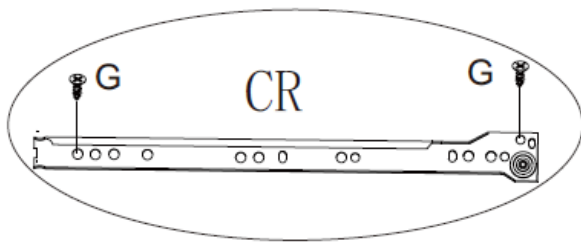
B x8	G x12	CL x3	CR x3
			



Product Name:	Modern White Wood 6-Drawer Dresser
SKU #:	WHIF1829



Step 2: Attach hardware CR to panel 5 using hardware G. Insert hardware B into panel 5. Flip panel 5 over and attach hardware CL to panel 5 using hardware G. Insert hardware B into panel 5.

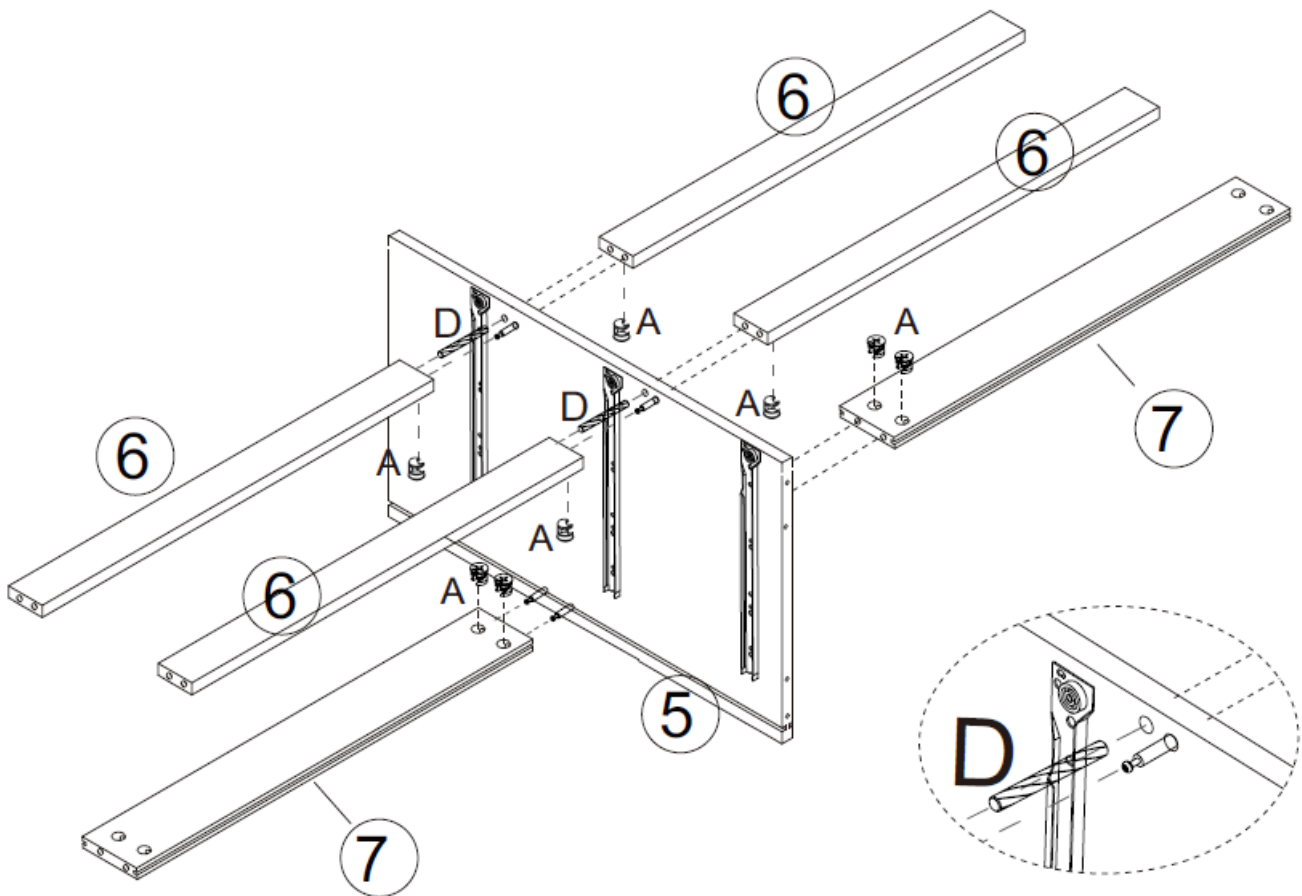
ⓑx8	ⓐx12	ⓒx3	Ⓨx3
			



Product Name:	Modern White Wood 6-Drawer Dresser
SKU #:	WHIF1829



Step 3: Attach panels 6 to panel 5 using hardware D. Attach panels 7 to panel 6 by inserting into hardware B and locking in with hardware D.

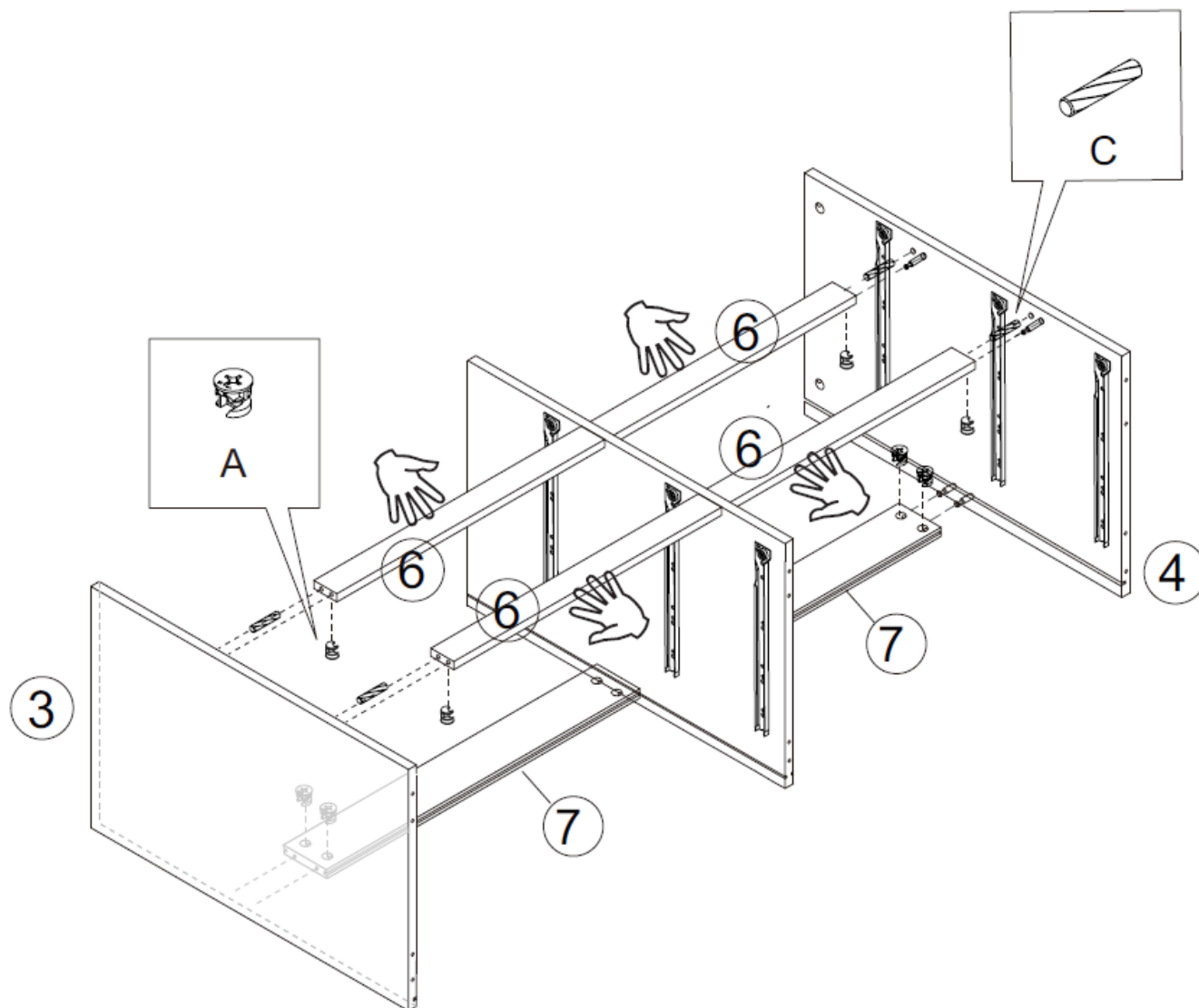
Ax8	Dx2
	



Product Name:	Modern White Wood 6-Drawer Dresser
SKU #:	WHIF1829

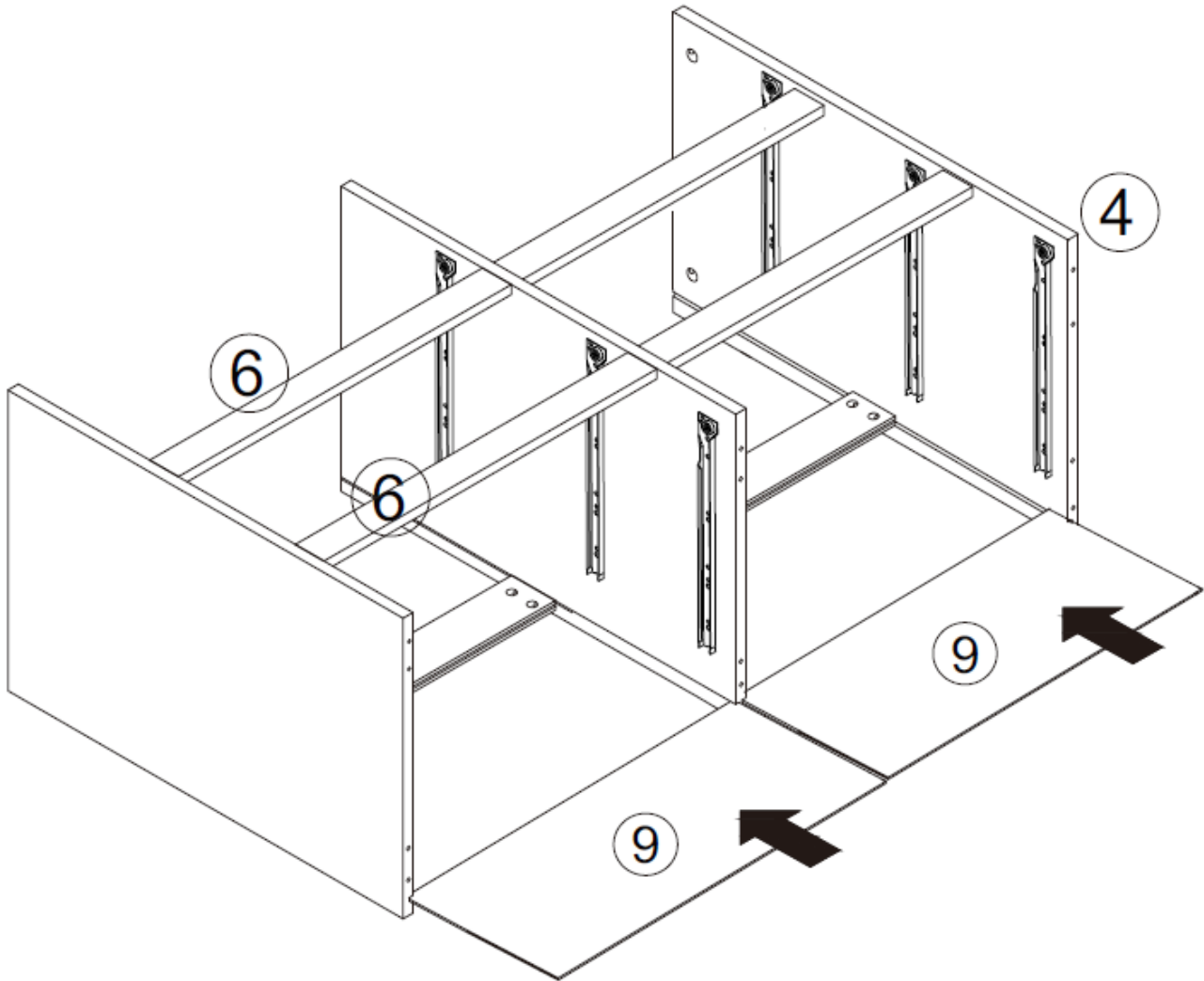
Step 4: Connect panel 3 to the assembled sections of 6, 7, and 5 using hardware C and locking in with hardware A. Connect panel 4 to the assembled sections of 6, 7, and 5 using hardware C and locking in with hardware A.

A x8	C x4
	



Product Name:	Modern White Wood 6-Drawer Dresser
SKU #:	WHIF1829



Step 5: Slide panels 9 into the partially assembled dresser by lining up the grooves of panels 3, 5, and 4.

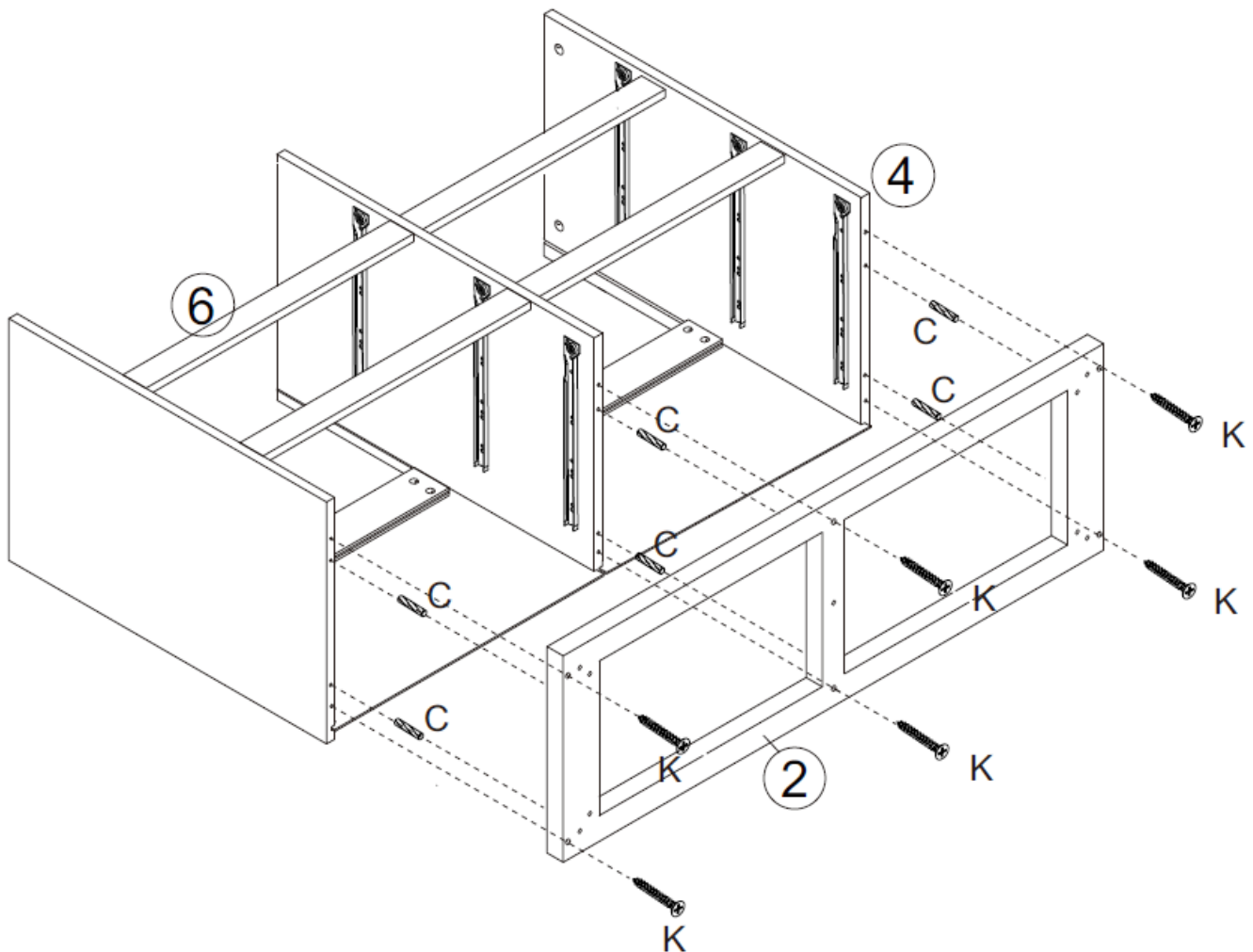


Product Name:	Modern White Wood 6-Drawer Dresser
SKU #:	WHIF1829

Step 6: Attach the bottom panel 2 to the bottom of the partially assembled dresser using hardware C and K.





Tools:

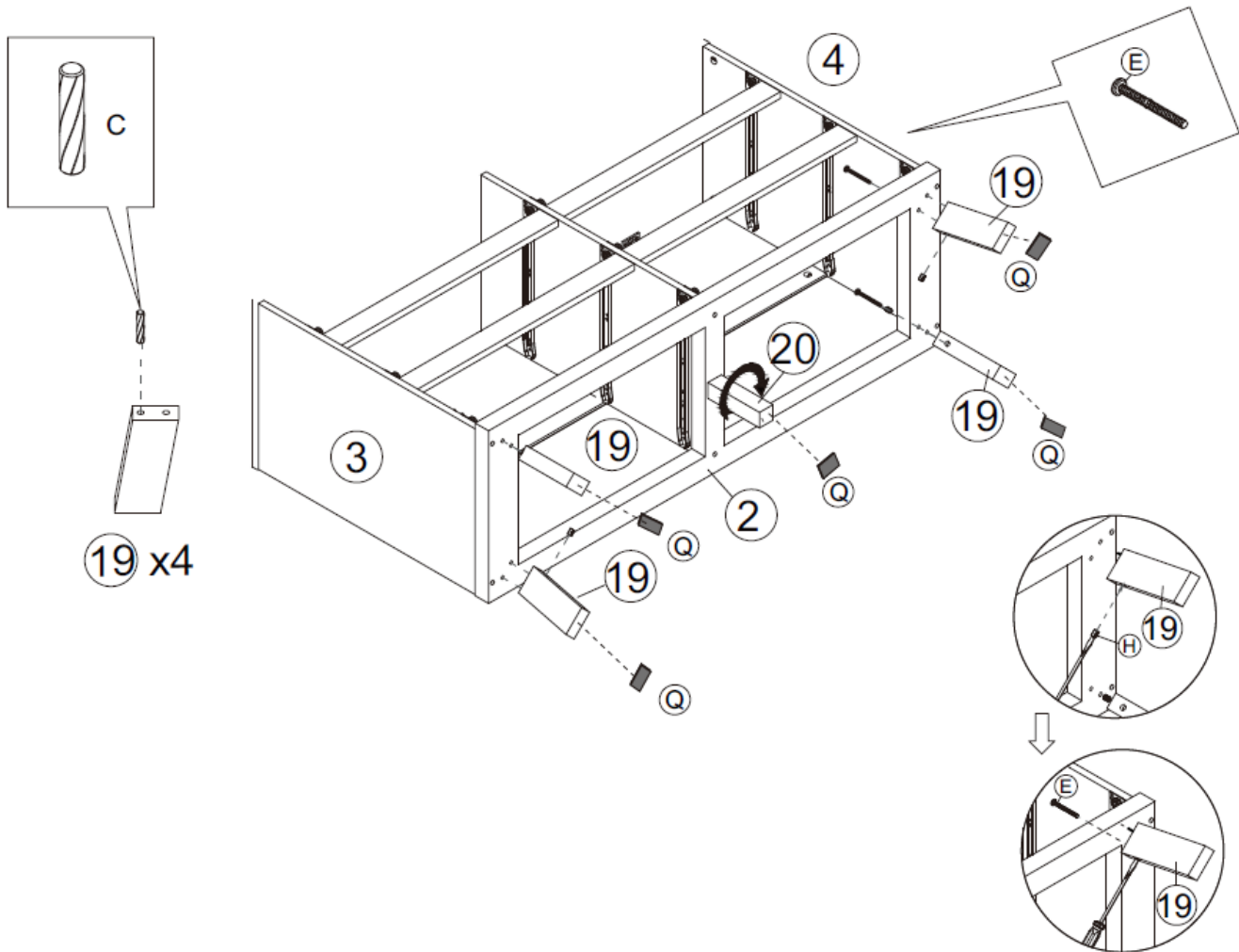
Cx6	Kx6
	



Product Name:	Modern White Wood 6-Drawer Dresser
SKU #:	WHIF1829

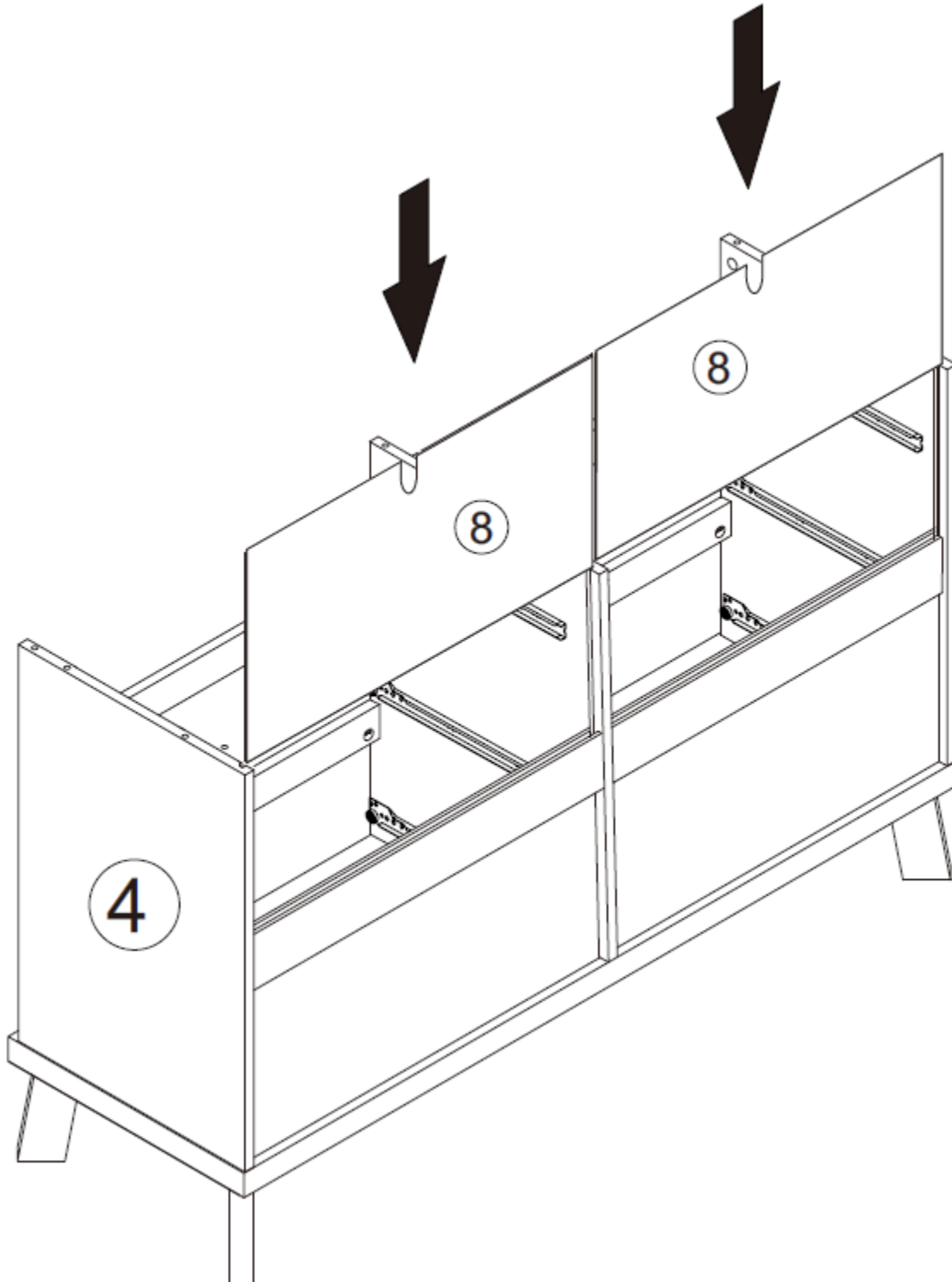
Step 7: Insert hardware dowel C into the legs 19, and insert the legs 19 into the 4 corners of the dresser. Secure with hardware E and H. Add hardware Q to the bottom of each leg 19. Attach leg 20 to the center of the dresser and attach hardware Q to the bottom of leg 20.

C x4	E x4	H x4	Q x5
			









Product Name:	Modern White Wood 6-Drawer Dresser
SKU #:	WHIF1829

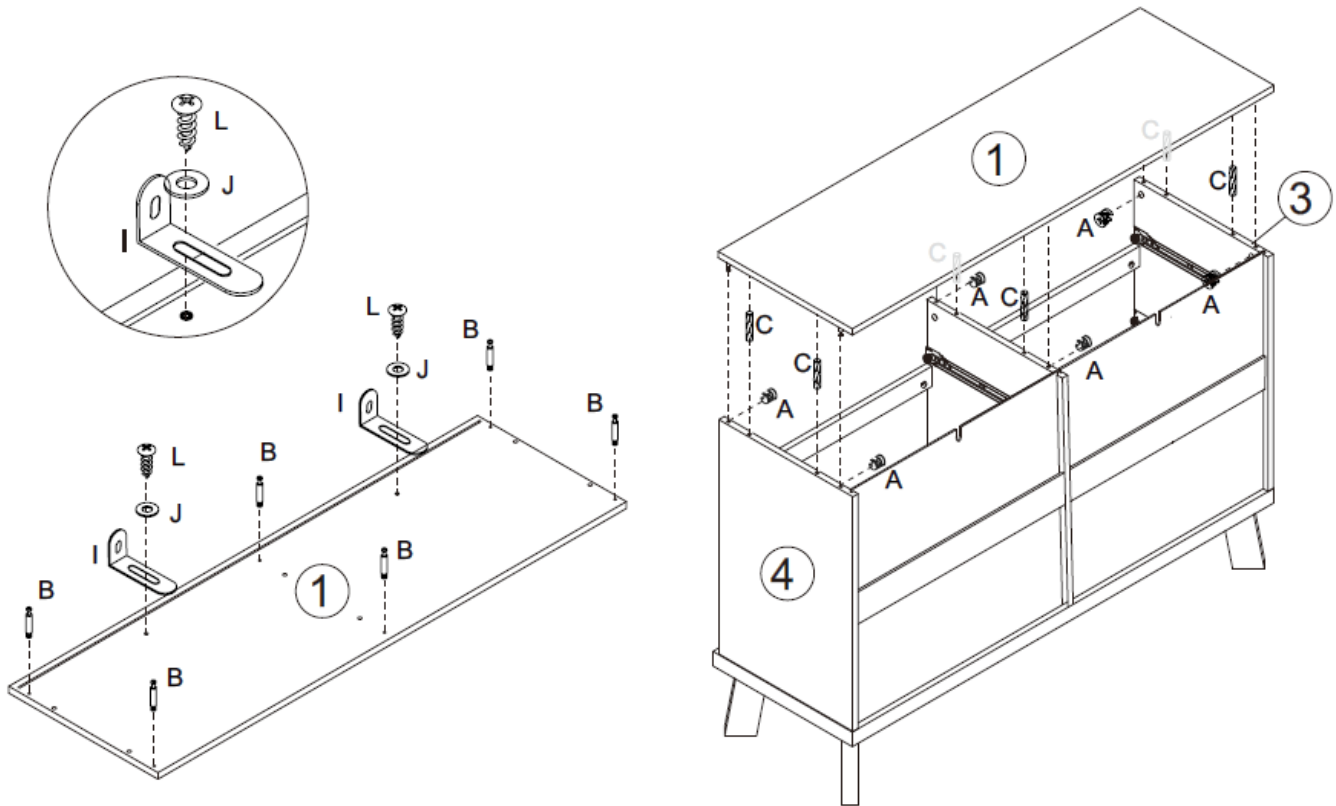
Step 8: Carefully flip the dresser upright. Slide panels 8 into the back of the dress by lining up with the grooves in panels 3, 5, and 4.



Product Name:	Modern White Wood 6-Drawer Dresser
SKU #:	WHIF1829



Step 9: Add hardware J to the underside of panel 1 using hardware L and J. Insert hardware B into the underside of panel 1. Insert hardware C dowel into the top of panels 3, 5, and 4. Flip the panel 1 right side up and attach it to the dresser by lining up the holes and inserting the hardware C dowel. Lock with hardware A.

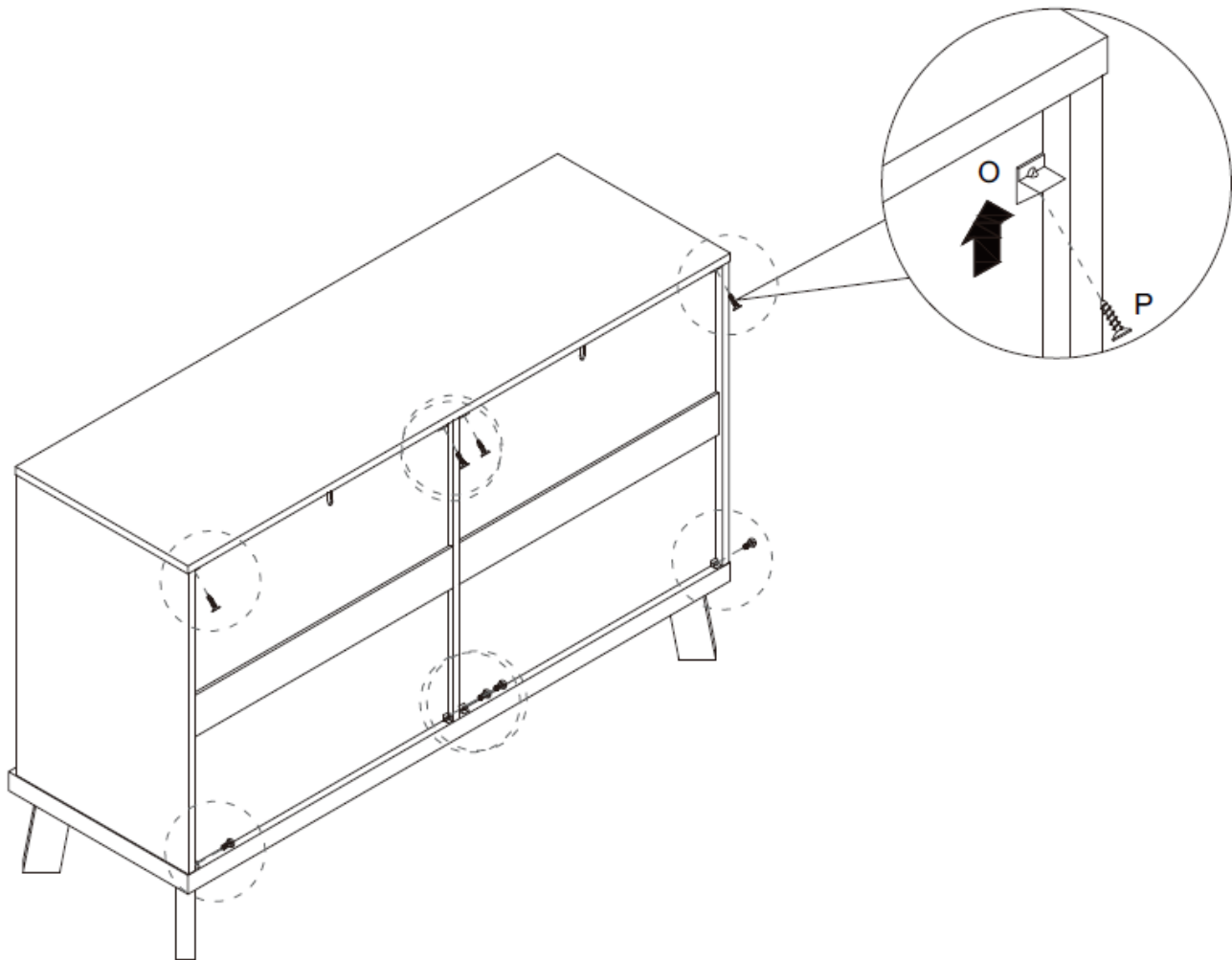
Ⓐ x6	Ⓑ x6	Ⓒ x6	Ⓘ x2	Ⓙ x2	Ⓛ x2
					



Product Name:	Modern White Wood 6-Drawer Dresser
SKU #:	WHIF1829

Step 10: To stabilize the dresser body, lock hardware O at the 8 corners of the dresser backboard with hardware P.

○ x8	Ⓟ x8
	








Instruction Manual

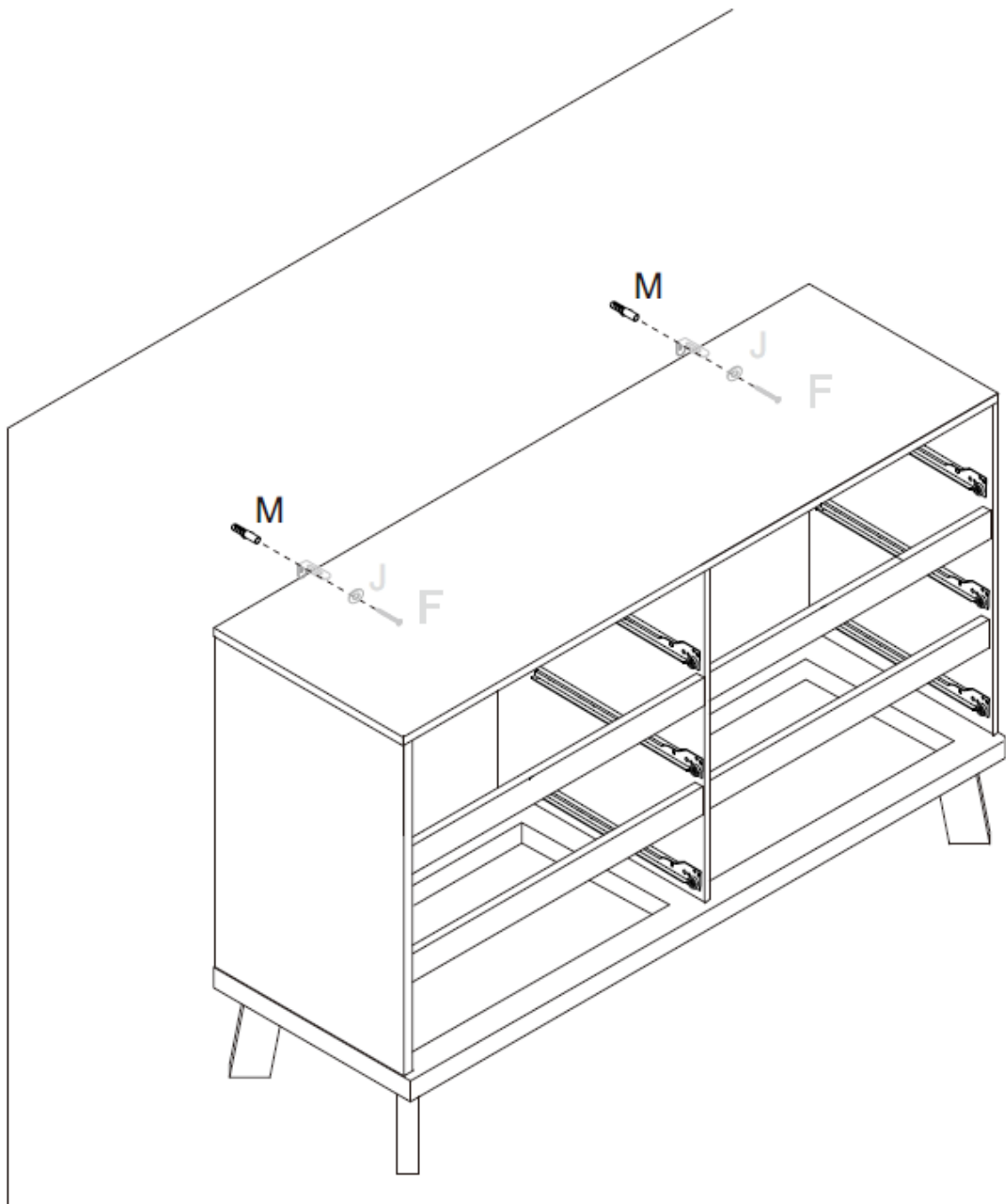
Please save this manual for future reference.

Product Name:	Modern White Wood 6-Drawer Dresser
SKU #:	WHIF1829

Step 11: For additional stability, secure the dresser to the wall using hardware F, J, and M.

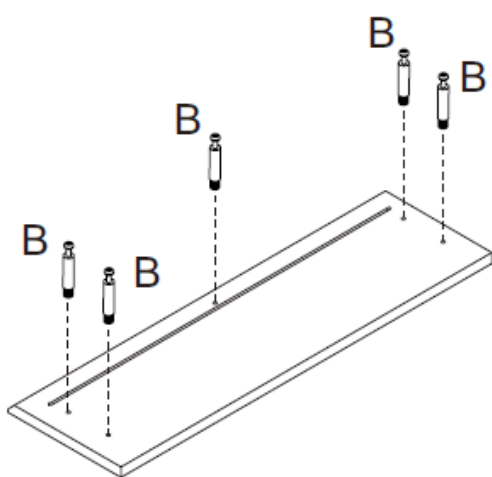
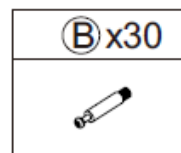
Product Name:	Modern White Wood 6-Drawer Dresser
SKU #:	WHIF1829

ⓕx2	ⓐx2	Ⓜx2
		

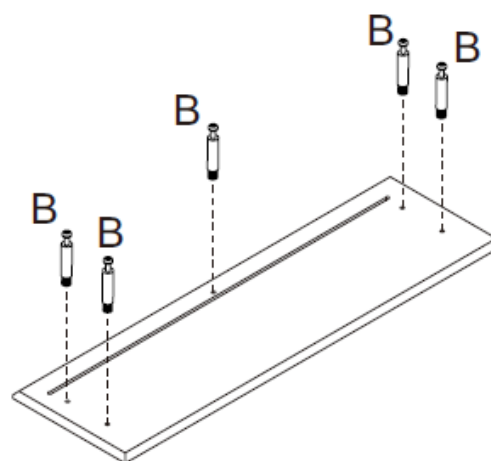


Product Name:	Modern White Wood 6-Drawer Dresser
SKU #:	WHIF1829

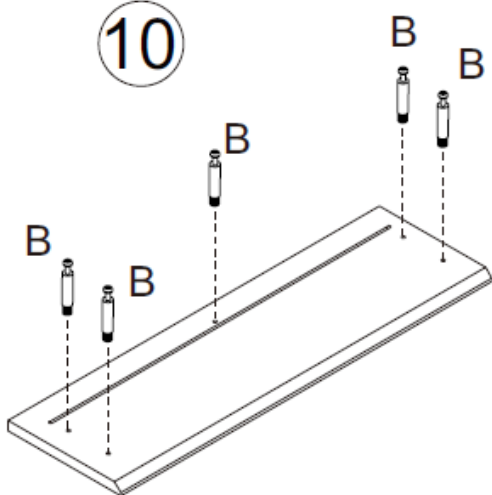
Step 12: Assemble the drawers. Insert hardware B into drawer panels 10, 11, 12, and 13.



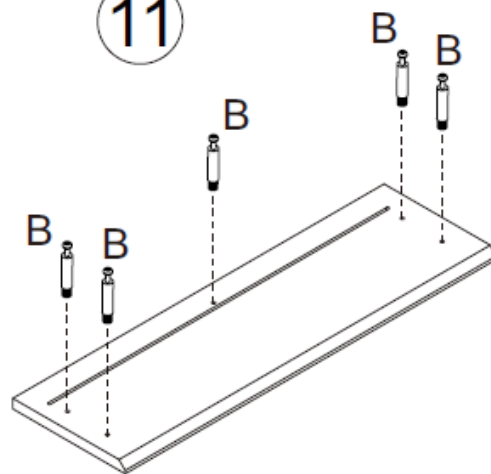
10



11



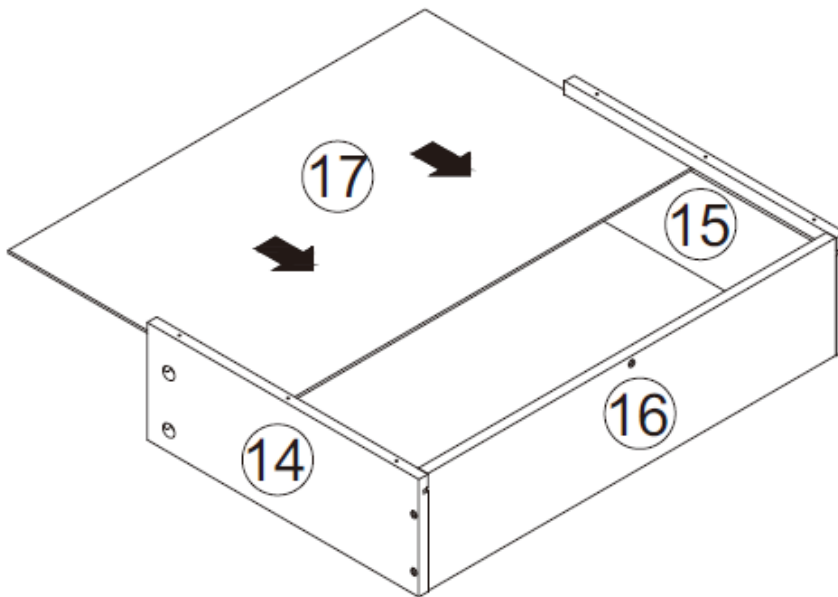
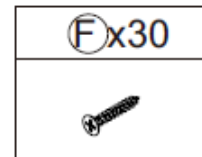
12 X 2



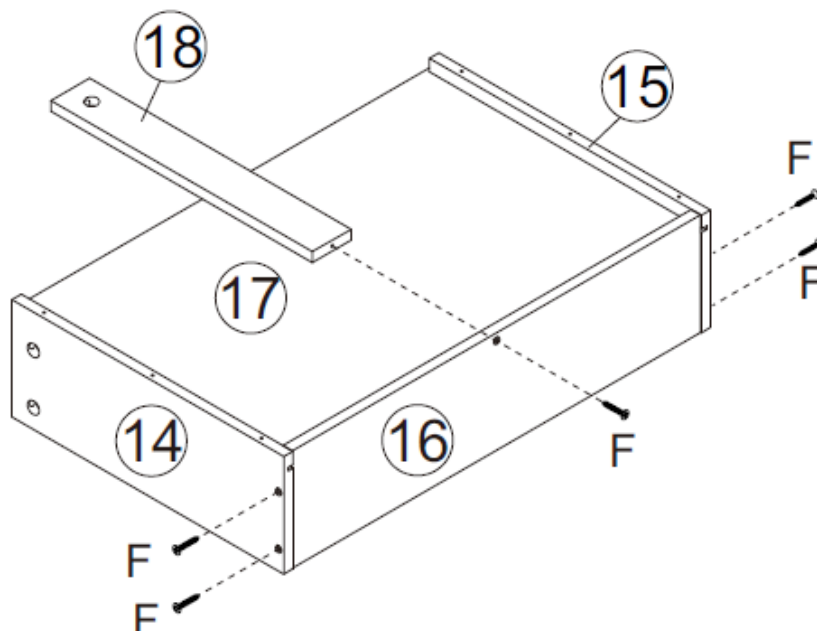
13 X 2

Product Name:	Modern White Wood 6-Drawer Dresser
SKU #:	WHIF1829

Step 13: Assemble the drawer body by connecting panels 14 and 15 to panel 16 using hardware F. Slide in the drawer panel 17 by lining up the grooves in panels 14 and 15 until it fits into the groove of panel 16. Attach panel 18 to the partially assembled drawer using hardware F. Repeat this step for each drawer (6 times).

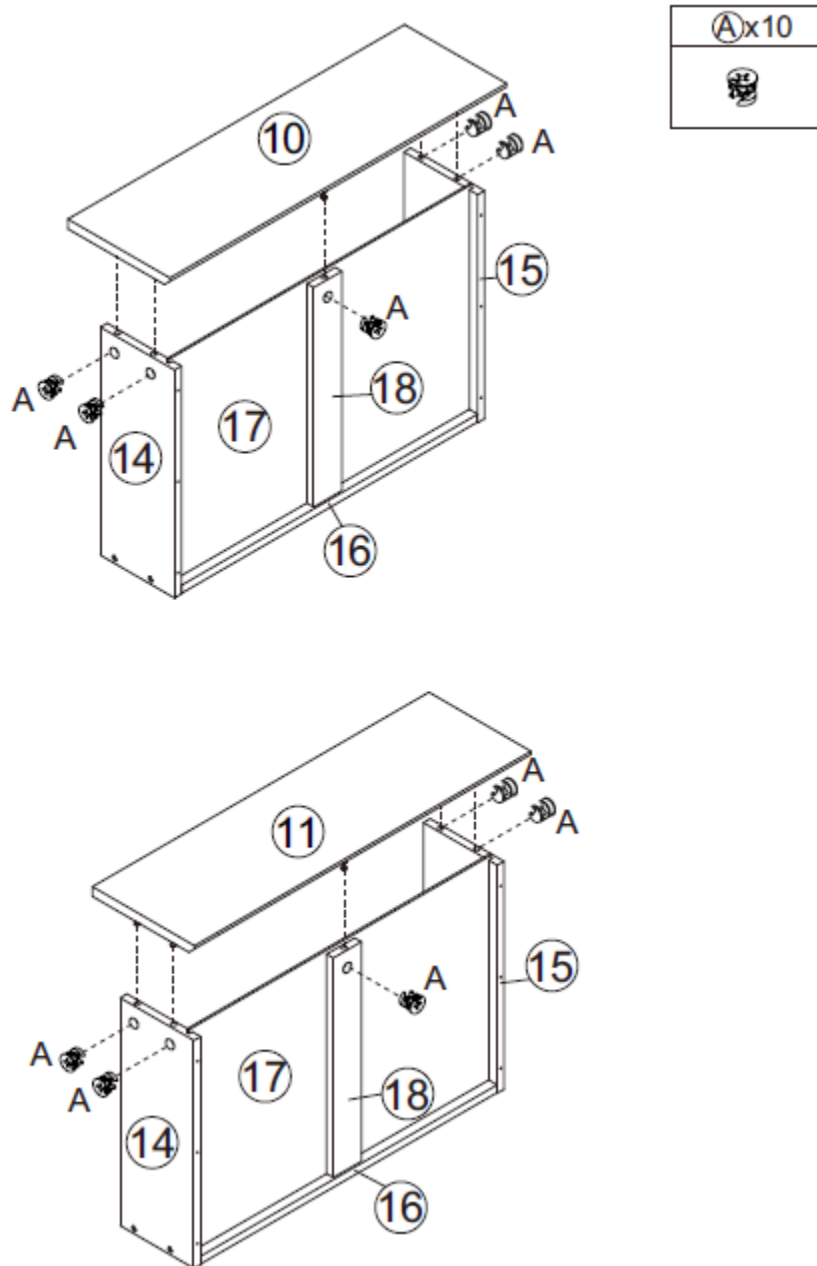


X 6



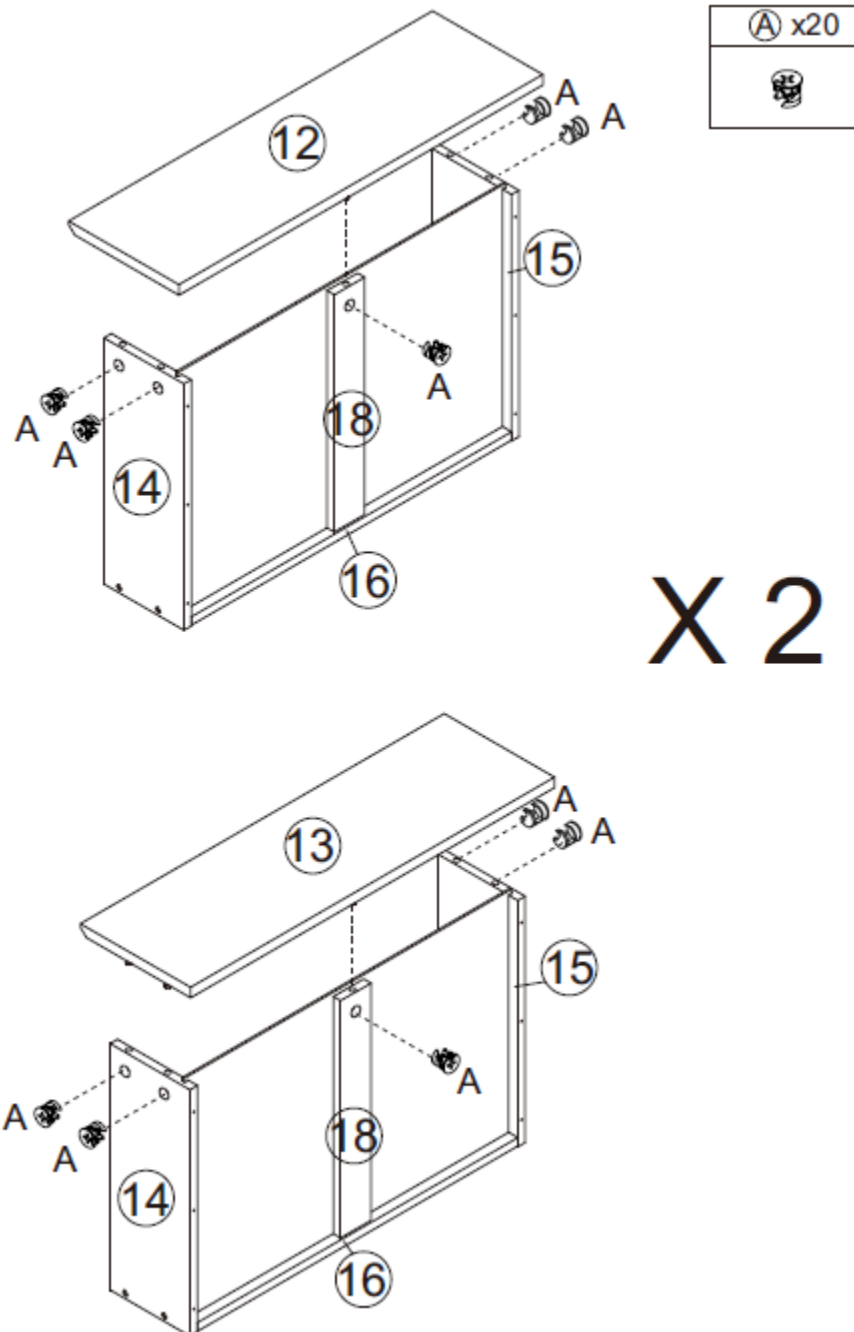
Product Name:	Modern White Wood 6-Drawer Dresser
SKU #:	WHIF1829

Step 14: Attach the drawer front 10 to 1 drawer locking in with hardware A. Attach the drawer front 11 to 1 drawer locking in with hardware A.



Product Name:	Modern White Wood 6-Drawer Dresser
SKU #:	WHIF1829

Step 15: Attach the drawer front 12 to 2 drawers locking in with hardware A. Attach the drawer front 13 to 2 drawers locking in with hardware A.

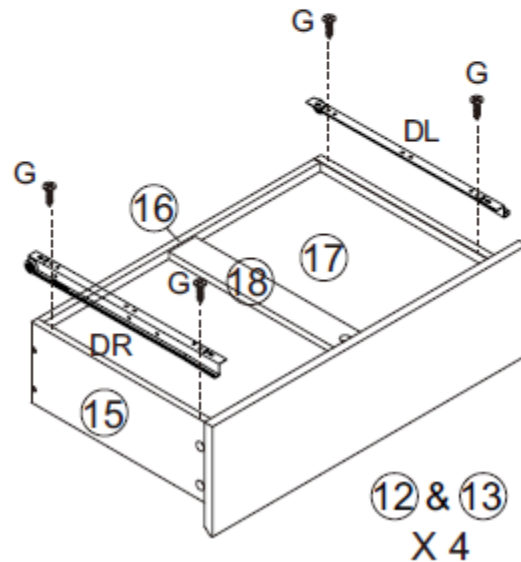
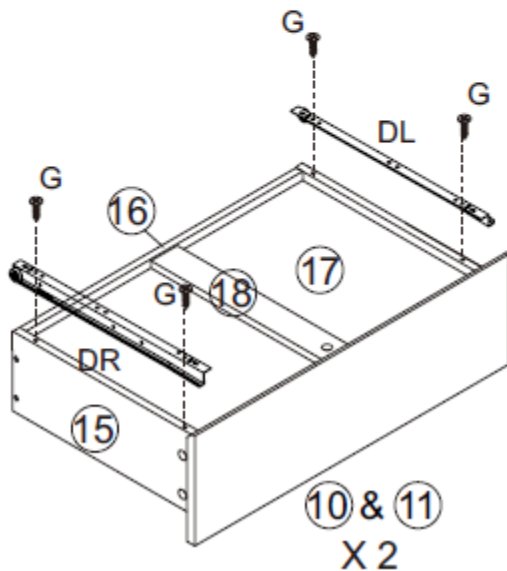


Product Name:	Modern White Wood 6-Drawer Dresser
SKU #:	WHIF1829

Step 16: Attach hardware DR to the underside of each drawer using hardware G. Attached DL to the underside of each drawer using hardware G. When flipping the drawer right upside up, with the drawer front facing you, DR will be on the right side of the drawer, and DL will be on the left side of the drawer.

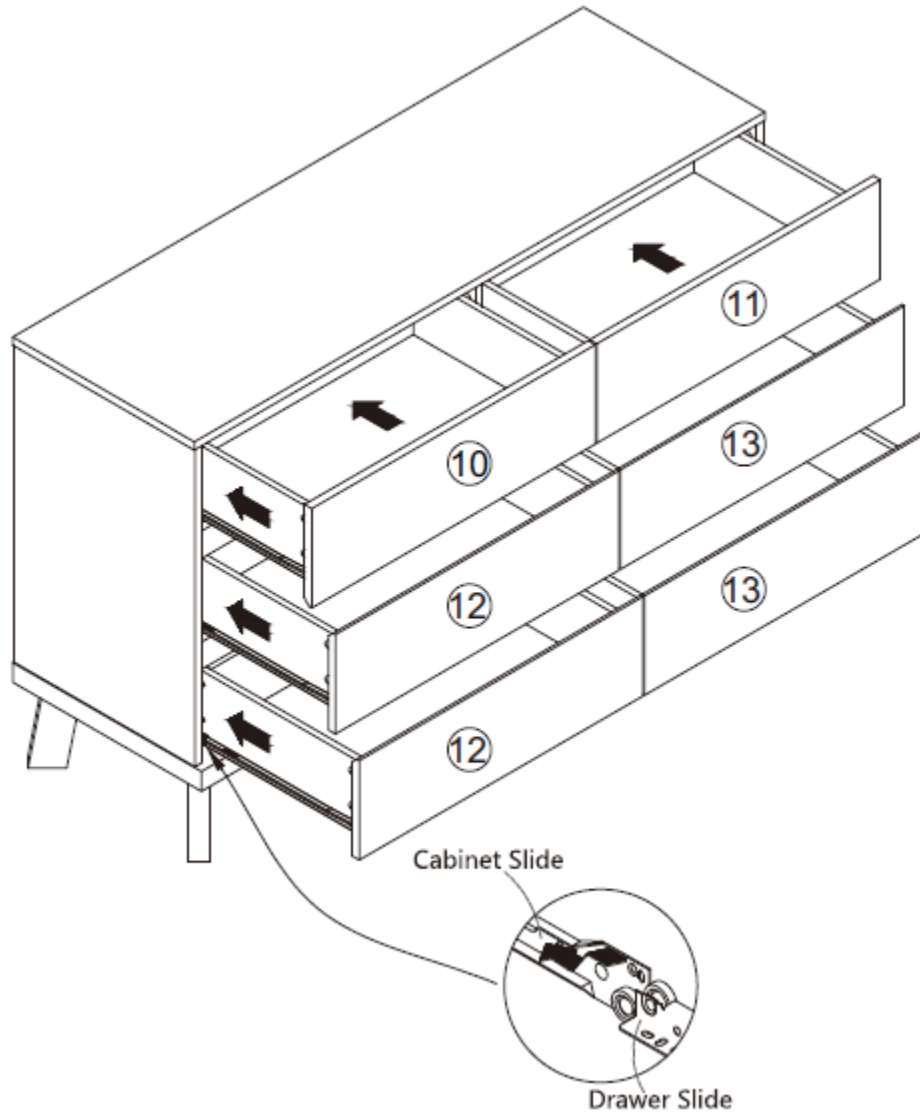
G x24	DL x6	DR x6
		

Drawers x6



Product Name:	Modern White Wood 6-Drawer Dresser
SKU #:	WHIF1829

Step 17: Insert the drawers into the chest by connecting the dresser slide with the drawer slide.



Warning: DO NOT sit or stand on the dresser as this may damage the product and cause serious bodily injury.