

Product Name:	White Oak Finish Wood and Rattan 1-Door 4-Drawer Storage Cabinet
SKU #:	WHIF1827












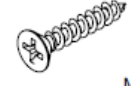







Thank you for purchasing this LuxenHöme product. This product has been manufactured with the highest standards of safety and quality.

PLEASE READ ALL INSTRUCTIONS BEFORE ASSEMBLY.

Unpack all parts from the packaging inside the carton to ensure there are no missing or damaged parts. Do not attempt to assemble or use the product if any parts are missing or damaged.

CARTON CONTENTS:

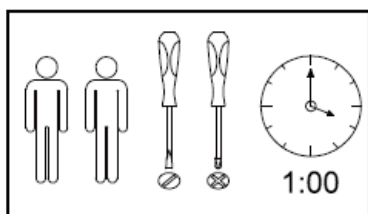
Hardware –

Ⓐ x28	Ⓑ x28	Ⓒ x18	Ⓓ x18	Ⓔ x8	Ⓕ x8	Ⓖ x8
			 M3*12		 M4*10	 M4*35
Ⓗ x5	Ⓘ x12	Ⓙ x2	Ⓚ x5	Ⓛ x16	Ⓜ x2	Ⓝ x4
 M4*20	 M4*14			 M4*30	 M4*12	
Ⓞ x2	Ⓟ x2	Ⓠ x1	Ⓡ x12	Ⓢ x12		
				 M3*14		

Product Name:	White Oak Finish Wood and Rattan 1-Door 4-Drawer Storage Cabinet
SKU #:	WHIF1827

Panels –

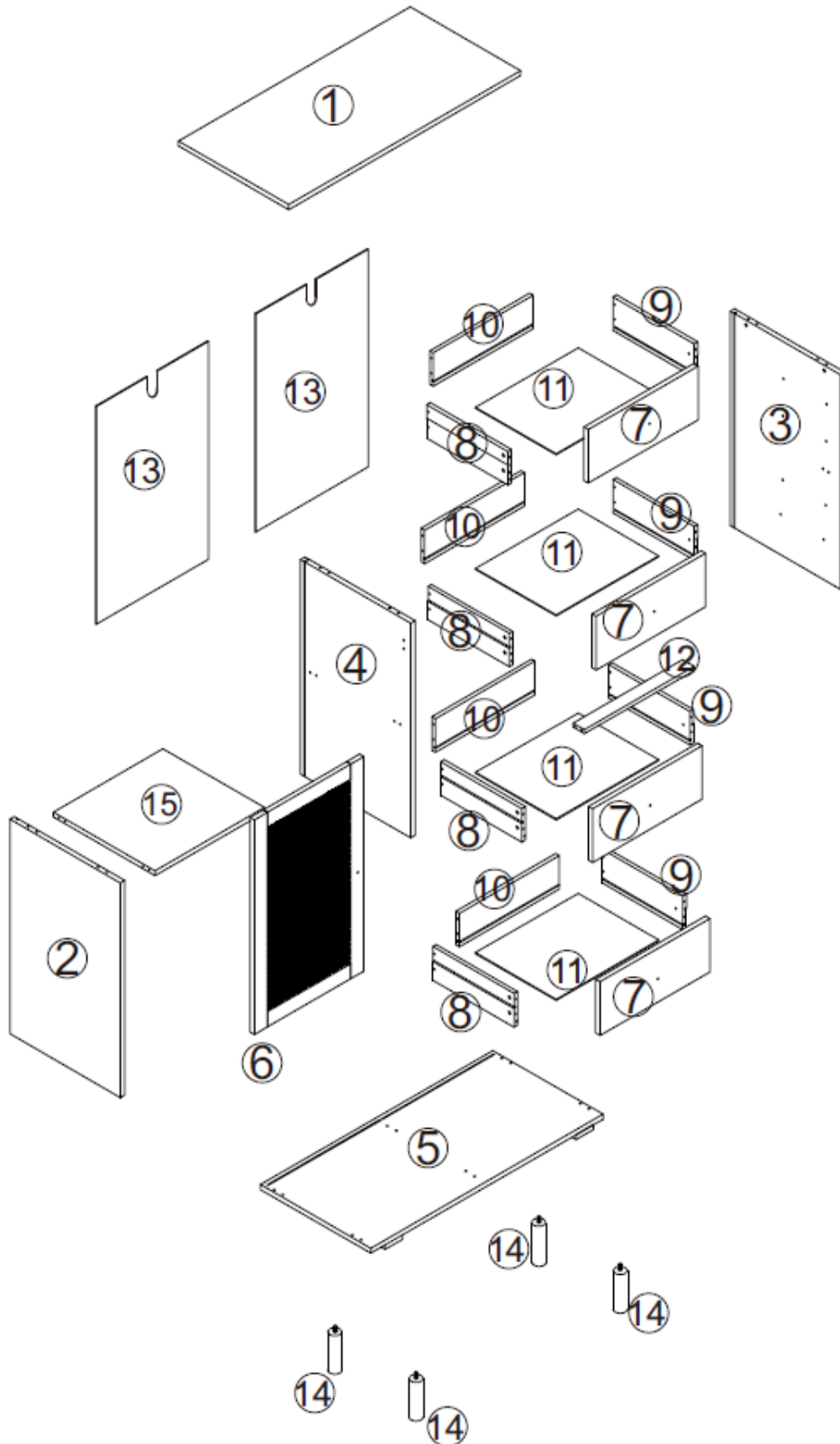
① x1	② x1	③ x1	④ x4	⑤ x1
⑥ x1	⑦ x4	⑧ x4	⑨ x4	⑩ x4
⑪ x4	⑫ x1	⑬ x2	⑭ x4	⑮ x1



Tools required for assembly: Philips screwdriver and flathead screwdriver (if using power tools, use with care).

Product Name:	White Oak Finish Wood and Rattan 1-Door 4-Drawer Storage Cabinet
SKU #:	WHIF1827

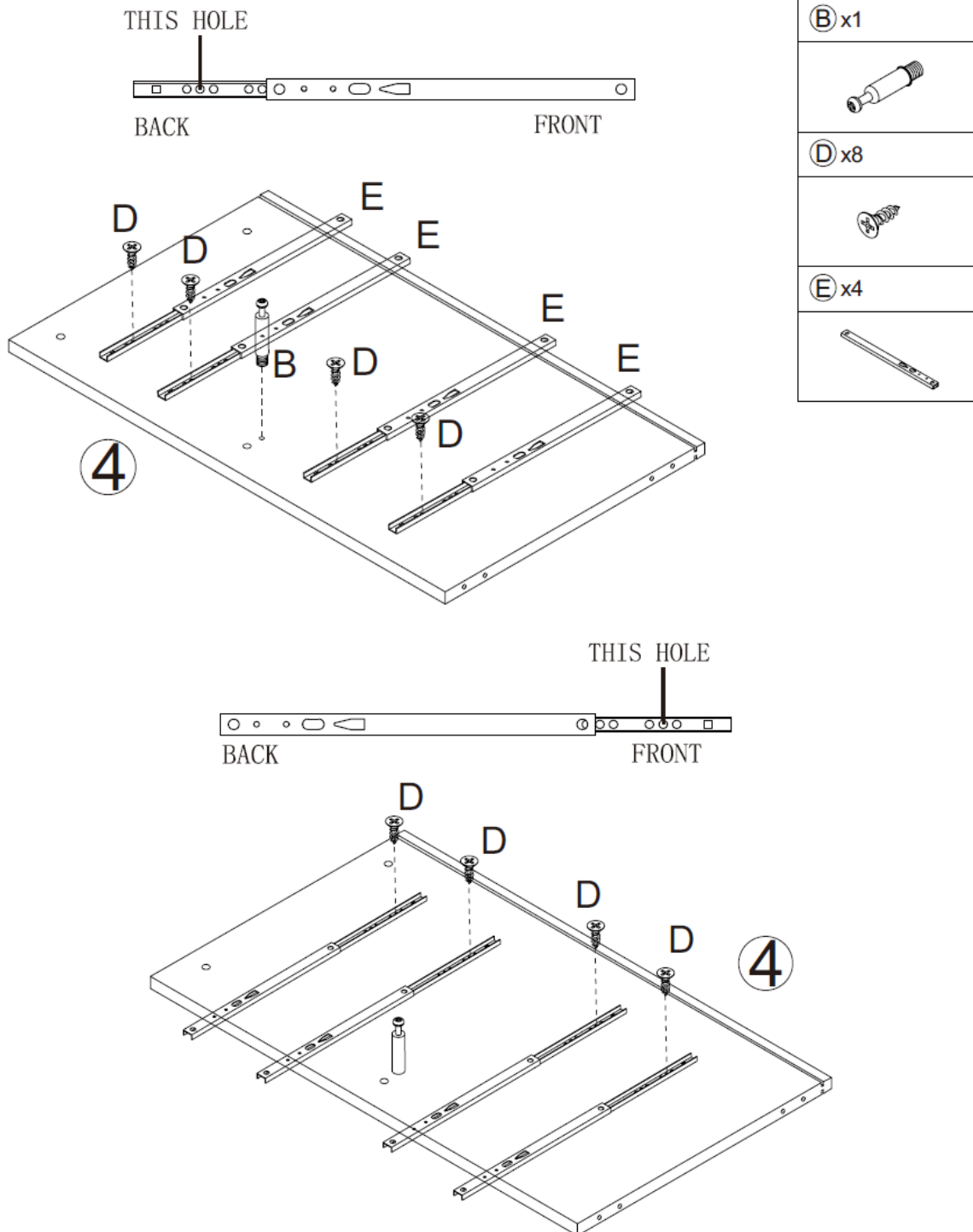
Assembly Illustration:



Product Name:	White Oak Finish Wood and Rattan 1-Door 4-Drawer Storage Cabinet
SKU #:	WHIF1827

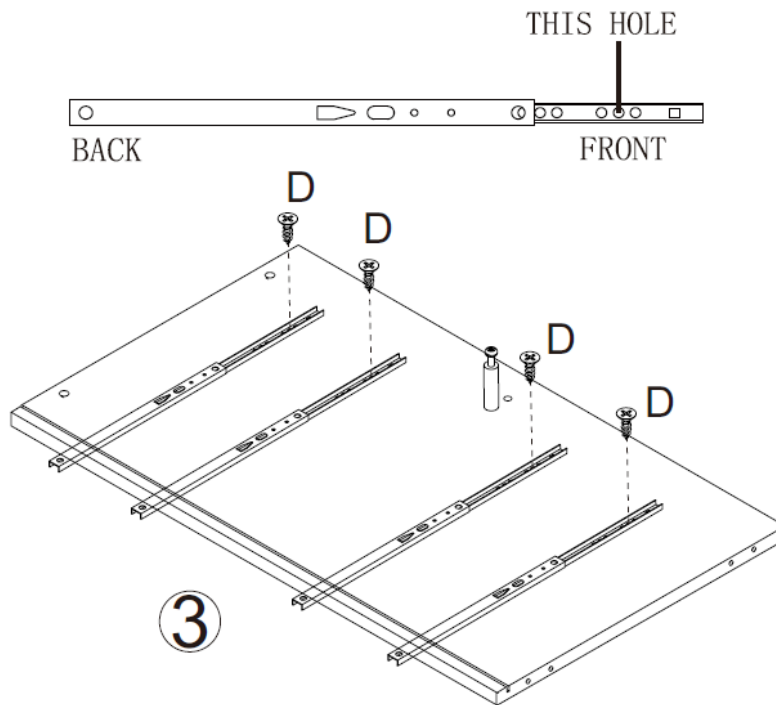
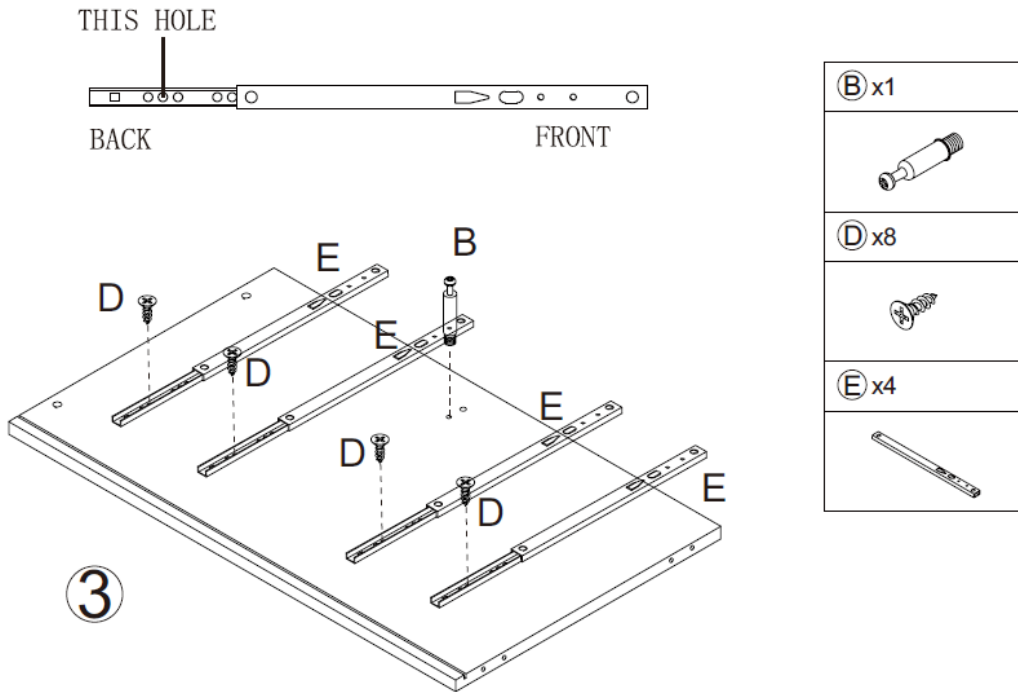
ASSEMBLY INSTRUCTIONS:

Step 1: Screw hardware B into panel 4. Extend hardware E and attach it to panel 4 using hardware D.






Product Name:	White Oak Finish Wood and Rattan 1-Door 4-Drawer Storage Cabinet
SKU #:	WHIF1827

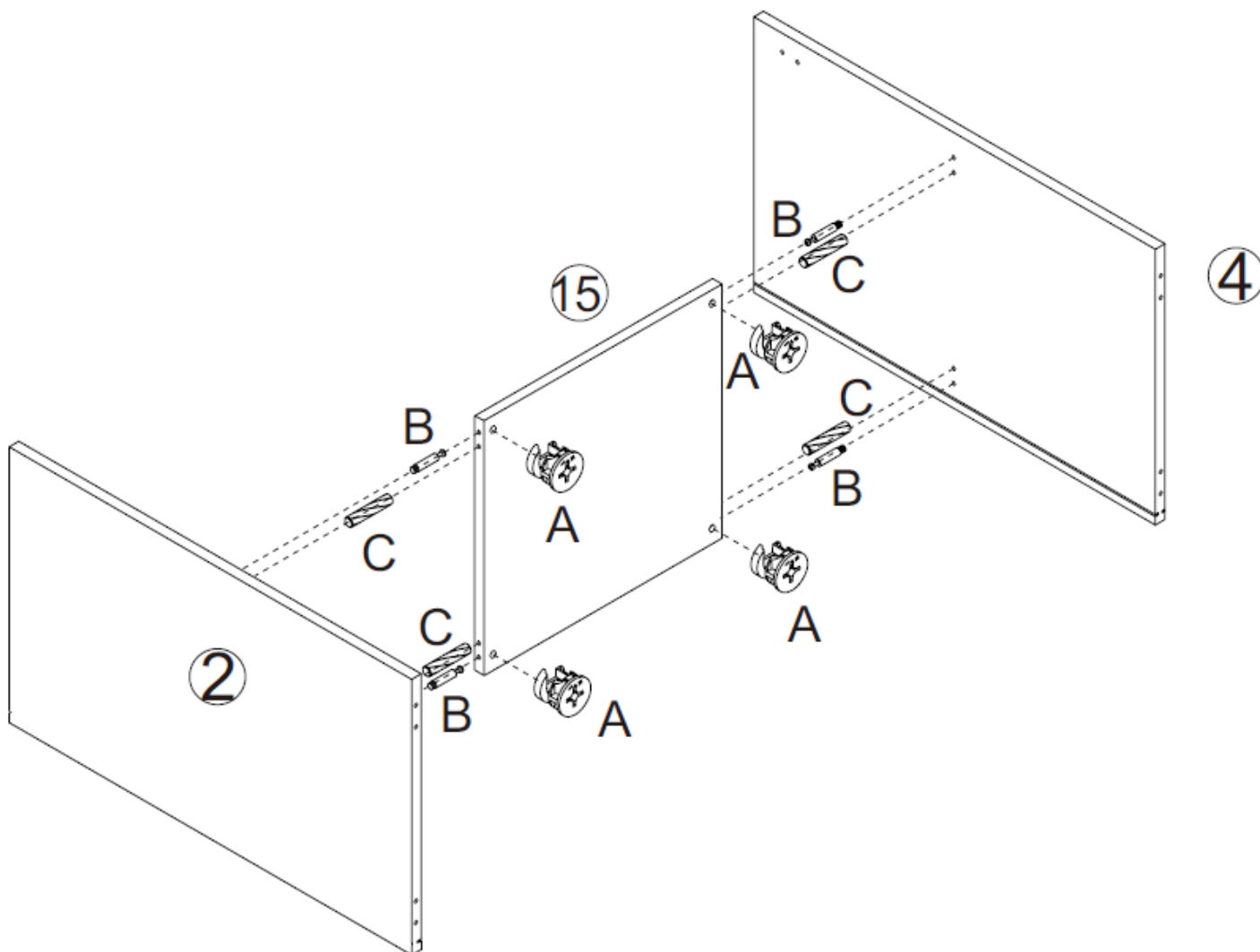
Step 2: Screw hardware B into panel 3. Extend hardware E and attach it to panel 3 using hardware D.



Product Name:	White Oak Finish Wood and Rattan 1-Door 4-Drawer Storage Cabinet
SKU #:	WHIF1827





Step 3: Connect panel 15 to panels 2 and 4 using hardware A, B, and C.

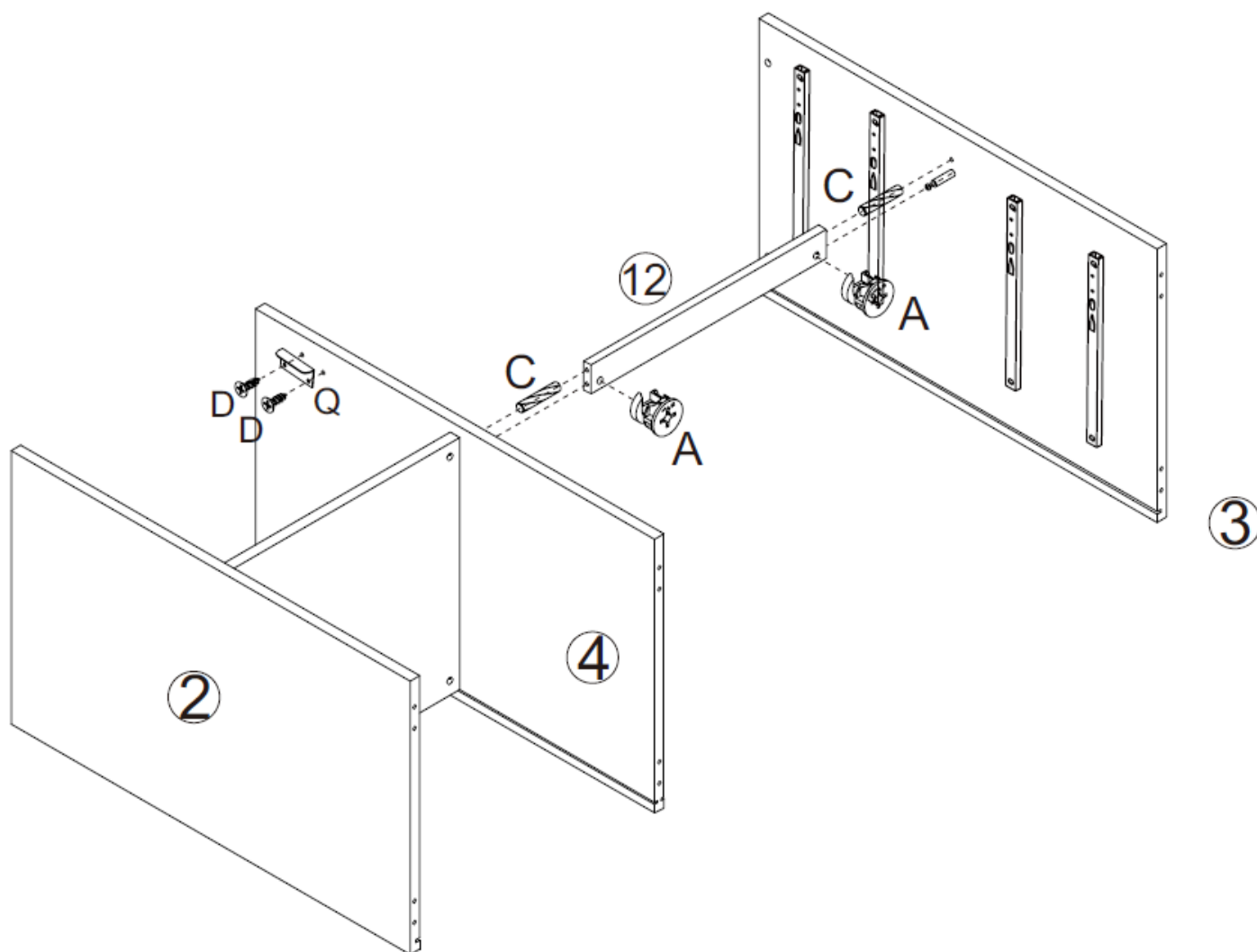
A x4	B x4	C x4
		



Product Name:	White Oak Finish Wood and Rattan 1-Door 4-Drawer Storage Cabinet
SKU #:	WHIF1827

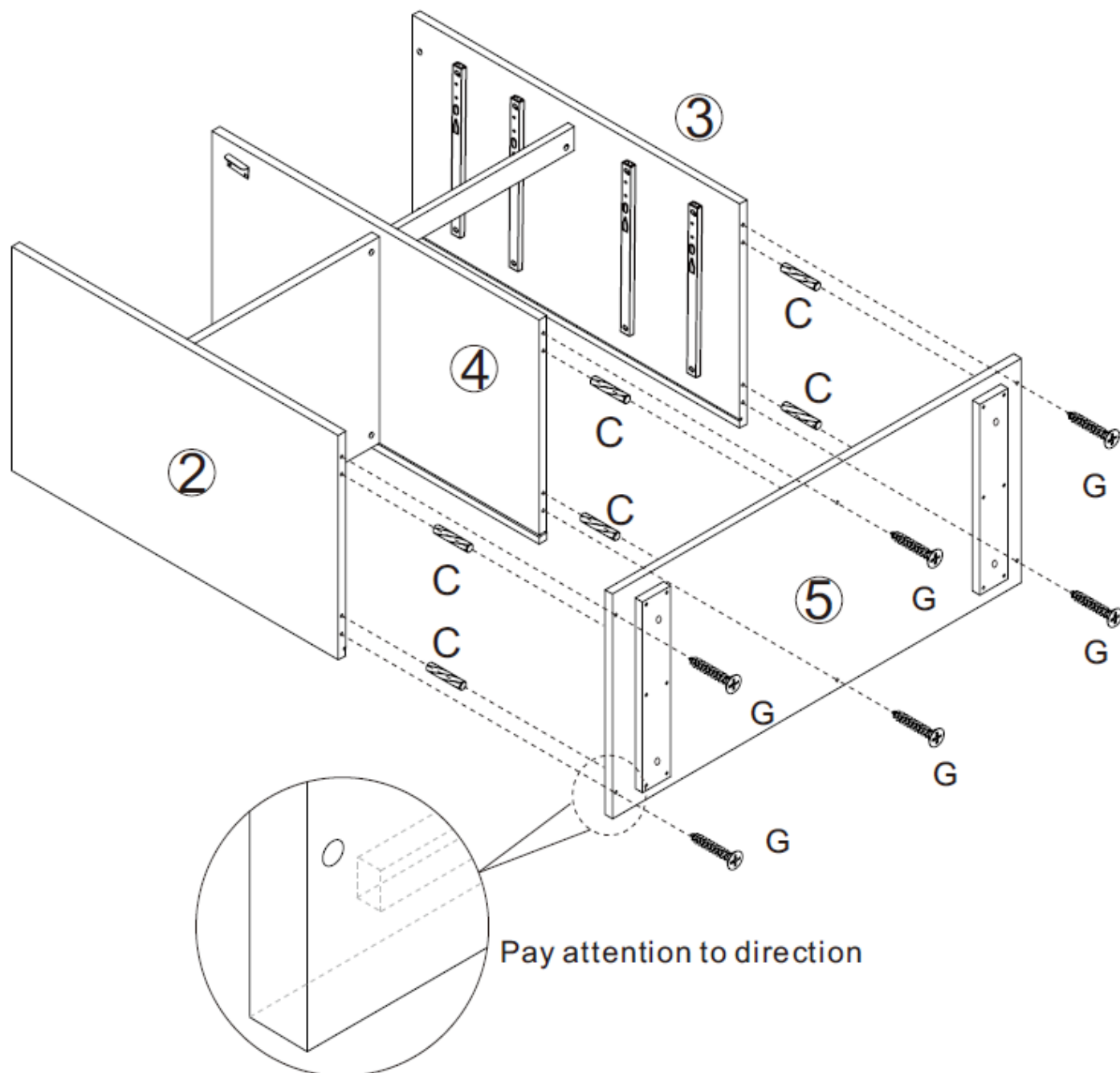
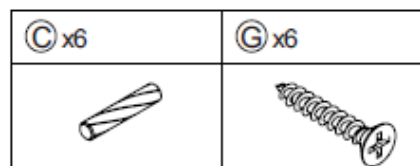
Step 4: Connect panel 12 to panels 3 and 4 with hardware A and C. Attached hardware Q to panel 4 using screw hardware D.

Ⓐ x2	Ⓒ x2	Ⓓ x2	Ⓚ x1
			



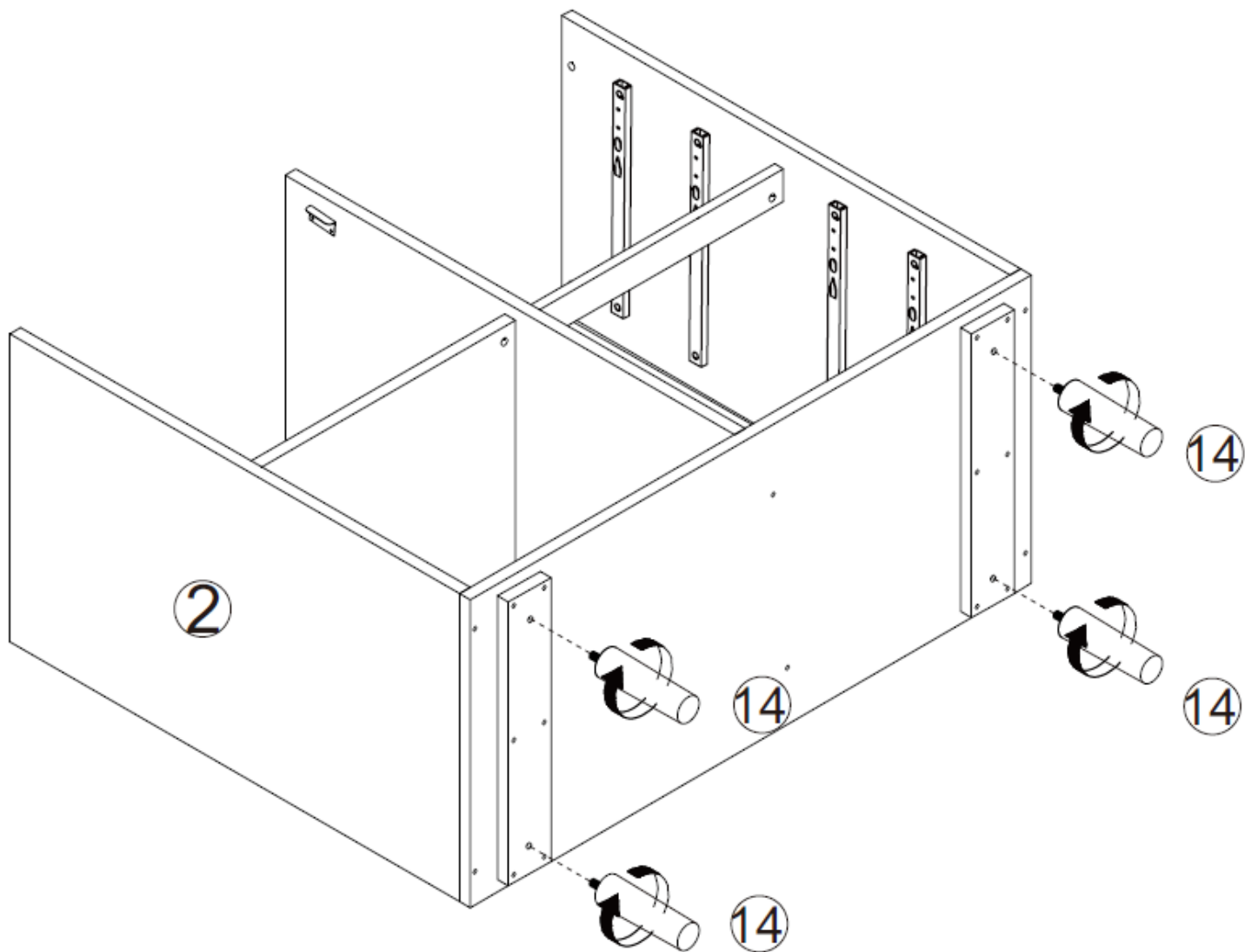
Product Name:	White Oak Finish Wood and Rattan 1-Door 4-Drawer Storage Cabinet
SKU #:	WHIF1827

Step 5: Connect panel 5 to the assembled section of panels 2, 3, and 4 using hardware C and G.



Product Name:	White Oak Finish Wood and Rattan 1-Door 4-Drawer Storage Cabinet
SKU #:	WHIF1827

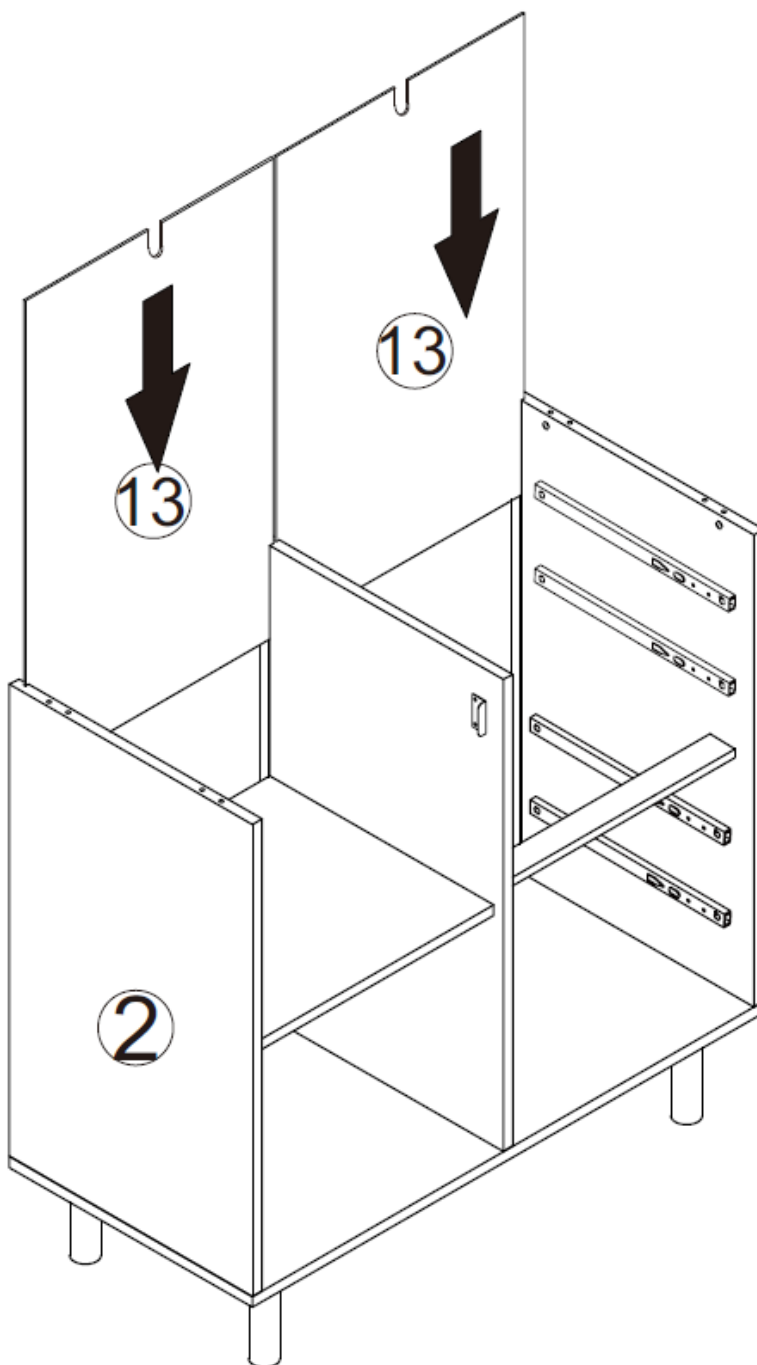
Step 6: Attach legs 14 to the bottom of panel 5.



Product Name:	White Oak Finish Wood and Rattan 1-Door 4-Drawer Storage Cabinet
SKU #:	WHIF1827







Step 7: Carefully flip the cabinet right side up. Slide the back panels 13 into the grooves of panels 2, 4, and 3.

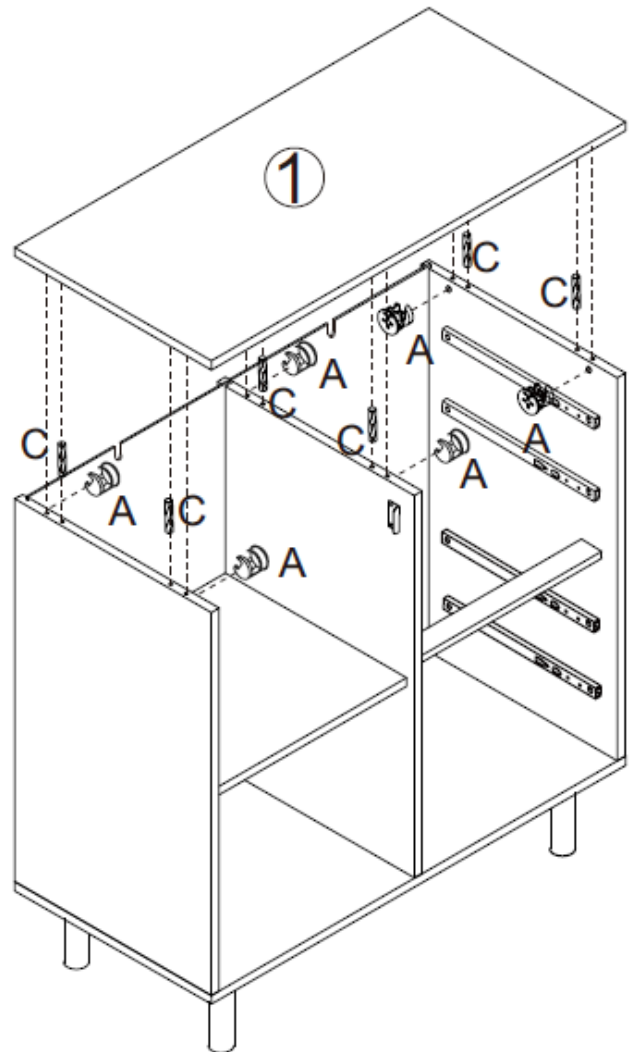
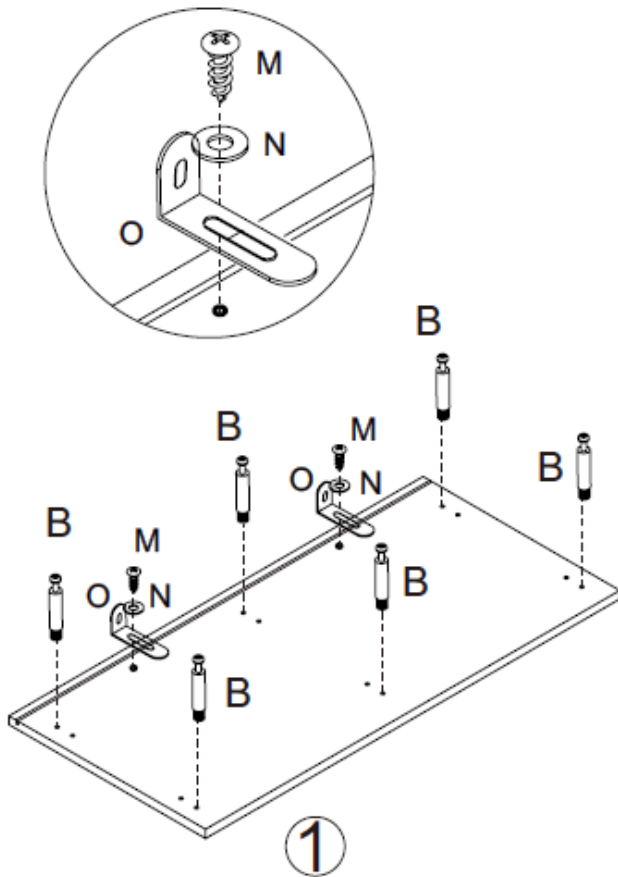
THIS STEP TO BE ACCOMPLISHED
BY TWO PERSONS



Product Name:	White Oak Finish Wood and Rattan 1-Door 4-Drawer Storage Cabinet
SKU #:	WHIF1827





Step 8: Screw hardware B into panel 1. Attach hardware O to panel 1 using hardware M and N. Connect panel 1 to the assembled panels 2, 4, and 3 using hardware C and A.

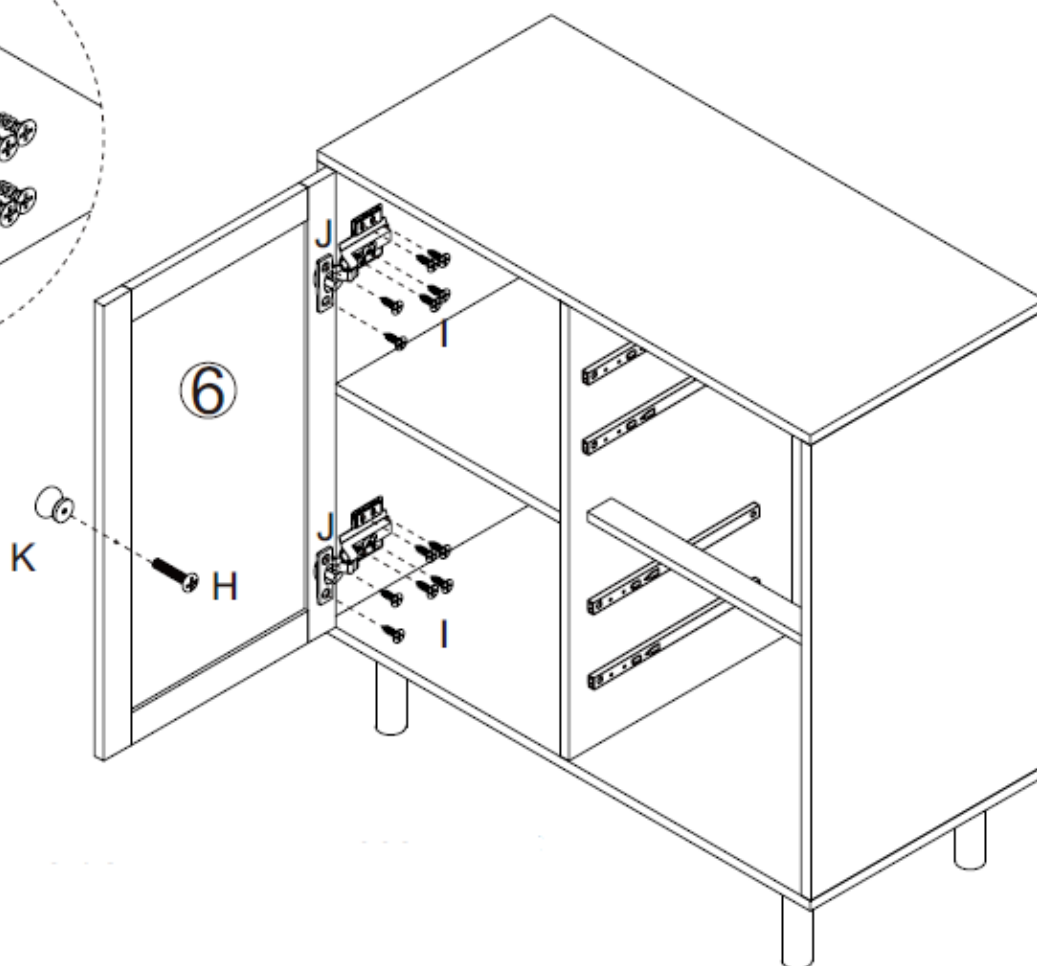
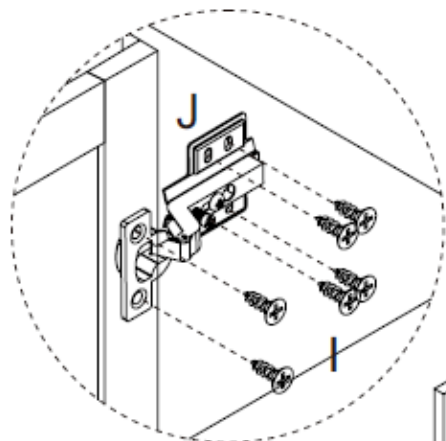
A x6	B x6	C x6	M x2	N x2	O x2
					



Product Name:	White Oak Finish Wood and Rattan 1-Door 4-Drawer Storage Cabinet
SKU #:	WHIF1827

Step 9: Install hardware K on Door 6 using hardware. Attach the door 6 to the left side (panel 2) using hardware I and J.

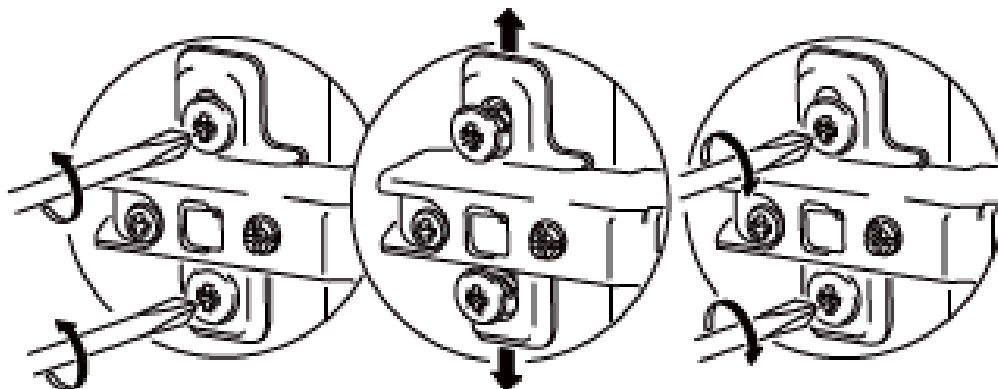
Ⓜx1	Ⓜx12	Ⓜx2	Ⓜx1
			



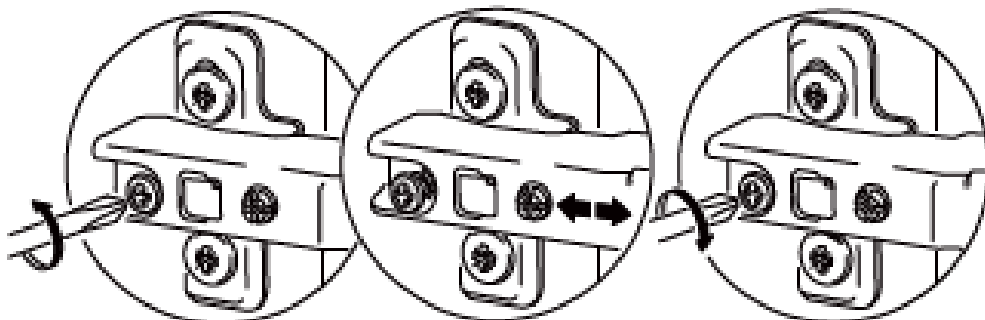
Product Name:	White Oak Finish Wood and Rattan 1-Door 4-Drawer Storage Cabinet
SKU #:	WHIF1827

Tips:

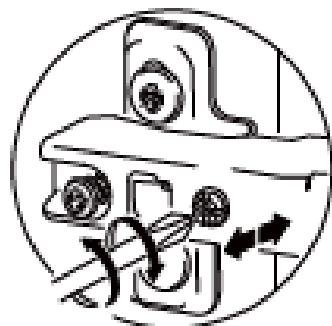
Adjust the door up and down by loosening and tightening the screws in the vertical position.



Adjust the door front and back with the left screw in the horizontal position.

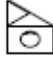



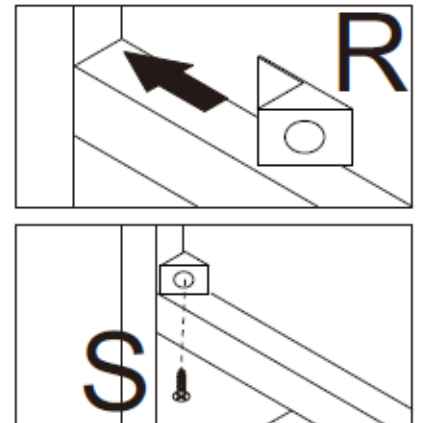
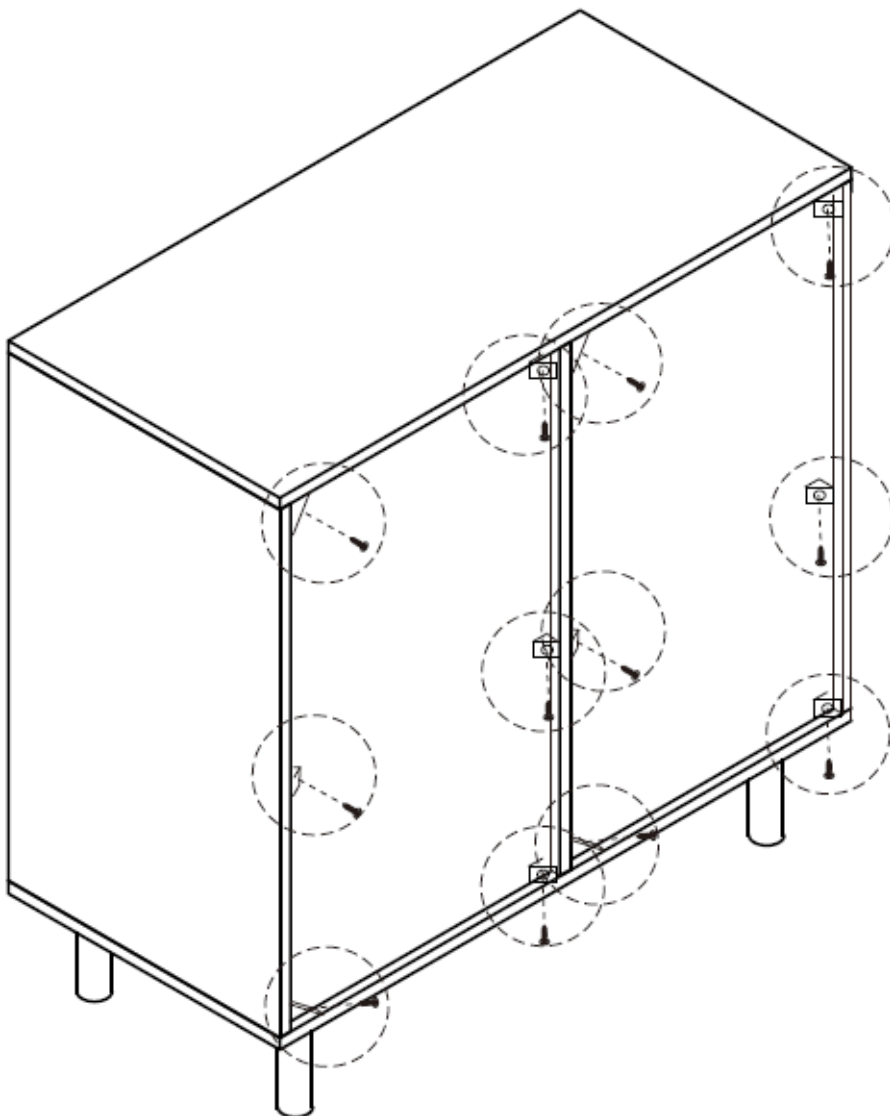
Adjust the door left and right with the right screw in the horizontal position.



Product Name:	White Oak Finish Wood and Rattan 1-Door 4-Drawer Storage Cabinet
SKU #:	WHIF1827




Step 10: To stabilize the cabinet body, lock hardware R on the back panel in 12 places with the screw in hardware S.

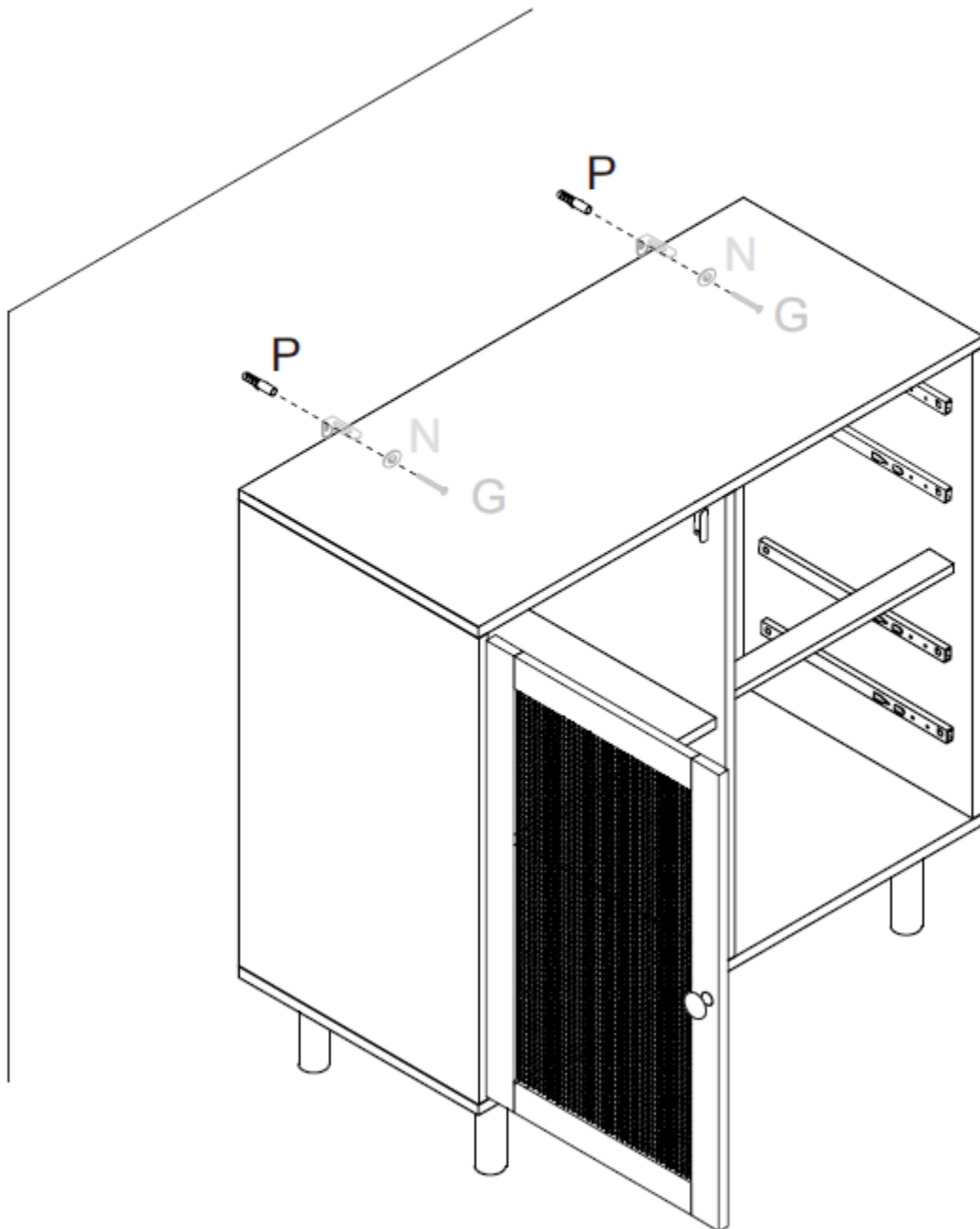
R x12	S x12
	



Product Name:	White Oak Finish Wood and Rattan 1-Door 4-Drawer Storage Cabinet
SKU #:	WHIF1827

Step 11: For additional stability, secure the cabinet to the wall using the restraint kit included.

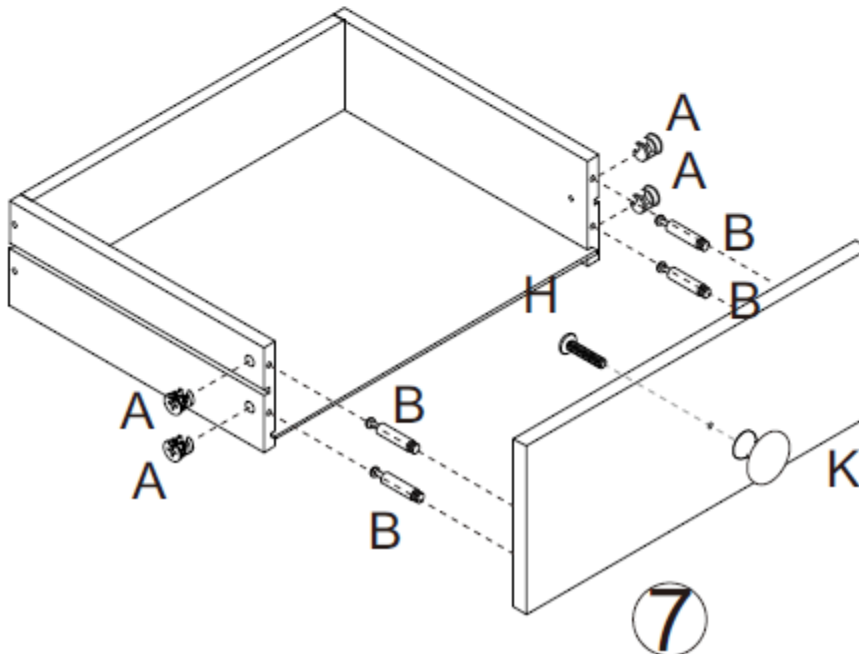
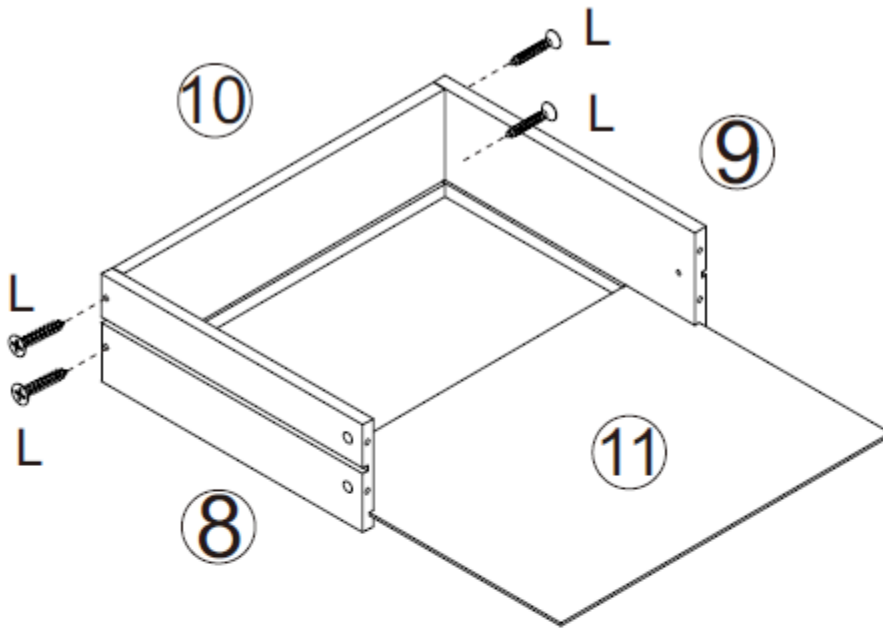
ⓐx2	Ⓝx2	Ⓟx2
		



Product Name:	White Oak Finish Wood and Rattan 1-Door 4-Drawer Storage Cabinet
SKU #:	WHIF1827

Step 12: Assemble the drawers: Connect panel 12 to panels 8 and 9 using hardware L. Slide panel 11 into the grooves of panels 8 and 9 until it is fixed into the groove of panel 10. Attach panel 7 to assembled sections of 8 and 9 using hardware A and B. Install drawer knob K to drawer front 7 using hardware H. Repeat 4 times.

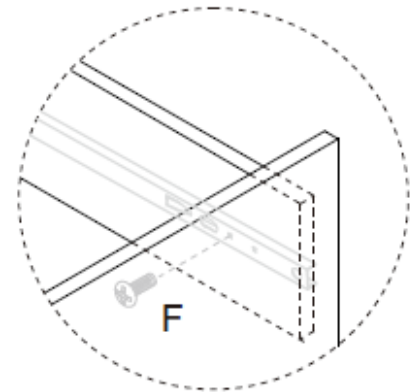
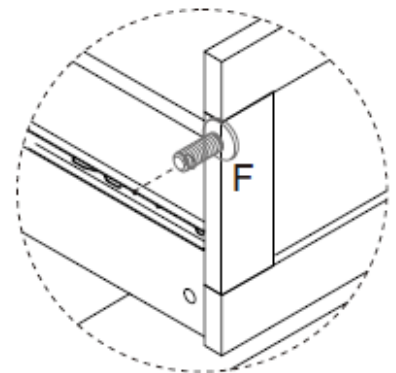
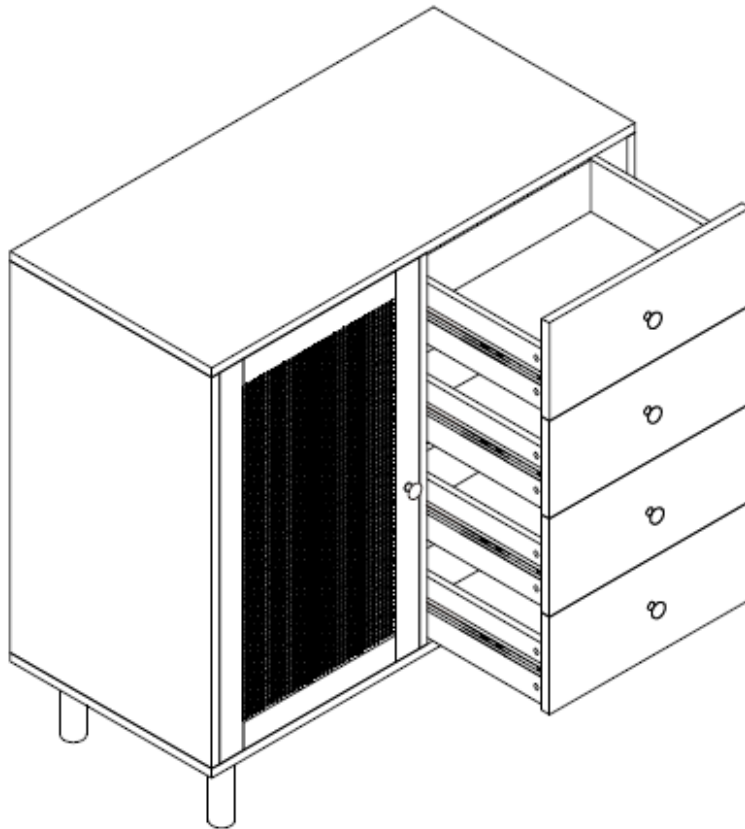
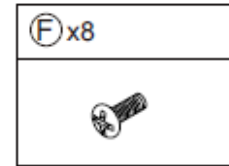
x4




(A) x16	
(B) x16	
(H) x4	
(K) x4	
(L) x16	

Product Name:	White Oak Finish Wood and Rattan 1-Door 4-Drawer Storage Cabinet
SKU #:	WHIF1827

Step 13: Attach drawer to hardware E (drawer rails) using hardware F.



 **Warning:** DO NOT sit or stand on the cabinet as this may damage the product and cause serious bodily injury.