

Product Name:	Black and Brown Wood 3-Drawer Rattan Chest
SKU #:	WHIF1826


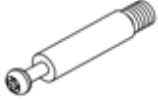





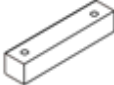








Thank you for purchasing this LuxenHöme product. This product has been manufactured with the highest standards of safety and quality.

PLEASE READ ALL INSTRUCTIONS BEFORE ASSEMBLY.

Unpack all parts from the packaging inside the carton to ensure no missing or damaged parts. Do not attempt to assemble or use the product if any parts are missing or damaged.

CARTON CONTENTS:

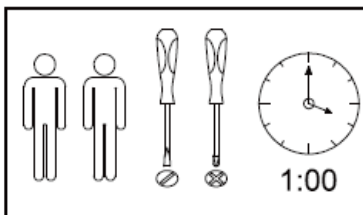
Hardware:

Ⓐ x33	Ⓑ x33	Ⓒ x10	Ⓓ x12	Ⓔ x6
			 M3*12	
Ⓕ x3	Ⓖ x15	Ⓗ x3	Ⓘ x6	Ⓝ x6
 M4*40	 M4*30		 M4*25	 M4*10
Ⓚ x1	Ⓛ x2	Ⓜ x1	Ⓝ x1	Ⓞ x8
 M4*12				
Ⓟ x8				
				

Product Name:	Black and Brown Wood 3-Drawer Rattan Chest
SKU #:	WHIF1826

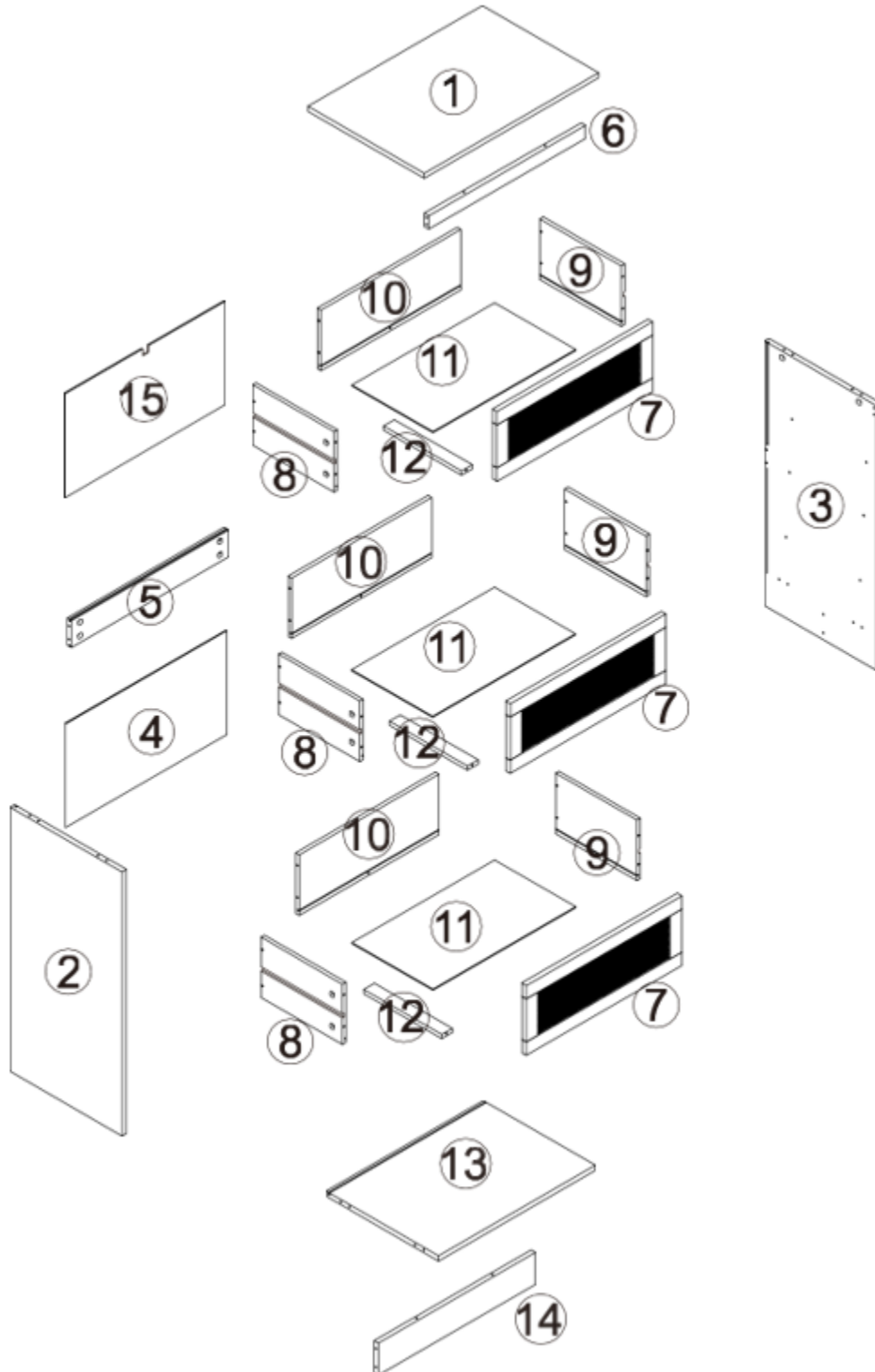
Panels:

① x1	② x1	③ x1	④ x1	⑤ x1
⑥ x1	⑦ x3	⑧ x3	⑨ x3	⑩ x3
⑪ x3	⑫ x3	⑬ x1	⑭ x1	⑮ x1



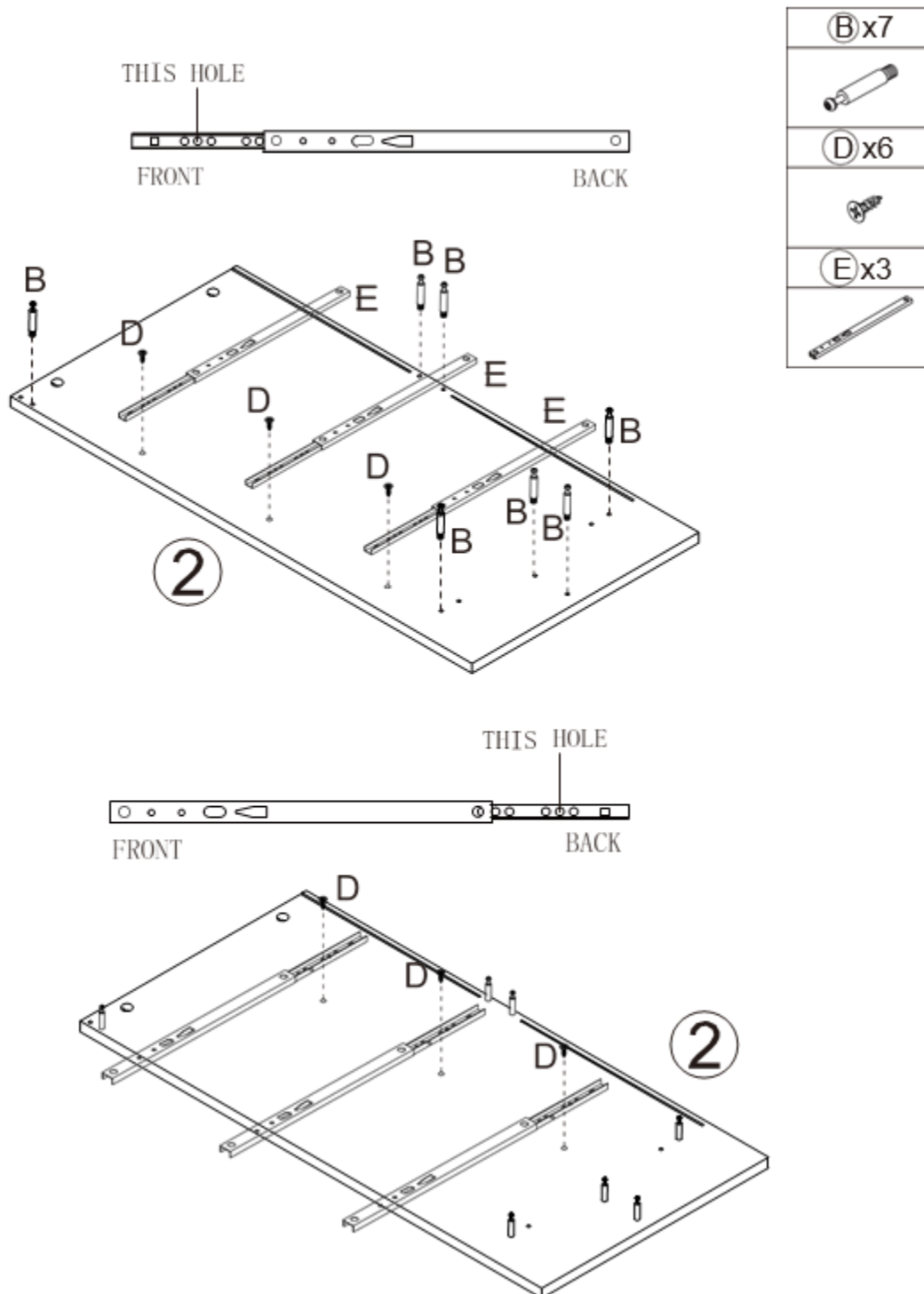
Tools required for assembly: Philips screwdriver and flathead screwdriver (if using power tools, use with care).

Product Name:	Black and Brown Wood 3-Drawer Rattan Chest
SKU #:	WHIF1826



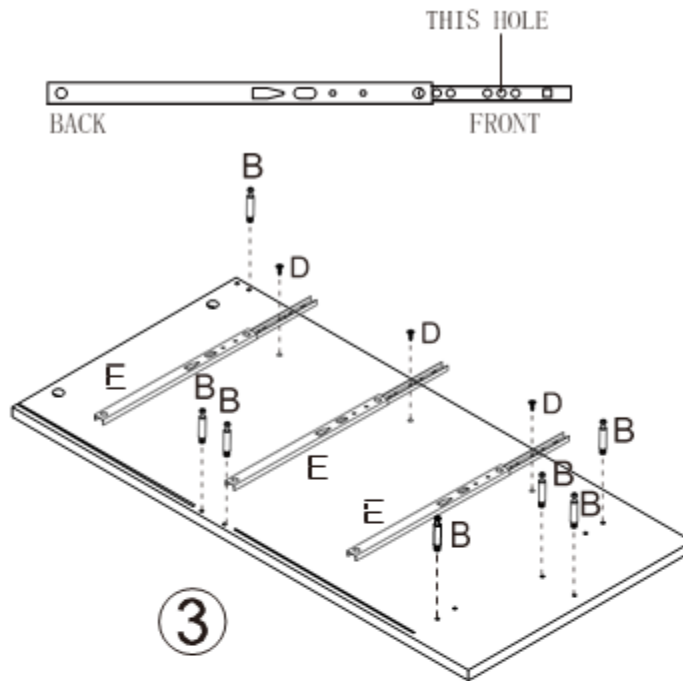
Product Name:	Black and Brown Wood 3-Drawer Rattan Chest
SKU #:	WHIF1826




Step 1 – Chest Sides: Prepare the sides for the drawers by adding parts E to panel 2.
Screw hardware B into panel 2, then extend drawer rail E and attach it the panel 2 with hardware D.

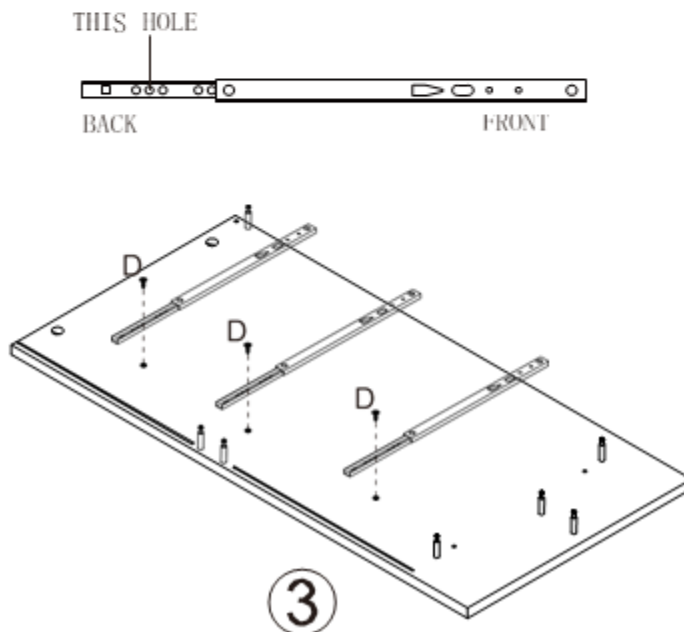


Product Name:	Black and Brown Wood 3-Drawer Rattan Chest
SKU #:	WHIF1826

Step 2: Repeat step 1 for the other panel 3.



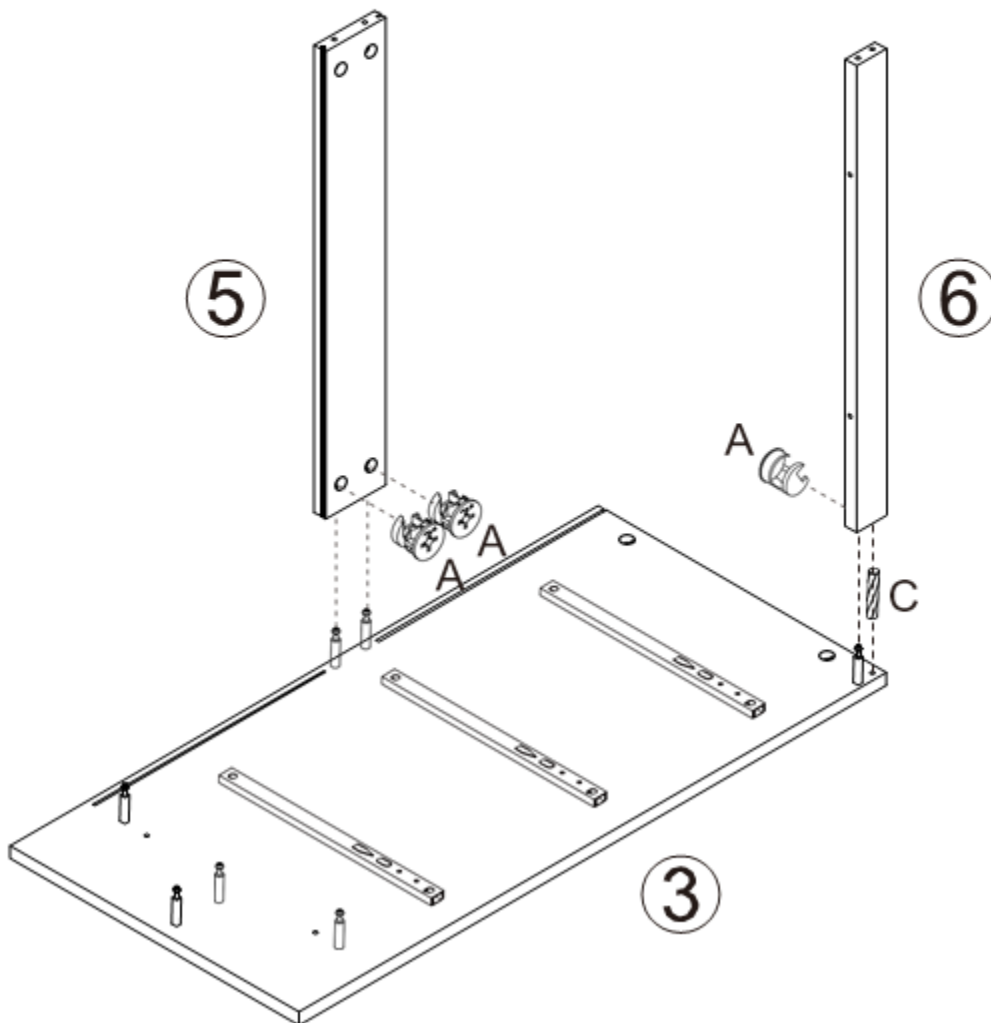
(B)x7

(D)x6

(E)x3




Product Name:	Black and Brown Wood 3-Drawer Rattan Chest
SKU #:	WHIF1826


Step 3: Connect panels 5 and 6 to panel 3 using hardware A and C.

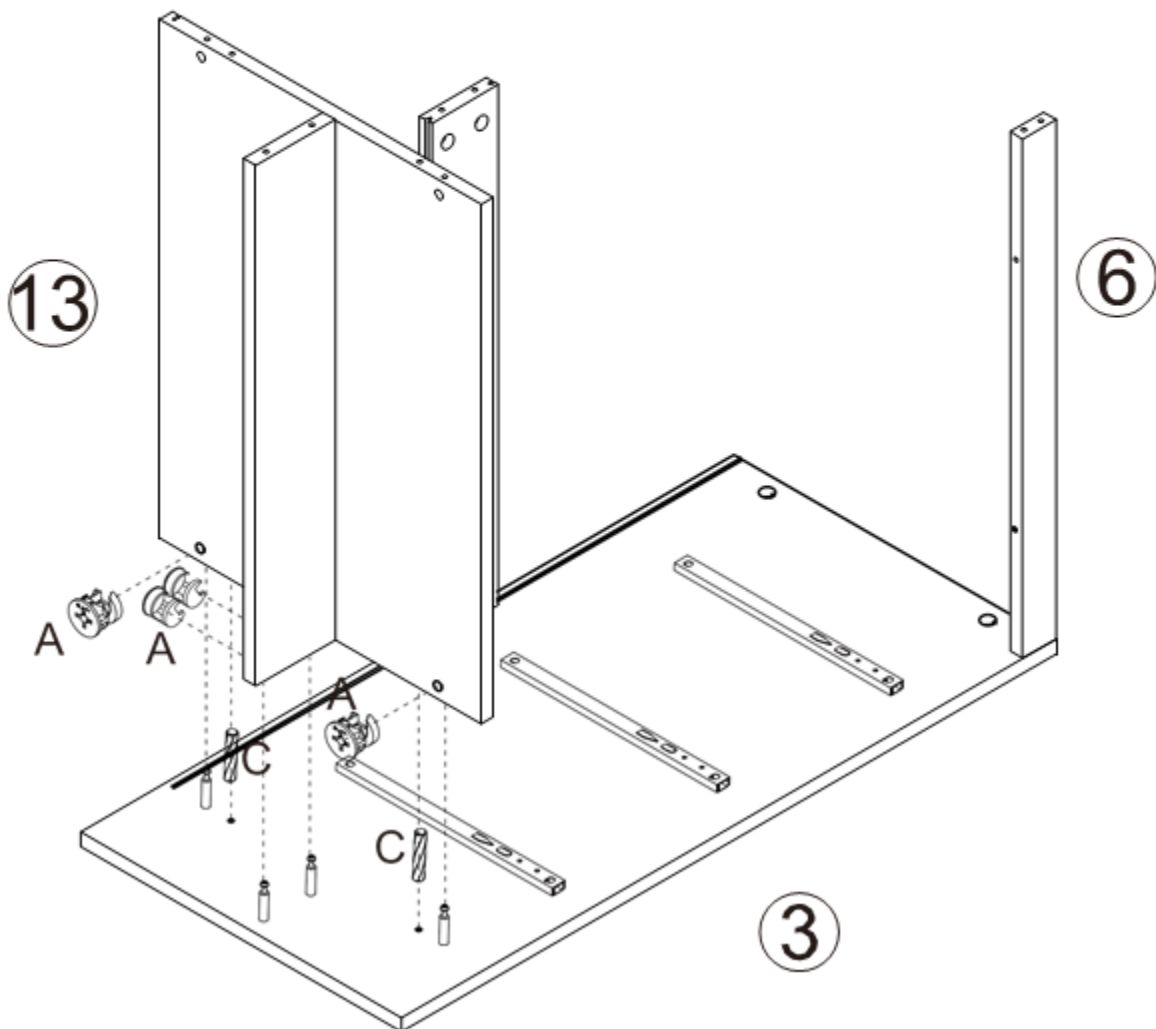
Ax3	Cx1
	



Product Name:	Black and Brown Wood 3-Drawer Rattan Chest
SKU #:	WHIF1826

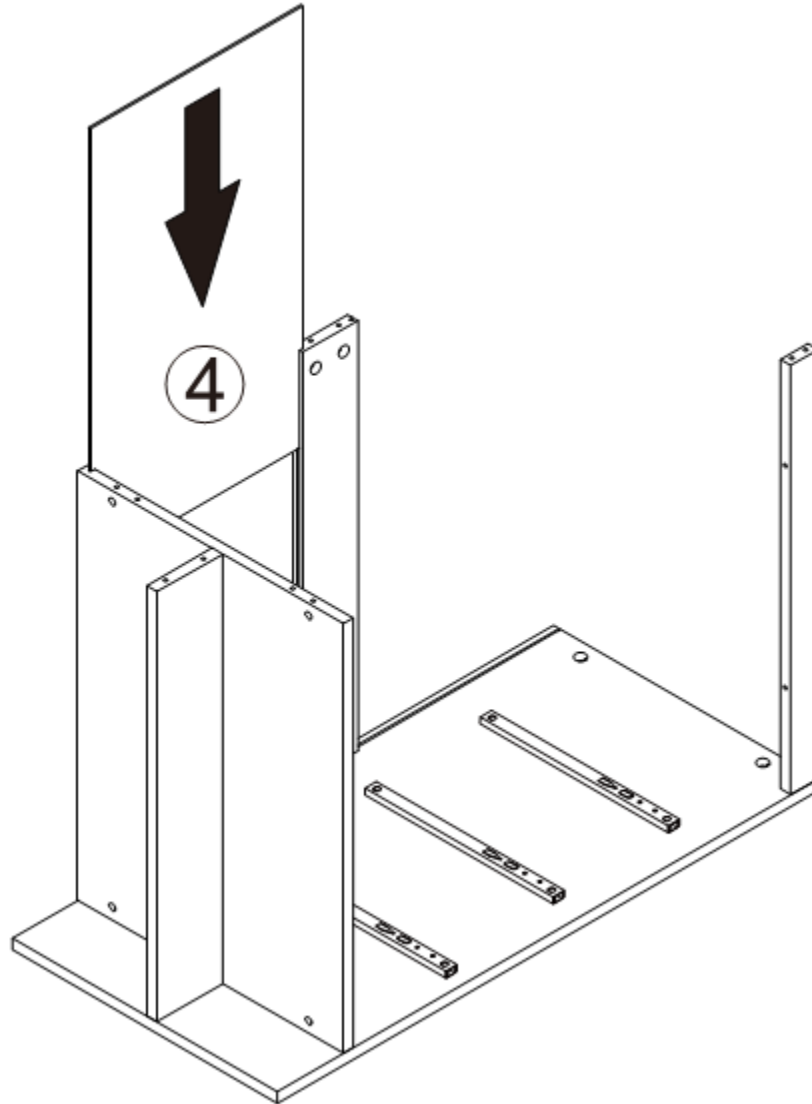
Step 4: Connect panels 13 and 14 to panel 3 with hardware C and A.

Ⓐ x4	Ⓒ x2
	



Product Name:	Black and Brown Wood 3-Drawer Rattan Chest
SKU #:	WHIF1826

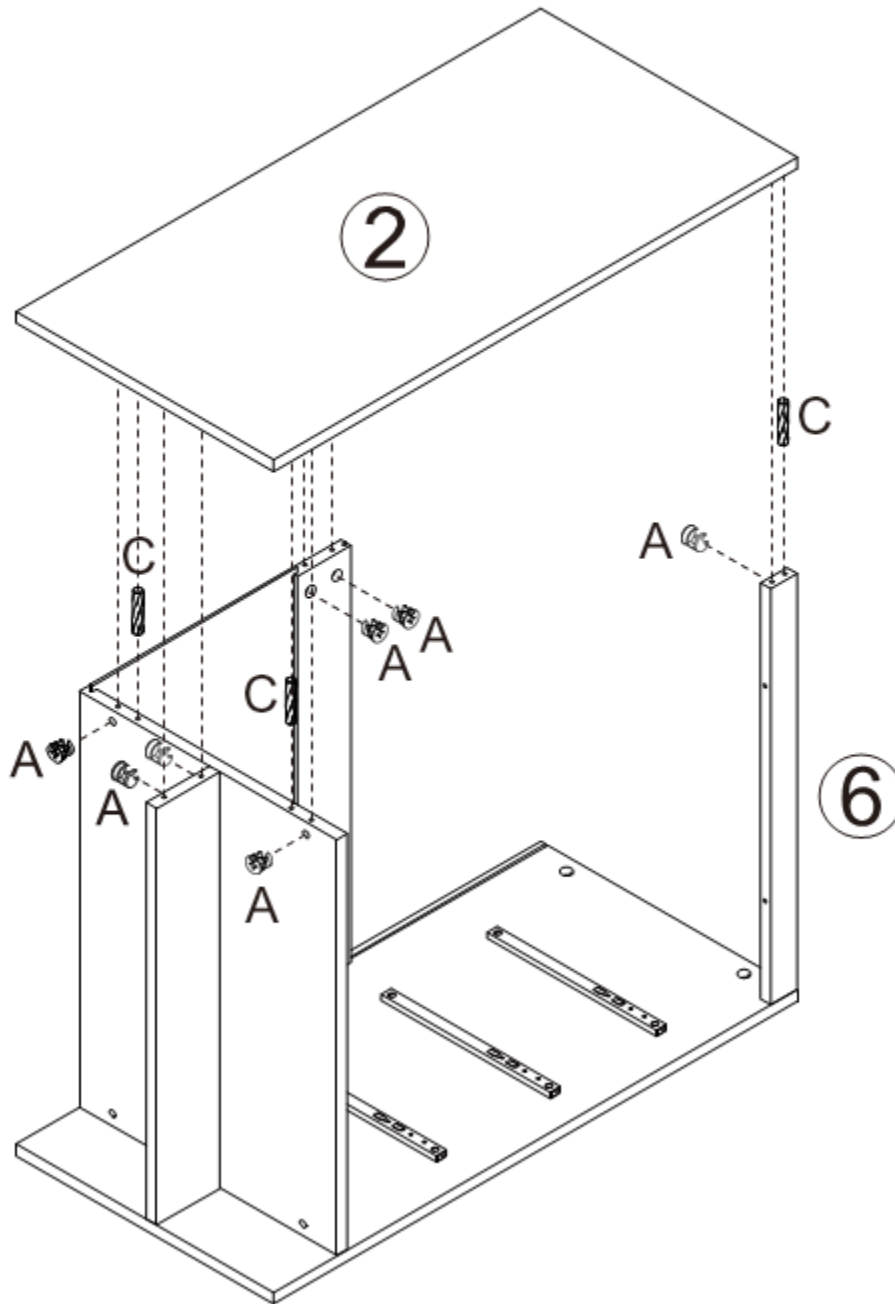
Step 5: Slide back panel 4 by lining up with the grooves of panels 13 and 5. Fit the bottom into the groove of panel 3.



Product Name:	Black and Brown Wood 3-Drawer Rattan Chest
SKU #:	WHIF1826

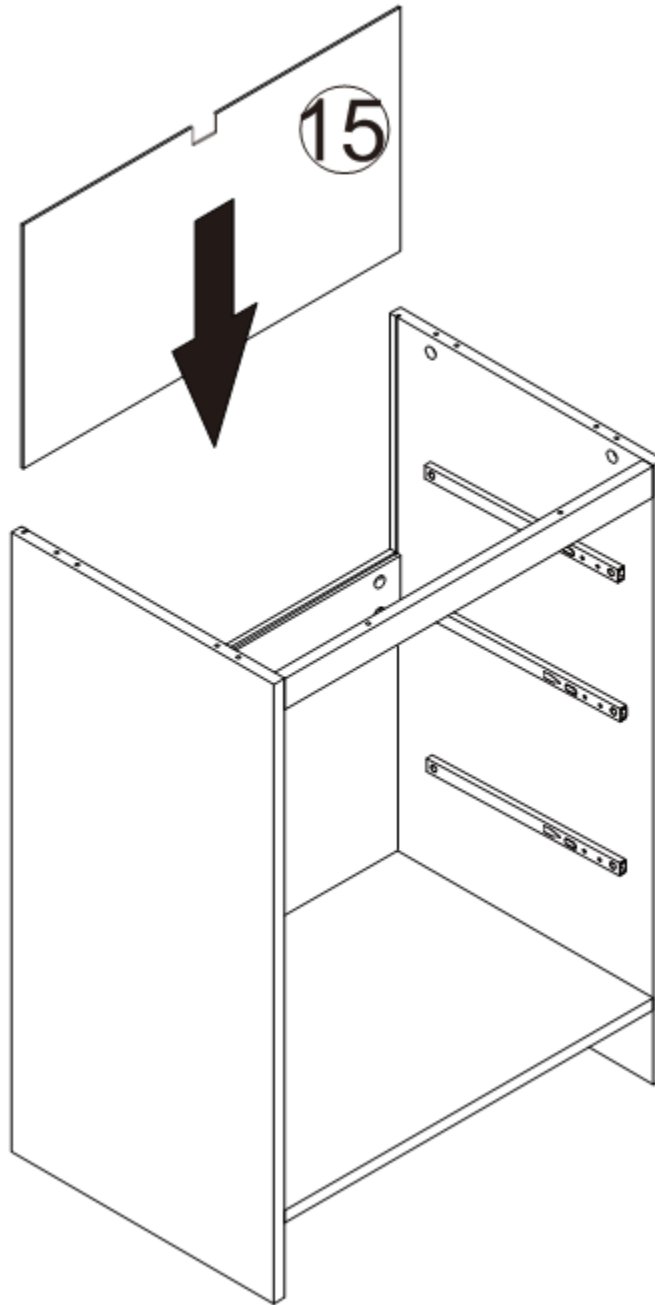
Step 6: Connect the side panel 2 to the assembled chest panels 14, 13, 5 and 6 using hardware C and A.

A x7	C x3
	










Product Name:	Black and Brown Wood 3-Drawer Rattan Chest
SKU #:	WHIF1826

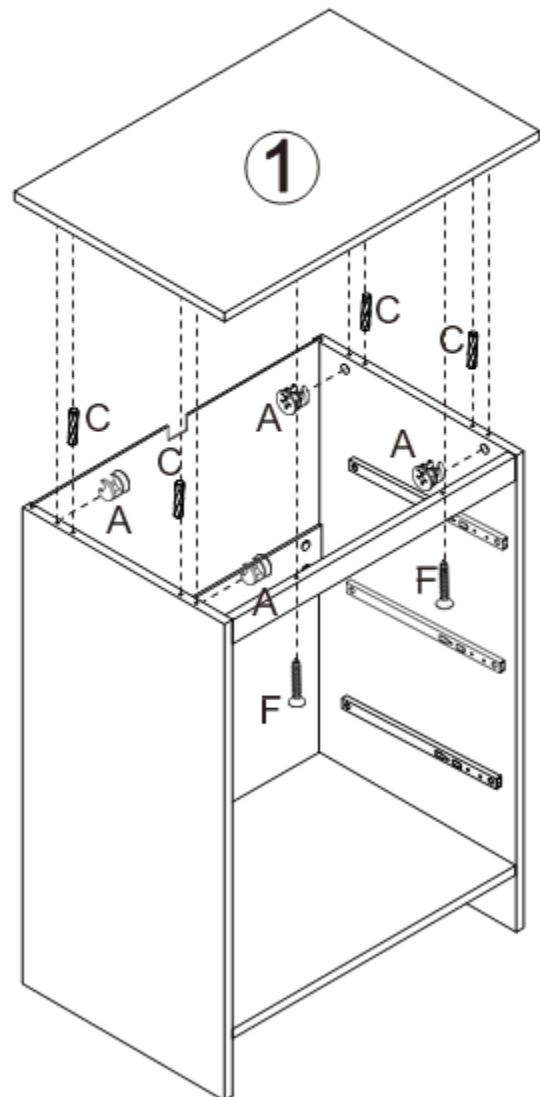
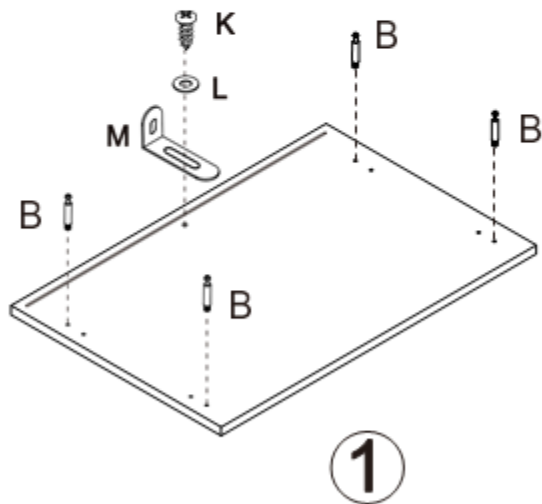
Step 7: Carefully turn the chest upright. Slide the top back panel 15, lining up with the grooves of panels 2 and 3. Fit the panel into the groove of panel 5 at the base.



Product Name:	Black and Brown Wood 3-Drawer Rattan Chest
SKU #:	WHIF1826





Step 8: Attach top panel 1 by first screwing in hardware B in the underside of the panel. Attached hardware M bracket to the underside of panel 1 with hardware L and K. Turn the panel 1 over and attach it to the chest body (2, 3, and 6) with hardware C and A.

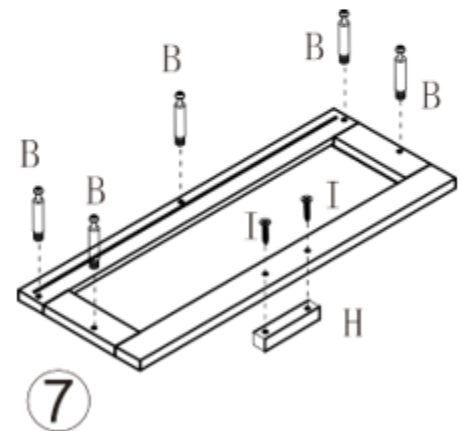
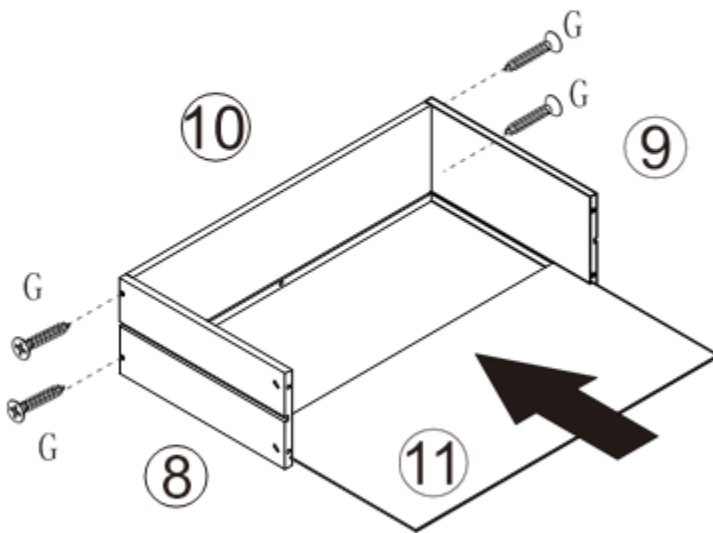
Ⓐx4	Ⓑx4	Ⓒx4	Ⓕx2
			
	Ⓚx1	Ⓛx1	Ⓜx1
			



Product Name:	Black and Brown Wood 3-Drawer Rattan Chest
SKU #:	WHIF1826

Step 9: Assemble the drawers: Connect panel 10 to drawer side panels 8 and 9 using hardware G. Slide panel 11 into the grooves of 8 and 9 and fit into the groove of 10. Screw hardware B into the underside of the drawer front panel 7 and install hardware H into drawer front panel 7 with hardware I. Repeat this step for all three drawers.

Ⓑx15	Ⓒx12	Ⓓx3	Ⓘx6
			

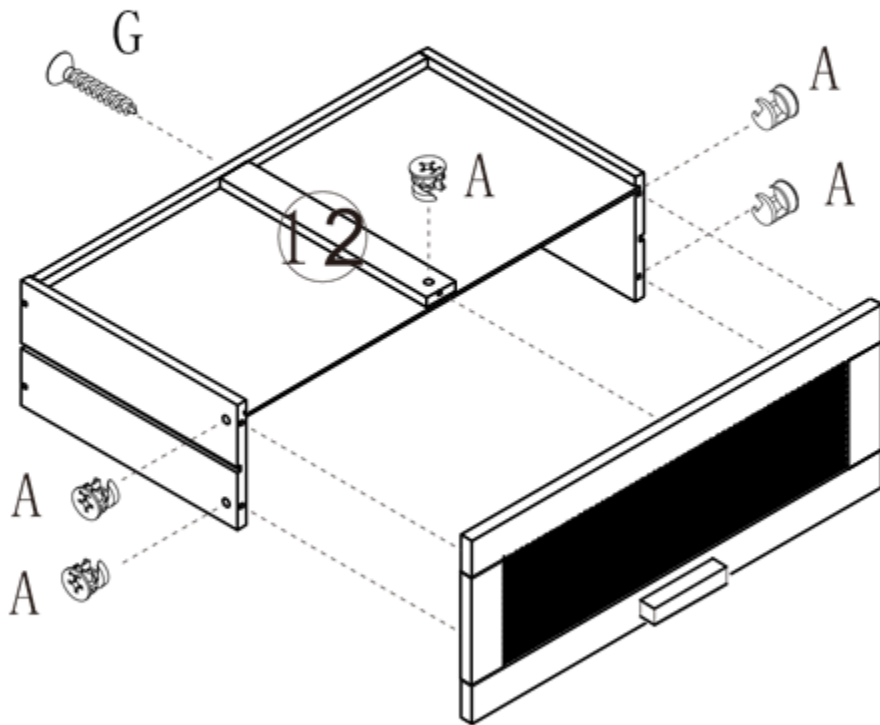


x3

Product Name:	Black and Brown Wood 3-Drawer Rattan Chest
SKU #:	WHIF1826

Step 10: Connect panel 12 to the assembled panel 10 using hardware G. Connect the drawer front 7 to panels 8, 9, and 12 using hardware A. Do this for all three drawers.

Ax15	Gx3
	

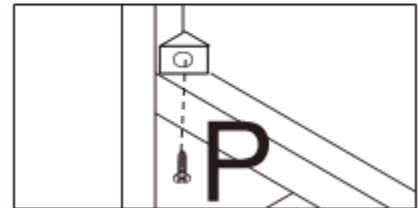
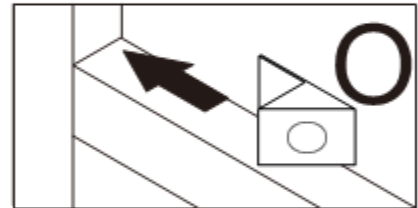
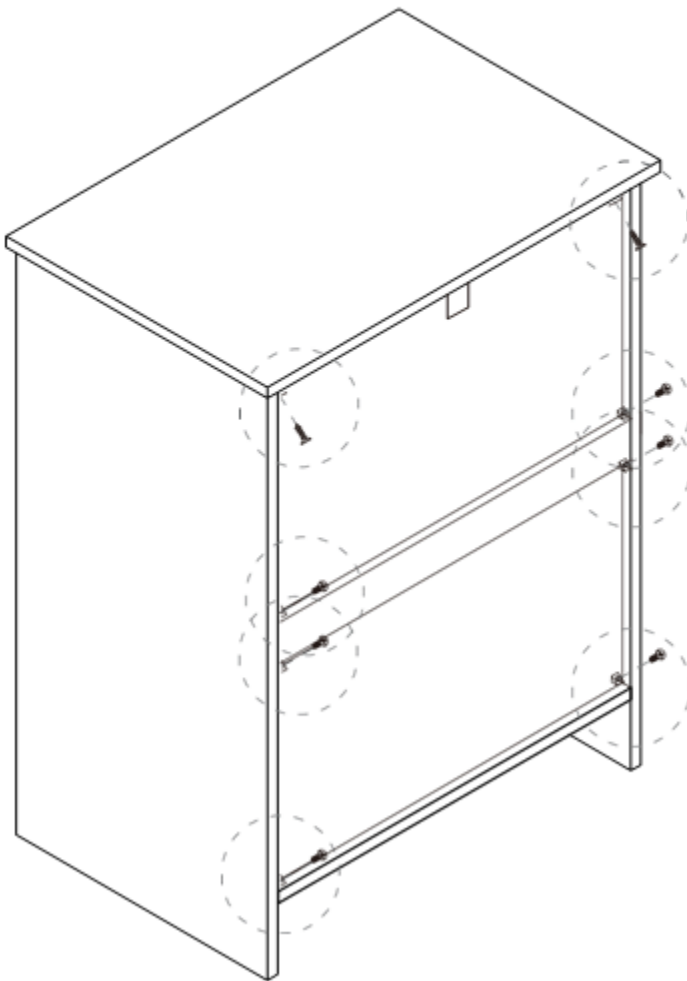


x3

Product Name:	Black and Brown Wood 3-Drawer Rattan Chest
SKU #:	WHIF1826

Step 11: Add hardware O at each corner (8 corners) on the backboard and secure it with hardware P.

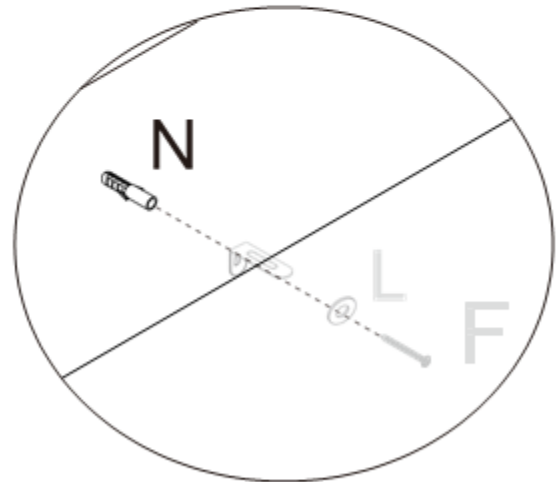
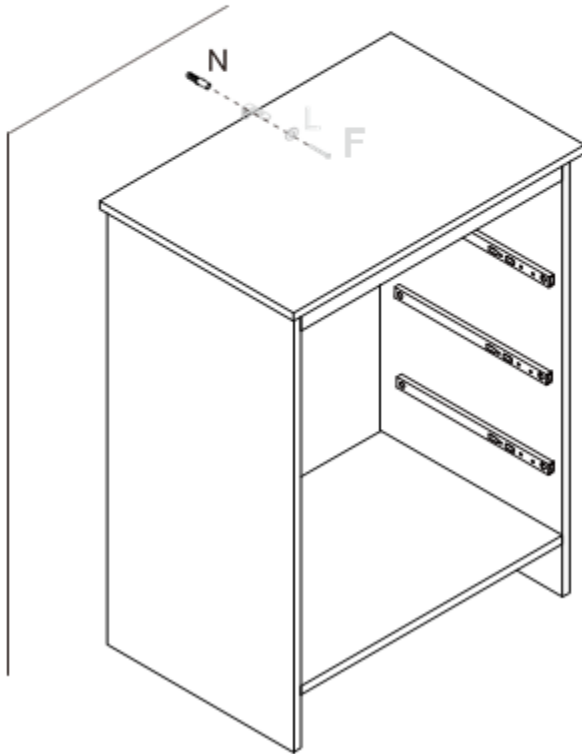
 O x8	 P x8
	



Product Name:	Black and Brown Wood 3-Drawer Rattan Chest
SKU #:	WHIF1826

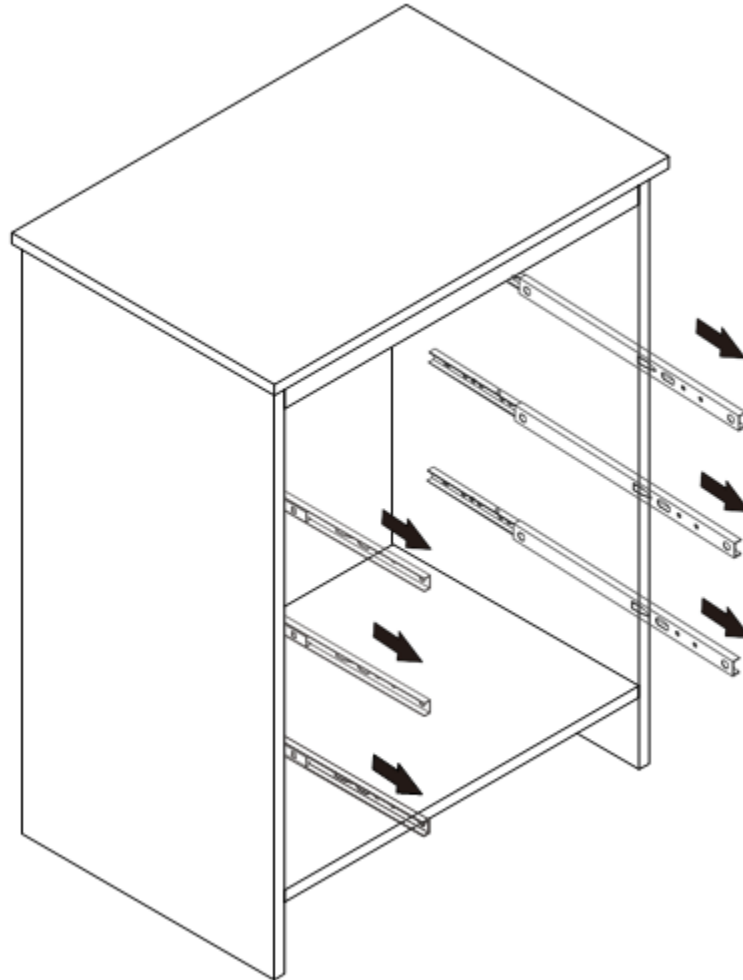
Step 12: For stability and safety, secure the chest to the wall using hardware N, F, and L.

ⓕx1	Ⓛx1	Ⓝx1
		



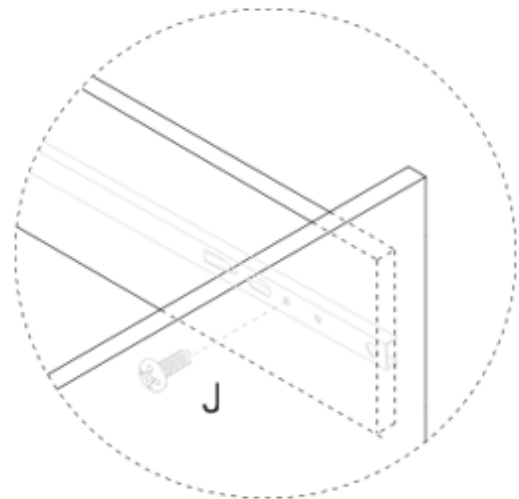
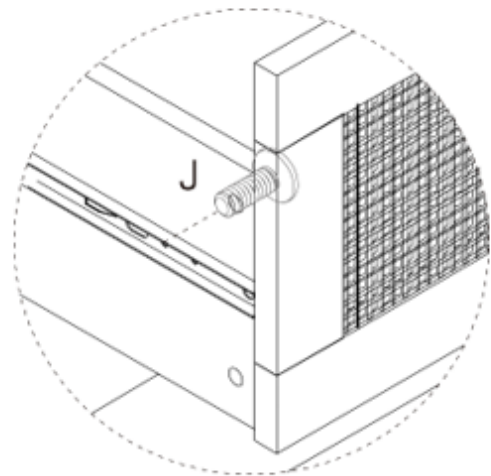
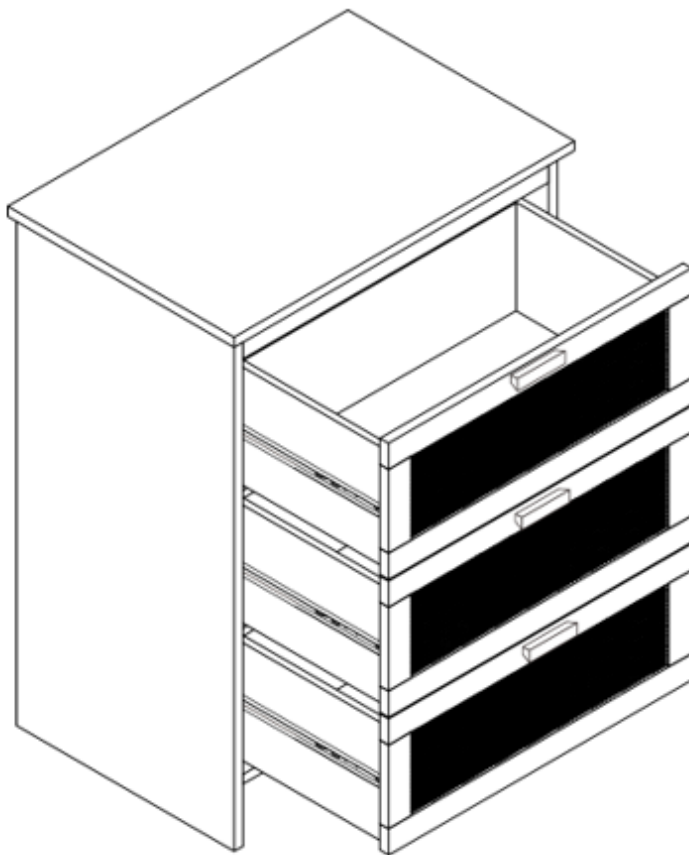
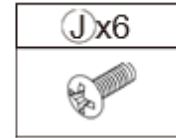
Product Name:	Black and Brown Wood 3-Drawer Rattan Chest
SKU #:	WHIF1826


Step 13: Get ready to insert the drawers by extending hardware E.



Product Name:	Black and Brown Wood 3-Drawer Rattan Chest
SKU #:	WHIF1826

Step 14: Insert drawers and secure to the drawer rails E using hardware J.



 **Warning:** DO NOT sit or stand on the chest, which may damage the product and cause serious bodily injury.