

Product Name:	Black and Brown Wood 6-Drawer Rattan Dresser
SKU #:	WHIF1825











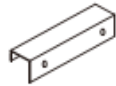





Thank you for purchasing this LuxenHöme product. This product has been manufactured with the highest standards of safety and quality.

PLEASE READ ALL INSTRUCTIONS BEFORE ASSEMBLY.

Unpack all parts from the packaging inside the carton to ensure no missing or damaged parts. Do not attempt to assemble or use the product if any parts are missing or damaged.

CARTON CONTENTS:

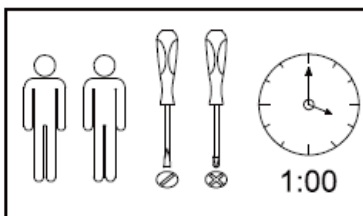
Hardware:

Ⓐ x44	Ⓑ x44	Ⓒ x12	Ⓓ x30	Ⓔ x24	Ⓕ x2	Ⓖ x8
			 4x30mm	 3x12mm		 4x35mm
Ⓗ x2	Ⓘ x2	Ⓙ x12	Ⓚ x6	Ⓛ x4	Ⓜ x12	Ⓝ x12
 4x12mm		 3.5x12mm				 4x10mm
Ⓞ x16	Ⓟ x16					
 3x14mm						

Product Name:	Black and Brown Wood 6-Drawer Rattan Dresser
SKU #:	WHIF1825

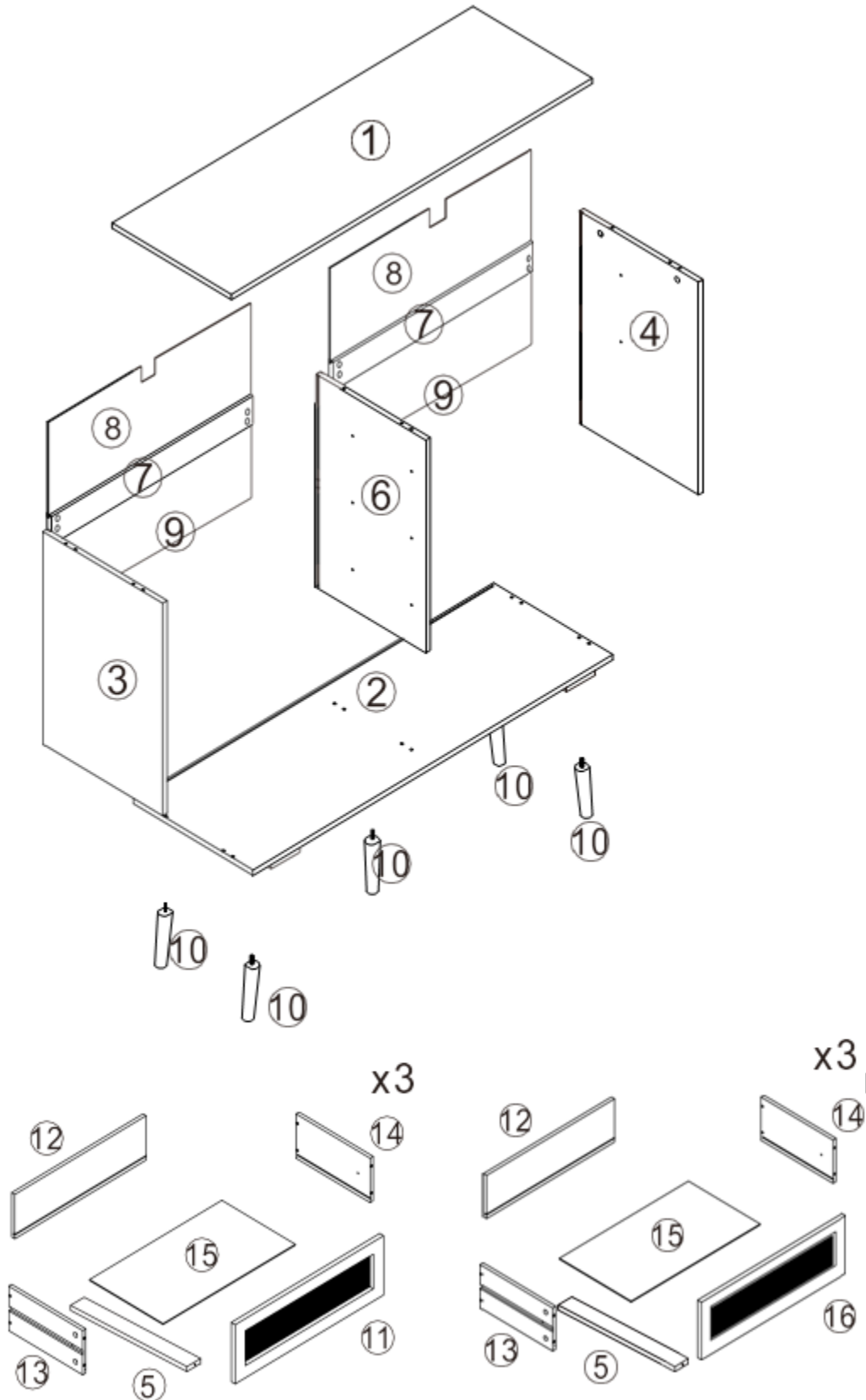
Panels:

① x1	② x1	③ x1	④ x1	⑤ x6
⑥ x1	⑦ x2	⑧ x2	⑨ x2	⑩ x5
⑪ x3	⑫ x6	⑬ x6	⑭ x6	⑮ x6
⑯ x3				



Tools required for assembly: Philips screwdriver and flathead screwdriver (if using power tools, use with care).

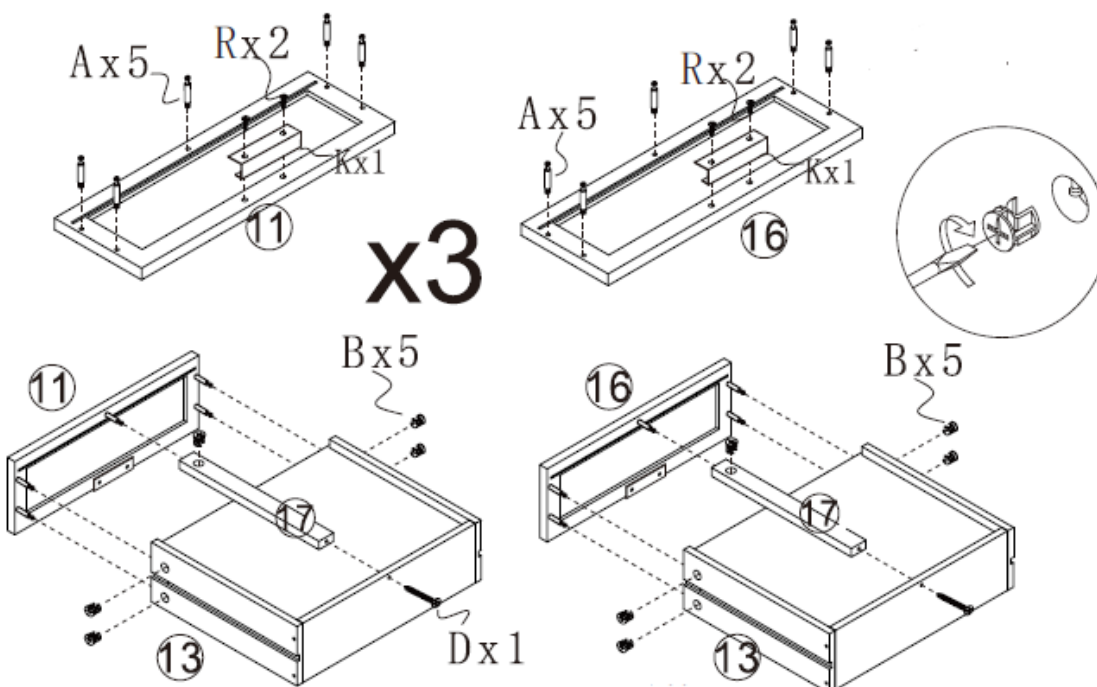
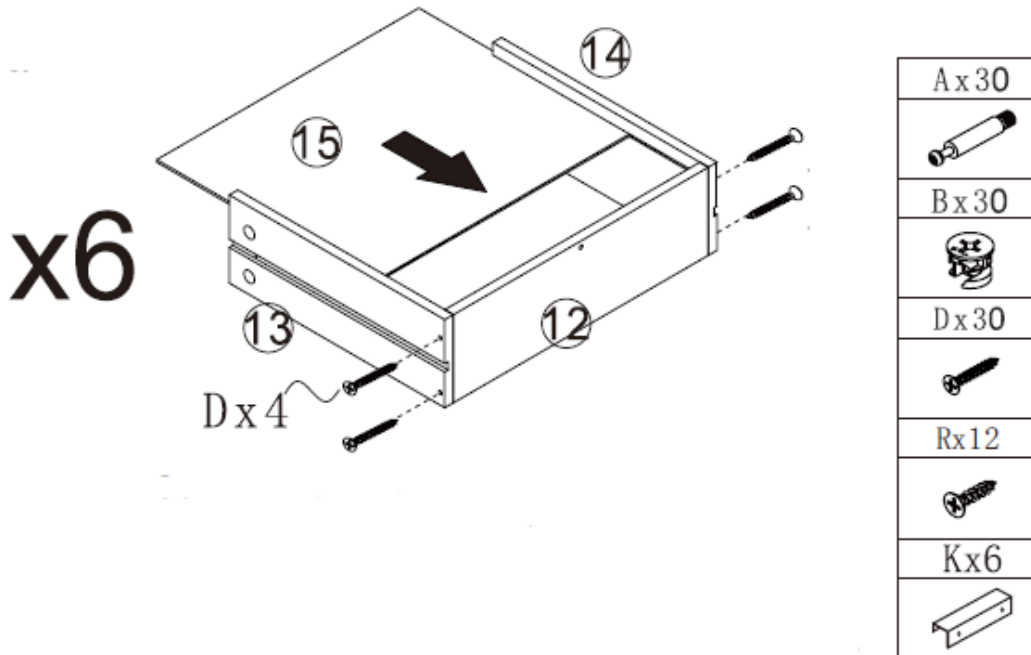
Product Name:	Black and Brown Wood 6-Drawer Rattan Dresser
SKU #:	WHIF1825



Product Name:	Black and Brown Wood 6-Drawer Rattan Dresser
SKU #:	WHIF1825

Step 1 – Assemble the drawers: Connect panel 12 to panels 13 and 14 with hardware D. Slide the drawer's bottom panel 15 into the slots of panels 13 and 14.

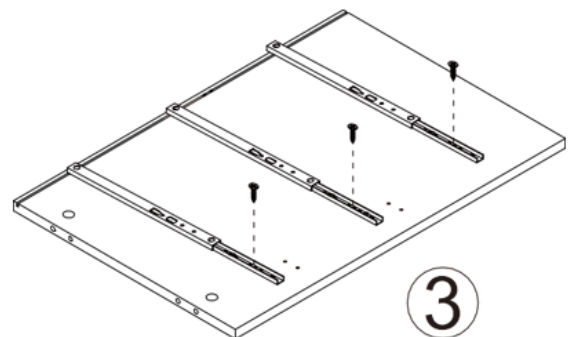
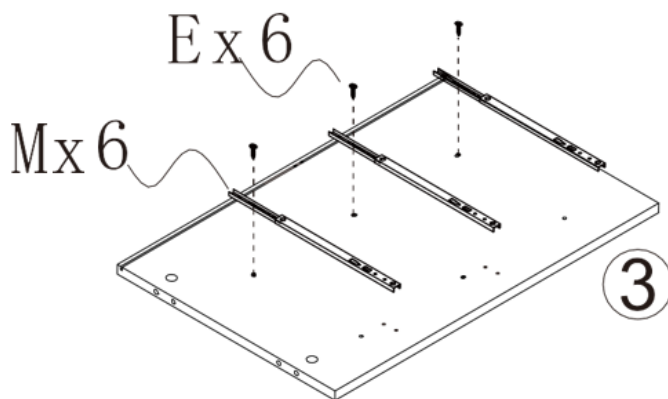
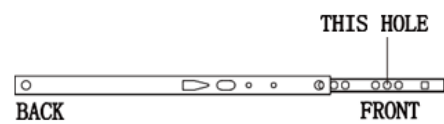
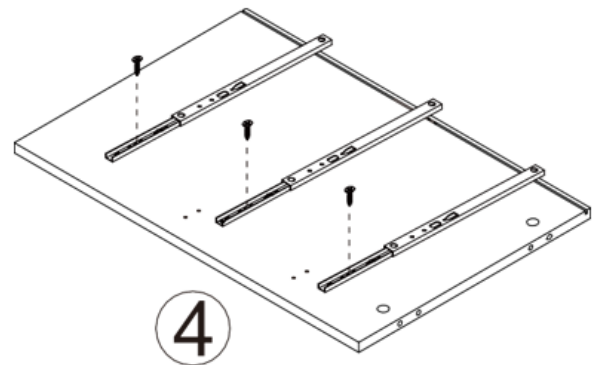
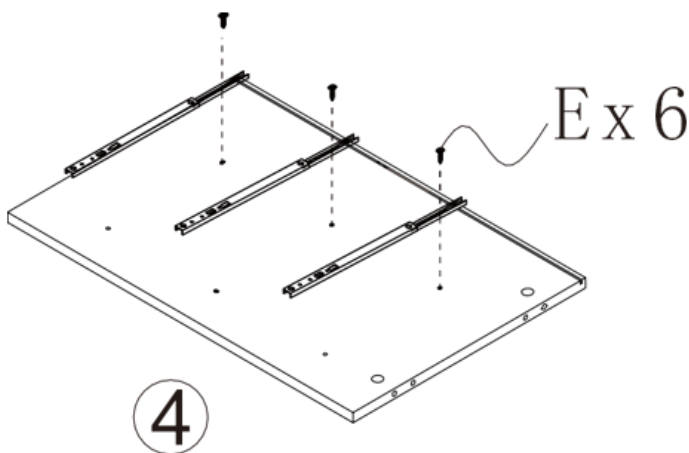
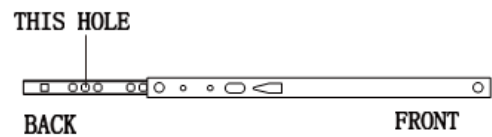
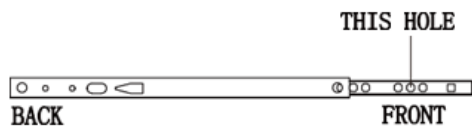
Secure hardware A to panels 11 and 16. Install handle K on panels 11 and 15 with hardware R. Connect part S 5 to 12 with hardware D. Lock panels 11 and 16 to 13, 14, and 5 with hardware B.



Product Name:	Black and Brown Wood 6-Drawer Rattan Dresser
SKU #:	WHIF1825



Step 2: Extend hardware M and attach it to Panels 4 and 3 with hardware E.

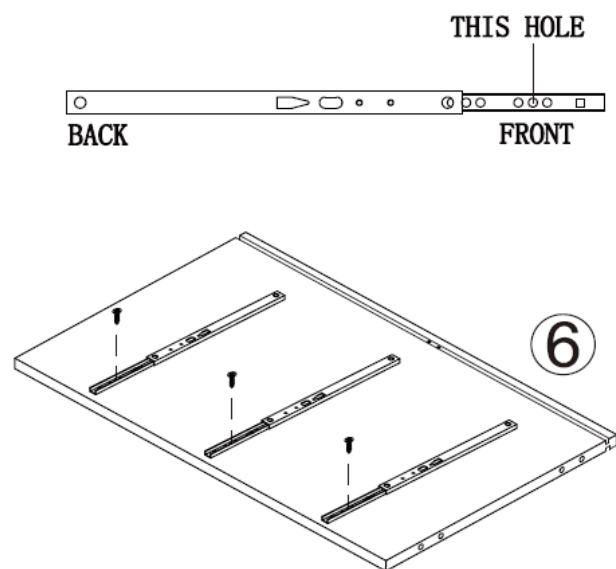
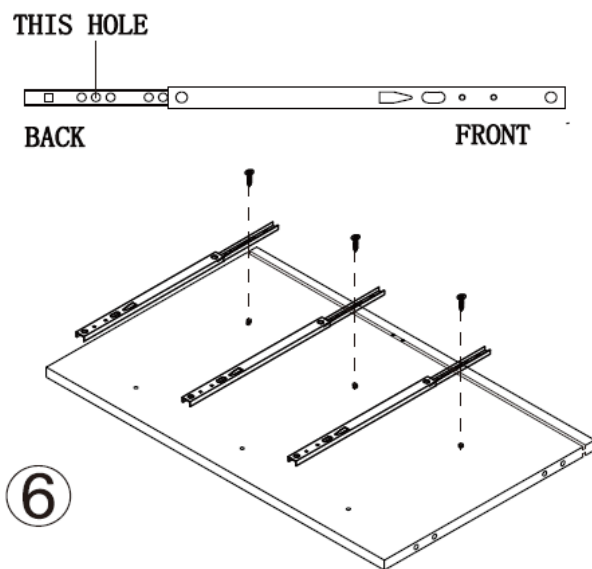
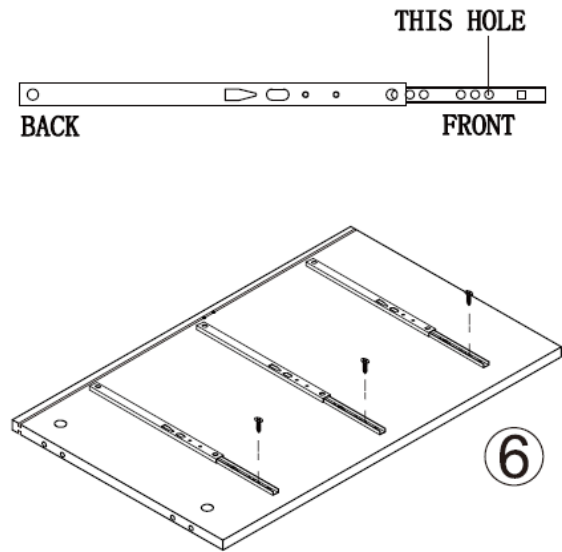
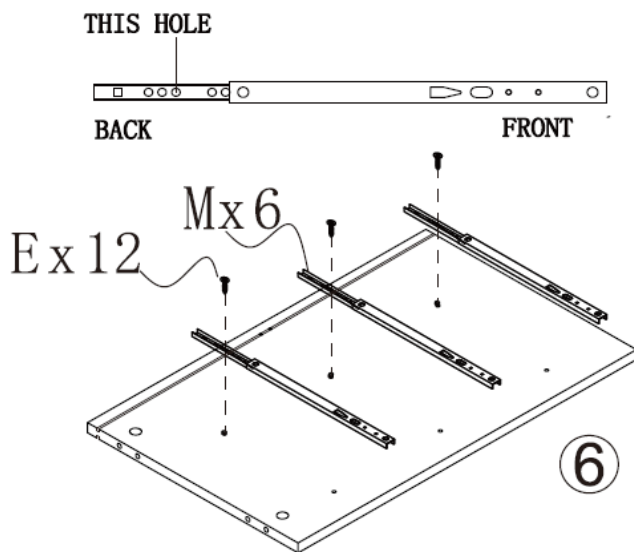
E x 12	M x 6
	



Product Name:	Black and Brown Wood 6-Drawer Rattan Dresser
SKU #:	WHIF1825



Step 3: Extend hardware M and attach it to both sides of Panel 6 with hardware E.

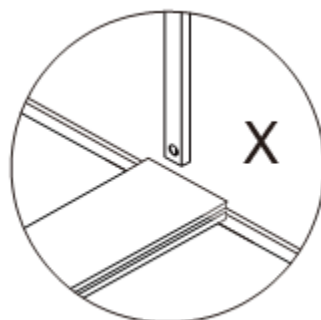
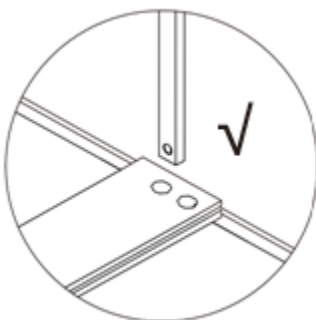
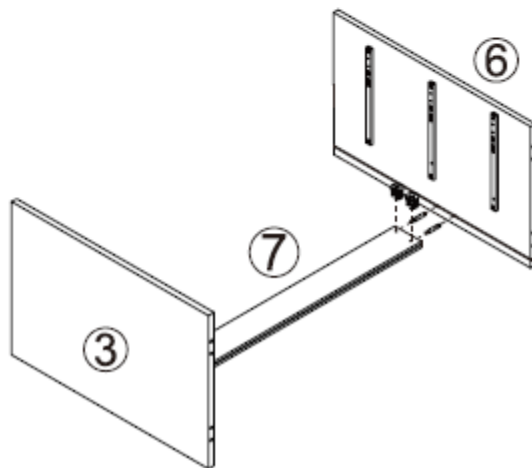
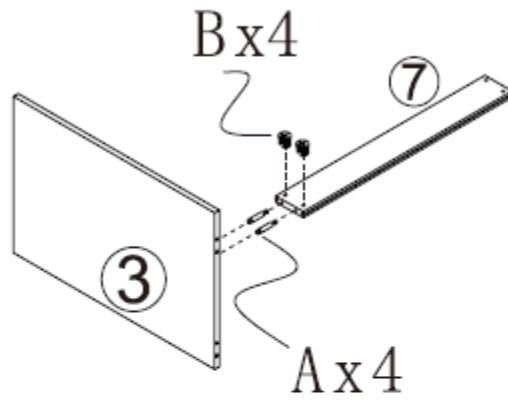
E x 12	M x 6
	



Product Name:	Black and Brown Wood 6-Drawer Rattan Dresser
SKU #:	WHIF1825

Step 4: Connect panel 7 to panels 3 and 6 using hardware A and B.

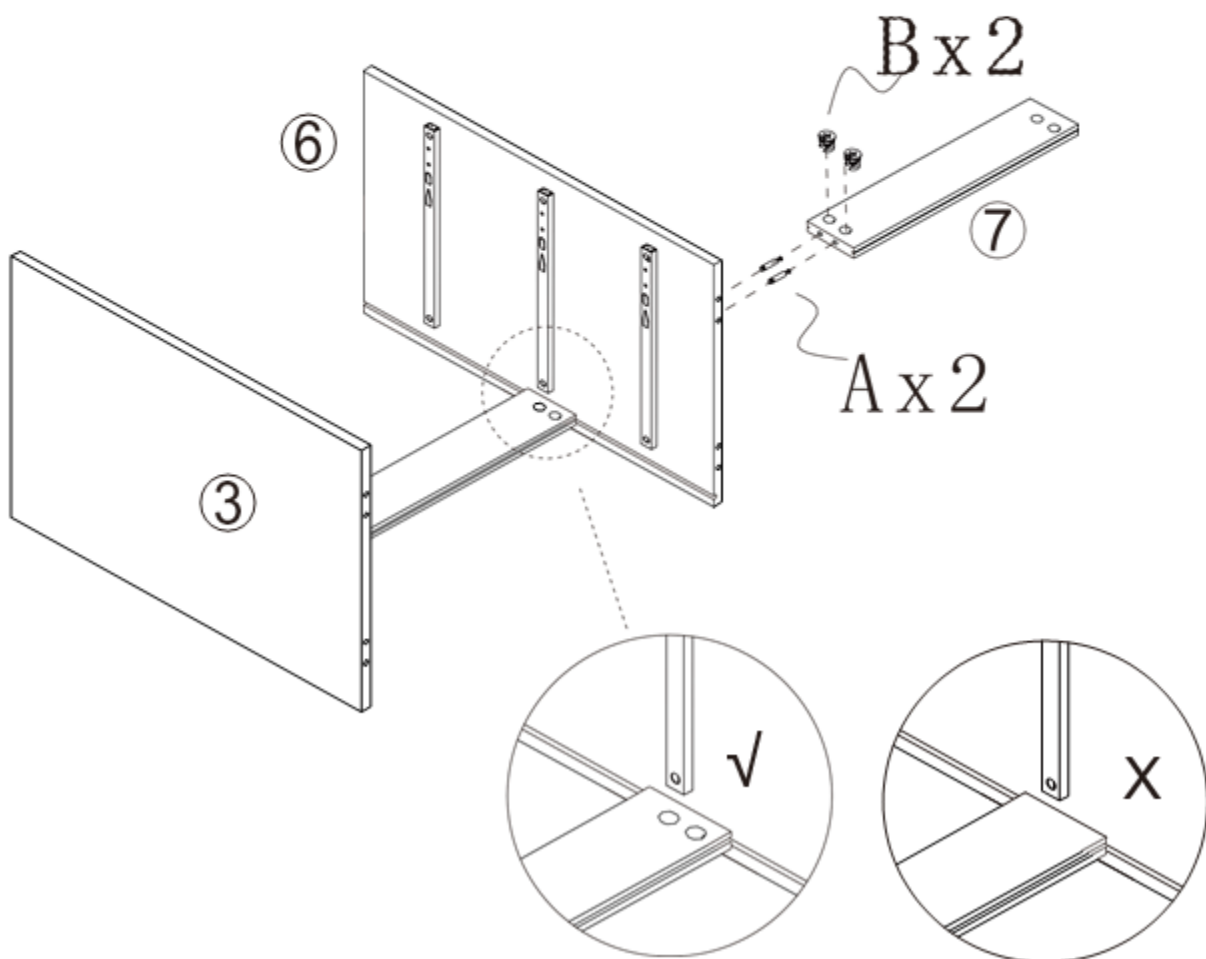
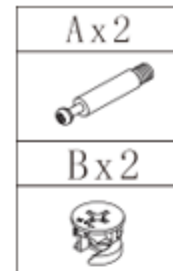
A x 4

B x 4




Product Name:	Black and Brown Wood 6-Drawer Rattan Dresser
SKU #:	WHIF1825

Step 5: Connect the second 7 panel to the other side of panel 6 using hardware A and B.

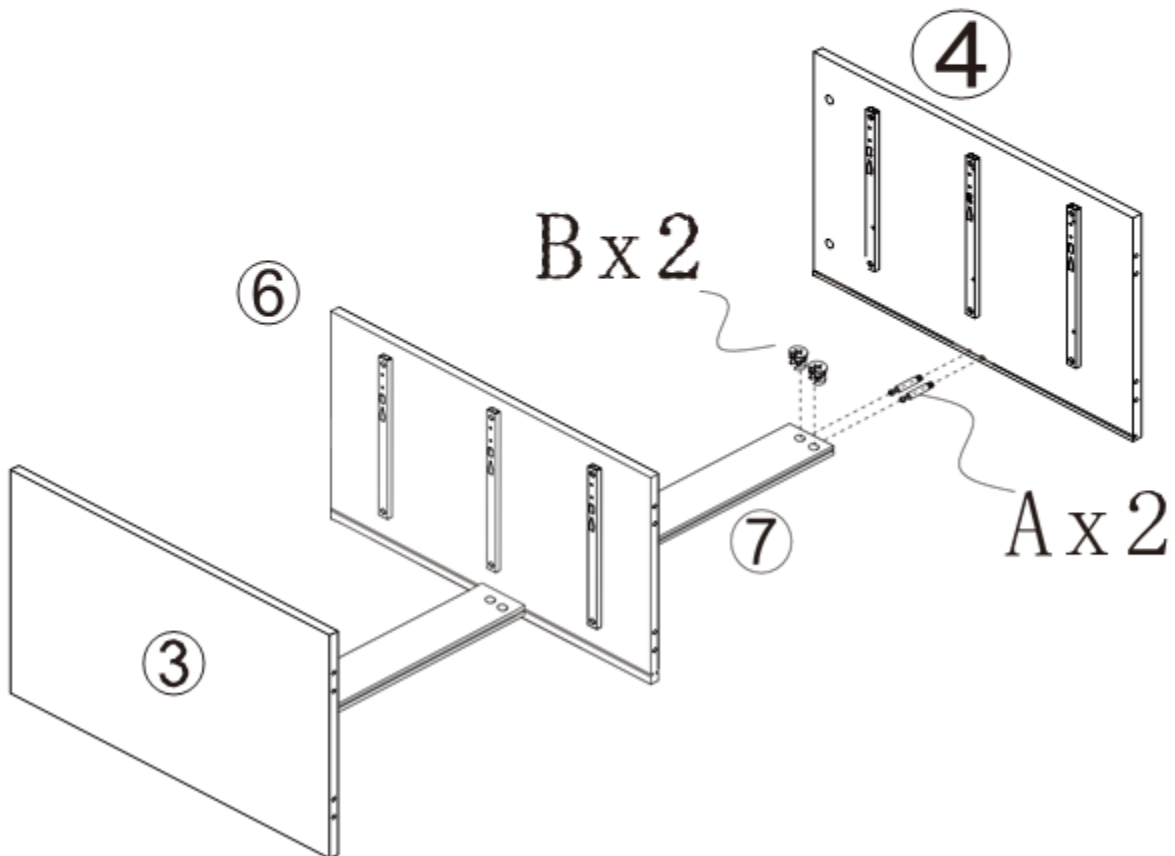
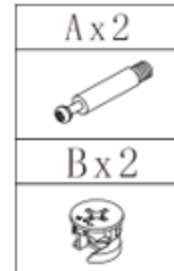
THIS STEP TO BE ACCOMPLISHED
BY TWO PERSONS



Product Name:	Black and Brown Wood 6-Drawer Rattan Dresser
SKU #:	WHIF1825

Step 6: Connect Panel 4 to panel 7 using hardware A and B.

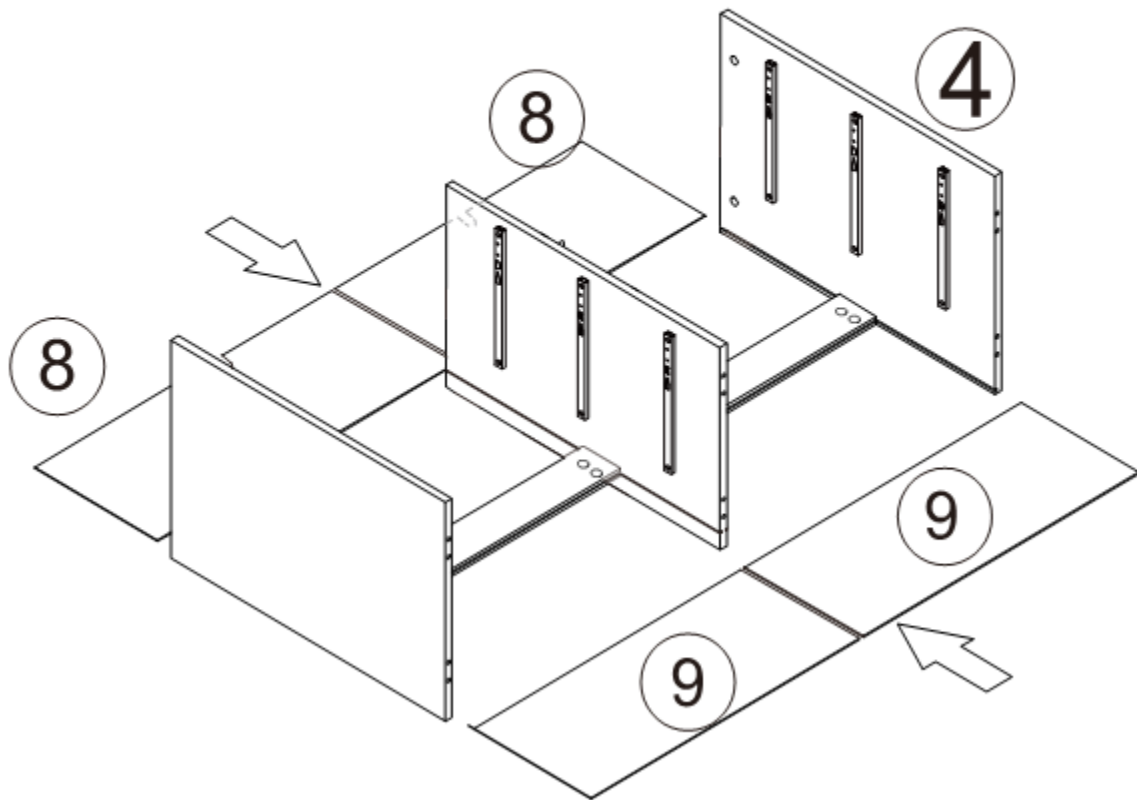
THIS STEP TO BE ACCOMPLISHED
BY TWO PERSONS



Product Name:	Black and Brown Wood 6-Drawer Rattan Dresser
SKU #:	WHIF1825

Step 7: Insert panels 8 and 9 along the slots of panels 3, 6, and 4.

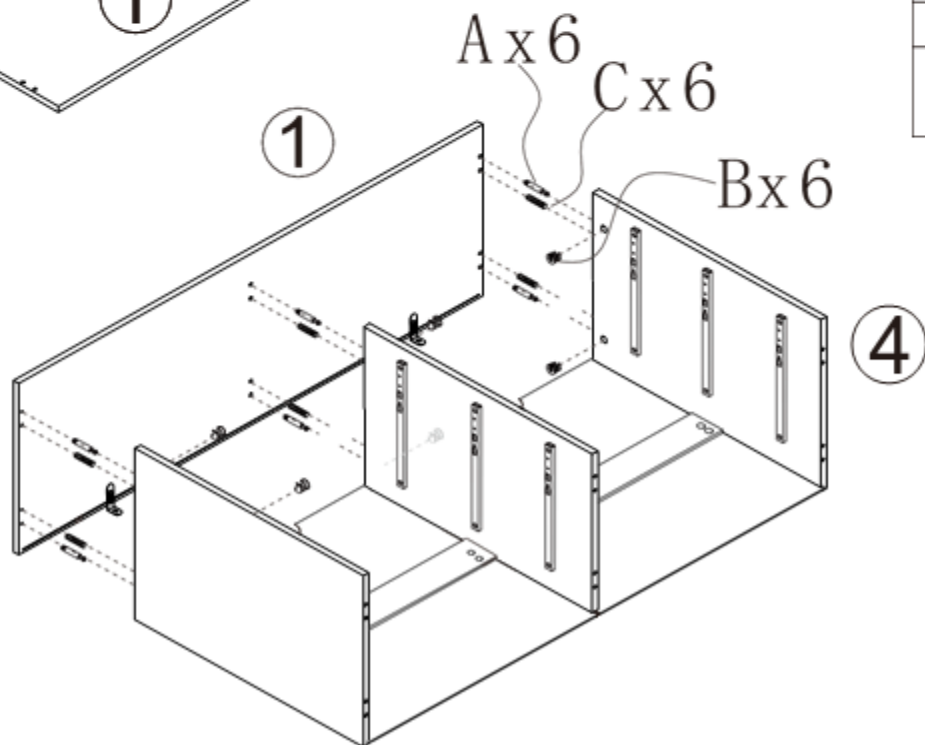
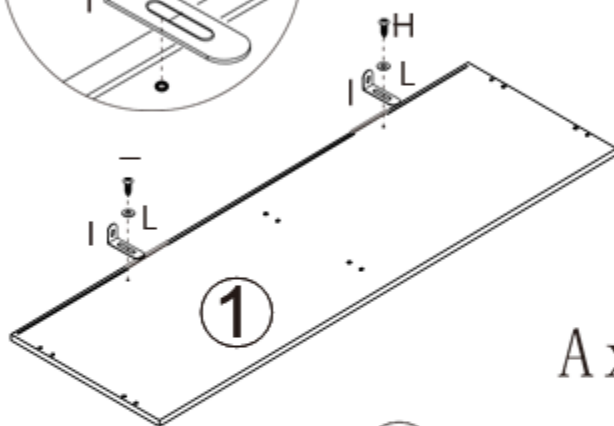
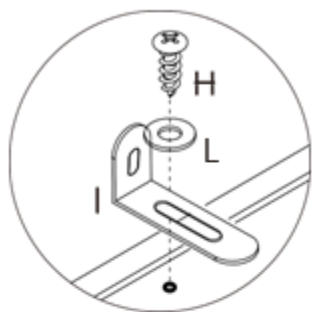
THIS STEP TO BE ACCOMPLISHED
BY TWO PERSONS



Product Name:	Black and Brown Wood 6-Drawer Rattan Dresser
SKU #:	WHIF1825

Step 8: Attached hardware I to Panel 1 with hardware H and Q. Lock panel 1 to the assembled panels 3, 6, and 4 with hardware C, A, B (do C and A first).

THIS STEP TO BE ACCOMPLISHED BY TWO PERSONS





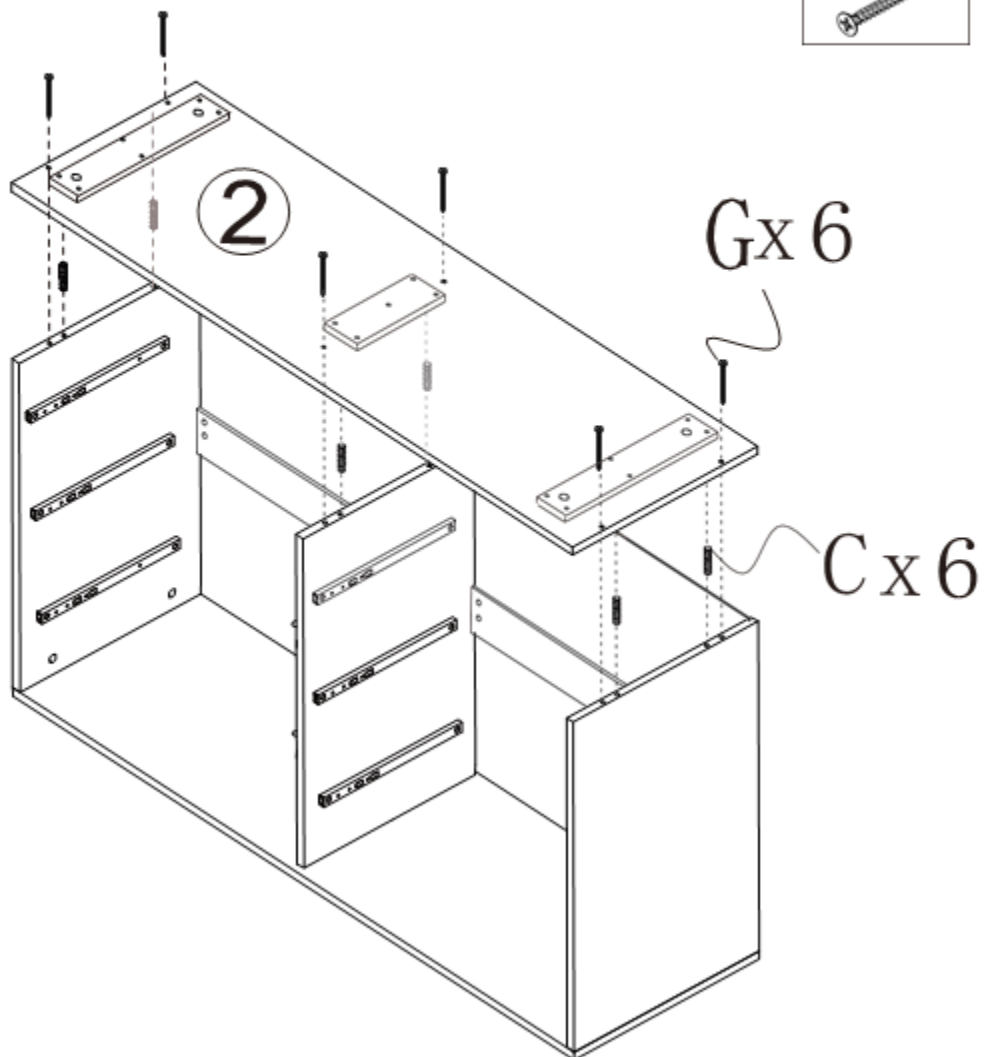
A x 6	
B x 6	
C x 6	
H x 2	
I x 2	
L x 2	

Product Name:	Black and Brown Wood 6-Drawer Rattan Dresser
SKU #:	WHIF1825

Step 9: Lock panel 2 to the assembled section of panels 4, 6, and 3 with hardware C and G (C first).

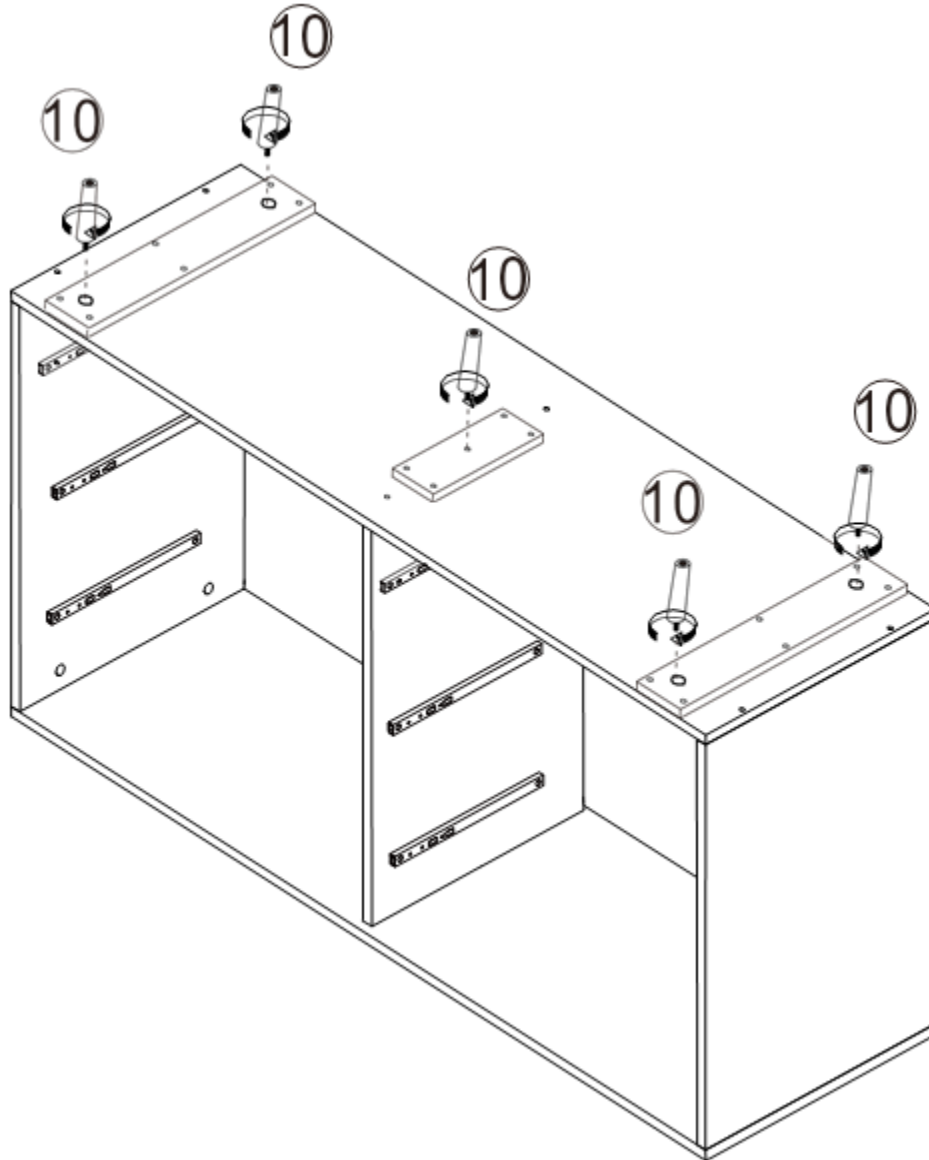
THIS STEP TO BE ACCOMPLISHED
BY TWO PERSONS

C x 6

G x 6




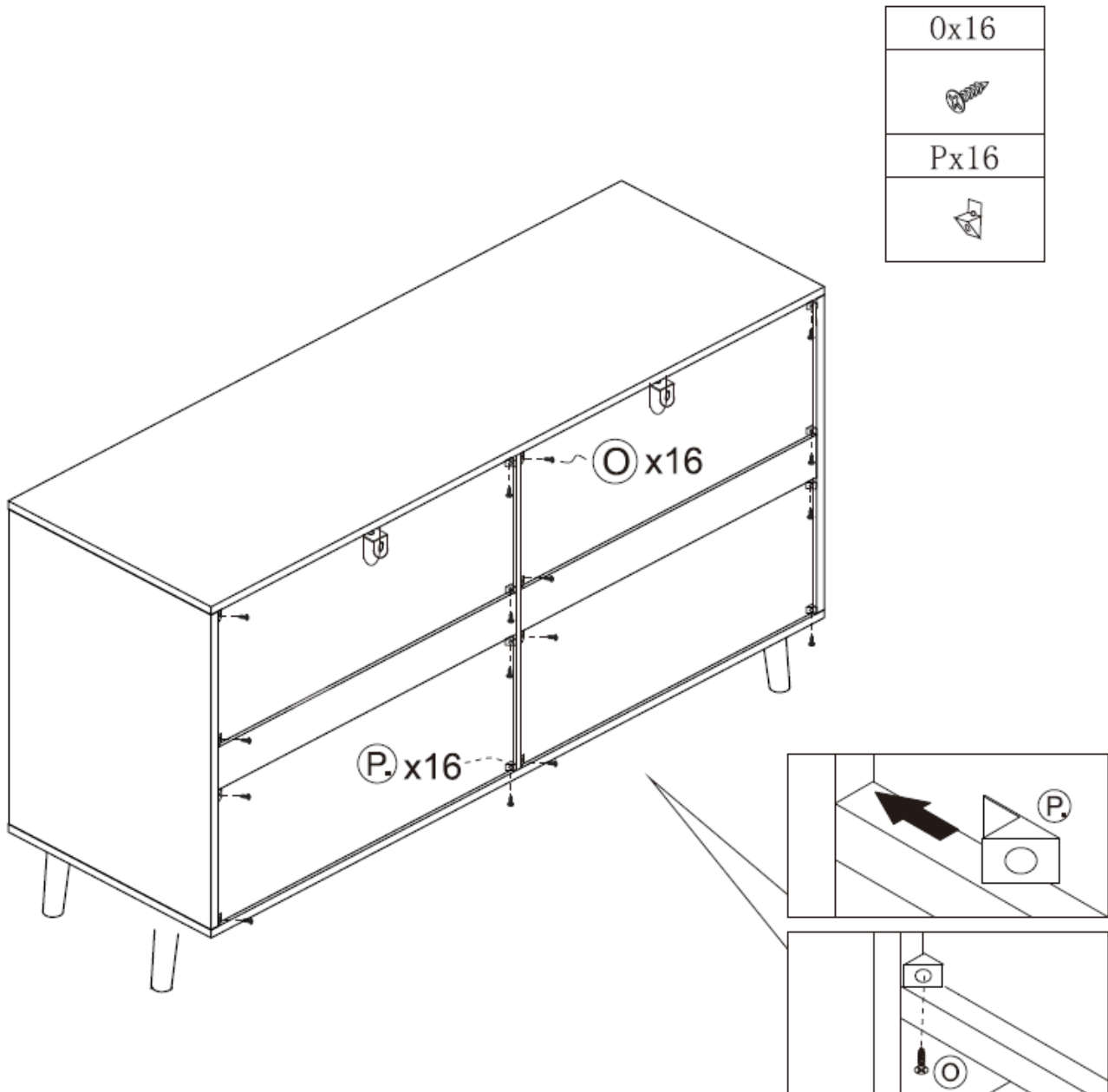
Product Name:	Black and Brown Wood 6-Drawer Rattan Dresser
SKU #:	WHIF1825

Step 10: Screw in the legs (10) into assembled panels 5 and 9.






Product Name:	Black and Brown Wood 6-Drawer Rattan Dresser
SKU #:	WHIF1825

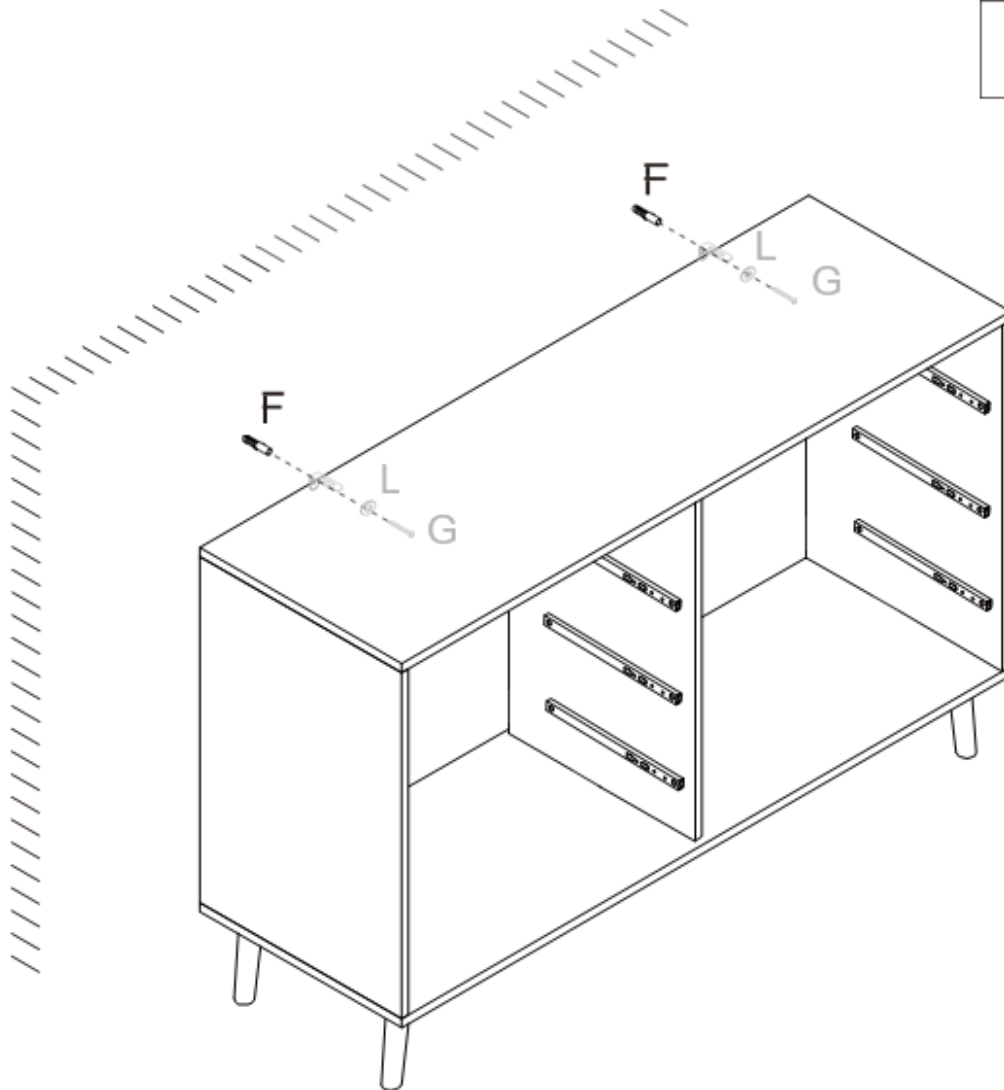
Step 11: Carefully flip dresser right side up. To stabilize the dresser body, lock hardware P at the 16 corners of the dresser backboard with hardware O.



Product Name:	Black and Brown Wood 6-Drawer Rattan Dresser
SKU #:	WHIF1825

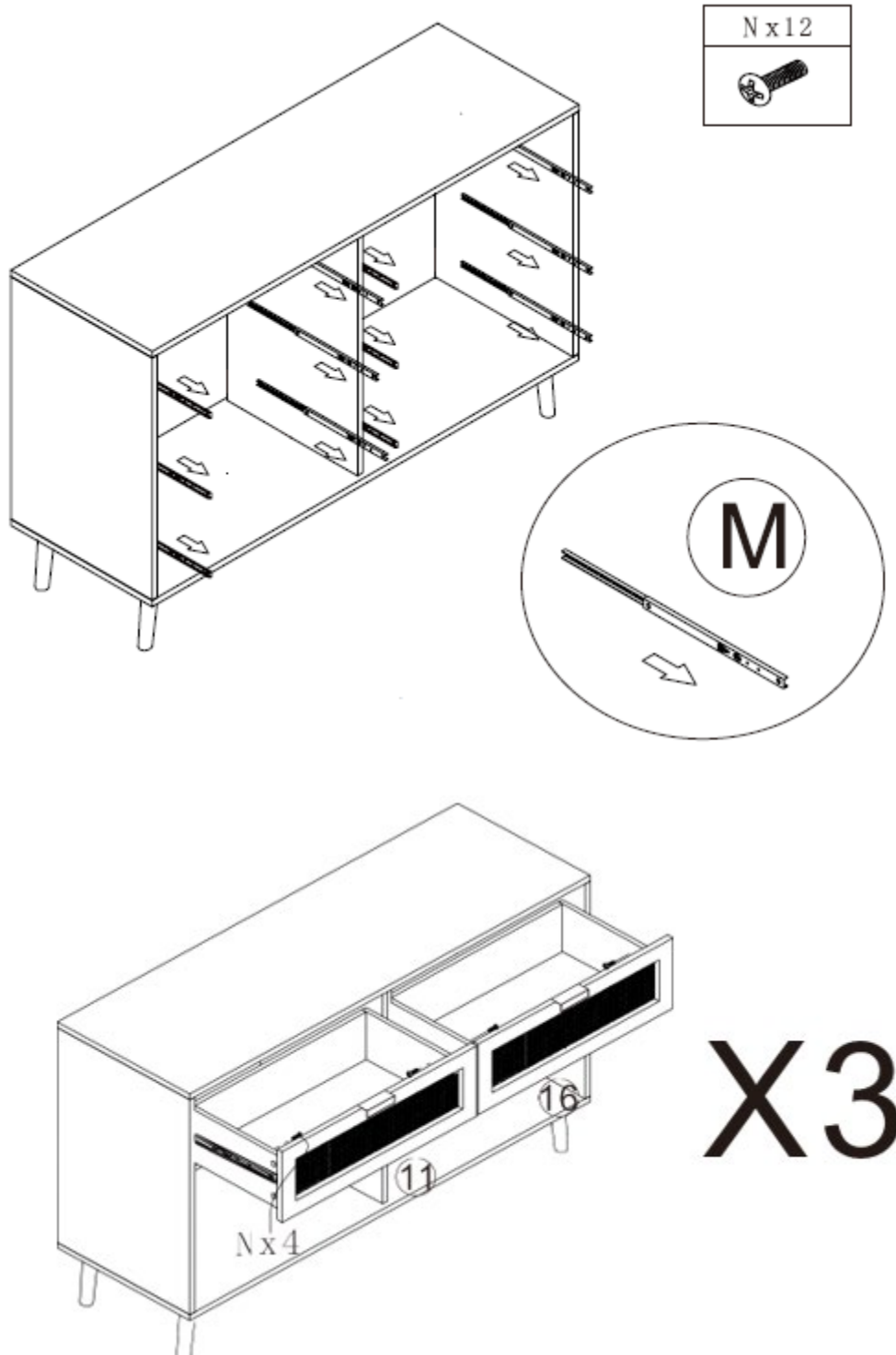
Step 12: Secure the dresser to the wall using hardware F.


Fx2

Gx2

Lx2




Product Name:	Black and Brown Wood 6-Drawer Rattan Dresser
SKU #:	WHIF1825

Step 14: Extend hardware drawer glide M and secure to each drawer using hardware N.



 **Warning:** DO NOT sit or stand on the chest as this may damage the product and cause serious bodily injury.