

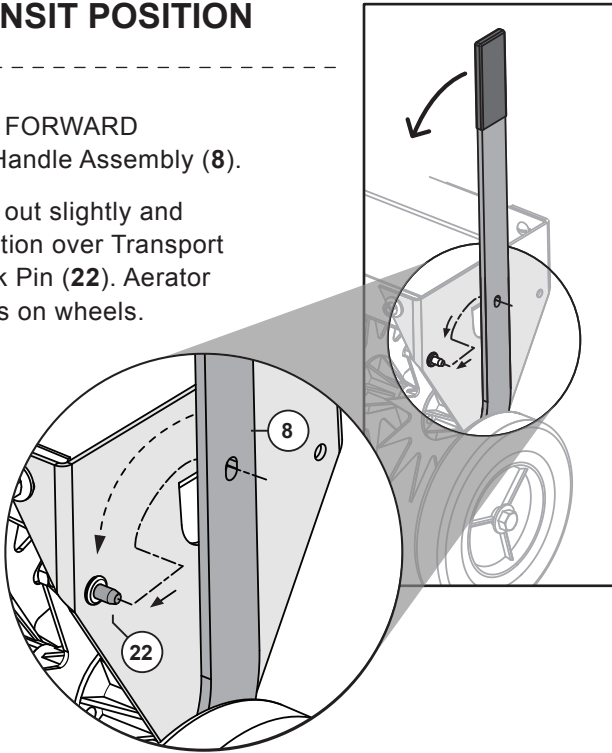
# OPERATION



**CAUTION:** Avoid damage to tines. Engage the transport wheels when crossing concrete or asphalt driveways and walkways.

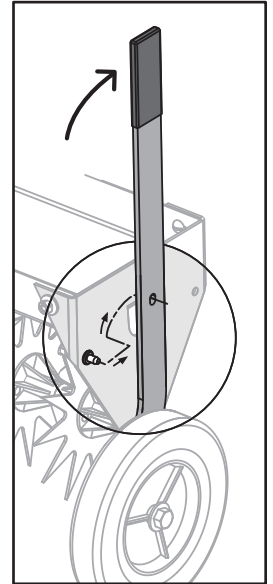
## TRANSIT POSITION

- Pull FORWARD on Handle Assembly (8).
- Pull out slightly and position over Transport Lock Pin (22). Aerator rests on wheels.



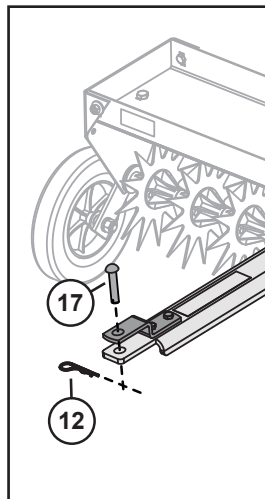
## OPERATING POSITION

- Pull OUT on the Handle Assembly (releasing from Transport Position) and push Handle BACK.
- Aerator should rest on Tines.



## INSTALLING

1. Park machine safely. (See towing vehicle manual).
2. Align the aerator clevis with towing machine drawbar.
3. Install drawbar pin (17) through clevis and machine drawbar. Secure drawbar pin with Hairpin Cotter (12).



**CAUTION: AVOID INJURY!** Make sure feet and hands are clear of Tine Tips.

Avoid injury! Do not operate lift handle unless attachment is installed to towing vehicle

## REMOVING



**CAUTION: AVOID INJURY!** Keep body parts away from under drawbar. Do not disconnect aerator from the towing vehicle with weight on the tray.

1. Secure towing vehicle parking brake. (See towing vehicle manual).
2. Place Aerator in the Transport Position.
3. Unload Aerator tray.



**CAUTION: AVOID INJURY!** Keep body parts away from under drawbar. Do not disconnect aerator from the towing vehicle with weight on the tray.

4. Remove cotter pin and drawbar pin.
5. Push aerator away from towing vehicle.
6. Install drawbar pin and cotter pin to towbar for storage.

# OPERATION



**CAUTION: AVOID INJURY:** Excessive towed load can cause loss of control on slopes. Stopping distance increases with speed and weight of the towed load. Total towed weight must not exceed combined weight of towing vehicle, ballast and operator.

## USING THE WEIGHT TRAY

The following maximum loaded weight capacity is the weight of the aerator plus the weight loaded in the tray:

MODEL	WEIGHT CAPACITY
SAT2-40BH1-S	42 lbs. (Empty)
	150 lbs. (Max Load)
	192 lbs. Max Towed Weight



**CAUTION: AVOID INJURY!** Keep body parts away from under drawbar. Do not disconnect aerator from the towing vehicle with weight on the tray.

Towing capacity will vary with weight of towing vehicle and operator. Add the weight of your machine to operator weight to find the maximum capacity for towing.

## SPEED

The best operating speed is 3 mph or less.



## DEPTH / PENETRATION

- Weight should be added to tray after installing to the towing machine. Weight should be secured by rope, straps, or other suitable means to contain the weight in the tray.
- Weight tray maximum capacity = 150 pounds.
- **Moderate soil moisture is important for proper penetration.**
- Extremely dry conditions will not permit penetration and may damage the tines. Extremely wet conditions will cause full penetration to the tine spacers. This condition will cut slots in the turf.

## FREQUENCY

Aeration is not accomplished in a single pass. It will normally take several passes over the lawn. Alternating the direction by 90° will improve the aeration effect.

The aerator may be used in an independent operation or may be used when mowing your lawn.

# MAINTENANCE / SPECIFICATIONS



**CAUTION: Avoid Injury!** Keep body parts away from under drawbar.  
Do not disconnect aerator from the towing vehicle with weight on the tray.

## MAINTENANCE



- After the first 30 minutes of use check all fasteners for tightness.
- Tines are manufactured with galvanized steel to resist wear of abrasive soil. Striking objects can cause tines to curl or break. Contact our Customer Service Department to purchase replacement Tines (Part # 1018833).
- **PREVENTING RUST:** Aerators are essentially maintenance free. However as with any steel product, it can rust. Apply a light coat of oil on tines after use to prevent rust. For rust appearing on painted surfaces, sand lightly and coat with enamel.
- Periodically remove debris that builds up between tines.
- Apply lubricating oil at each tine and bearing before use.

## STORAGE



**CAUTION:  
AVOID INJURY!**

The Aerator Tines are very sharp. Care should be taken when choosing a storage location for this product.

- Store Aerator in low traffic aiseways.
- Store Aerator with the tine points facing the wall or ground.
- Store Aerator on the ground or low to the ground.
- Do not store Aerator hanging from the wall, ceiling or with Tine points facing outward.
- Product packaging can be used to offer a protective area around the Tines.
- Drawbar is a trip hazard. Avoid leaving Drawbar in aisle ways and walking paths.

## SPECIFICATIONS

Maximum Towing Speed . . . . .	5 mph.
Maximum Load . . . . .	150 lbs.
Empty Weight . . . . .	42 lbs.
Maximum Towed Weight . . . . .	192 lbs.

# CUSTOMER SERVICE

---

---

## SERVICE

### QUALITY CONTINUES WITH QUALITY SERVICE

If you have installation questions, are missing parts or need replacement parts, don't go back to the store!

Please find your product serial number and model number, then contact our Customer Service department:



In North America and Canada call  
Toll-Free: **877-728-8224**



Chat online: **www.brinly.com**



Email: **customerservice@brinly.com**



## ONLINE

### BRINLY.COM

Additional info and videos are available on our website. Please visit the URL above OR scan this QR code.

SAT2-40BH1-S



## NOTES

---

---

---

---

---

---

---

---

---

---