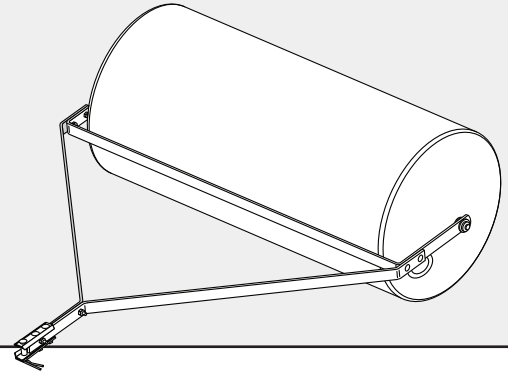


USE AND CARE

MODELS:

- | | |
|--------------------|----------------------|
| PRC-241BH | PRT-361SBH |
| PRC-241BH-A | PRT-361SBH-A |
| PRT-361BH | PRT-481SBH |
| PRT-361BH-A | PRT-481SBHC-A |



SPECIFICATIONS

Best Speed for Quality Results 3 mph

PRC-241BH (-A)

Working Width 24"
Max. Drum Capacity 28 gallons

PRT-361BH (-A)

Working Width 36"
Max. Drum Capacity 76 gallons

PRT-361SBH (-A)

Working Width 36"
Max. Drum Capacity 42 gallons

PRT-481SBH (C-A)

Working Width 48"
Max. Drum Capacity 54 gallons

INSTALLING THE ROLLER

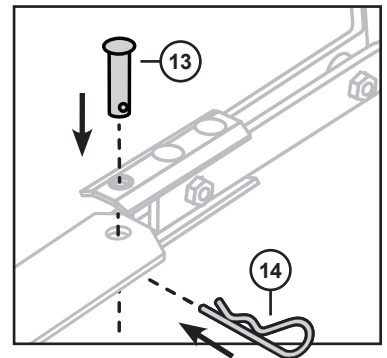
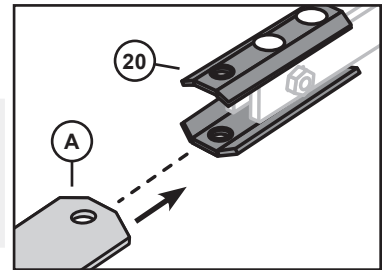
PRT-361BH, PRT-361SBH and PRT-481SBH



CAUTION: AVOID INJURY!

Keep body parts away from under Drawbar and Bed.

1. Park towing vehicle safely using the parking brake (*See towing vehicle operator's manual*).
2. Align Cart Clevis (20) with towing vehicle hitch plate.
3. Install the hitch pin (13) through the Clevis (20) and secure with a Hitch Pin Cotter (14).



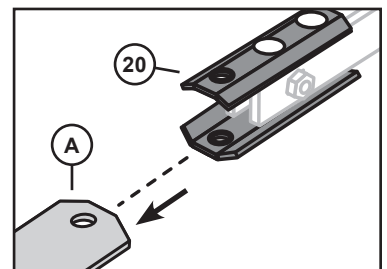
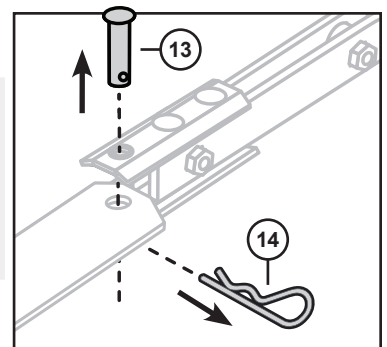
REMOVING THE ROLLER



CAUTION: AVOID INJURY!

Keep body parts away from under Drawbar. Do not attempt to disconnect Cart from towing vehicle with weight in the Bed.

1. Park towing vehicle safely and set the parking brake (*See towing vehicle operator's manual*).
2. Remove Hairpin Cotter (14) and Hitch Pin (13) from Clevis. Push Cart away from the towing vehicle.
3. Reinstall Hitch Pin (13) and Hairpin Cotter (14) to Clevis (20) for storage.



NOTE: Emptying the roller after each use will reduce the occurrence of flat spots.

USE AND CARE

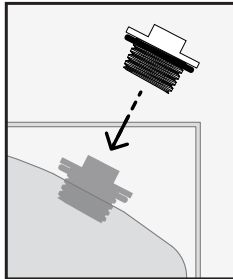
OPERATION



CAUTION! Do not overload your Tractor / Rider. Roller fully loaded with water weighs:

PRC-241BH & PRC-241BH-A	= 270 lbs
PRT-361BH & PRT-361BH-A	= 690 lbs
PRT-361SBH & PRT-361SBH-A	= 390 lbs
PRT-481SBH & PRT-481SBHC-A	= 485 lbs

- Refer to tractor manual to determine proper towing capacity of your Tractor / Rider.
- Fill the roller with amount of water recommended for your tractor / rider. Screw in the plug and tighten securely.
- The plug has an o-ring to create a seal and prevents the drum contents from leaking out.
- For longest life, drain the roller, leave the plug out, and if possible, hang the roller when not in use to prevent possibility of developing a flat spot.
- If a flat spot develops on the roller during storage, ensure roller is empty then leave out in the sun to warm and roll around to reduce flat area.
- *Please note that sand may be used in place of water with no risk of freezing.*
- Ground condition is vital to good leveling. Soil should be moist, but not muddy.
- Refer to your Tractor or Riding Mower Owner's manual for proper towing capacity and safe operation of your towing equipment. Towing / Stopping distances will be greatly affected by added weight of roller.



MAINTENANCE



- The key to years of trouble-free service is to keep your Lawn Roller clean and dry.
- Occasionally check all moving parts for free movement and, if necessary, lubricate with oil.
- Should rust develop, sand lightly and then paint area with enamel.
- Periodically check all fasteners for tightness.



TRACTOR / RIDING MOWER SPEED

Rollers yield the best results when ground conditions are correct, and equipment is operating at **less than 3 mph**.

CALIBRATING YOUR TRACTOR TO 3 MPH:

Measure a distance of 20 feet on a flat, level surface. Adjust tractor throttle and select a gear to cover this distance in 4.5 seconds.

We recommend the following steps for the care of your Roller to prevent flat spots:

For longest life, drain the roller and leave the plug out.

If possible, hang the roller when not in use to prevent the potential occurrence of the drum developing a flat spot.

If a flat spot develops during storage, first ensure the roller is empty. Next, leave it out in the sun to warm (*we recommend sitting it out on pavement for at least one day*).

Once this is complete, roll it around to reduce the flat area.

USE AND CARE

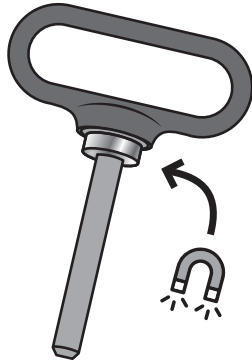
OPTIONAL ACCESSORIES

MAGNETIC HITCH PIN MHPK-12BH

This quick-connect magnetic hitch pin can replace a regular cotter pin for an extra-strong, convenient upgrade.



- Diameter: 1/2"
- Pin Length: 3"



SERVICE



QUALITY CONTINUES WITH QUALITY SERVICE

If you have installation questions, are missing parts or need replacement parts, don't go back to the store!

Please find your product serial number and model number, then contact our Customer Service department:



In North America and Canada call
Toll-Free: **877-728-8224**



Chat online: **www.brinly.com**



Email: **customerservice@brinly.com**

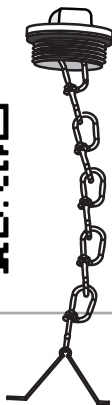
STANDARD PLUG 1019261

This is our standard plug, compatible with all the roller models.



TETHERED PLUG 1019524

The tethered plug can be attached, compatible with all roller models.



NOTE:

Additional accessories are also available in our Parts Store online: shop.brinly.com

ONLINE

Additional info and videos are available on our website (www.brinly.com) OR scan one of the following QR codes:

PRC-241BH
and PRC-241BH-A



PRT-361BH
and PRT-361BH-A



PRT-361SBH
and PRT-361SBH-A



PRT-481SBH
and PRT-481SBHC-A

