

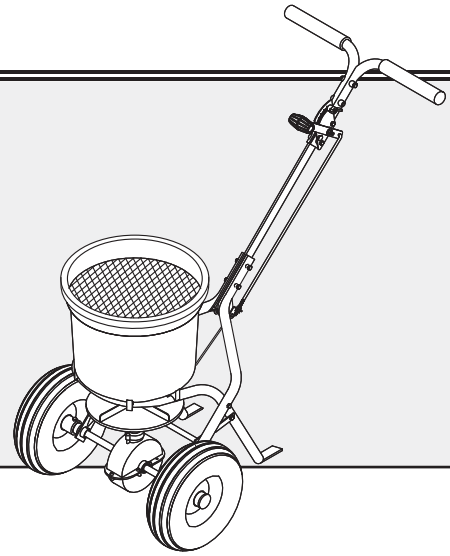
# USE AND CARE

MODELS:

**P20-500BH**

**P20-500BHDF-A**

**USE AND CARE SECTION**



## SPECIFICATIONS

Hopper Capacity . . . . . 50 lbs  
Spread Width . . . . . 8'-12'  
Wheel Type . . . . . Pneumatic  
Wheel Size . . . . . 12" x 3"  
Inflation Pressure . . . . . 30 psi

*Tire pressure may be reduced to increase wheel traction or to reduce shock, although it should not be reduced to below 70% of the maximum rated pressure.*

### Dimensions

- Product Length . . . . . 36 in  
- Product Width . . . . . 23 in  
- Product Height . . . . . 38 in

## OPERATING SPEED

**Practice walking with the spreader, opening and closing the rate gate at the appropriate times.**

Travel at a constant speed and operate the spreader lever position. Remember: Open the rate gate after the spreader is in motion at operating speed (*about 3 mph, or at a brisk walking pace*).

Close the rate gate while spreader is still at operational speed.

## FLOW CONTROL SETTING INFORMATION

The flow control lever operates the control plate. The control lever plate is marked 0-30. The position selected determines the amount of material to be broadcast. The higher the number, the heavier the application of the material. This allows for accurate control of the spreading rate.

The fan speed and the spread width are controlled by the speed at which you operate the spreader. The spread width also depends on the volume/density, and the particle size of the material.

The spread thins or feathers at the outer edges, eliminating sharp, "Edge Of Spread" lines which cause stripes and streaks. Extra coverage can be given under trees and other heavy feeding areas without showing "Edge Of Spread" lines.

Gaps and double overlaps are less likely. Small errors in travel are forgiven and do not show.

# USE AND CARE

## READ BEFORE USING:

Become familiar with the operation of the spreader BEFORE you put material in the hopper.

## FILLING THE SPREADER



**WARNING: AVOID INJURY!**  
Chemicals can be dangerous.  
Avoid injury to operator or bystanders:

- Read chemical container label for handling instructions. A Material Safety Data Sheet (MSDS) should be supplied by the chemical dealer and provides proper safety information.
- Wear proper clothing and safety equipment while handling or applying chemicals.
- Prohibit all smoking, drinking, and eating around chemicals.
- When spreading products containing herbicides, exercise extreme caution with respect to careless spreading and to wind-drift. CONTACT OF SOME PRODUCTS ON SOME PLANTS CAN BE FATAL.

## OPERATING TIPS

- Push flow control lever down towards the hopper to close the rate gate.
- Fill the spreader on a flat, level surface only. Fill on sidewalk, driveway, cardboard, etc. to avoid material loss.
- DO NOT overload with more than the maximum capacity of 50 lbs.
- DO NOT use on windy days.
- When filling hopper with material, always use screen to help break up clumps.
- Keep spinner blade clean. Excess material build-up can cause an uneven spread pattern.
- Keep the impeller level when spreading.

## SPREADING MATERIAL

Determine setting required for the product you are spreading (See Application Rate Chart). If a setting is not found, use a similar size/weight material. Determine a flow control setting on the low side. If the setting proves to be too low, cover the area more than one time. A higher setting can be used when a proven setting is established. Generic Grass Seed and Fertilizer Settings are shown at the end of the list.

*REMEMBER: Published flow control settings are approximate only. The operation of the spreader, the condition of the material (damp or dry or over-pulverized) and weather conditions, are all contributing factors. For these reasons, it is often a good idea to spread the area 2 times - or one-half rate - in cross directions. One-half rate settings are highly recommended under damp and humid conditions.*

## ROTARY AGITATOR

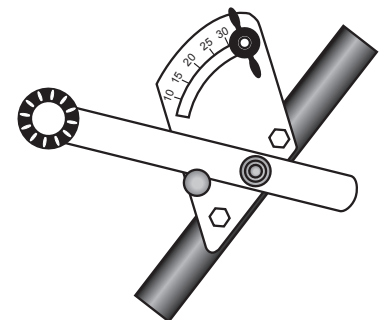
**Use the rotary agitator only if needed.**

*Free-flowing, lump-free materials will not require the agitator. The rotary agitator is easily installed or removed.*

Never leave fertilizer or other material in the hopper. It can draw moisture, form clumps, and cause unnecessary rusting or jamming of controls and other parts. Ice melt residue is especially corrosive. Clean and oil spreader immediately after each use.

**NOTE:**

*When determining required setting, the edge of the wingnut is the marker, and not the center of wingnut. When the flow control handle is opened fully, the edge of the wingnut should be on the 30 mark.*

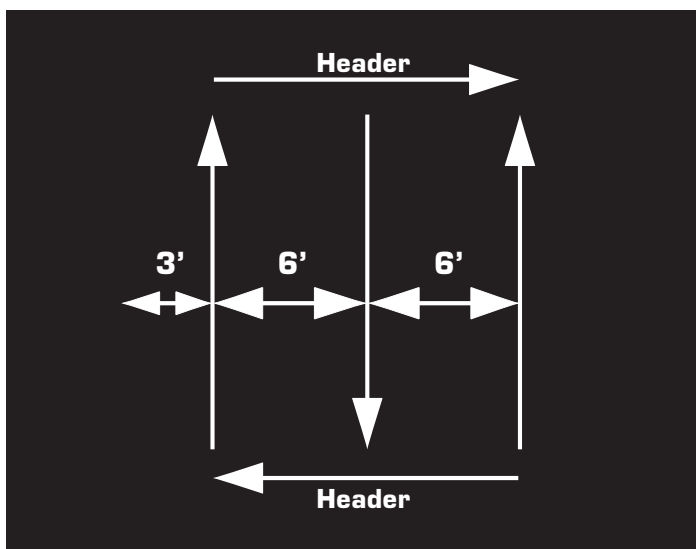


**IMPORTANT: REMEMBER TO START AND STOP THE SPREAD WHILE MOVING.** Do not open the flow control lever while stopped or material will simply run onto the ground without being spread.

# USE AND CARE

## HEADER STRIPS

Spread header strips at each end of area. This allows a turn-around area to align spreader for next pass. Then start on the edge of the area to be spread. Spread until you hit the header area. Turn the flow control handle to off while still moving. Make your turn and start down the next row. Turn the flow control handle back on as you hit the edge of your header area. Turn the flow control handle on while moving.



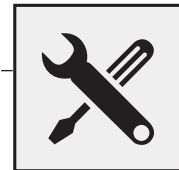
## SPREADING ICE MELT

- Remove screen from hopper to prevent damage.
- Start with flow control setting at 20 and make a trial pass. Adjust as needed to increase or decrease coverage.
- When complete be sure to thoroughly clean spreader as ice melt can be highly corrosive.
- Re-install screen when complete.

## CALIBRATING SHUT OFF PLATE

See Steps 6 and 7 on pages 8 - 9.

## MAINTENANCE



- To ensure years of trouble-free service, clean the spreader thoroughly after each use. Move flow control handle as you rinse to avoid build up of material.
- For rust on frame parts, sand lightly and paint with enamel.
- Periodically lubricate all bearing surfaces.
- Never allow material to remain in hopper for extended periods of time.
- Periodically check all fasteners for tightness.

## TROUBLESHOOTING

### Flow control handle is hard to actuate or will not move:

Check for buildup of material between bottom of hopper and shut off plate. Clean as needed.

# APPLICATION RATE CHART

Media	lbs / 1000 square feet	Flow Control Setting at 3MPH
-------	------------------------	------------------------------

## All American

All Purpose Fertilizer 10-10-10.	10	16.0
----------------------------------	----	------

## Bayer

Season Long Grub Control	3.8	15.0
	2.9	13.5
Complete Insect Killer	3	13.5
	2	12.0
Power Force Multi-Insect Killer	3	12.0
	2	11.0
Grub Control	3	12.0
	2	12.0
Lawn Fertilizer Plus Weed Control II 30-3-4	3.2	13.5
Season Long Grub Control	3.8	13.5
Season Long Grub Control	2.9	12.0
Lawn Starter Fertilizer 20-27-5	3.6	13.5
Lawn Fertilizer Plus Crabgrass Preventer 30-3-4	3.2	13.5

## Eliminator

Ant, Flea, and Tick Killer Granules	3	13.5
	2.5	12.0
	2	12.0
5% Diazinon Insect Killer Granules	2	13.5

## Howard Johnsons

All-purpose Fertilizer 8-8-8	7	15.0
All-purpose Fertilizer 10-10-10	7	15.0
All-purpose Fertilizer 12-12-12	7	15.0
Ironite 1-0-0	5	13.5

## Klay

Soft Pelletized Gypsum Soil Conditioner	4	13.5
	3	12.0
	2	12.0

## Lesco

46-0-0	2.2	15.5
39-0-0	2.6	15.5
34-3-11	2.9	16.0
32-3-8	3.1	16.0

Media	lbs / 1000 square feet	Flow Control Setting at 3MPH
-------	------------------------	------------------------------

## Lesco, continued

30-3-7	3.3	16.0
28-5-12	3.6	16.0
24-5-11	4.2	16.0
19-19-19	5.3	16.0
18-24-12	4.2	15.0
24-2-11	4.2	15.0
26-2-11	3.8	15.5
24-0-11	4.2	16.0
18-0-18 Fall/Winter	4.2	16.0
17-17-17 All Purpose	5.9	16.0
16-4-8	6.3	16.0
15-5-10	6.7	16.0
15-0-15	6.7	16.0
Atrazine +17-2-11	6.0	16.0
Dimension .015% +19-3-6	3.5	16.0
Mach 2™ 1.33% +24-5-11	3.4	16.0
Merit® 0.2% +24-5-11	3.5	15.5
Momentum® + Fertilizer	3.6	15.0
PCNB 12.5% 10-0-20M 75%PPSCU	4.0	15.5
PRE-M® 1.5% + Fertilizer	2.3	15.0
PRE-M® 0.86% + Fertilizer	4.0	16.0
Talstar® 0.069% + Fertilizer	3.3	16.0
Weed & Feed +18-0-9	4.0	15.5
Weed & Feed +18-2-9	4.0	15.5
Dylox® 6.2*	3.0	16.0

## Master Turf

Ultimate Tall Fescue Blend	8	17.0
	4	15.0
Milogranite 6-2-0	8	17.0
	16	20.0

## Miracle-Gro

Lawn Fertilizer plus Weed Control 28-3-3	3.2	13.5
Starter Lawn Fertilizer 20-27-5	3.6	13.5
Starter Lawn Fertilizer 29-3-4	3.1	12.0

# APPLICATION RATE CHART

Media	lbs / 1000 square feet	Flow Control Setting at 3MPH
-------	------------------------	------------------------------

## Ortho

Lawn Insect Killer Granules	9.6	16.0
	4.8	13.5
	2.4	11.5
	1.2	11.5
Max Insect Killer for Lawns	4	13.5
	2	12.0
	1	11.5

## Parkers

Super Soilife Lawn & Garden Fertilizer 10-10-10	10	16.0
Super Soilife Lawn & Garden Fertilizer 16-4-8	6.5	13.5

## Pennington

Lawn Starter Fertilizer 18-24-6	3.6	15.0
Master Turf High Traffic Lawn Seed Mixture	10	18.0
	5	16.0
Master Turf Shady Lawn Seed Mixture	8	18.0
	4	16.0
Master Turf Sun & Shade Lawn Seed Mixture	10	18.0
	5	16.0
Lawn Food 27-4-6	3.6	16.5
Centipede Food 18-0-18	4.0	17.0
St. Augustine, Bahia & Bermuda Food 26-6-9	4.0	18.0
Fall Lawn Food 10-5-15	4.0	15.5
Crabgrass Preventer plus Fertilizer 5-10-25	4.0	16.5
Lawn Starter 18-24-6	3.6	16.5
Weed & Feed w/Atrazine 25-4-6	4.0	17.0
Fescue Food 28-5-10	4.0	16.5
Weed & Feed w/Triamine 25-4-6	3.6	16.5

## Real-Kill

Multi-Purpose Lawn and Garden Insect Killer	2	12.0
	2.5	12.0

## Rebel's

Supreme Blend Grass Seed for Sun & Shade	10	18.0
	5	16.0

Media	lbs / 1000 square feet	Flow Control Setting at 3MPH
-------	------------------------	------------------------------

## Ringer

Lawn Restore 10-2-6	10	18.0
---------------------	----	------

## Sam's Choice

Crabgrass Preventer 30-3-4	12.3	19.0
	8.1	16.0
	6	16.0
	5.4	15.0
Insect Control Plus Fertilizer 28-4-6	3	12.0
Lawn Food 29-3-4	3.2	13.5
Starter Fertilizer 20-27-5	6	16.0
	3.6	13.5

## Scotts

Classic Grass Seed Fall Grass Seed Mix	4	16.0
	2	13.5
Grubex	2.3	12.0
Grubex Season Long Grub Control	3.1	13.5
	2.3	13.5
Lawn Fungus Control	1.4	12.0
	2.7	13.5
Pure Premium Kentucky Bluegrass Mix	2.2	13.5
	1.1	12.0
Pure Premium Sun & Shade Grass Seed Mixture	2.5	13.5
	1.25	12.0
Starter Fertilizer 20-27-5	3.6	13.5
	5.9	13.5
Turf Builder 28-3-8	2.7	13.5
Turf Builder Lawn Fertilizer 29-3-4	3.1	12.0
Turf Builder with Summer Guard	2.7	13.5
Turf Builder Plus Weed Control	2.9	13.5
Winterizer 22-4-1	3.3	11.5
Turf Builder + Halt 25-3-3	3.6	15.0
Turf Builder Plus 2 Weed Control & Lawn Fertilizer 26-3-3	3.5	14.5
Turf Builder Lawn Fertilizer New Concentrated Nuggets 34-4-4	2.7	13.5
Starter Fertilizer 17-23-6	4.0	15.0
Lawn Disease Preventer	2.7	15.5
Lawn Weed Control 25-4-6	1.0	11.5
Turf Builder 28-3-3	3.2	17.0
	5.0	20.0
Weed & Feed 33-3-3	2.5	13.5

# APPLICATION RATE CHART

Media	lbs / 1000 square feet	Flow Control Setting at 3MPH
Scotts Pro Turf		
Fungicide VII 8-2-1	25.0	25.0
	12.7	27.0
	13.4	13.0
Turf Builder Lawn Fertilizer 29-3-4	8.2	15.5
Turf Starter w/ Poly S 16-26-12	4.1	18.0
Fertilizer + Fungicide VIII 23-3-3	1.6	13.5
HD Fertilizer + Iron 29-3-3	3.2	14.5
HD Fairway Fertilizer 32-3-10	3.1	16.5
Fertilizer with Minors 26-4-13	3.9	14.5
Hi K Greens Fertilizer 15-0-30	3.4	13.5
HD Starter (Small Granule) 19-26-5	3.5	14.5
Hi K Fertilizer 15-0-30	3.4	15.5
Moss Control 16-0-0	3.9	13.0
Iron-S 16-0-0	1.7	13.5
Super Greens Fertilizer 19-0-17	4.6	14.5
Turf Fertilizer + 2% Fe w/ Poly S 25-3-10	3.3	16.5
ProTurf Fertilizer w/ Poly S 34-3-6	2.8	16.5
NPK Turf Fert. w/ Poly S 21-3-20	4.6	16.5
Fungicide X	4.9	15.5
FF-II 14-3-3	4.7	13.5
Systemic Fungicide	2.6	15.0
Fertilizer Plus Preemergent Weed Control 22-4-4	3.3	18.0
	3.8	18.5
	4.5	19.5
	4.9	20.0
Turf Fertilizer Plus Preemergent Weed Control 22-0-6	3.8	18.5
	4.2	19.5
	4.9	20.0
	5.8	21.0
	6.1	22.0
	8.7	27.0
9.6	30.0	

Media	lbs / 1000 square feet	Flow Control Setting at 3MPH
Scotts Four Season Program		
Step 1 - Crabgrass Preventer plus Fertilizer	3	15
Step 2 - Weed Control plus Fertilizer	2.5	15
Step 3 - Insect Control plus Fertilizer	3.1	16.5
Step 4 - Lawn Fertilizer	2.8	15.5
Sevin		
Lawn Insect Granules	4.6	13.5
	2.33	13.5
	2.25	13.5
Spectracide		
Grub Stop	3	13.5
Triazicide Insect Killer Granules	3	11.5
Sta-Green		
Lawn Fertilizer 29-2-5	3.6	13.5
Lawn Weed Control	2	12.0
200 Plus Weed & Feed 28-3-3	3.2	13.5
Starter Fertilizer 18-24-10	3.6	13.5
Weed & Feed 28-2-4	3.2	13.5
Sun & Shade Grass Seed Mixture	10	18.0
	5	16.0
Vigoro		
Insect Control Plus Fertilizer	3	11.5
Starter Fertilizer	3.6	13.5
Turf Fertilizer 29-3-4	3.2	13.5
Ultra Turf Winterizer 22-3-14	3	12.0
Weed and Feed	3.2	13.5
Wal-Mart		
Gardens Kentucky Bluegrass Grass Seed	4	16.0
	2	13.5
Gardens Kentucky 31 Tall Fescue	8	18.0
	4	16.0
Weed & Feed 28-3-3	3.2	13.5

# APPLICATION RATE CHART

Media	lbs / 1000 square feet	Flow Control Setting at 3MPH
-------	------------------------	------------------------------

Generic Fertilizers (if you don't have any other method)	1	12
	2	13
	3	14
	4	15
	5	17
	6	18
	7	19
	8	20
	9	22
	10	24

Generic Grass Seed (if you don't have any other method)	2	18
	3	20
	4	22
	5	24

## SERVICE



### QUALITY CONTINUES WITH QUALITY SERVICE

If you have installation questions, are missing parts or need replacement parts, don't go back to the store! Please find your product serial number and model number, then contact our Customer Service department:



In North America and Canada call Toll-Free: **877-728-8224**



Chat online: **www.brinly.com**



Email: **customerservice@brinly.com**

### ONLINE: BRINLY.COM

Additional info and videos are available on our website. Please visit the URL above OR scan one of these QR codes:

P20-500BH

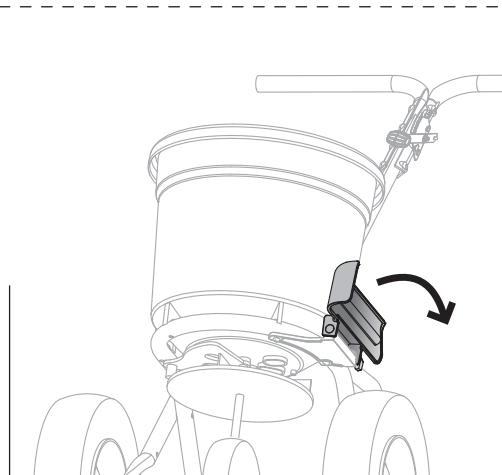


## OPTIONAL ACCESSORY

### DEFLECTOR KIT 1007520

Make sure that product is spread accurately and efficiently, reducing wasted distribution and protecting sections of your lawn from salt spread in the winter.

The deflector kit easily flips up and out of the way when not in use.



*NOTE: Additional accessories are also available in our Parts Store online: [shop.brinly.com](http://shop.brinly.com)*