

OPERATION

Figure 10.

The dethatcher can be used in two ways
 To set up for dethatching grass see step 1
 To scarify the ground see step 2

1-SETTING THE DETHATCH HEIGHT:

- To set the tine height select a smooth flat surface such as a drive way, sidewalk or garage floor.
- Place a 1/2" shim board to support the front and back row of tines as shown, the wheels must be on the flat surface.
- Use the slots in the frame bracket (19) to help level the dethatcher
- Be sure the tines are resting on the board and tighten the 5/16" x 1" carriage bolts (24) and 5/16" hex nuts (28) from Figure 3.
- After step 1 be sure both mounts (20) are level with the ground and tighten both set screws (43)

2-SETTING THE SCARIFY HEIGHT:

- To set the tine height select a smooth flat surface such as a drive way, sidewalk or garage floor.
- Use the slots in the frame bracket (19) to help level the dethatcher
- Be sure the tines are resting on the smooth surface and tighten the 5/16" x 1" carriage bolts (24) and 5/16" hex nuts (28) from Figure 3.
- After step 2 be sure both mounts (20) are level with the ground and tighten both set screws (43)

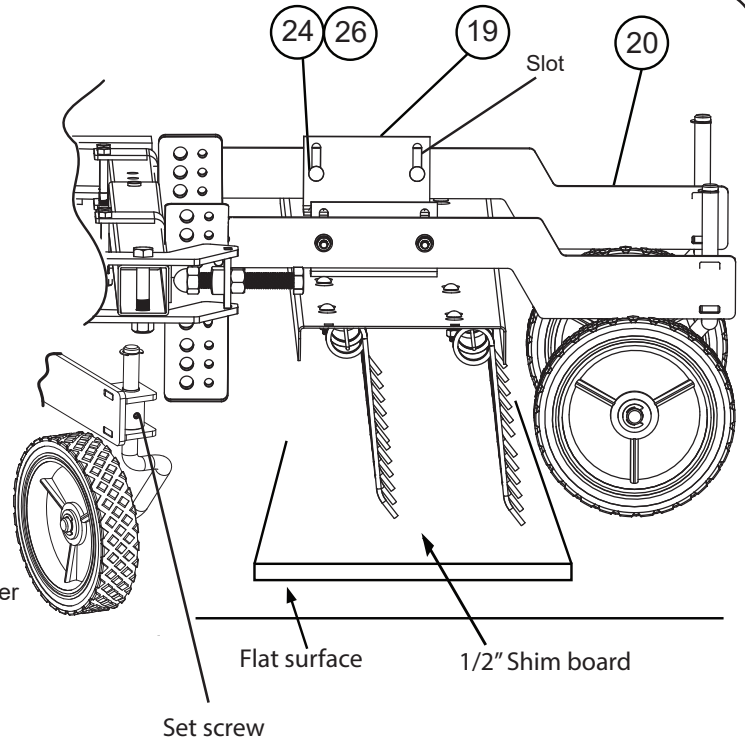
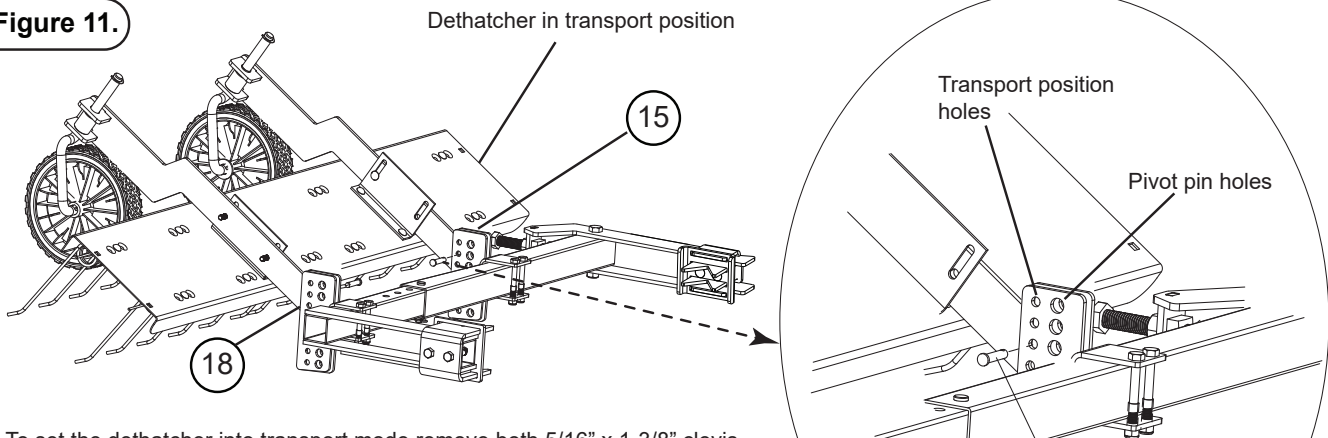
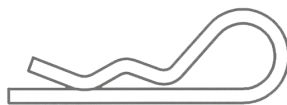


Figure 11.



To set the dethatcher into transport mode remove both 5/16" x 1-3/8" clevis pins (34) from both the pivot brackets (15) and (18). Rotate the dethatcher up as shown and replace both 5/16" x 1-3/8" clevis pins (34) into the next higher set of transport holes in the pivot brackets (15) and (18) and secure with hair pin cotter (36).



36
Hairpin Cotter, .08"
Qty. 2



34
Clevis Pin 5/16" x 1-3/8"
Qty. 2

OPERATION

USAGE



CAUTION: Avoid Injury! Avoid damage to tines. Use Transport Setting when towing the Dethatcher across concrete or asphalt driveways and walkways.

Safety Glasses should be worn when using the Dethatcher.

Excessive load can cause loss of control on slopes. Stopping distance increases with speed and weight of towed load.

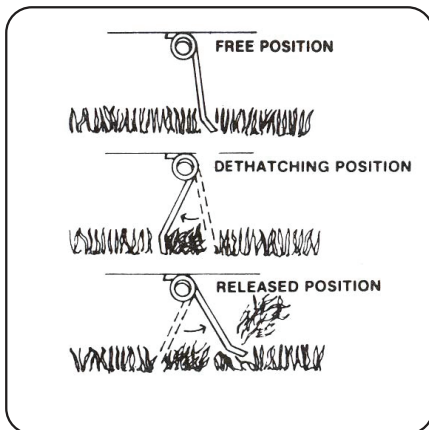
To use the front mounted dethatcher it is recommended that the front weight kit be removed, unless the ZTR manual or manual for rear attachment requires front weight ; then leave weight kit on and use as instructed.

DETHATCHER WEIGHT

NOTE do not put extra weight into the Dethatcher Tray:

Model	Weight
DTZ-48BH	70 lbs - (Dethatcher Dry Wgt.)

GRASS HEIGHT AND TINE ACTION



Grass should be less than 3" tall for proper Tine action in Dethatch Setting.

When in use, Tines on the Dethatcher should deflect back and 'flip' the thatch forward as shown.

If the Tines seem to drag without flipping forward, the Tray is too low and should be raised.

If the Tines stay in the free position, the tray is too high and should be lowered.

Make adjustments as necessary, up or down, by no more than 1/4" each time, until proper results are achieved.

If the Dethatcher appears to be 'jumping' or 'walking' during operation:

- Confirm the dethatcher Tine height is adjusted properly.
- Confirm all nuts and bolts that secure the dethatcher to the front mount are tight.

SPEED

The best operating speed is 3 mph or less. Maximum operating speed is 5 mph.

FREQUENCY

- You can dethatch your lawn in summer, fall and when the lawn is dormant in winter. Dethatching is not recommended during the start of active growth.
- An appropriate time to dethatch a cool-season lawn is early fall or early spring.
- An appropriate time to dethatch a warm-season lawn is early summer.
- A moderate to dry lawn condition is recommended when dethatching.
- It may take several passes to entirely dethatch your lawn. Make each pass in the same direction to avoid damage to grass roots.
- The process of dethatching can leave your lawn unsightly. Be patient. With proper fertilization and watering, your lawn will grow strong and full.
- The Dethatcher may be used in an independent operation or may be used when mowing your lawn.

STORAGE AND MAINTENANCE

MAINTENANCE

The key to years of trouble-free service is to keep your Dethatcher clean and dry.

After the first 30 minutes of use, check all fasteners for tightness. Thereafter, periodically check all fasteners for tightness.



CAUTION: Avoid Injury! Do not operate Dethatcher without Safety Wires installed. Failure to keep Safety Wires installed can result in personal injury if a Tine should disengage from the Dethatcher Tray.

Tines are manufactured and tested for high quality and durability. However, should a Tine need replacement, contact the Brinly-Hardy customer service department to purchase replacement Tines and Safety Wires.

Tines can be serviced as follows:

1. Straighten bend at the end of the Safety Wire and remove from Tine row.
2. Using a screwdriver or similar tool, pry the tabs open that are holding the Tine in need of service. Tabs can also be opened by tapping them down from the top of the Dethatcher Tray.
3. Remove Tine and replace with new Tine.
4. While holding the new Tine in position, bend the tabs back into the closed position.
5. Reinstall the Safety Wire.

Ensure to thread the Safety Wire through each Tine loop and holes in Tray tabs. Re-Bend end of the Safety Wire to hold Tine row. Ensure both bent ends of the Safety Wire are bent around the outer most Tine loop.

Apply a light coat of oil on tines after use to prevent rust.

For rust appearing on painted surfaces, sand lightly and paint affected area with enamel.

Periodically remove debris that builds up between Tines.

Check all moving parts for free movement and if necessary lubricate with oil.

STORAGE



CAUTION: Avoid Injury! The Dethatcher Tines are sharp. Care should be taken when choosing a storage location for this product.

Store Dethatcher in low traffic aisle ways.

Store Dethatcher with Tine points facing the wall or ground.

Store Dethatcher on the ground or low to the ground.

Do not store Dethatcher hanging from the wall, ceiling or with Tine points facing outward.

Drawbar is a trip hazard. Avoid leaving Drawbar in aisle ways and walking paths.