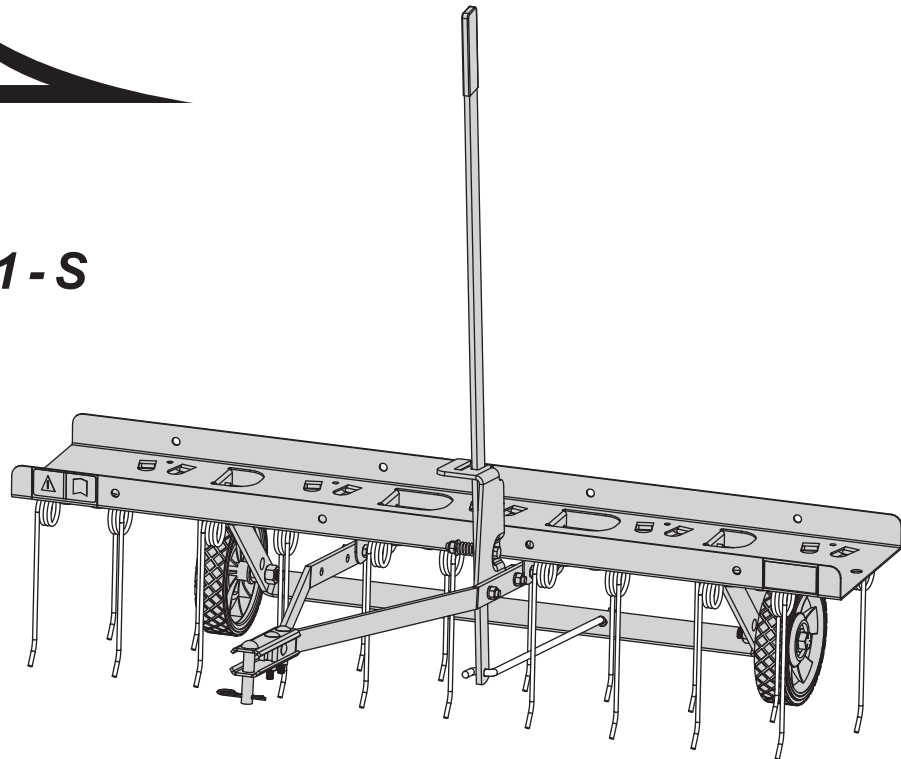


OPERATION, MAINTENANCE AND SERVICE SECTION



MODEL:

DT2-40BH1-S



Additional info and videos are available on our website: brinly.com

This QR code links directly to the product page.

Call Customer Service, Toll-Free: 877-728-8224



INSTALLATION QUESTIONS? MISSING PARTS? NEED REPLACEMENT PARTS?

DON'T GO BACK TO THE STORE!

Please call Customer Service Department Toll Free 877-728-8224 **OR** Email: customerservice@brinly.com

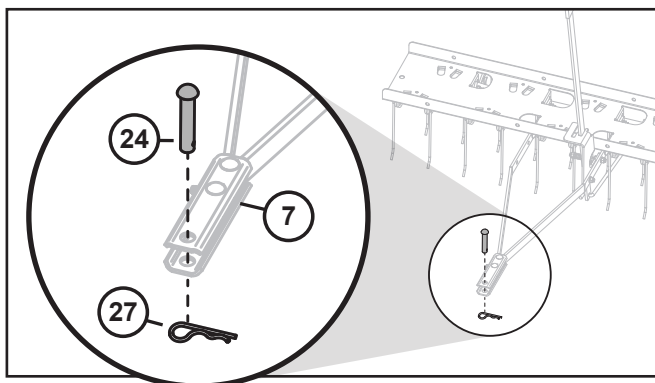
OPERATION

INSTALLING DETHATCHER



CAUTION: AVOID INJURY! Make sure feet and hands are clear of Tine Tips.

1. Park towing vehicle safely and set parking brake. (See *towing vehicle manual*).
2. Align Dethatcher clevis (7) with towing machine hitch plate.
3. Install Hitch Pin (24) through Clevis and towing machine hitch plate. Secure Hitch Pin with Hairpin Cotter (27).



REMOVING DETHATCHER



CAUTION: AVOID INJURY!

Keep body parts away from under drawbar. Do not attempt to disconnect Dethatcher from towing vehicle with weight on the tray.



CAUTION: AVOID INJURY!

Dethatcher can become unstable as Tow Bar angle is increased from ground. While moving your Dethatcher, keep Towbar Level with ground and hold Handle firmly against the Lift Lock.

1. Park towing vehicle safely and set the parking brake (see *towing vehicle operator's manual*).
2. Place Dethatcher in Transport Setting.
3. Unload weight from Dethatcher tray.
4. Remove Hairpin Cotter (27) and Hitch Pin (24) from the Clevis (7).
5. While keeping Tow Bar level with the ground and holding the Handle in Transport Setting, push Dethatcher away from the towing vehicle.
6. Install Hitch Pin (24) and Hairpin Cotter (27) for storage.

USAGE



CAUTION: AVOID INJURY! Avoid damage to tines. Use Transport Setting when towing the Dethatcher across concrete or asphalt driveways and walkways.

Safety Glasses should be worn when using the Dethatcher.

Excessive towed load can cause loss of control on slopes. Stopping distance increases with speed and weight of towed load.

Total towed weight must not exceed combined weight of towing vehicle, ballast and operator.

DETHATCHER WEIGHT

The following maximum loaded weight capacity is the weight of the Dethatcher plus the maximum weight loaded into the Dethatcher Tray:

MODEL	WEIGHT
DT2-40BH1-S	35 lbs. (empty)
Maximum Tray Weight	70 lbs

Maximum Towed Weight	105 lbs

OPERATION



CAUTION: AVOID INJURY! When changing Dethatcher Tine height settings from the towing vehicle seat: Park safely and set the parking brake (see towing vehicle operator's manual), shift to neutral and disengage Blade.

ADJUSTMENT OF TINE HEIGHT

This Dethatcher operates with hitch heights between 7 and 14 inches:

Position 1

TRANSPORT SETTING

Raises the Tines so that the Dethatcher can be towed without the Tines touching the ground

Position 2

DETHATCH SETTING

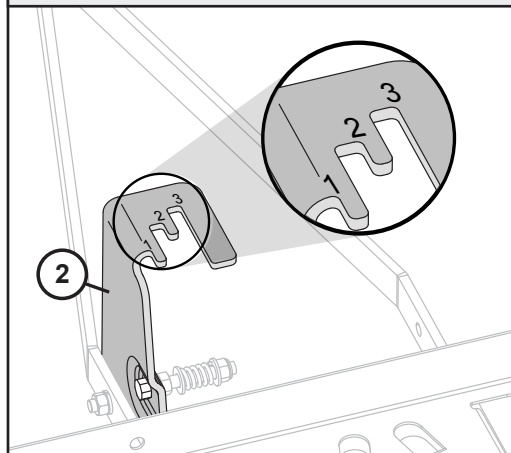
Used for general dethatching

Position 3

SCARIFY SETTING

Allows tines to drag along the ground to scarify a seed bed.

The tine height settings on the Lift Lock (2) are as illustrated here.



CAUTION: AVOID INJURY! Make sure feet and hands are clear of Tine Tips. Never operate Dethatcher without safety wires properly installed.

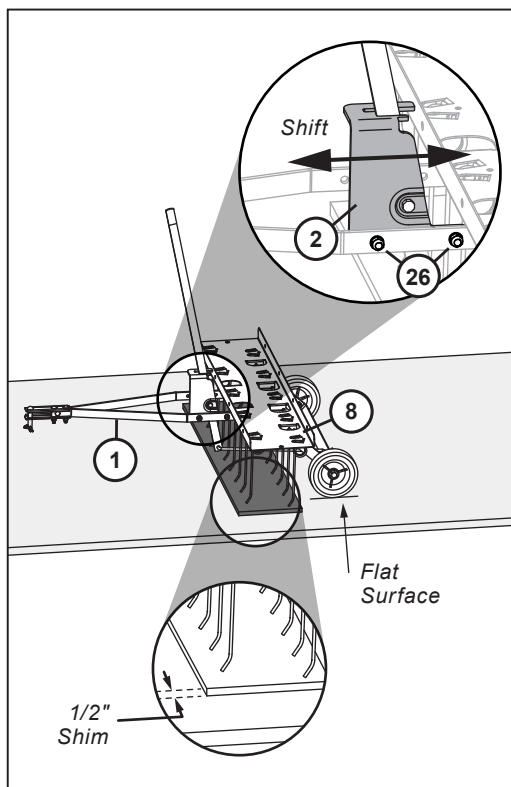
1. Select a smooth ground surface such as a driveway, sidewalk, garage floor, etc.
2. Park towing vehicle safely and set the parking brake (see towing vehicle operator's manual).
3. Install Dethatcher to towing vehicle hitch plate as previously described in the Installing Your Dethatcher section.
4. Put Handle in Dethatch Setting on Lift Lock (2) (center notch marked 2).
5. Place Tine tips on a 1/2" shim. When both rows of Tines are touching the shim, tighten the four bolts that fasten the Tow Bars (1) to the Tray (8).

NOTE: Your product packaging can be used as the 1/2" shim. Two thicknesses of cardboard equals approximately 1/2". Take care not to puncture the cardboard with the Tine tips while making your adjustments.

6. Shift the Lift Lock (2) along its slots to make sure the wheels rest firmly on the ground surface. Ensure that the tines remain on the 1/2" shim and that the Handle remains in the Dethatch Setting. Tighten the two nuts (26) that fasten the Lift Lock (2) to the Tow Bar (1).

7. Remove 1/2" shim and check Tine adjustment. Push Tines tips rearward. Tine tips should barely touch ground surface. If not, repeat the adjustment.

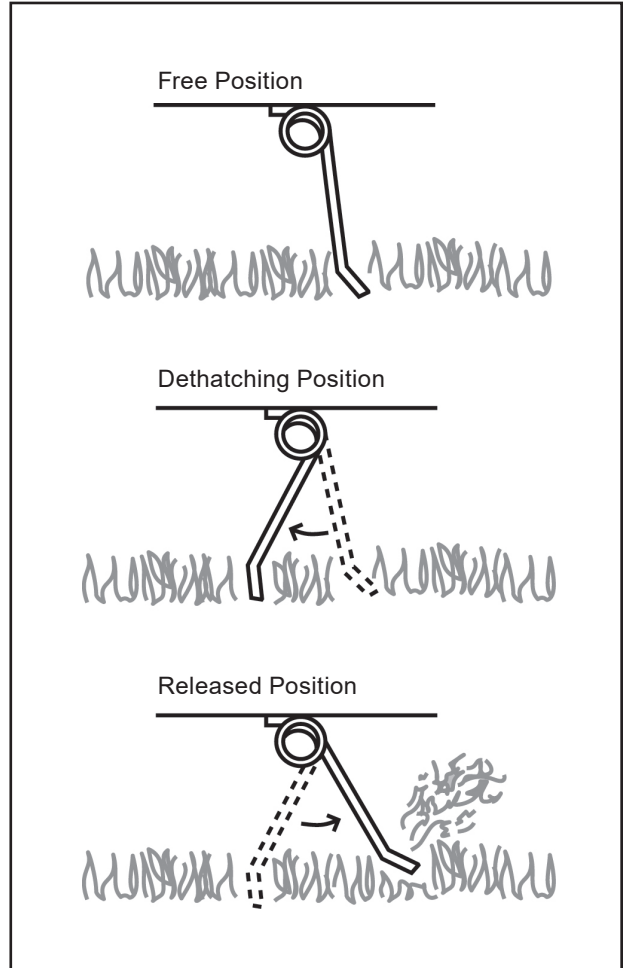
NOTE: If weight is used in Tray, recheck Tine height adjustment as stated in Step 8. Repeat Tine height adjustment as necessary with added weight.



OPERATION

GRASS HEIGHT AND TINE ACTION

- Grass should be less than 3" tall for proper Tine action in Dethatch Setting.
- When in use, Tines on the Dethatcher should deflect back and 'flip' the thatch forward as shown.
- If the Tines seem to drag without flipping forward, the Tray is too low and should be raised.
- If the Tines stay in the free position, the tray is too high and should be lowered.
- Make adjustments as necessary, up or down, by no more than $\frac{1}{4}$ " each time, until proper results are achieved. Similar adjustments may be possible by shifting the Lift Lock forward or rearward.
- In normal operating conditions, adding weight to the Tray for dethatching and scarifying operations should not be necessary.

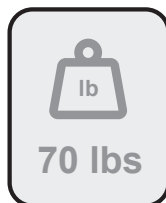


IF THE DETHATCHER APPEARS TO BE 'JUMPING' OR 'WALKING' DURING OPERATION:

1. Confirm the Handle is in the desired setting
2. Confirm Tine height is adjusted properly.
3. Add weight to the tray as needed (70 lbs maximum).
NOTE: Weight should be added to the tray only when Dethatcher is attached to the towing vehicle.
4. Weight should be secured by rope, straps, or other suitable means to contain the weight in the tray.
5. Confirm Tine height is adjusted properly after weight is added.

WEIGHT CAPACITY

MAXIMUM capacity of the dethatcher tray is 70 lbs (31.8kg).



OPERATING SPEED

The **BEST** operating speed is 3 mph or less.

Maximum operating speed is 5 mph.



OPERATION / MAINTENANCE

FREQUENCY OF USE

- You can dethatch your lawn in summer, fall and when the lawn is dormant in winter. Dethatching is not recommended during the start of active growth.
- An appropriate time to dethatch a cool-season lawn is early fall or early spring.
- An appropriate time to dethatch a warm-season lawn is early summer.
- A moderate to dry lawn condition is recommended when dethatching.
- It may take several passes to entirely dethatch your lawn. Make each pass in the same direction to avoid damage to grass roots.
- The process of dethatching can leave your lawn unsightly. Be patient. With proper fertilization and watering, your lawn will grow strong and full.
- The Dethatcher may be used in an independent operation or may be used when mowing your lawn.

STORAGE



CAUTION: AVOID INJURY!
THE DETHATCHER TINES ARE SHARP.
Care should be taken when choosing a storage location for this product.

- Store Dethatcher in low traffic aisle ways.
- Store Dethatcher with Tine points facing the wall or ground.
- Store Dethatcher on the ground or low to the ground.
- Do not store Dethatcher hanging from the wall, ceiling or with Tine points facing outward.
- Drawbar is a trip hazard. Avoid leaving Drawbar in aisle ways and walking paths.

MAINTENANCE

The key to years of trouble-free service is to keep your Dethatcher clean and dry.

- After the first 30 minutes of use, check all fasteners for tightness.
- Thereafter, periodically check all fasteners for tightness.



CAUTION: AVOID INJURY! Do not operate Dethatcher without Safety Wires installed. Failure to keep Safety Wires installed can result in personal injury if a Tine should disengage from the Dethatcher Tray.

Tines are manufactured and tested for high quality and durability. However, should a Tine need replacement, contact the Brinly-Hardy customer service department to purchase replacement Tines and Safety Wires.

TINES CAN BE SERVICED AS FOLLOWS:

1. Straighten bend at the end of the Safety Wire and remove from Tine row.
2. Using a screwdriver or similar tool, pry the tabs open that are holding the Tine in need of service. Tabs can also be opened by tapping them down from the top of the Dethatcher Tray.
3. Remove Tine and replace with new Tine.
4. While holding the new Tine in position, bend the tabs back into the closed position.
5. Reinstall the Safety Wire.

- Ensure to thread the Safety Wire through each Tine loop and holes in Tray tabs.
- Re-Bend end of the Safety Wire to hold Tine row. Ensure both bent ends of the Safety Wire are bent around the outer most Tine loop.
- Apply a light coat of oil on tines after use to prevent rust.
- For rust appearing on painted surfaces, sand lightly and paint affected area with enamel.
- Periodically remove debris that builds up between Tines.
- Check all moving parts for free movement and if necessary lubricate with oil.

ASSISTANCE

SERVICE

QUALITY CONTINUES WITH QUALITY SERVICE

If you have installation questions, are missing parts or need replacement parts, don't go back to the store!

Please find your product serial number and model number, then contact our Customer Service department:



In North America and Canada call Toll-Free: **877-728-8224**



Chat online: **www.brinly.com**



Email: **customerservice@brinly.com**



NOTES

ONLINE

BRINLY.COM

Additional info and videos are available on our website. Please visit the URL above OR scan this QR code.

