

HARDWARE IDENTIFIER

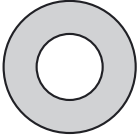
Illustrations on this page are to scale for faster identification of hardware during assembly.

DO NOT RETURN PRODUCT IF YOU ARE MISSING PARTS.

Please Call: 1 (877) 728-8224

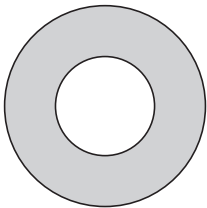
20

Washer: Flat
5/16" (x6)
45M1111P



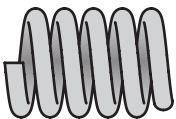
21

Washer: Flat
1/2" (x4)
1019756



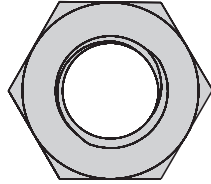
23

Spring (x1)
B-3805



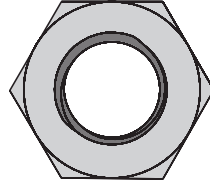
18

Nut: Hex
1/2" (x2)
30M1600P



19

Nut: Nylock
1/2" (x2)
B-5096Y



25

Nut: Nylock
1/4" (x1)
B-4785



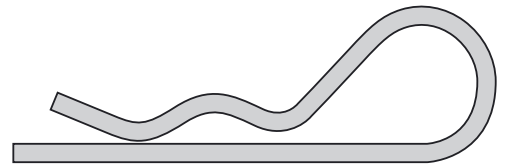
26

Nut: Nylock
5/16" (x12)
B-4786



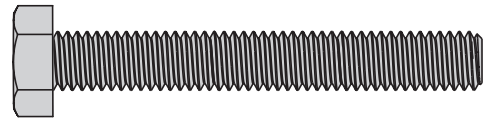
27

Hairpin Cotter (x1)
1019151



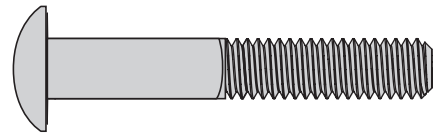
12

Bolt: Hex Head, 5/16 x 2 1/4" (x1)
2M1036P-FT



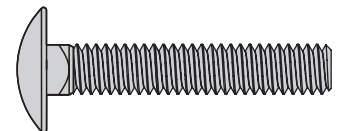
13

Bolt: Carriage, 5/16 x 2" (x2)
10M1032P



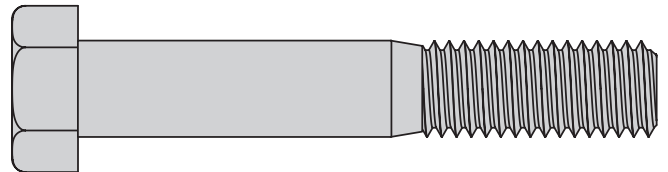
14

Bolt; Carriage, 1/4 x 1-1/2" (x1)
11M0824P



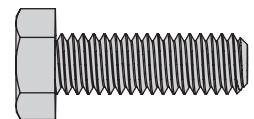
15

Bolt; Hex Head,
1/2" x 3" (x2)
1M1648P



16

Bolt; Hex Head, 5/16 x 1" (x8)
2M1016P

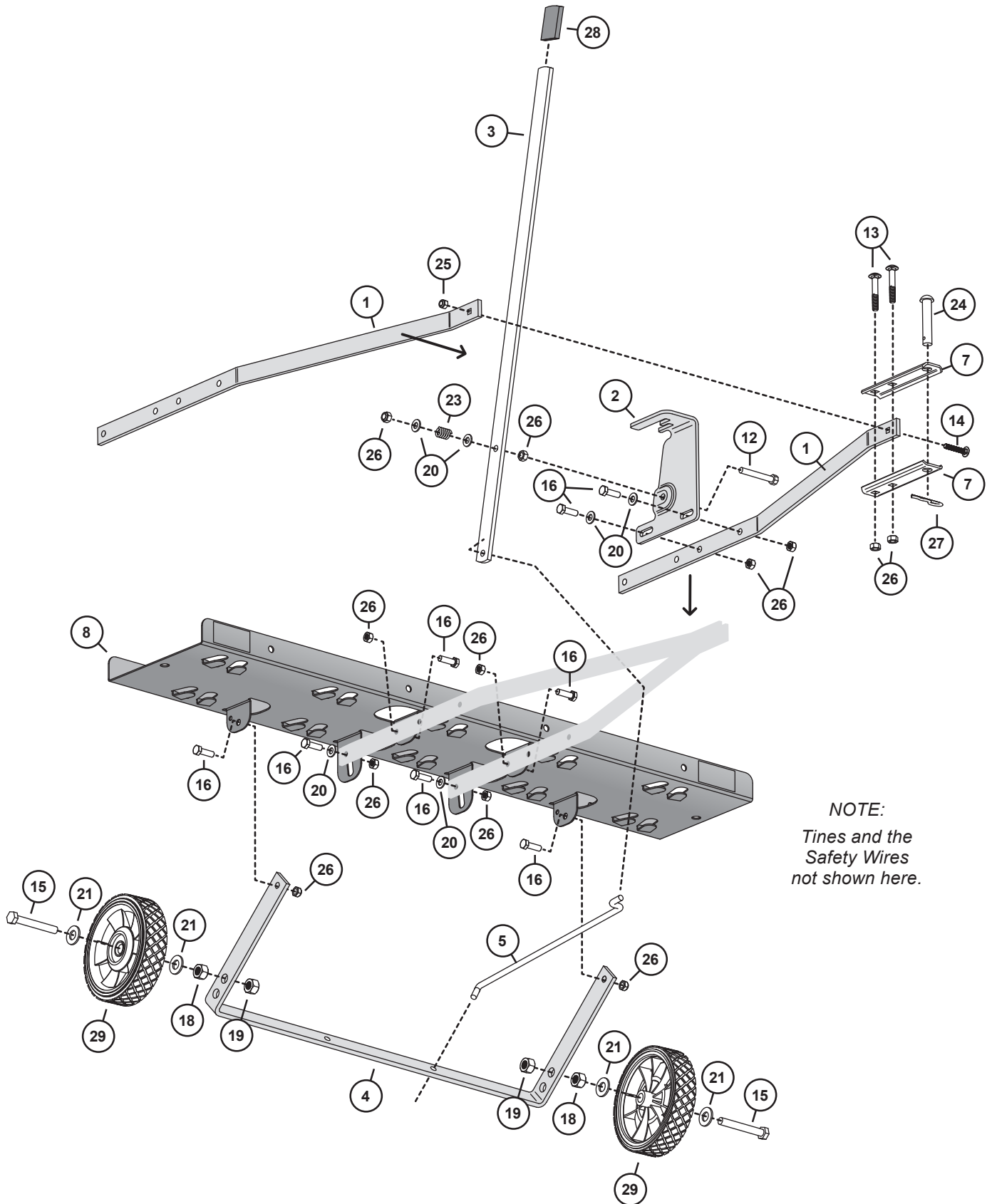


24

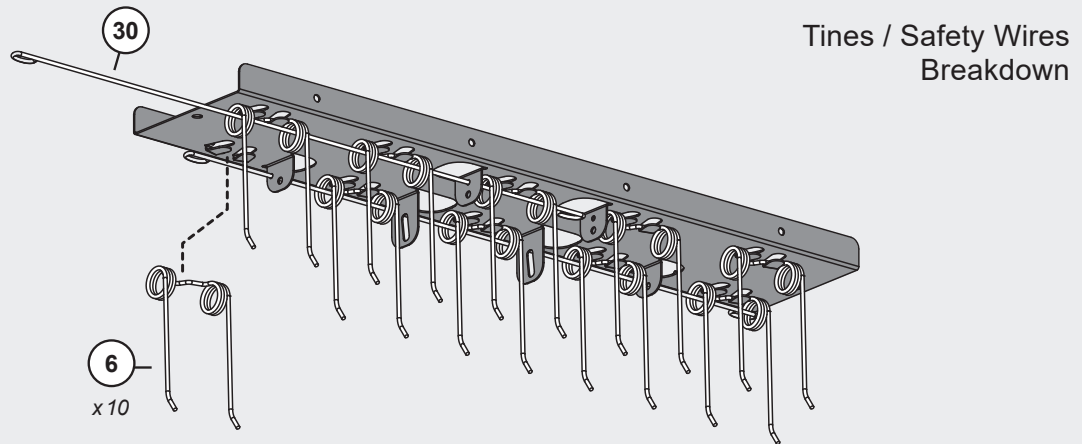
Drawbar Pin: 1/2" x 2 1/2" (x1)
B-3861



COMPONENT VIEW AND REFERENCE LIST



COMPONENT VIEW AND REFERENCE LIST



DT2-40BH1-S

HARDWARE PACK - Used during assembly:

Ref #	Part #	Description	Qty
1	1019212-06	Towbar	2
2	1019213-06	Lift Lock	1
3	1019209-06	Handle	1
4	1019214-06	Wheel Bracket	1
5	1008557	Control Rod	1
6	R-616	Tine	10
7	R-892-06	Clevis	2
8	1019417	Tray; with Labels	1
29	1008587	Wheel, 6" x 1.5"	2
30	R-1503	Safety Wire, 40"	2

1019104	SKIN PACK		1
12	2M1036P-FT	Bolt; Hex Hd., 5/16" x 2-1/4"	1
13	10M1032P	Bolt; Carriage, 5/16" x 2"	2
14	11M0824P	Bolt; Carriage, 1/4" x 1-1/2"	1
15	1M1648P	Bolt; Hex Hd., 1/2" x 3"	2
16	2M1016P	Bolt; Hex Hd., 5/16" x 1"	8
18	30M1600P	Nut, 1/2"	2
19	B-5096Y	Nut; Nylock, 1/2"	2
20	45M1111P	Washer; Flat, 5/16"	6
21	1019756	Washer; Flat, 1/2"	4
23	B-3805	Spring	1
24	B-3861	Hitch Pin, 1/2" x 2-1/2"	1
25	B-4785	Nut; Nylock, 1/4"	1
26	B-4786	Nut; Nylock, 5/16"	12
27	1019151	Hairpin; Cotter, 1/8"	1
28	1019103	Vinyl Grip	1



INSTALLATION QUESTIONS? MISSING PARTS? NEED REPLACEMENT PARTS?

DON'T GO BACK TO THE STORE!

Please call Customer Service Department Toll Free 877-728-8224 **OR** Email: customerservice@brinly.com