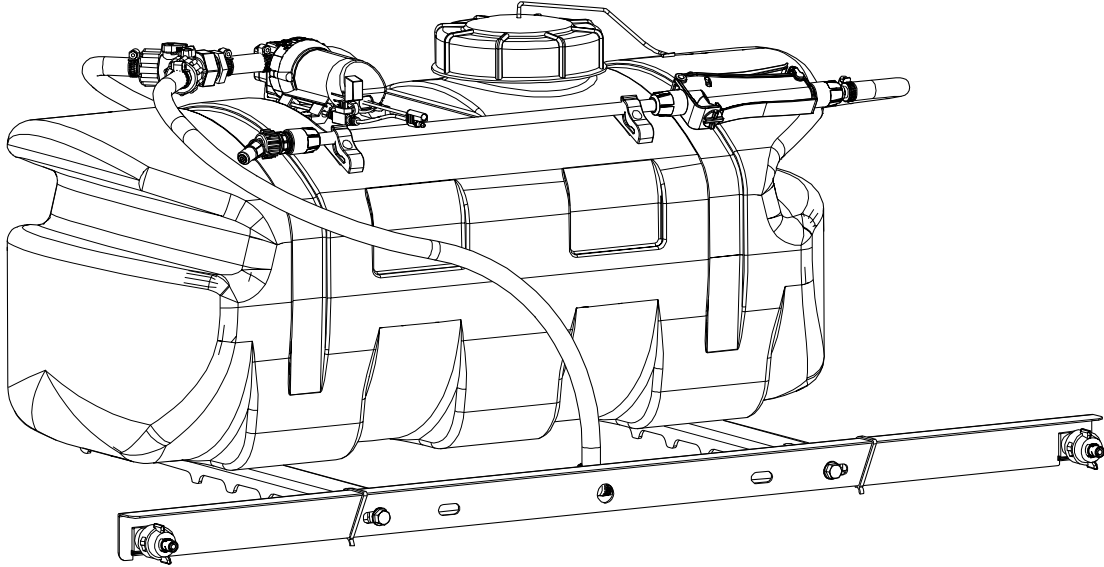


OWNER'S MANUAL

Model: CL-ATV-15-2N (5303011)
(15 Gallon ATV Sprayer)



General Information

Thank you for purchasing this product. The purpose of this manual is to assist you in operating and maintaining your lawn & garden ATV sprayer.

**BEFORE RETURNING THIS PRODUCT
FOR ANY REASON, PLEASE CALL**

1-800-831-0027

MONDAY-FRIDAY, 8:00 AM TO 5:00 PM CST

If you should have a question or experience a problem with your Fimco Industries Product: Visit our website @ www.fimcoindustries.com or call the Toll free number above. Our technical support representatives will be happy to help you.

In most cases a customer service rep. can resolve the problem over the phone.

To obtain prompt, efficient service, always remember to give the following information....

- Correct Part Description and/or part number
- Model number and Serial Number

Part descriptions and numbers can be obtained from the illustrated parts list section(s) of this manual.

Retain a copy of your receipt for your unit, as it will be required to validate any warranty service.

Warranted against manufacturer or workmanship defects from date of purchase with copy of receipt:



Homeowner Usage: Sprayer-One Year and Pump-Two Years.

Commercial Usage: Sprayer and Pump-90 Days.

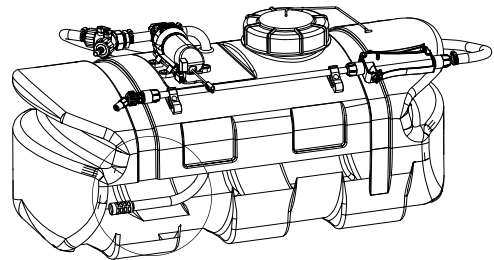


WARNING: Cancer and Reproductive Harm.
www.P65Warnings.ca.gov



WARNING: To reduce the risk of injury, the user must read and understand the operator's manual before using this product.

IMPORTANT REMINDER



You must occasionally check and clean the strainer screen, located on the inside of the tank, especially if you experience a sudden loss of pressure.



www.fimcoindustries.com

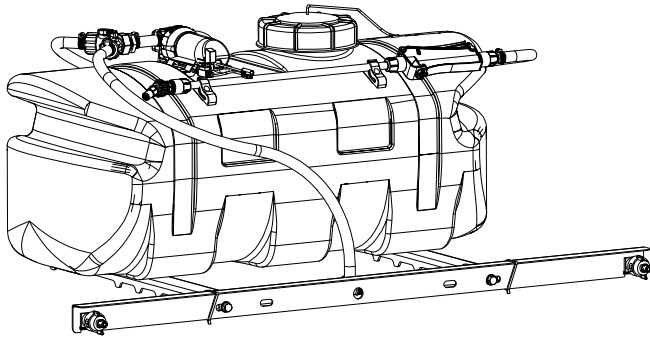
1000 FIMCO Lane, P.O. Box 1700, North Sioux City, SD 57049
Toll Free Phone: 800-831-0027 : Toll Free Fax: 800-494-0440

[5195974

(10/23)]

Contents

Technical Specs	2	Pump Exploded View and Parts List.....	8
Sprayer Contents	3	Troubleshooting	7 - 9
Sprayer Assembly Instructions	3 - 4	Sprayer Exploded View and Parts List	10
Operation	5	Boom Exploded View and Parts List.....	11
Calibration, Maintenance and Tank Care	6	Sprayer Dimensions	11
Winter Storage	7	Warranty	12



Model: CL-ATV-15-2N (5303011) (15 Gallon ATV Sprayer)

Technical Specifications

- 15 Gal. Corrosion-Resistant Polyethylene Tank
- 12 Volt Diaphragm Pump, 1.2 GPM - 60 PSI
- 15 Ft. Handgun Hose (3/8" I.D.)
- 12 Ft. Vertical throw, 20 Ft. Horizontal Throw
- 2-Nozzle Boom Assembly (80" Spray Coverage)
- Corrosion-Resistant Nylon Nozzles
- Check Valve Strainers, 50 Mesh, 5 PSI

This sprayer may be mounted to most makes of agricultural ATV vehicles.

**CAUTION: When fully filled with water, this sprayer will weigh approx. 160 Lbs.
Always check the vehicle load rating before using this sprayer. Do not exceed the recommended rating.**

~~~~~IMPORTANT~~~~~

Remove tank lid and be sure the tank is clean and free of any foreign material. Rinse tank out of any tank residue before filling with water to test.

~~~~~IMPORTANT~~~~~

It is VERY important to test this sprayer with plain water before actual spraying is attempted. This will enable you to check the sprayer for leaks without the possibility of losing any expensive chemicals.

~~~~~WARNING~~~~~



Read and Understand the Owner's Manual before using this sprayer. Test and use in accordance to instructions.
Read and Follow chemical label instructions and wear protective gear when filling, using, cleaning and servicing the sprayer.

Exercise Caution in vehicle handling when towing/hauling a filled sprayer to avoid loss of control or overturning.

Keep Sprayer and Spray materials away from other people, children and pets.

Do Not Turn on Power to the sprayer, until ready to spray in order to avoid unintentional spray release.

Do Not Use on steep slopes. A full sprayer could cause loss of control or overturn sprayer and vehicle.

Always operate up and down a slope, never across the face of a slope.

Keep all movement on slopes slow and gradual. Do not make sudden changes in speed, directions or turning. Do not start or stop suddenly when going uphill or downhill.

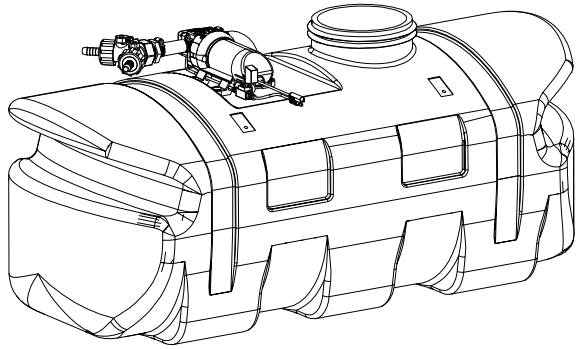
Stop on level ground, set the parking brake and shut off engine before leaving the operator's position for any reason.

Keep all parts in good condition and properly installed. Fix damaged or worn parts immediately.

Caution should be taken when towing and/or using any sprayer. This sprayer combined with the weight distribution, turning radius and speed of vehicle can result in damage to vehicle and/or sprayer or severe injury or death, if not used properly.

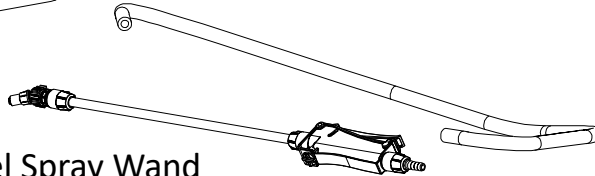
Improper use of this sprayer or handling of chemicals could result in serious injury or illness, or could cause damage to the environment.

Sprayer Contents:



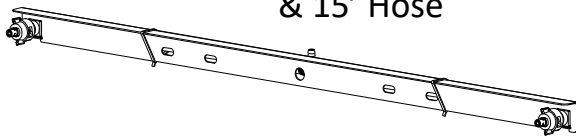
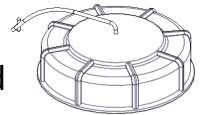
Tank
Pre-Assembly

Owner's
Manual



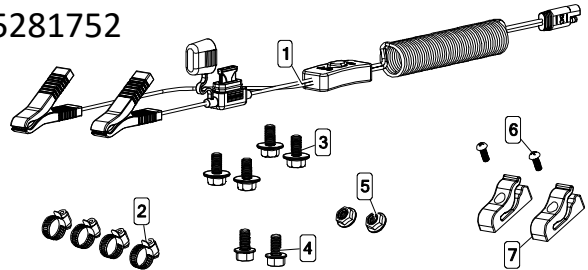
Entry Level Spray Wand
& 15' Hose

Tank Lid
& Lanyard



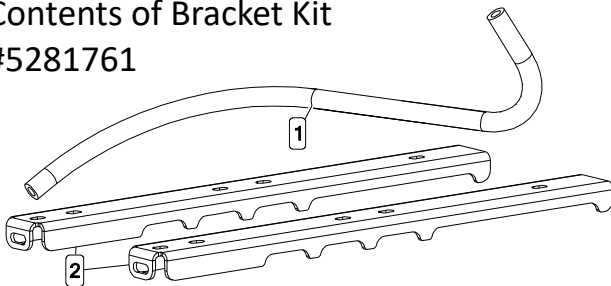
2-Nozzle Rigid Boom

Contents of Parts Bag #5281752



Ref. #	Part #	Description	Qty
1	5278017	Lead Wire w/5A Fuse (96" Long)	1
1.1	5157237	5 Amp Regular Blade Fuse	1
2	5051144	Hose Clamp (3/8")	4
3	5034531	5/16-18 x 5/8 Fling Hex Bolt (Locking Patch)	4
4	5034634	5/16-18 x 5/8 Fling Hex Bolt	2
5	5006307	5/16-18 Serrated Fling Hex Nut	2
6	5117334	#10-24 x 1/2 PH Round Head Screw	2
7	5053096	Spray Wand Clip	2

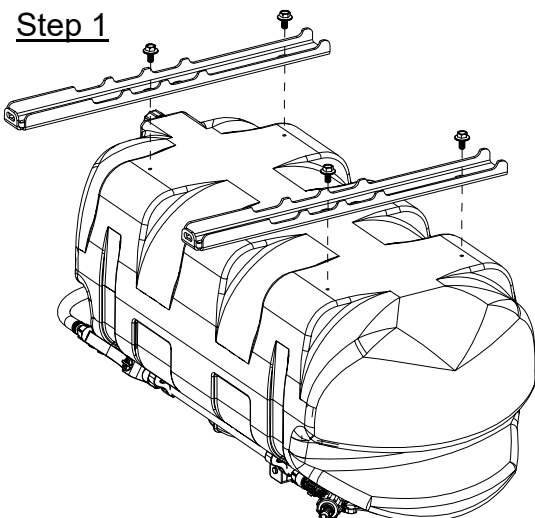
Contents of Bracket Kit #5281761



Ref. #	Part #	Description	Qty
1	5020531	Hose, 3/8"-1 Brd. x 19-3/8"	1
2	5038953	Fixed ATV Boom Bracket	2

Assembly Procedure

Step 1



- Make sure the contents of the sprayer's carton match the items shown on page 3 of the manual.
- Follow the steps on pages 3 & 4 to properly assemble the sprayer.

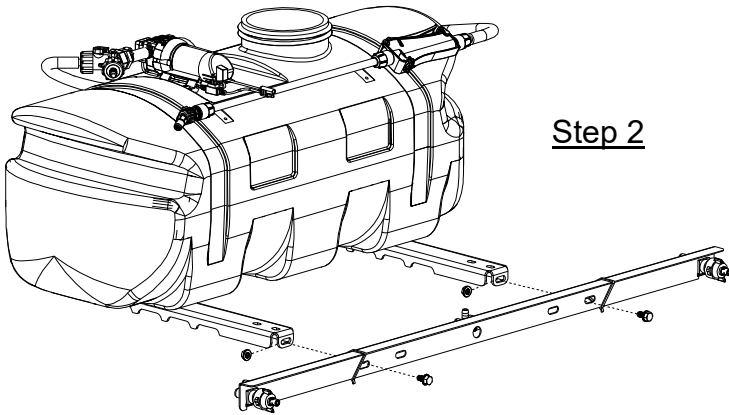
Right Hand (RH) and Left Hand (LH) sides of the sprayer are determined as if you are standing behind the sprayer, looking at it (facing forward)

After removing the tank from the box, start the assembly procedure by turning the tank upside on a stable, flat surface.

A 1/2" socket wrench is required for this step.

(**) Mount the tank brackets to the underside of the tank as shown in Step 1. Use (4) hex bolts to secure it to the tank. The tank will rest on the surface of the brackets. Make sure the brackets are parallel with each other before tightening down the bolts. Do not over-tighten.

Assembly Procedure



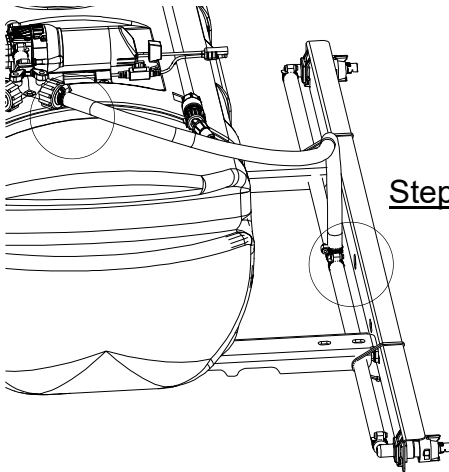
Step 2

After your boom brackets are secured to the tank, turn the tank assembly over and position it so that the ends of the brackets extend beyond the back of the tank and hanging over the edge of the table or flat surface you are assembling this on.

1/2" socket wrench & wrench is required for this step.

Attach the boom assembly to the boom brackets, making sure the boom is centered. Secure in place with (2) flanged hex bolts and (2) flanged hex nuts.

After your boom is attached to the boom brackets, locate the feeder hose and the (2) hose clamps from the parts bag.



Step 3

Place the hose clamps loosely over each end of the feeder hose. Slip the ends of the hose over the hose bars on both the y-valve manifold and the barb fitting on the nozzle harness of the boom. Use a twisting motion, if necessary, to get the hose fully onto each barb. Bring the hose clamps to the connection point and tighten securely.

NOTE:

Make sure the boom feeder hose does not end up on the 'outside' of the spray wand hose, otherwise unwrapping the spray wand hose from around the tank may be difficult.

You are now ready to mount this unit to an ATV, using ratchet straps. (NOT INCLUDED).

Screw the lid onto the tank.

Locate the (2) clips and (2) phillips head machine screws from the parts bag.

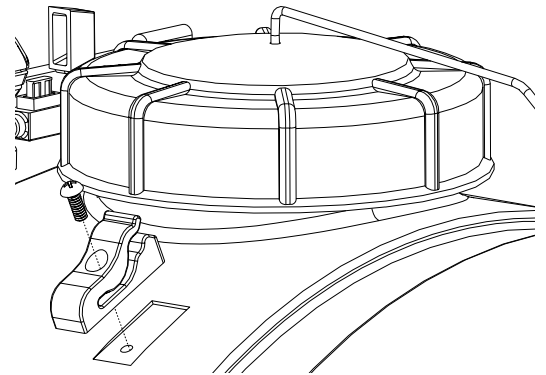
A phillips head screwdriver is required for this step

Place a screw through the hole in the clip and bring it up to the tank, where the embossments for the clips are (located on the rear side of the tank).

Secure the clip/screw to the tank. Tighten so that the clip is secure. Do this for each clip. **** DO NOT OVER-TIGHTEN ****

The spray wand will snap into the clips once installed. Do not use excessive force when placing the spray wand into the clips, as this could cause the clips to break.

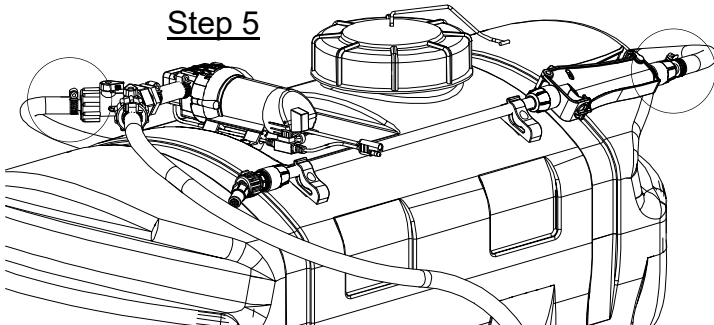
Step 4



Place a hose clamp loosely over each end of handgun hose. Slip the ends of the hose over the hose barb on the y-valve manifold and the back of the spray wand. Use a twisting motion, if necessary, to get the hose fully onto each. Bring the hose clamps to connection point and tighten securely.

- Make sure all hose clamps are tight before testing or spraying for the first time.
- The drain plug assembly should already be attached to the tank
- One requirement will be for you to hook up your battery leads to a fully charged 12 Volt battery.

Step 5



****The Sprayer is now ready to TEST w/plain water before actual use****

IMPORTANT: Remove tank lid and be sure the tank is clean and free of any foreign material. Rinse tank out of any tank residue before filling with water to test. Make sure all hose clamps are tight.

Testing the Sprayer

NOTE:

It is VERY important to test this sprayer with plain water before actual spraying is attempted. This will enable you to check the sprayer for leaks without the possibility of losing any expensive chemicals.

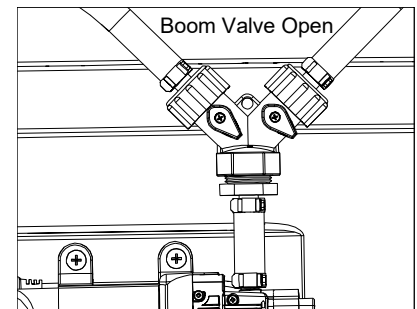
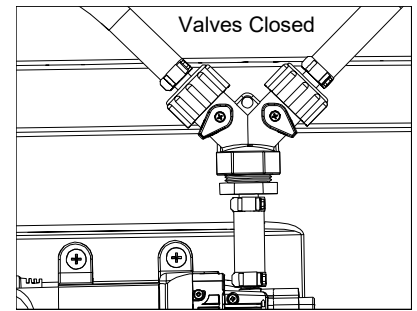
Fill the tank about 1/2 full with plain water and drive to the starting place for spraying.

When you are ready to spray, open the boom valve to the "on" position (see boom valve open). This will start solution spraying from the tips of the boom. The pressure will decrease slightly when the boom is spraying.

Read the operating instructions and initially begin spraying by opening the boom line valve. This will enable the air in the line to be eliminated (purged) through all the tips, while building pressure. When everything tests all right, add the desired chemicals to the mixture and water combination and start your spraying operation.

Conditions of weather and terrain must be considered when setting the sprayer. Do not spray on windy days. Protective clothing must be worn in some cases.

Be sure to read the chemical label(s) before application!



Operation

The pumping system draws solution from the tank, through the strainer and to the pump. The pump forces the solution under pressure to the handgun or boom nozzles.

Fill the tank part way with water and then add the desired amount of chemical to be sprayed. Finish filling tank to proper level.

Only fill the tank with what you're going to spray in a day, never leave chemicals sit in tank.

Connect the lead wire to a fully charged 12 volt battery. You may use either a stand-alone battery or the battery on your towing vehicle. Connect to the positive (red) terminal first, then connect to the negative (black) terminal. Then connect the end of the lead wire to the end of the pump. When disconnecting, disconnect the end of the pump wire from the lead wire, then disconnect the negative (black) connection and finally the positive (red) connection. The lead wire has an On/Off switch to activate the pump. "-" is on and "O" is off. Turn the pump on by depressing the "-" side of the rocker switch. The pump is equipped with a pressure switch that is pre-set at the factory to shut the pump off when all discharges are closed.

The pump will turn back on when one of the following actions occurs:

- ◆ Handgun lever is squeezed to spray the handgun.
- ◆ Boom valve is opened to broadcast spray with the boom.

For the safest and most efficient chemical application, you will need to calibrate your sprayer using the tip and speed charts. Once you have determined the proper speed and pressure settings (this sprayer will spray at the 30 PSI range from the chart on the next page), you will need to consult your chemical label for the amount of chemical to be added to the tank. Read the entire label. Use only according to label directions.

Using the Boom Nozzles

Four things must be considered before spraying with the boom.

1. How much chemical must be mixed in the tank.
 2. Rate of spray (gallons per acre to be sprayed).
 3. What pressure (p.s.i.) will be used.
 4. Speed traveled (mph) while spraying.
- * Refer to the chemical label to determine your chemical mixture
 - * See the tip chart to determine the pressure to be used. The chart will also show the speed used when spraying.
 - * Start the pump and open the valve to the boom nozzles.
 - * Check the spray pattern. Usually you can see the coverage better on a solid concrete surface, such as a driveway.

Calibration

Chemical labels may show application rates in gallons per acre, gallons per 1000 square feet or gallons per 100 square feet. You will note that the tip chart shows 3 of these rating systems. Once you know how much you are going to spray, then determine (from the tip chart) the spraying pressure (30 PSI), and the spraying speed (MPH). This sprayer will spray at the 30 PSI range.

Determining the proper speed of the pulling vehicle can be done by marking off 100, 200 & 300 feet. The speed chart indicates the number of seconds it takes to travel the distances. Set the throttle and with a running start, travel the distances. Adjust the throttle until you travel the distances in the number of seconds indicated by the speed chart. Once you have reached the throttle setting needed, mark the throttle location so you can stop and go again, returning to the same speed.

Add water and proper amount of chemical to the tank and drive to the starting place for spraying.

Tip Chart for TKT-VP3, TF-VP3 & 30DT3.0 Tips									
Tip No. (Color)	Pressure (psi)	Capacity (GPM)							
3 (Gray)	30	.52	Gallons Per Acre - Based on Water						
			1 MPH	2 MPH	3 MPH	4 MPH	5 MPH	7.5 MPH	10 MPH
			76	38	26	19.3	15.4	10.3	7.7
			Gallons Per 1000 Sq. Ft. - Based on Water						
			1 MPH	2 MPH	3 MPH	4 MPH	5 MPH	7.5 MPH	10 MPH
			1.74	.87	.596	.44	.35	.236	.176
			Gallons Per 100 Sq. Ft. - Based on Water						
			1 MPH	2 MPH	3 MPH	4 MPH	5 MPH	7.5 MPH	10 MPH
			.174	.087	.059	.044	.035	.023	.017

Speed Chart			
Speed in M.P.H. (Miles Per Hour)	Time Required in seconds to travel a distance of		
	100 Ft.	200 Ft.	300 Ft.
1.0	68 sec.	136	205
2.0	34	68	102
3.0	23	45	68
4.0	17	34	51
5.0	14	27	41
6.0	11	23	34
7.0	9.7	19	29
8.0	8.5	17	26
9.0	7.6	15	23
10.0	6.8	14	20

Tank Care & Maintenance

Warning: Do not use the tank as a container for fuel oils, kerosene, gasoline or any other petroleum distillate product. All poly olefins are softened and permeated by such products. In an enclosed area the vaporization of these materials from the outside surface of the tank could create a dangerous condition.

The tank should not be used as a pressure vessel nor used with chemicals or solutions having a weight of more than 12 pounds per gallon.

Store the tank in a dry dark place when not in use. Storage out of sunlight will prolong the life of the tank.

Do not drop, strike or kick the tank, especially at low temperatures. Tanks become brittle and are subject to cracking at temperatures below 20° Fahrenheit.

Always flush the tank with water and a neutralizing agent at the end of each use, to prevent contamination of solutions.

Maintenance During/After Spraying

Periodically check the strainer and clean the screen on your intake line.

If sprayer becomes clogged during use, discontinue use immediately. DO NOT attempt to service while chemicals are in the sprayer and power is connected.

Proper care and maintenance will prolong the life of your sprayer.

After use, drain the tank and store or dispose of chemical properly. Fill the sprayer half way with clean water. Start the pump and allow the water to pump through the entire plumbing system and nozzles. Drain and then refill half full, add the recommended amount of a good quality tank cleaner, such as FIMCO Tank Neutralizer and Cleaner. (If no tank cleaner is available, you may substitute dish soap for this step, about 1-2 oz. per gallon). But a neutralizer/cleaner should be used to thoroughly clean the system. Turn pump on and circulate through system for 15 minutes and then spray out through boom and handgun nozzles. Refill sprayer half way with clean water and repeat. Follow the chemical manufacturer's disposal instructions of all wash or rinsing water.

If boom or handgun nozzles need cleaning, remove them from the sprayer and soak in warm soapy water. Clean with a soft bristled brush or toothpick if necessary. Never use a metal object. Even the slightest damage can change the flow rate and spray distribution. Water rinse and dry the tips before storing.

WARNING: Some chemicals will damage the pump valves if allowed to soak untreated for a length of time! ALWAYS flush the pump as instructed after each use. DO NOT allow chemicals to sit in the pump for extended times of idleness. Follow the chemical manufacturer's instructions on disposal of all waste water from the sprayer.

Winter Storage

Prepare the sprayer for end-of-season storage by running RV antifreeze through the system. This will keep internal parts lubricated, protect against corrosion and keep the unit from freezing. *Note: RV antifreeze is non-toxic and biodegradable and generally safer for the environment than automotive antifreeze.*

Before storing your sprayer for winter or long term storage, thoroughly clean and drain it as much as possible. Then pour enough pink RV antifreeze into the tank so that when the pump is turned on you can pump the antifreeze throughout the entire plumbing system. Make sure to operate the boom and handgun until you see pink fluid spraying from the nozzles. Leave any remaining antifreeze in the tank. Before your next usage, rinse the antifreeze from the sprayer with clean water.

It is nearly impossible to drain all water from the sprayer and any trapped water can freeze in cold weather and damage parts of the sprayer. Pumping the antifreeze through the system will displace the water and help prevent this damage.

Removing from storage: drain the antifreeze. Fill the tank with fresh water and run through the system. Dispose of antifreeze and flush water properly.

Sprayer and Pump FAQs:

◆ Why does the pump not run all the time?

This is an on-demand pump and only runs when a discharge is open (spray gun, bypass, boom (if applicable) or a leak is in the system.

◆ Why does the pump surge while using the spray gun?

Low flow/high pressure may cause the pump to surge (or cycle). Typically the spray wand is adjusted at too fine of a mist, to overcome, adjust the nozzle for a higher flow.

◆ How do I adjust the pressure?

Pressure can only be adjusted by opening the pressure adjust (bypass) valve to allow some of your water or solution to return to the tank (if equipped).

◆ Pump quit and will not run, what do I need to do?

Squeeze trigger on spray gun to ensure that the system isn't just pressurized up with discharges closed. Check electrical connections, ensure switch is on. Check fuses. Check for proper voltage. Check pressure switch.

◆ Low flow or no flow at all, what do I need to check for?

Check for a clogged or kinked intake hose and/or clogged intake strainer. Check for proper voltage. You will need to occasionally check your intake strainer to ensure that it is clean of any debris.

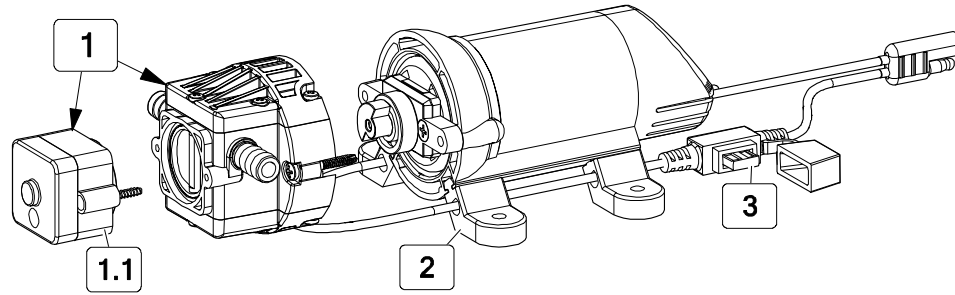
◆ What is causing the fuse to blow each time I turn the pump on?

Check for excessive voltage. Improper adjustment of the pressure switch. Damaged or defective wire harness or defective pressure switch. Half-Moon counterweight and bearing are seized up.

Warning:

Ensure the wiring harness does not become pinched or damaged in any way. This may damage the pump or cause the wiring harness to overheat, resulting in a melt down or fire.

HIGH FLO
HIGH PERFORMANCE



Pump Model: 5281370

Available

Replacement Parts

Replacement Pump: 5151086

Ref. #	Part #	Description	Qty
1	5164272	1.2 GPM Pump Head	1
1.1	5164271	60 PSI Pressure Switch Assembly	1
2	5095202	Pump Mount Feet (4 Pack)	1
3	5157204	5 Amp 'Mini Blade' Fuse	1



- Clean and rinse your pump after each use with Fimco Tank Neutralizer.
- Winterize your pump or sprayer by rinsing, draining and running RV Antifreeze through it before storing for the winter.
- Use clean water for your spray mixture.
- Store inside a building when not in use.



- Use to pump bleach.
- Use to pump petroleum products such as diesel fuel, gasoline or kerosene.
- Use to pump chemicals w/petroleum distillates or surfactants.
- Leave your pump sit with spray mixture in it for extended periods.
- Use dirty or unfiltered water for spraying.

STOP WARNING STOP

DO NOT USE PUMP IN AN EXPLOSIVE ENVIRONMENT.
DO NOT USE TO PUMP FLAMMABLE/COMBUSTIBLE
FLUIDS, GASOLINE, KEROSENE, FUEL, OIL, ETC.

CAUTION

PRESSURE SWITCH OPERATION
Pressure switch is pre-set at the factory. Improper adjustment of the pressure, may cause severe overload or premature failure. If pump is subjected to rapid cycling during normal operations or infrequent periods, damage may occur.

Troubleshooting

Pump will not run:	Check for loose wiring	Pump surges:	Low flow may cause pump to surge
	Make sure the ON/OFF switch is on		Spray Wand is adjusted to small or fine of a spray pattern
	Check the fuse		Check for defective pressure switch
	Check for defective pressure switch		Check for leaks in the discharge line
	Check to see if connected to good 12 Volt Power Source		Check for debris in nozzle orifice
	Check for Low Voltage		Discharge hose may be too long
Pump Does Not Prime (No Discharge w/Motor Running)	Check for clogged strainer/filter	Pump continues to run:	Check for clogged strainer/filter
	Check for kinked inlet/outlet hoses		Pressure switch may need to be adjusted 1/4 turn at a time clockwise until surging stops
	Check for empty product supply		Check for empty product supply
	Check for cracks in the pump housing		Check for Low Voltage
	Check for air leaks in supply line		Check for leaks in the discharge line
Low Pressure/ Low Flow:	Check for a clogged strainer	Fuse blows:	Check for defective pressure switch
	Check for proper voltage Try another 12-Volt battery		System has leaks
	Check for leaks in the discharge line		Air trapped in outlet line or pump head
	Check for restrictions in the discharge line		Excessive voltage
	Check for debris in intake		Improper adjustment of pressure switch
Check for debris in nozzle orifice	Damaged or defective wiring harness		
			Defective pressure switch
			Half-moon & Counterweight are sticking

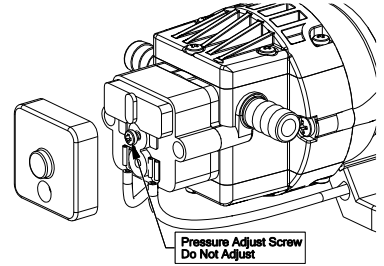
Before Troubleshooting or Attempting to Service the Pump:

- ◆ **Review Troubleshooting Chart:** Do Not attempt to repair until steps below are followed.
- ◆ **Personal Protective Gear:** Wear protective gear when servicing pump.
- ◆ **Disconnect Power:** Disconnect the power to the pump and relieve the pressure from the system.
- ◆ **Empty and Flush** the pump system with water, never attempt to service the pump until it has been emptied and flushed.
- ◆ **Perform Repairs:** Follow directions provided in the troubleshooting section to repair the pump.
- ◆ **Test:** Always test the pump for leaks with plain water after any repairs before using.

Motor not running: Checking the Pressure Switch.

If your motor is not running and you've checked the following: for loose wiring connections, fuse, the switch on the lead wire was "ON" and made sure you were connected to a fully charged battery and everything is fine, but the motor won't run, then it's time to check to see if the pressure switch is bad.

- Remove the cover off the 1" square box (pressure switch) on the head of the pump, the cover is held on by one phillips-head screw. This will expose the two red wires.
- With the pump connected to a good 12 volt power source and everything on.
- Slip the two red wires off the terminals and touch them together.



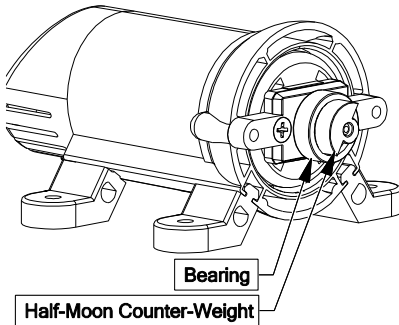
If the motor runs, it means the pressure switch is bad and needs to be replaced.

If it still doesn't run, try bypassing the switch in the lead wire or using another lead wire. Even if a tester shows power to the pressure switch, it still could be the switch in the wire that is causing the problem.

If still not responsive, use a voltmeter or electrical tester to make sure you are getting power to the head of the pump, as it could possibly be something in one of the wires or even the lead wire assembly may need to be replaced.

Warning: It is NOT recommended to run the pump this way, as the pump will continue to run and not shut off.

This could result in blown hoses when all discharges are closed. Also, this could result in premature failure of the pump completely.

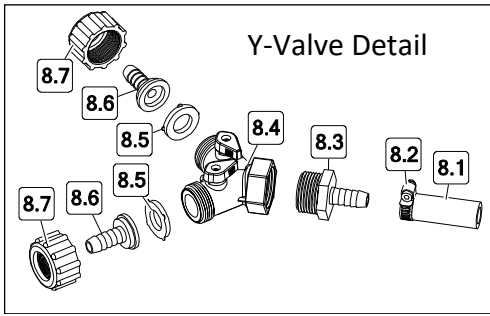


Motor Runs - Little to No Pressure:

If your strainer is clean....

CHECK:

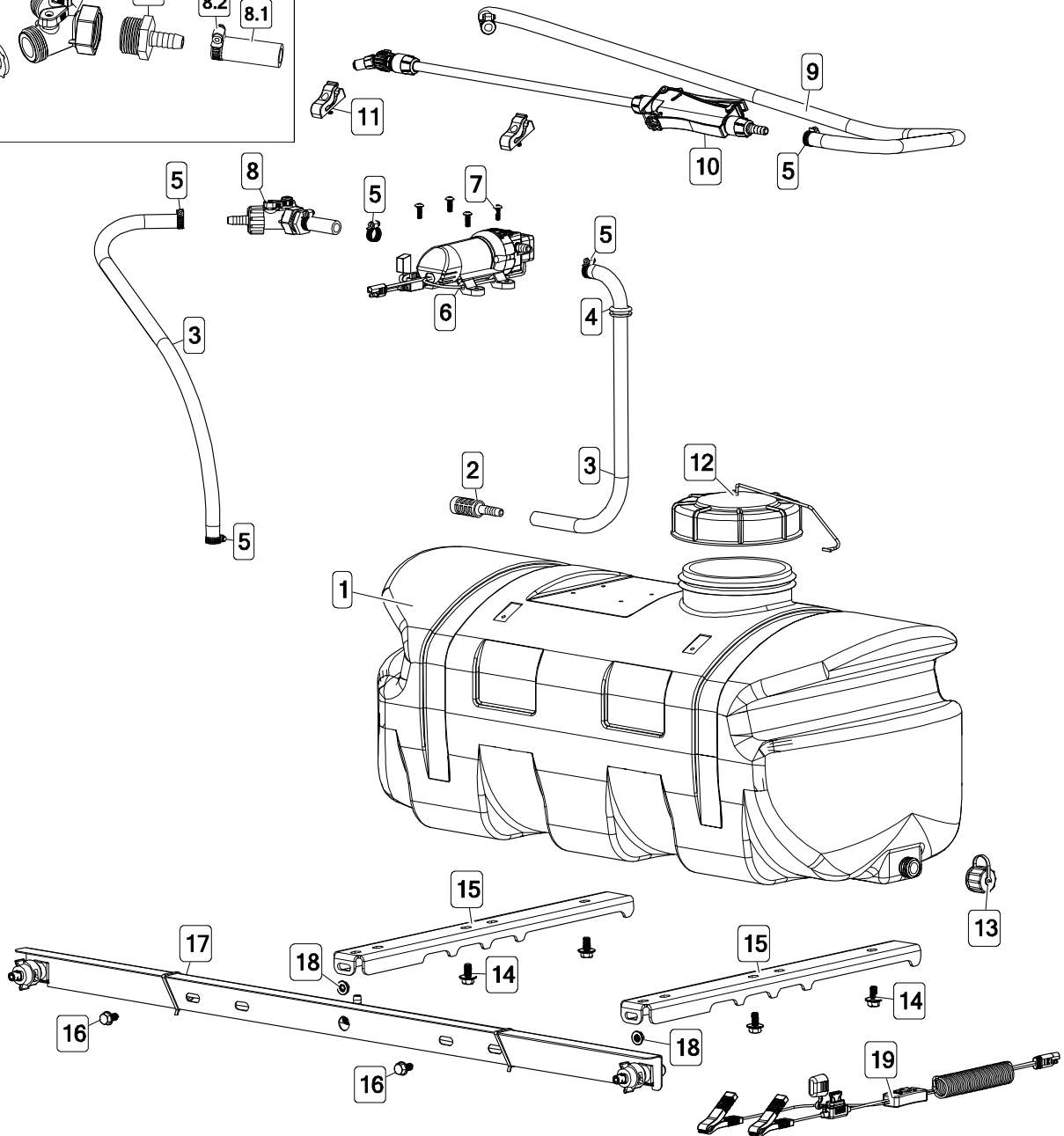
Both the counterweight and the bearing need to spin freely and both need to spin INDEPENDENTLY of each other. If these 2 pieces are 'stuck' together, you will need to break them free and whether or not they are sticking, spray some good quality lubricant or something similar on them and let it soak in and this should restore most of your prime.



Exploded View/Parts List:

CL-ATV-15-2N (5303011)

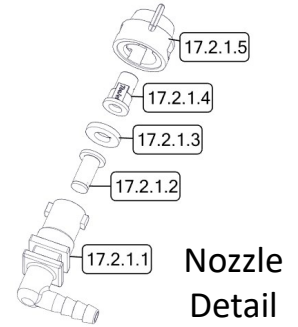
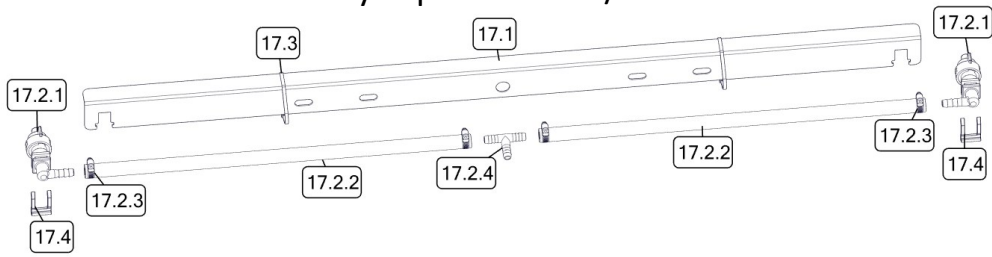
Refer below for part numbers



Ref. #	Part #	Description	Qty
1	TA15W	15 Gallon Tank (White)	1
2	5116454	3/8" Hose Barb Suction Strainer	1
3	5020531	Hose, 3/8"-1 Brd. x 19-3/8"	2
4	5075022	Grommet (5/8" I.D.)	1
5	5051144	Hose Clamp (3/8")	6
6	5281370	1.2 GPM, 60 PSI, 12V Pump	1
7	5117167	#10-24 x 0.625 PH Truss Head Screw	4
8	5281753	Y Valve Assembly	1
8.1	5020343	Hose, 3/8"-1 Brd. x 2"	1
8.2	5051144	Hose Clamp, 3/8"	1
8.3	5067120	Poly Fitting, 3/4" MGHT x 3/8" HB	1
8.4	5143204	Dual Hose Shut-Off "Y" Valve	1
8.5	5016066	1" Rubber Washer	2
8.6	5149034	Poly Swivel, 3/8" Hose Barb	2
8.7	5006209	Poly Knurled Swivel Nut, 3/4" FGHT	2

Ref. #	Part #	Description	Qty
9	5020524	Hose, 3/8"-1 Brd. x 15 Ft.	1
10	5163154	Entry Level Spray Wand	1
10.1	5018313	Adjustable ConeJet Tip (X18)	1
11	5274880	Wand Clips & Screws (Pkg/2)	1
12	5058188	Tank Lid w/Lanyard	1
13	5274373	Drain Plug Assembly	1
14	5034531	5/16-18 x 0.625 Flng Hex Bolt (Locking Patch)	4
15	5038953-BLK	Fixed ATV Boom Bracket	2
16	5034634	5/16-18 x 0.625 Flng Hex Bolt	2
17	5277774	2-Nozzle Rigid Trailer Boom (QJ)	1
18	5006307	5/16-18 Serrated Flng Hex Nut	2
19	5278017	Lead Wire w/5A Fuse (96" Long)	1
19.1	5157237	5 Amp Regular Blade Fuse	1

2-Nozzle Boom Assembly Exploded View/Parts List



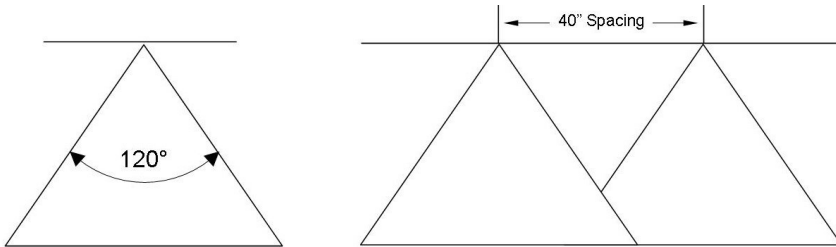
Ref. #	Part #	Description	Qty
17	5277774	2-Nozzle Rigid Trailer Boom (QJ)	1
17.1	5022431-BLK	Trailer Boom Mount Angle -2 Nozzle (QJ100)	1
17.2	5277692	2-Nozzle Harness (3/8")	1
17.2.1	5281306	Nozzle Assembly - QJ - (TF-VP3) - Elbow - 3/8"	2
17.2.1.1	5056113	Nozzle Body - QJ - Elbow - 3/8"	1
17.2.1.2	5143543	Nozzle Check Strainer, Blue (50 Mesh)	1
17.2.1.3	5016157	Seat Washer - EPDM - QJ Caps	1
17.2.1.4	5018274	Turbo FloodJet Tip (TF-VP3)	1
17.2.1.5	5046251	Quick Cap - Black	1
17.2.2	5020531	Hose, 3/8"-1 Brd. x 19-3/8" NBR & PVC	2
17.2.3	5051144	Hose Clamp (3/8")	4
17.2.4	5086025	Poly Hose Tee, 3/8" HB	1
17.3	5133094	Nylon Cable Tie	2
17.4	5053110	Plastic Retaining Clip	2

Based on the minimum overlap required to obtain uniform distribution with 120° tips and 40" spacing.

Suggested Minimum Spray Height: 18"-20" above what is being sprayed (to plant, not ground).

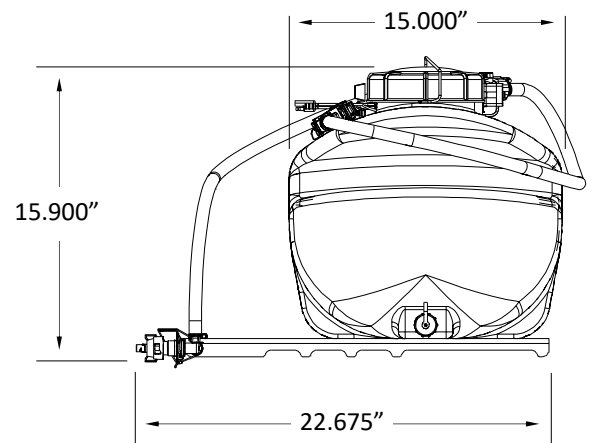
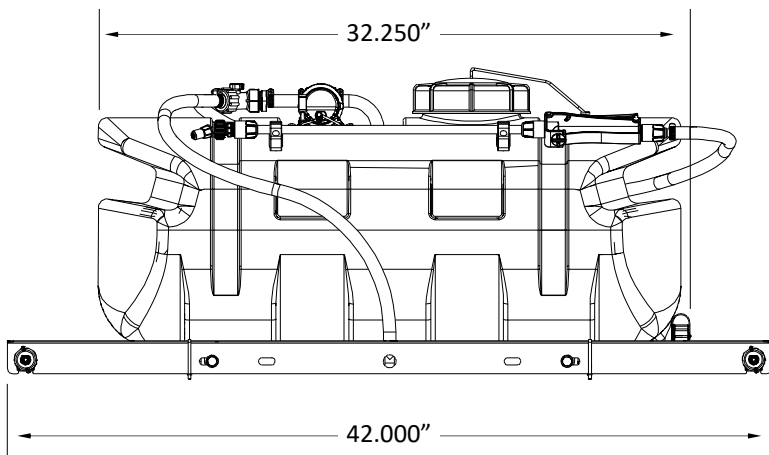
Optimum Spray Height: 39"

Wide angle spray nozzle height is influenced by nozzle orientation. The critical factor is to achieve a minimum 30% overlap.



- Excellent spray distribution for uniform coverage along the boom.
- Nozzle design incorporates a pre-orifice to produce larger droplets for less drift.

Approx. Dimensions:



Warranty

LIMITED WARRANTY FOR NEW FIMCO, IND. EQUIPMENT

WHO MAY USE THIS LIMITED WARRANTY. This limited warranty (the "Limited Warranty") is provided by Fimco, Ind. to the original purchaser ("you") of the Equipment (as defined below) from Fimco, Ind. or one of Fimco, Ind.'s authorized dealers. This Limited Warranty does not apply to any subsequent owner or other transferee of the Equipment. THIS LIMITED WARRANTY GIVES YOU SPECIFIC LEGAL RIGHTS, AND YOU MAY ALSO HAVE OTHER RIGHTS WHICH VARY FROM STATE TO STATE.

WHAT THIS LIMITED WARRANTY COVERS AND FOR HOW LONG. Fimco, Ind. warrants that any new Equipment will be free from defects in material and workmanship for a period of **one (1) year** for sprayer and **two (2) years** for High-Flo High Performance pump (homeowner), **90 days** for sprayer and pump (commercial user), after delivery of the Equipment to you (the "Warranty Period"). The Warranty Period is not extended if Fimco, Ind. repairs or replaces the Equipment.

WHAT IS NOT COVERED BY THIS LIMITED WARRANTY. This Limited Warranty does not apply to: (1) used Equipment; (2) any Equipment that has been altered, changed, repaired or treated since its delivery to you, other than by Fimco, Ind. or its authorized dealers; (3) damage or depreciation due to normal wear and tear; (4) defects or damage due to failure to follow Fimco, Ind.'s operator's manual, specifications or other written instructions, or improper storage, operation, maintenance, application or installation of parts; (5) defects or damage due to misuse, accident or neglect, "acts of God" or other events beyond Fimco, Ind.'s reasonable control; (6) accessories, attachments, tools or parts that were not manufactured by Fimco, Ind., whether or not sold or operated with the Equipment; or (7) rubber parts, such as tires, hoses and grommets.

HOW TO OBTAIN WARRANTY SERVICE. To obtain warranty service under this Limited Warranty, you must (1) provide written notice to Fimco, Ind. of the defect during the Warranty Period and within **thirty (30) days** after the defect becomes apparent or the repair becomes necessary, at the following address: Fimco, Ind., 1000 Fimco Lane, North Sioux City, SD 57049; and (2) make the Equipment available to Fimco, Ind. or an authorized dealer within a reasonable period of time. For more information about this Limited Warranty, please call: **800-831-0027**.

WHAT REMEDIES ARE AVAILABLE UNDER THIS LIMITED WARRANTY. If the conditions set forth above are fulfilled and the Equipment or any part thereof is found to be defective, Fimco, Ind. shall, at its own cost, and at its option, either repair or replace the defective Equipment or part. Fimco, Ind. will pay for shipping and handling fees to return the repaired or replacement Equipment or part to you.

LIMITATION OF IMPLIED WARRANTIES AND OTHER REMEDIES. THE REMEDIES DESCRIBED ABOVE ARE YOUR SOLE AND EXCLUSIVE REMEDIES, AND FIMCO, IND.'S SOLE LIABILITY, FOR ANY BREACH OF THIS LIMITED WARRANTY. TO THE EXTENT APPLICABLE, ANY IMPLIED WARRANTIES, INCLUDING, WITHOUT LIMITATION, THE IMPLIED WARRANTIES OF MERCHANTABILITY AND FITNESS FOR A PARTICULAR PURPOSE, SHALL BE LIMITED IN DURATION TO THE WARRANTY PERIOD, AND THE REMEDIES AVAILABLE FOR BREACH THEREOF SHALL BE LIMITED TO THE REMEDIES AVAILABLE UNDER THIS EXPRESS LIMITED WARRANTY. SOME STATES DO NOT ALLOW LIMITATIONS ON HOW LONG AN IMPLIED WARRANTY LASTS, SO THE ABOVE LIMITATION MAY NOT APPLY TO YOU. IN NO EVENT SHALL FIMCO, IND.'S LIABILITY UNDER THIS LIMITED WARRANTY EXCEED THE ACTUAL AMOUNT PAID BY YOU FOR THE DEFECTIVE EQUIPMENT, NOR SHALL FIMCO, IND. BE LIABLE, UNDER ANY CIRCUMSTANCES, FOR ANY CONSEQUENTIAL, INCIDENTAL, SPECIAL OR PUNITIVE DAMAGES OR LOSSES, WHETHER DIRECT OR INDIRECT. SOME STATES DO NOT ALLOW THE EXCLUSION OR LIMITATION OF INCIDENTAL OR CONSEQUENTIAL DAMAGES, SO THE ABOVE LIMITATION OR EXCLUSION MAY NOT APPLY TO YOU.