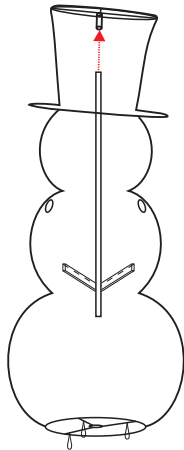


Product Name:	Snowman with Ornaments Lighted Winter Holiday Yard Decoration
SKU#:	WHHD1642

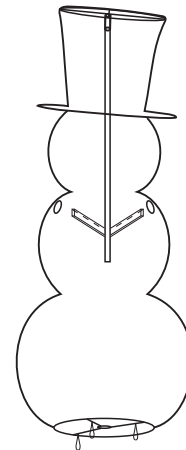
Thank you for your purchase of our LuxenHome product. This product is manufactured with the highest standards of safety and quality.

1



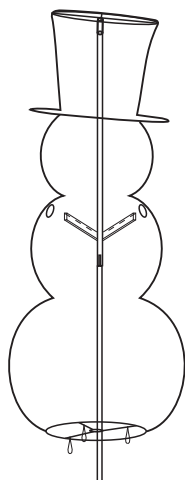
Iron pipes with square tubes assemble with round tubes on top of the snowman interior.

2



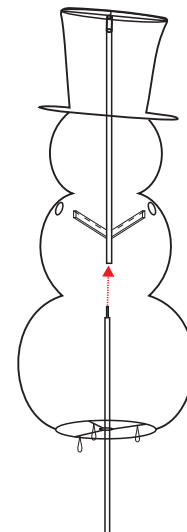
The first iron pipe is fully assembled.

3



The small end of the second iron tube is inserted into the bottom of the iron tube with the square tube.

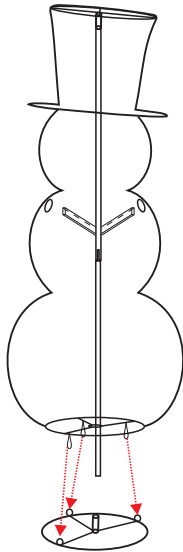
4



The second iron pipe is fully assembled.

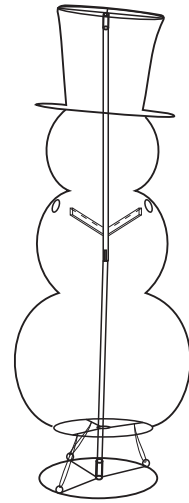
Product Name:	Snowman with Ornaments Lighted Winter Holiday Yard Decoration
SKU#:	<u>WHHD1642</u>

5



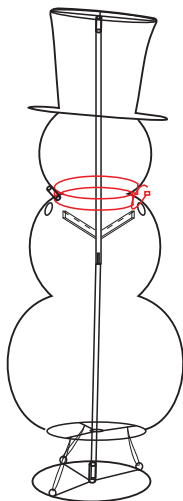
The rubber band at the bottom elongates into the small ring on the base of the disc.

6



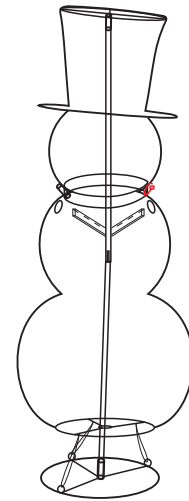
The base assembly is complete.

7



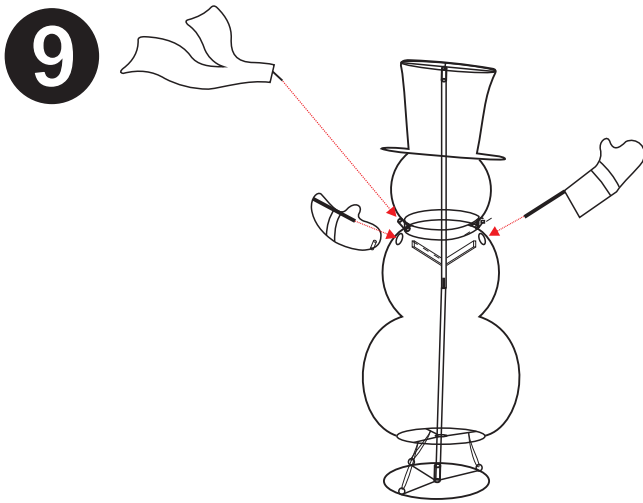
The scarf iron frame is installed on the snowman's neck.

8



Neck iron frame tie belt fixed.

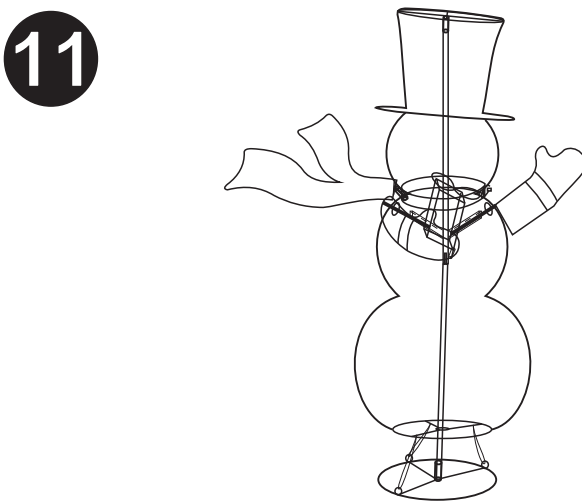
Product Name:	Snowman with Ornaments Lighted Winter Holiday Yard Decoration
SKU#:	WHHD1642



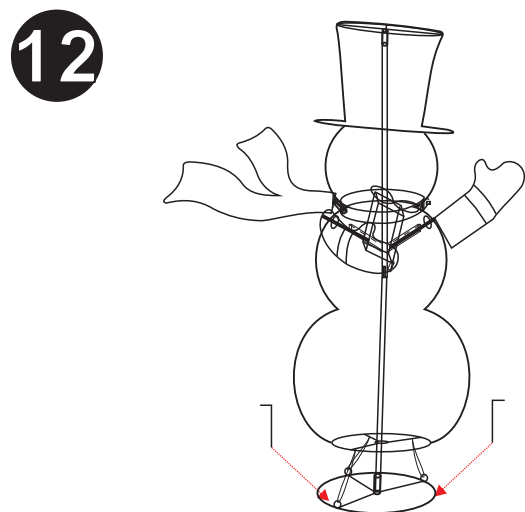
The hands and scarf inserted in each appropriate tube.



The insert pin at the bottom of the gift box is inserted into the round tube in the snowman's palm.



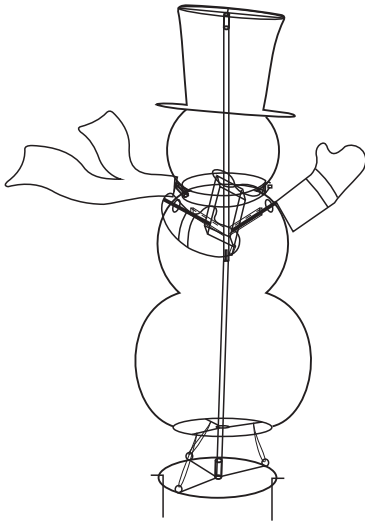
Gift box assembly is complete.



The ground stakes are inserted into the base to secure it the ground.

Product Name:	Snowman with Ornaments Lighted Winter Holiday Yard Decoration
SKU#:	<u>WHHD1642</u>

13



Congratulations, product assembly is complete!