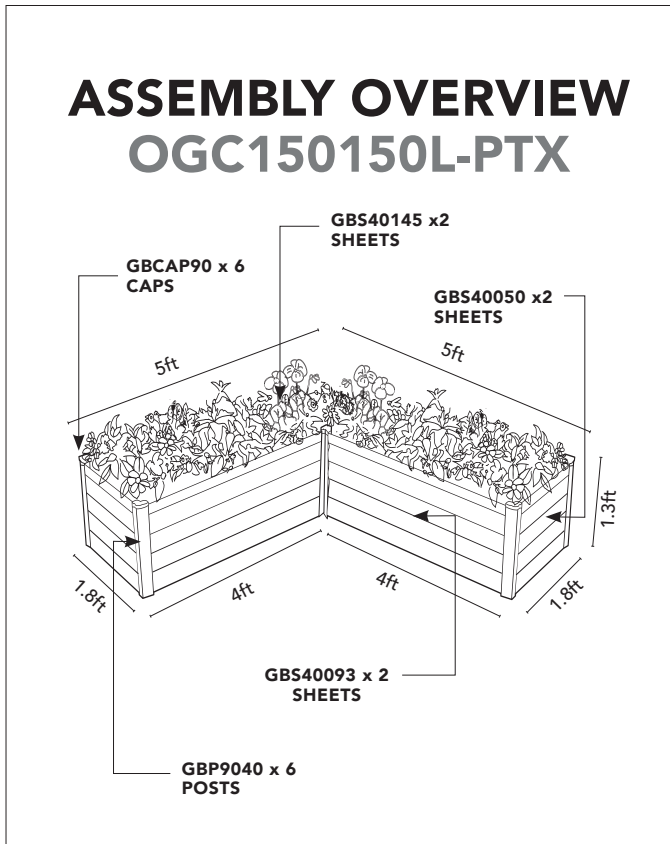


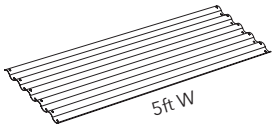
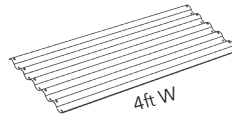
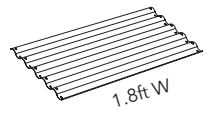
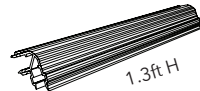
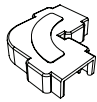


Farm fresh food at home

# L-Shape Raised Garden Bed



### PACKING LIST:

SHEETING			
PART NUMBER		QTY	CHECK
	GBS40145	2	
	GBS40093	2	
	GBS40050	2	
POSTS & CAPS			
	GBP9040	6	
	GBCAP90	6	

## ! FIRST STEPS

Using safety gloves, unpack your carton. Check off the parts using the packing list. When assembling, most parts should slide together with minimal effort. Use a rubber mallet to gently tap components into position. Any questions? Call us on 0866 788 3046.

## IMPORTANT

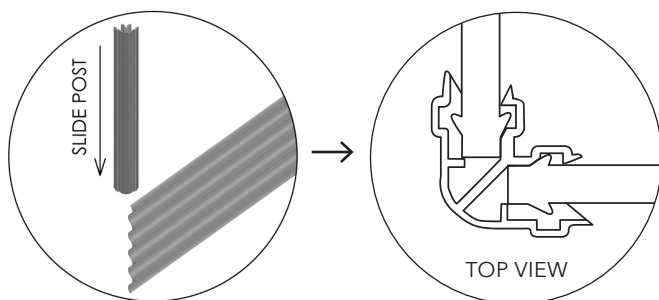
It is advised that you install your garden bed on a flat/even surface to avoid leakages and maintain an even weight distribution.

Incorrect installation will void the warranty.



## 1 SLIDE SHEETS INTO POSTS

Organic Garden Co garden beds use the SNAPTITE Assembly System. Ensure that the lugs in the steel sheet click into the posts correctly, see below diagram.



## 2 SAFETY CAPS

Clip on the safety caps to each post. Use a mallet to tap into place if necessary.

