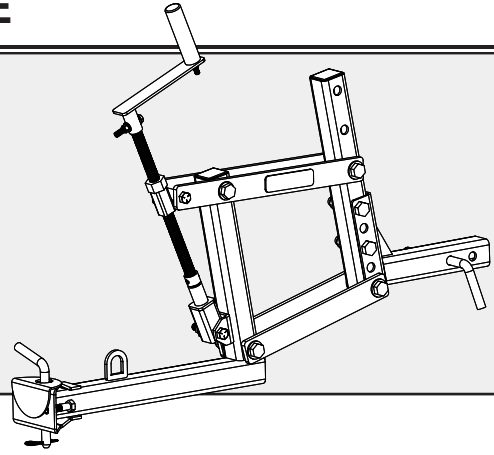


# USE AND CARE

## ONE POINT LIFT SYSTEM (OPL-BH)



### SPECIFICATIONS

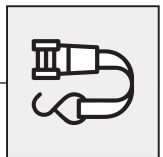
Maximum  
Towing Speed . . . . . 5 mph  
Material . . . . . 2" Square Tube  
Steel Stock

#### COMPATIBILITY

- BS-381      - BS-381-A
- BS-42BH    - BS-42BH-A
- BB-562      - BB-562-A
- CC-560      - CC-560-A
- DD-551      - DD-551-A
- PP-510      - PP-510-A

*For use with utility task vehicles  
and all terrain vehicles.*

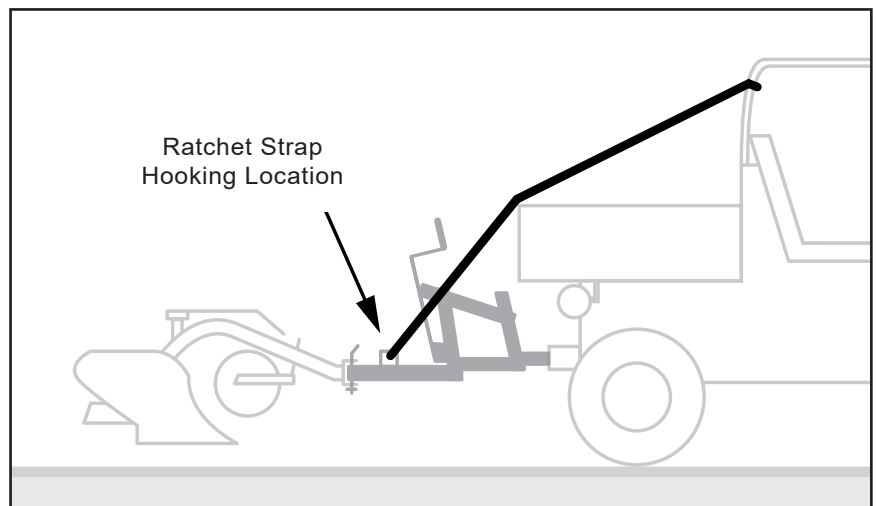
### RATCHET STRAPS



For additional support and to prevent any damage, do not use product without ratchet straps securing the product to the bed or cage of the vehicle.

Keep ratchet straps connecting the lift and attached vehicle tight when in transport mode. Straps can be slightly loosened once the attached product is engaged with the ground.

- Minimum strap length . . . . . 14'
- Minimum strap width . . . . . 1"
- Hook type . . . . . S or J
- Work load limit . . . . . 500 pounds
- Break strength . . . . . 1500 pounds

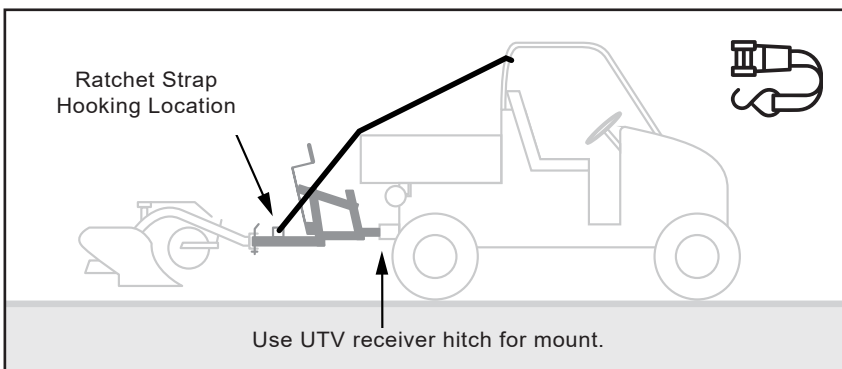
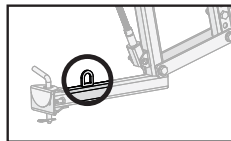
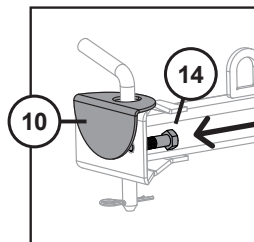
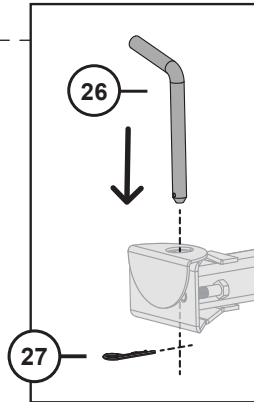


# USE AND CARE

## INSTALLING

NOTE: Do not install or remove product from UTV while ground engaging product is attached.

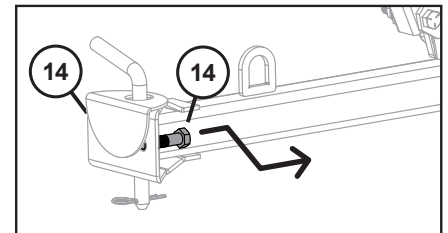
1. Park machine safely.  
(See *Towing Machine manual*.)
2. Insert the lift into UTV receiver and pin to lock in place. Secure with a cotter pin.
3. To install ground engaging product lower the end of the lift to match the height of the receiving end of the ground engaging product's sleeve hitch point.
4. Secure with hitch pin (26) and cotter pin (27).
5. Using a 3/4" wrench, tighten the two bolts (14) by the sleeve hitch Stabilizing Plate (10).  
NOTE: This will press against ground engaging product, preventing any swaying / movement.
6. Ratchet straps should attach from the cage or bed of UTV to the OPL-BH Hitch hooking location, indicated below.



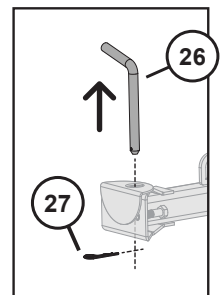
## REMOVING

NOTE: Do not install or remove the product from your UTV while ground engaging product is attached.

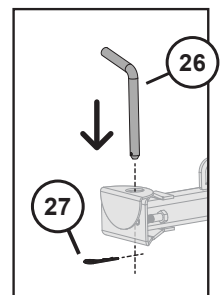
1. Park machine safely.  
(See *Towing Machine manual*.)
2. Remove ratchet straps and loosen the two stabilizing bolts (14) at the base of the OPL-BH Hitch and attachment.



3. Remove the hairpin cotter (27) & hitch pin (26).
4. Remove attachment.



5. Re-install hitch pin (26) and the hairpin cotter (27) for storage.
6. Detach the OPL-BH from your towing machine.



# USE AND CARE

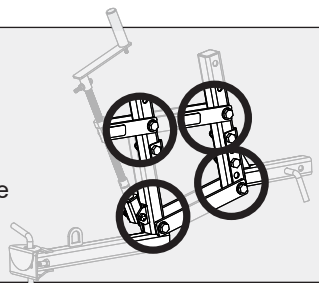
## OPERATION



### **WARNING: PINCH POINTS**



Do not pick up the product near the 4 inside corners on either side as it may cause injury.



### **WEIGHT:**

- Do not exceed tongue weight of attached vehicle.
- Minimum recommended towing capacity of the ATV/UTV to use the lift with is 1500 lbs.

### **STRAPS:**

- Do not use product without ratchet straps securing the product to the bed or cage of the vehicle.
- Keep ratchet straps connecting the lift and attached vehicle tight when in transport mode. Straps can be slightly loosened once the attached product is engaged with the ground.

### **SPEED:**

- Do not exceed 5 mph when attached ground engaging products are engaged with the ground.

### **SETTINGS:**

- The bars attached to 1020158-10 can be adjusted to different holes for various lift/depth heights as needed. The one shown in the manual/model provides the optimal amount of lift/engaged heights for general use.

### **OPERATION:**

- Once assembled, turn handle clockwise to lift the end and reverse to lower.
- The lead screw should be lubricated with a light coat of a light oil before each use.
- Always follow instructions of both the attached ground engaging product and UTV / ATV's manuals.

### **ADJUSTMENT:**

- Do not change attachment point of the arm bars when ground engaging product is attached.

## MAINTENANCE



- Keep lead screw clean from debris, and before each use light oil on lead screw to prevent binding.
- If lead screw becomes stuck then slightly loosen the bolts from steps 5, 3 and 2. If problem persists then relieve pressure from active end of the unit, then clean lead screw from any debris and apply light coating of oil or WD 40.
- Should rust develop, sand lightly & then paint area with enamel.
- Periodically check all fasteners for tightness.

Additional info and videos are available on our website:

**brinly.com**

*This QR code links directly to the OPL-BH product page.*



