



Count on it.

Parts Catalog

eTimeMaster 30in 60V

Lawn Mower

Model No. 21491—Serial No. 40000000 and Up



Ordering Replacement Parts

To order replacement parts, please supply the part number, the quantity, and the description of each part desired.

Understanding Reference Numbers

Each identified part in an illustration has a reference number. The reference number for a part also appears in the parts list, along with other information about the part.

This catalog uses two special reference number formats, one to indicate parts in a service assembly and another to indicate the quantity of a given part in an illustration.

Service Assembly Reference Numbers

Parts in service assemblies have reference numbers in the form a:b. The a represents the reference number of the entire service assembly and the b represents a sequential number unique to each part within the service assembly.

For example, a wheel assembly might be identified by reference number 6, the tire by 6:1, the valve by 6:2, and the wheel by 6:3. When you order the assembly identified by reference number 6, you receive all parts identified by reference numbers 6:1, 6:2, and 6:3. However, you may also order any part individually. Reference numbers of this type appear in illustration and in parts lists.

Reference Numbers Indicating Quantity

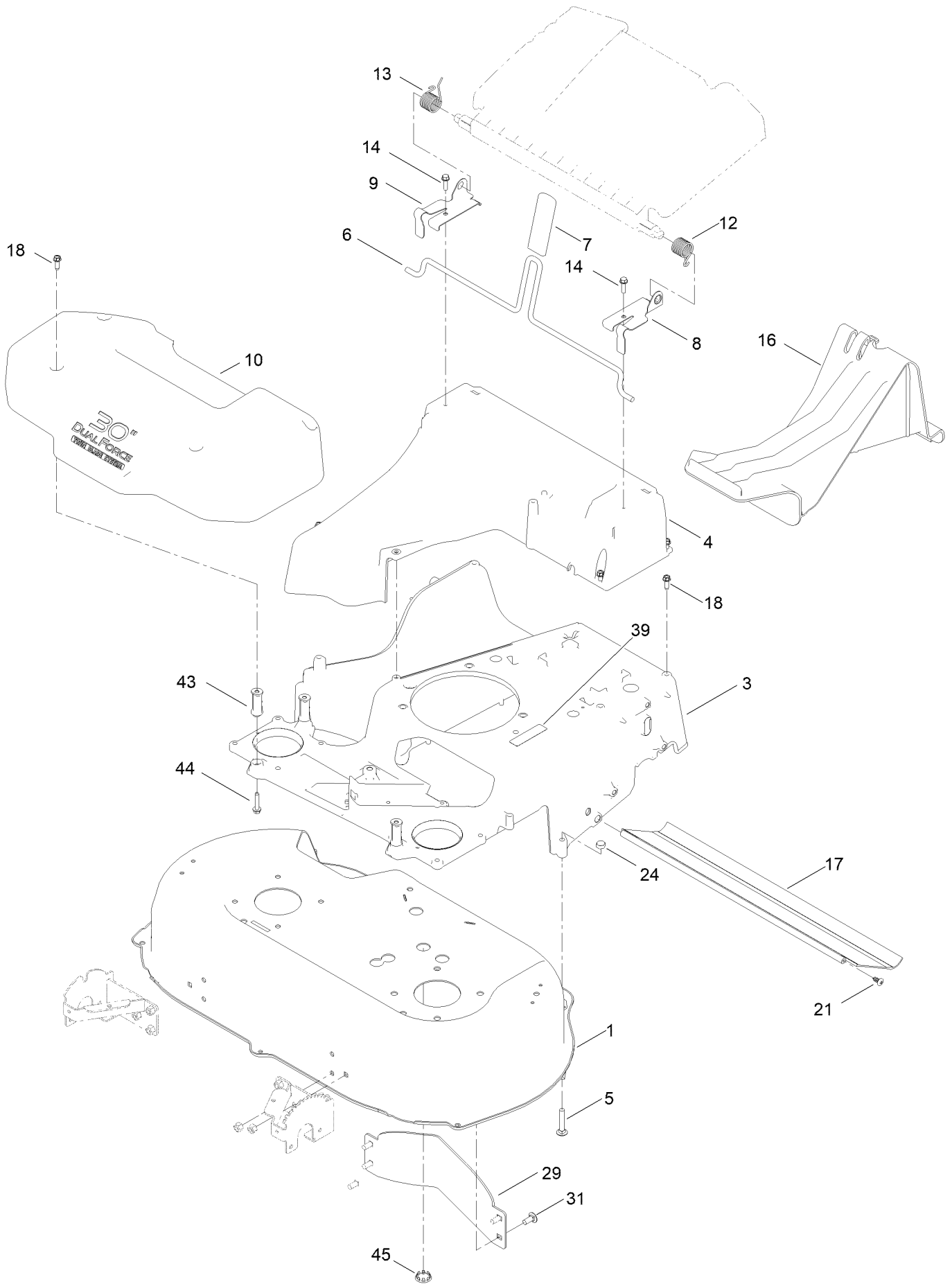
In an illustration, if a reference number indicates more than one part, the reference number has the form nX y. The n represents the quantity of the part, the X is the multiplication symbol, and the y represents the reference number.

For example, in an illustration, the reference number 2X 37 means that two of the parts identified by reference number 37 are indicated.

Contents

| | |
|----------------------------------------------|----|
| Housing Assembly | 4 |
| Spindle and Blade Assembly | 6 |
| Side Discharge Chute Assembly | 8 |
| Grass Bag Assembly | 10 |
| Motor Module and Belt Assembly | 12 |
| Motor Module Assembly No. 145-5881 | 14 |
| Front Wheel and Height-of-Cut Assembly | 16 |
| Rear Wheel and Height-of-Cut Assembly | 18 |
| Handle Assembly | 20 |
| Attachments and Accessories | 22 |

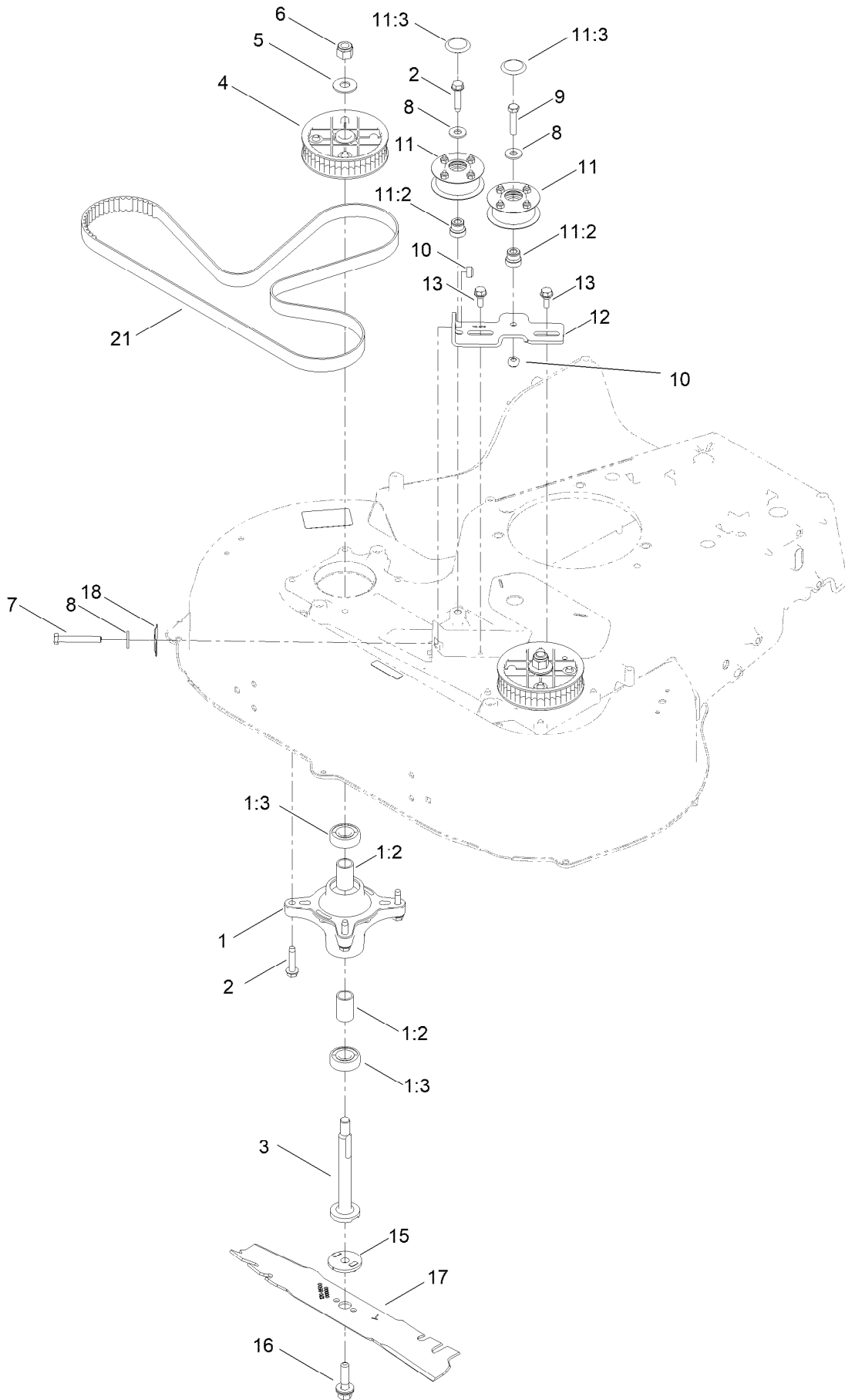
Housing Assembly



Housing Assembly (continued)

| <i>Ref.</i> | <i>Part Number</i> | <i>Qty.</i> | <i>Description</i> | <i>Ref.</i> | <i>Part Number</i> | <i>Qty.</i> | <i>Description</i> |
|-------------|--------------------|-------------|---------------------|-------------|--------------------|-------------|-------------------------------------|
| 1 | 136-5873 | 1 | Housing ASM | 16 | 120-5225 | 1 | Plug-Mulch |
| 3 | 145-3985-01 | 1 | Frame-30In, 60V | 17 | 120-6241 | 1 | Shield-Trailing |
| 4 | 133-8177 | 1 | Chute | 18 | 49-2040 | 8 | Screw-HWHTF |
| 5 | 3230-5 | 2 | Bolt-CARR | 21 | 117-1092 | 2 | Screw-PTH |
| 6 | 139-5415 | 1 | Rod-Release, Handle | 24 | 3296-29 | 2 | Nut-Lock, NI |
| 7 | 120-7018 | 1 | Grip-Lever | 29 | 130-2352-01 | 1 | Baffle-Control |
| 8 | 121-9114 | 1 | Bracket-Door, LH | 31 | 32144-86 | 1 | Screw-HWHTF |
| 9 | 121-9115 | 1 | Bracket-Door, RH | 39 | 133-8054 | 1 | Decal-Prop 65, Short, Trilingual |
| 10 | 145-5894 | 1 | Cover-Belt | | | | |
| 12 | 115-2859 | 1 | Spring-Torsion | 43 | 140-3901 | 3 | Spacer-Frame, 30 In. |
| 13 | 114-7924 | 1 | Spring-Torsion | 44 | 108-4862 | 3 | Screw-HWH Thd Roll |
| 14 | 46-8091 | 3 | Screw-HWH | 45 | 147-0471 | 1 | Plug-Button |

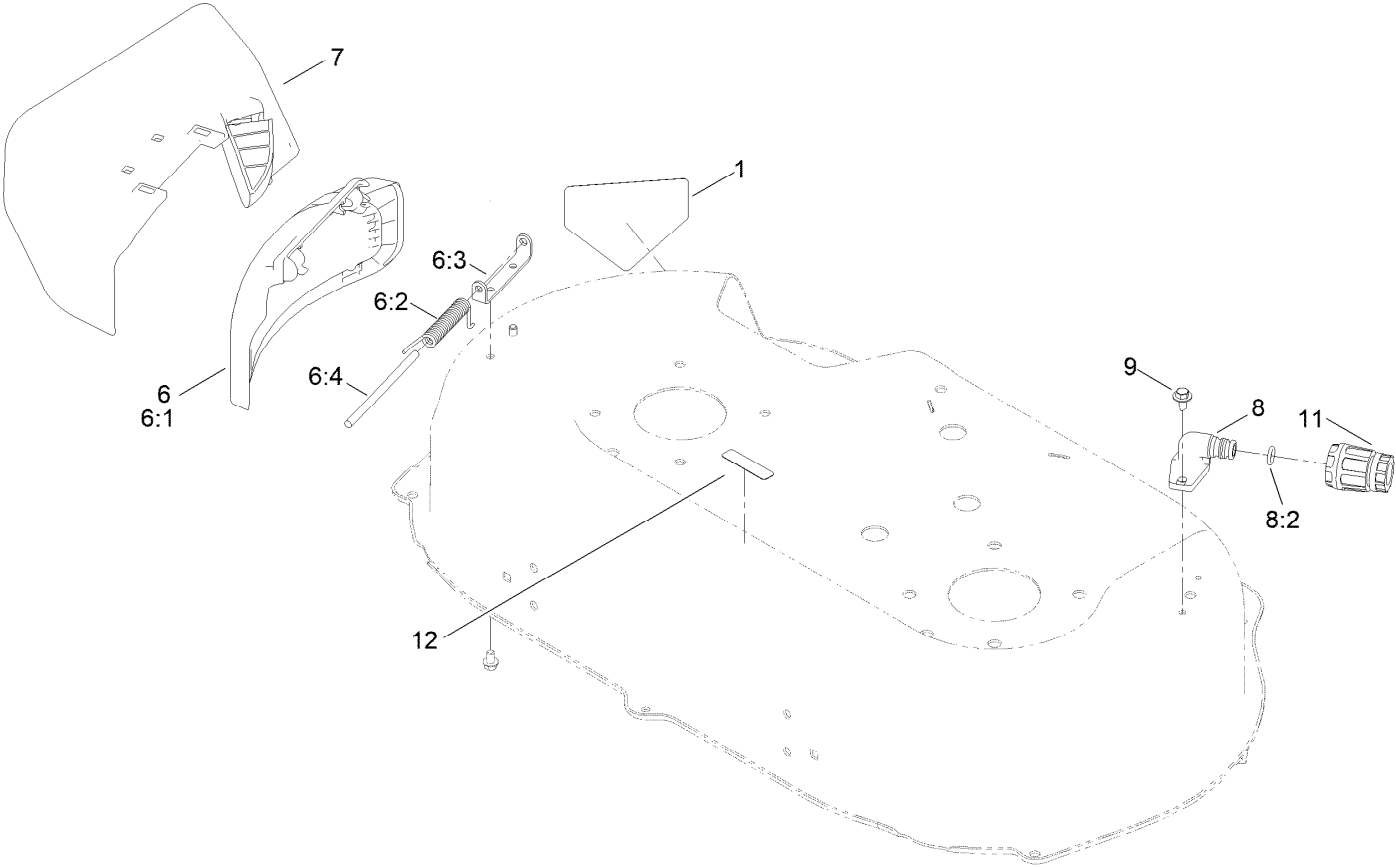
Spindle and Blade Assembly



Spindle and Blade Assembly (continued)

| <i>Ref.</i> | <i>Part Number</i> | <i>Qty.</i> | <i>Description</i> | <i>Ref.</i> | <i>Part Number</i> | <i>Qty.</i> | <i>Description</i> |
|-------------|--------------------|-------------|---------------------|-------------|--------------------|-------------|----------------------|
| 1 | 121-9107 | 2 | Spindle ASM | 10 | 119-4038 | 2 | Nut-Hex |
| 1:2 | 120-7935 | 2 | Spacer | 11 | 131-4529 | 2 | Pulley Kit |
| 1:3 | 138-9770 | 2 | Bearing-Ball | 11:2 | 131-4504 | 1 | Adapter-Bore |
| 2 | 139-1731 | 9 | Screw-Thd Roll, HWH | 11:3 | 125-2533 | 1 | Plug-Cap |
| 3 | 139-6612 | 2 | Shaft-Spindle | 12 | 145-4016 | 1 | Bracket-Idler |
| 4 | 121-9100 | 2 | Sprocket | 13 | 139-1730 | 2 | Screw-Shoulder, HHF |
| 5 | 109-9505 | 2 | Washer-Spring | 15 | 120-5236 | 2 | Adapter-Blade |
| 6 | 139-1725 | 2 | Nut-Hex | 16 | 125-2466 | 2 | Bolt-Blade |
| 7 | 139-1728 | 1 | Bolt-HH Ft | 17 | 145-4002-03 | 2 | Blade-Rotary [black] |
| 8 | 139-1723 | 2 | Washer-Flat | 18 | 121-2336 | 1 | Spring-Flat |
| 9 | 120-2779 | 1 | Screw-HH | 21 | 145-4001 | 1 | Belt-Synchronous |

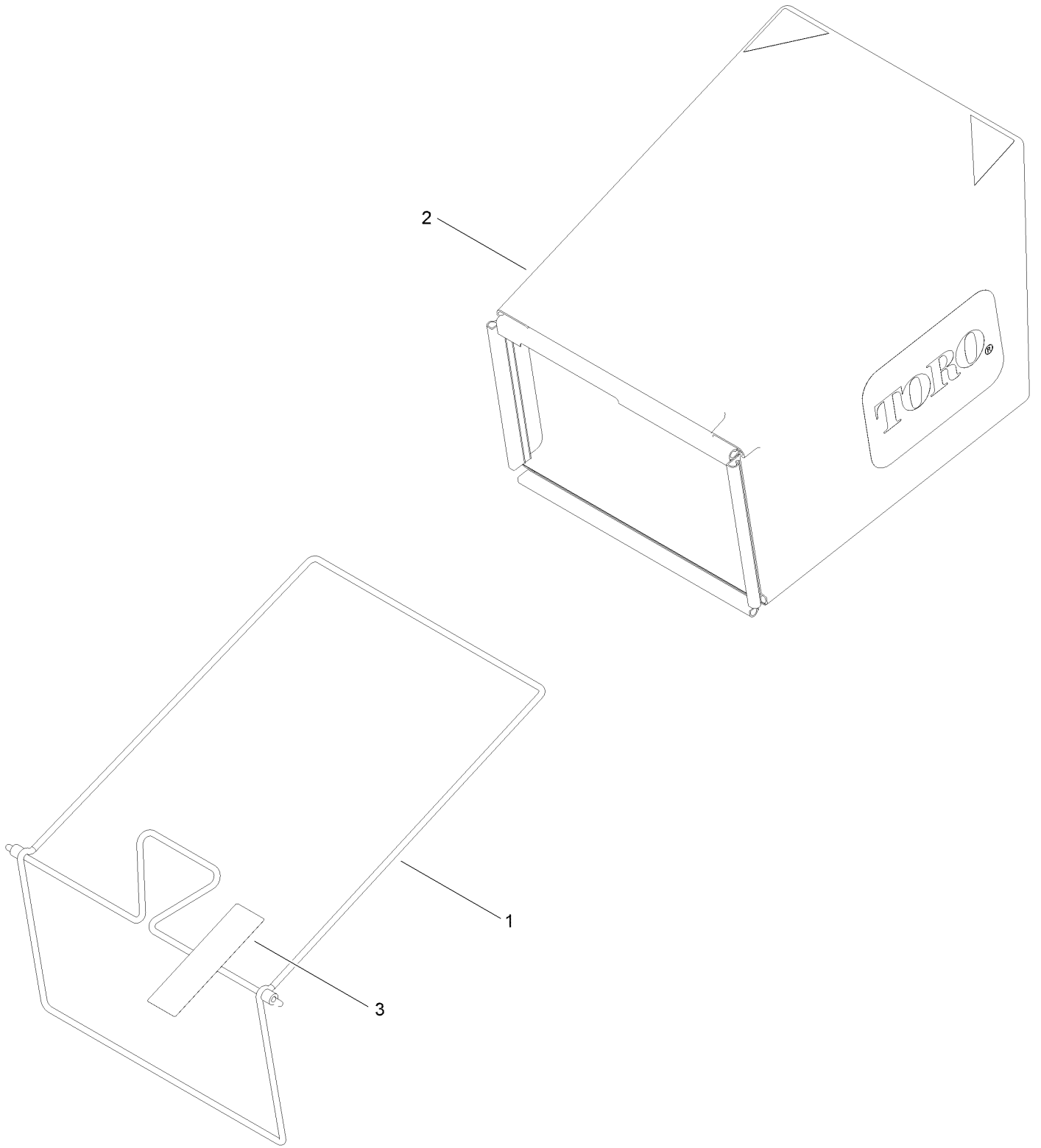
Side Discharge Chute Assembly



Side Discharge Chute Assembly (continued)

| <i>Ref.</i> | <i>Part Number</i> | <i>Qty.</i> | <i>Description</i> | <i>Ref.</i> | <i>Part Number</i> | <i>Qty.</i> | <i>Description</i> |
|-------------|--------------------|-------------|----------------------------|-------------|--------------------|-------------|-----------------------|
| 1 | 94-8072 | 1 | Decal-Danger | 7 | 121-2319 | 1 | Chute-Discharge, Side |
| 6 | | 1 | Side Deflector Service ASM | 8 | 133-9289 | 1 | Fitting-Washout |
| 6:1 | 125-5091 | 1 | Deflector-Side | 8:2 | 133-9290 | 1 | O-Ring |
| 6:2 | 127-0721 | 1 | Spring-Torsion, Cover | 9 | 139-1700 | 2 | Screw-HWH, Thd Roll |
| 6:3 | 112-6416 | 1 | Bracket-Cover | 11 | 95-3270 | 1 | Connector-Hose |
| 6:4 | 99-5291 | 1 | Rod-Cover | 12 | 120-9570 | 1 | Decal-Warning |

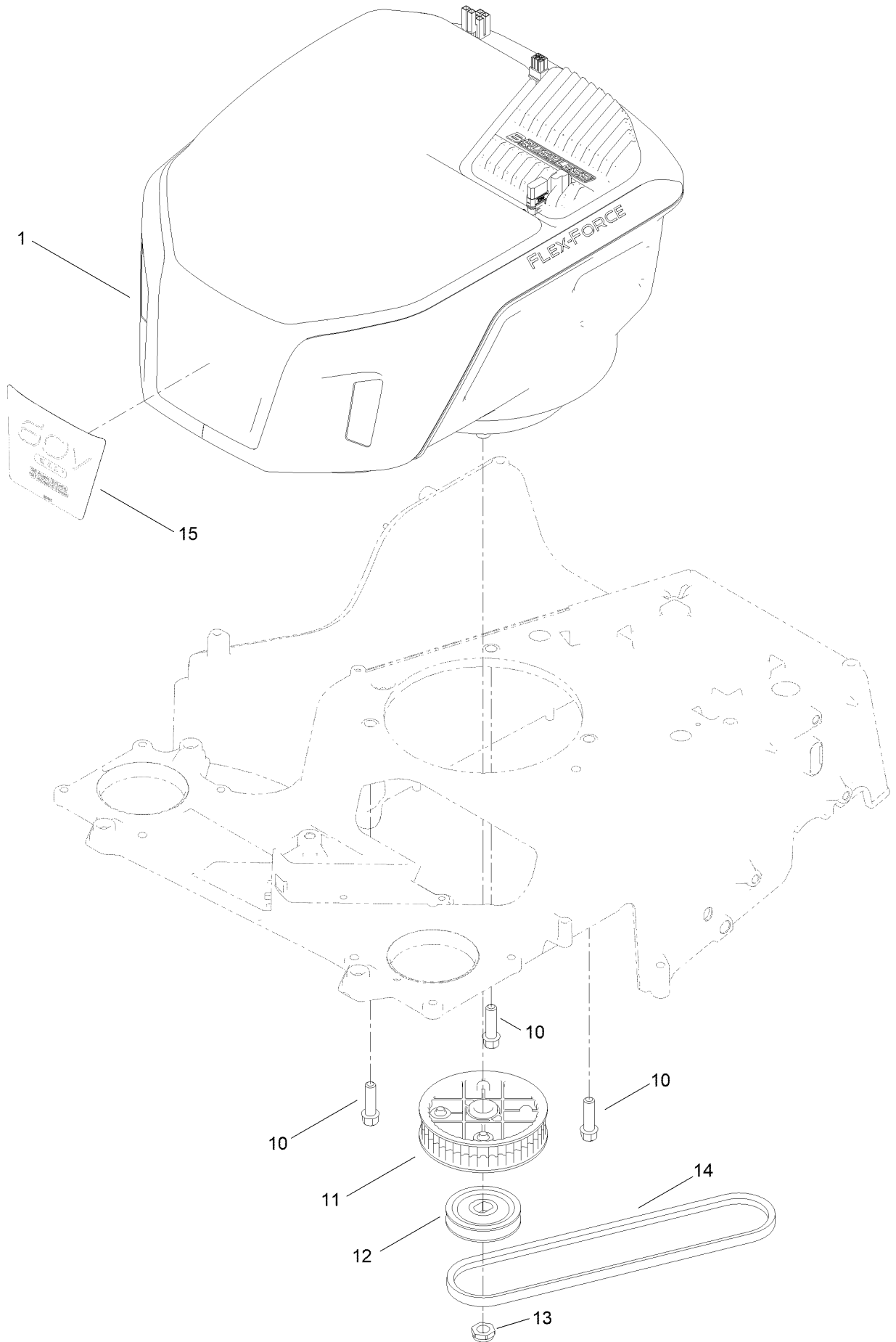
Grass Bag Assembly



Grass Bag Assembly (continued)

| <i>Ref.</i> | <i>Part Number</i> | <i>Qty.</i> | <i>Description</i> |
|-------------|--------------------|-------------|---------------------|
| 1 | 121-5766-03 | 1 | Frame-Bag |
| 2 | 121-5770 | 1 | Bag-Grass |
| 3 | 139-8986 | 1 | Decal-Warning (Bag) |

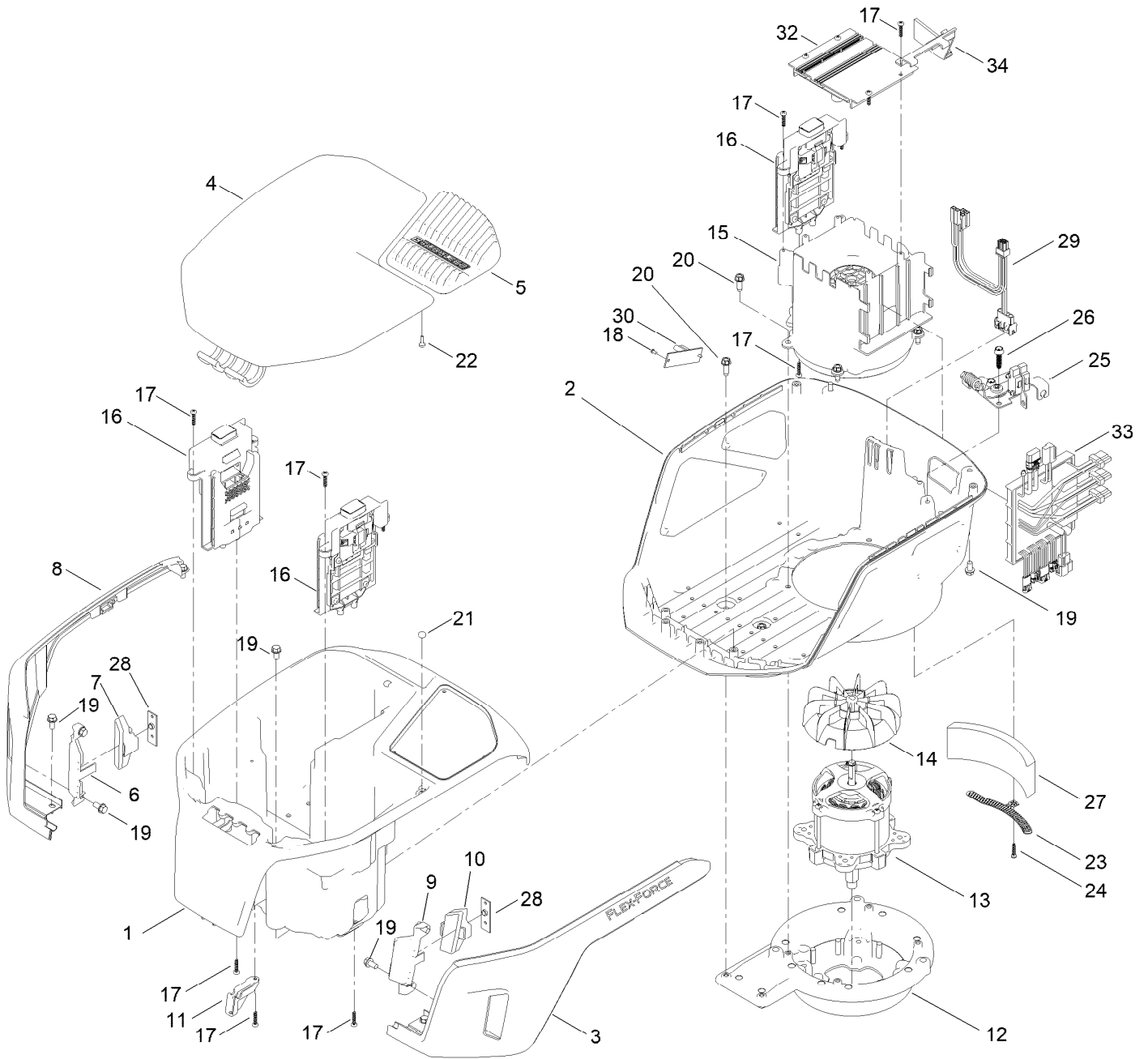
Motor Module and Belt Assembly



Motor Module and Belt Assembly (continued)

| <i>Ref.</i> | <i>Part Number</i> | <i>Qty.</i> | <i>Description</i> | <i>Ref.</i> | <i>Part Number</i> | <i>Qty.</i> | <i>Description</i> |
|-------------|--------------------|-------------|---------------------|-------------|--------------------|-------------|--------------------|
| 1 | 145-5881 | 1 | Motor Module 60V | 13 | 3296-28 | 1 | Nut-Lock, NI |
| 10 | 121-5844 | 3 | Screw-Thd Form, HWH | 14 | 120-9470 | 1 | V-Belt, Traction |
| 11 | 121-9100 | 1 | Sprocket | 15 | 147-0515 | 1 | Decal-60V |
| 12 | 147-0431 | 1 | Pulley-Traction | | | | |

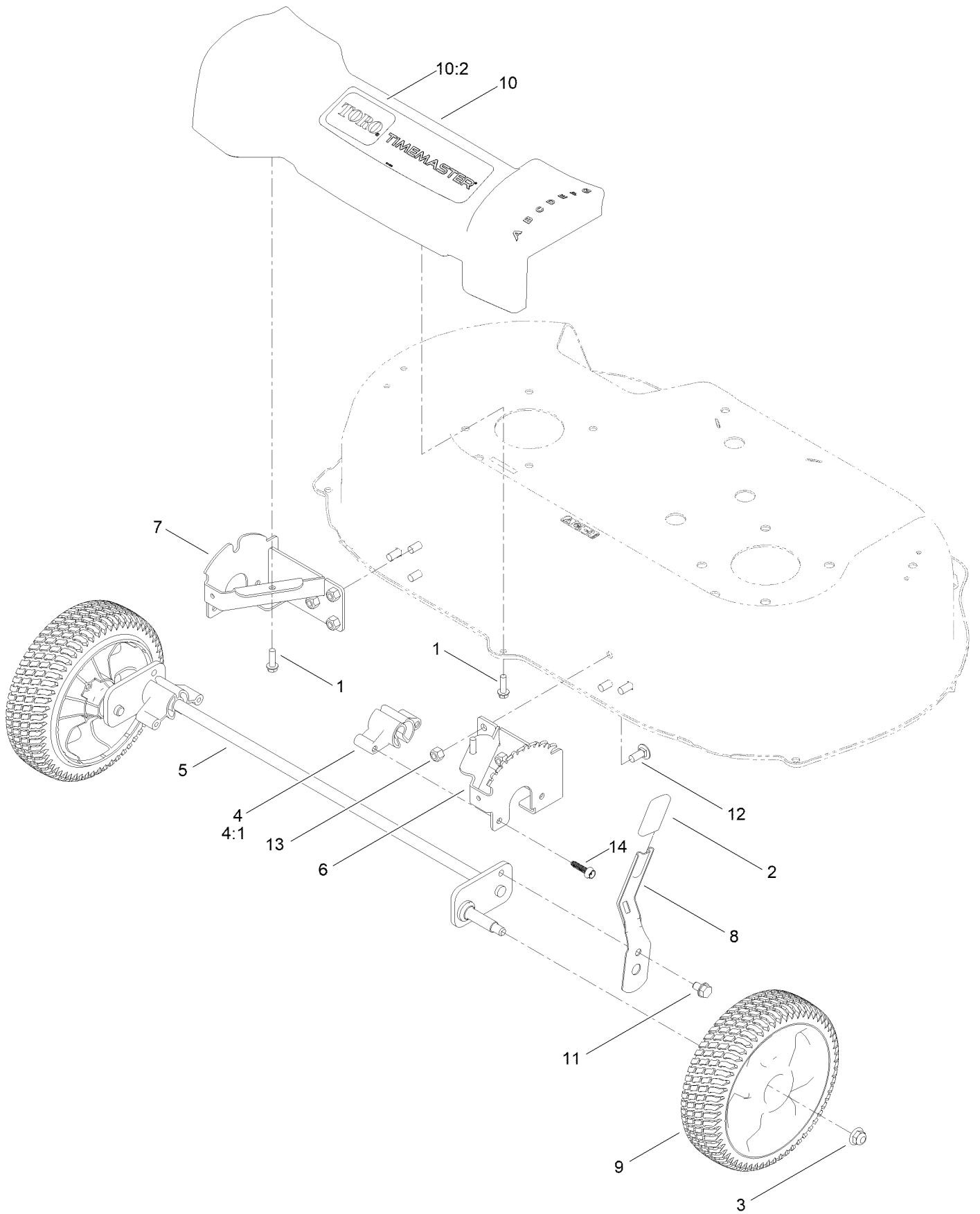
Motor Module Assembly No. 145-5881



Motor Module Assembly No. 145-5881 (continued)

| <i>Ref.</i> | <i>Part Number</i> | <i>Qty.</i> | <i>Description</i> | <i>Ref.</i> | <i>Part Number</i> | <i>Qty.</i> | <i>Description</i> |
|-------------|--------------------|-------------|----------------------|-------------|--------------------|-------------|-----------------------|
| 1 | 145-5882 | 1 | Bucket-Battery | 18 | 112-8658 | 2 | Screw-PPH |
| 2 | 145-5883 | 1 | Shroud-Lower | 19 | 46-8093 | 12 | Screw-Plastite |
| 3 | 145-5884 | 1 | Trim-Shroud, LH | 20 | 49-2040 | 6 | Screw-HWHTF |
| 4 | 145-5885 | 1 | Lid-Motor | 21 | 114-5896 | 2 | Magnet |
| 5 | 145-5886 | 1 | Heatsink-Controller | 22 | 95-4234 | 2 | Screw-PPH |
| 6 | 145-5887 | 1 | Lens-LED, RH | 23 | 147-0449 | 1 | Bracket-Foam |
| 7 | 145-5888 | 1 | Reflector-LED, RH | 24 | 138-3273 | 1 | Screw-Plastic, PPH |
| 8 | 145-5889 | 1 | Trim-Shroud, RH | 25 | 133-1918 | 1 | Bail Switch ASM |
| 9 | 145-5890 | 1 | Lens-LED, LH | 26 | 130-6658 | 2 | Screw-Flange, Plastic |
| 10 | 145-5891 | 1 | Reflector-LED, LH | 27 | 145-3972 | 1 | Foam |
| 11 | 145-5892 | 2 | Bracket-Support, Lid | 28 | 144-6448 | 2 | Board-Light, LED |
| 12 | 145-5895 | 1 | Mount-Base, Motor | 29 | 139-6637 | 1 | Harness-Wire |
| 13 | 145-4048 | 1 | Motor-60V | 30 | 145-1530 | 1 | Driver-LED |
| 14 | 145-5896 | 1 | Fan-Motor | 32 | 147-0451 | 1 | Controller-Pmu |
| 15 | 145-5897 | 1 | Shroud-Motor | 33 | 147-0452 | 1 | Controller-Motor |
| 16 | 147-0403 | 3 | Receiver-Battery | 34 | 161-3110 | 1 | Bracket-Pmu |
| 17 | 94-4496 | 20 | Screw-PPH | | | | |

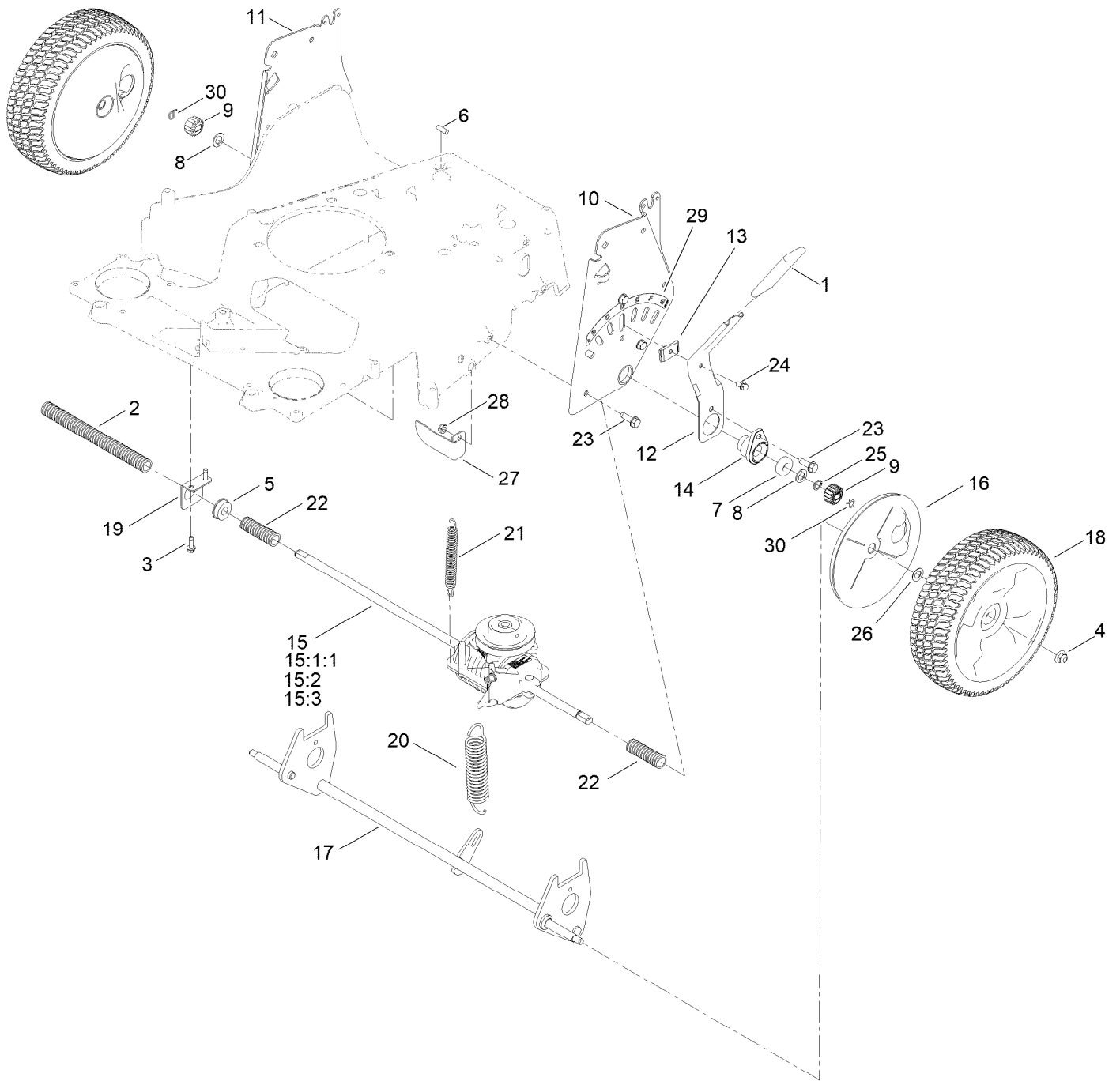
Front Wheel and Height-of-Cut Assembly



Front Wheel and Height-of-Cut Assembly (continued)

| <i>Ref.</i> | <i>Part Number</i> | <i>Qty.</i> | <i>Description</i> | <i>Ref.</i> | <i>Part Number</i> | <i>Qty.</i> | <i>Description</i> |
|-------------|--------------------|-------------|----------------------|-------------|--------------------|-------------|-----------------------|
| 1 | 46-8091 | 3 | Screw-HWH | 8 | 120-7043 | 1 | Arm-Spring |
| 2 | 120-9535 | 1 | Grip-Lever | 9 | 125-2510 | 2 | 8 Inch Wheel ASM |
| 3 | 119-4042 | 2 | Nut-HF, NI | 10 | 147-0518 | 1 | Front Cover ASM |
| 4 | 147-0519 | 2 | Bushing-Pivot, Front | 10:2 | 147-0516 | 1 | Decal-Cover, Front |
| 4:1 | 15-4318 | 1 | Resin-Nylon 66 | 11 | 700057 | 1 | Screw-HWH |
| 5 | 139-1753 | 1 | Front Axle ASM | 12 | 3230-23 | 6 | Bolt-CARR |
| 6 | 120-7037-03 | 1 | Plate-HOC, LH | 13 | 3296-29 | 6 | Nut-Lock, NI |
| 7 | 120-7038-03 | 1 | Plate-HOC, RH | 14 | 130-6658 | 4 | Screw-Flange, Plastic |

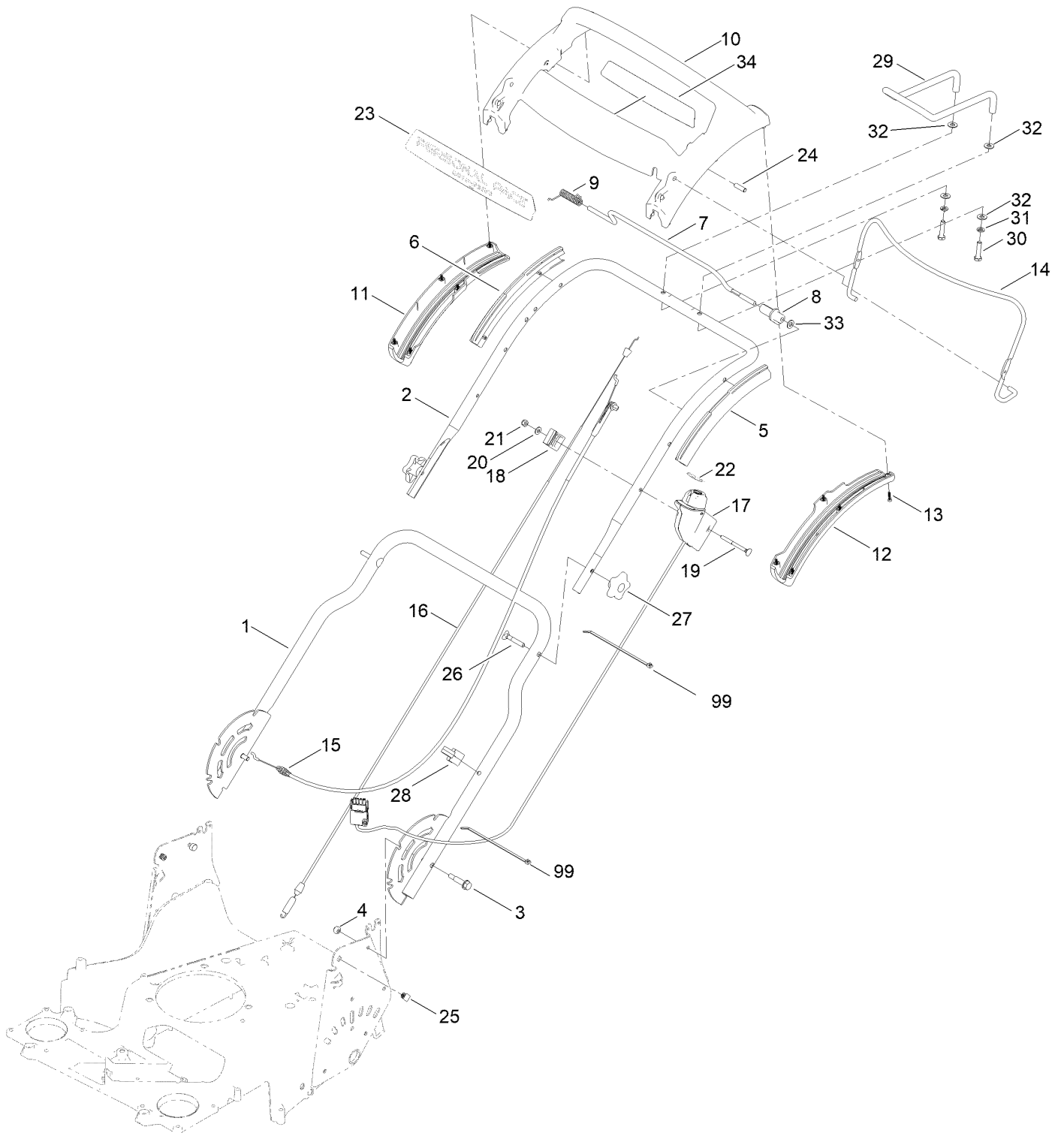
Rear Wheel and Height-of-Cut Assembly



Rear Wheel and Height-of-Cut Assembly (continued)

| <i>Ref.</i> | <i>Part Number</i> | <i>Qty.</i> | <i>Description</i> | <i>Ref.</i> | <i>Part Number</i> | <i>Qty.</i> | <i>Description</i> |
|-------------|--------------------|-------------|-------------------------|-------------|--------------------|-------------|------------------------|
| 1 | 137-4796 | 1 | Grip-Lever, Lift | 15:3 | 32151-61 | 1 | Ring-Retaining |
| 2 | 121-5799 | 1 | Conduit-Convoluted | 16 | 147-0404 | 2 | Cover-Gear |
| 3 | 49-2040 | 2 | Screw-HWHTF | 17 | 147-0401 | 1 | Rear Axle ASM |
| 4 | 119-4042 | 2 | Nut-HF, NI | 18 | 125-2509 | 2 | 10 Inch Wheel Gear ASM |
| 5 | 104-8699 | 1 | Bearing-Ball | 19 | 138-3233 | 1 | Mount-Bearing |
| 6 | 106-5681 | 1 | Pin-Stop | 20 | 120-7026 | 1 | Spring-Extension |
| 7 | 133-2603 | 2 | Bearing-Ball | 21 | 120-7027 | 1 | Spring-Extension |
| 8 | 110-7191 | 2 | Washer-Thrust | 22 | 121-5800 | 2 | Conduit-Convoluted |
| 9 | 131-5399 | 2 | Gear-Pinion, 15T | 23 | 701243 | 8 | Screw-Thd Roll, HWH |
| 10 | 120-3342-03 | 1 | Plate-HOC, LH | 24 | 32144-4 | 1 | Screw-HWH |
| 11 | 120-3343-03 | 1 | Plate-HOC, RH | 25 | 32151-61 | 1 | Ring-Retaining |
| 12 | 137-9124 | 1 | Arm-Spring | 26 | 36-4780 | 2 | Washer-Plain |
| 13 | 120-5209 | 1 | Key-Arm, Spring | 27 | 138-5338 | 1 | Bracket-Stop |
| 14 | 136-5929 | 2 | Retainer-Bearing | 28 | 3296-47 | 1 | Nut-Lock,NI |
| 15 | 131-9665 | 1 | Transmission Kit | 29 | 125-2497 | 1 | Decal-HOC, Rear |
| 15:1:1 | 130-2370 | 1 | Transmission Pulley Kit | 30 | 130-2369 | 2 | Pin-Snap |
| 15:2 | 130-2369 | 2 | Pin-Snap | | | | |

Handle Assembly



Handle Assembly (continued)

| <i>Ref.</i> | <i>Part Number</i> | <i>Qty.</i> | <i>Description</i> | <i>Ref.</i> | <i>Part Number</i> | <i>Qty.</i> | <i>Description</i> |
|-------------|--------------------|-------------|---------------------------------|-------------|--------------------|-------------|-----------------------------|
| 1 | 145-4021-05 | 1 | Handle-Lower, ASM | 18 | 140-4128 | 1 | Clamp-Cable |
| 2 | 145-4004-05 | 1 | Handle-Upper | 19 | 92-2267 | 1 | Screw-Handle |
| 3 | 139-1694 | 1 | Bolt-Shoulder, HHF | 20 | 139-1699 | 1 | Washer-Flat |
| 4 | 119-4038 | 2 | Nut-Hex | 21 | 137-3094 | 1 | Nut-Hex |
| 5 | 140-2367 | 1 | Guide-Curved, LH (Rwd) | 22 | 145-4009 | 1 | Decal-Controls |
| 6 | 140-2366 | 1 | Guide-Curved, RH (Rwd) | 23 | 145-5601 | 1 | Decal-Handle, Pp |
| 7 | 139-5464 | 1 | Rod-Control, Traction | 24 | 139-6577 | 1 | Pin-Handle, Pp |
| 8 | 139-6554 | 1 | Lever-Traction, Rwd | 25 | 132-4516 | 2 | Plug-Square |
| 9 | 140-4194 | 1 | Spring-Torsion | 26 | 137-3107 | 2 | Screw-Handle |
| 10 | 139-6569 | 1 | Handle-Personal Pace, Curved | 27 | 117-5976 | 2 | Knob-Handle |
| 11 | 139-6567 | 1 | Bottom-Handle, RH | 28 | 114-7988 | 1 | Guide-Cable |
| 12 | 139-6568 | 1 | Bottom-Handle, LH | 29 | 144-0249 | 1 | Handle-Assist, Steel |
| 13 | 94-4496 | 10 | Screw-PPH | 30 | 137-3051 | 2 | Screw-HH |
| 14 | 145-5879-03 | 1 | Bail-Brake | 31 | 136-8682 | 2 | Washer-Lock |
| 15 | 139-6594 | 1 | Cable-Brake, Pp B&s | 32 | 107-0279 | 4 | Washer |
| 16 | 145-4007 | 1 | Cable-Traction | 33 | 120-9683 | 1 | Washer-Plain |
| 17 | 144-3179 | 1 | Starter Switch ASM | 34 | 140-1324 | 1 | Decal-Controls (60V, Start) |
| | | | | 99 | 614249 | 2 | Tie-Cable |

Attachments and Accessories

For 21491 eTimeMaster 30in 60V Lawn Mower

| Product Name | Model/Part |
|-----------------------------------------|-------------------|
| Hi-Lift Repl Blade Kit Replacement..... | 20122P |
| 60V Battery Charger 2 AMP | 88602 |
| 60V LI-ION Battery 2.5 AH..... | 88625 |
| 60V LI-ION, Battery 4.0 AH | 88640 |
| 60V LI-ION Battery 6.0 AH..... | 88660 |
| 60V LI-ION Battery 7.5 AH..... | 88675 |
| 60V Rapid Battery Charger 5.4 AMP | 88605 |
| 60V LI-ION Battery 10.0 AH | 66810 |
| 60V Brushless Blower (Bare Tool) | 51825T |
| 60V Brushless Trimmer (Bare Tool)..... | 51835T |
| Traction Assist Handle Kit..... | 144-6377 |

Notes:



Count on it.