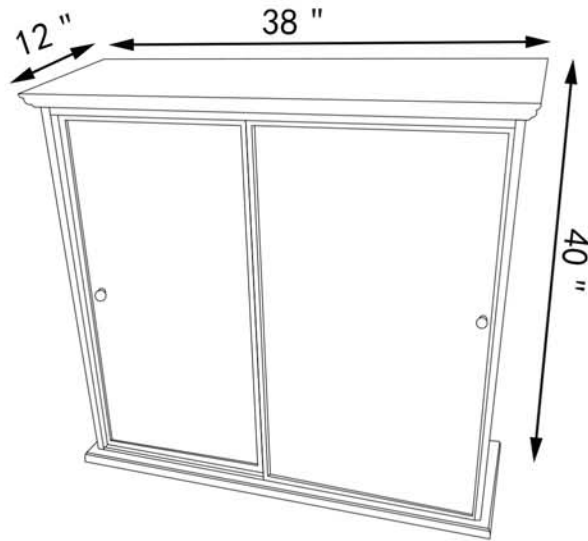




WWW.4DCONCEPTSUSA.COM



4D CONCEPTS BARTON SLIDING STORAGE CABINET MODEL:220328

NEED ASSISTANCE ?

Call 4D CONCEPTS directly or go to www.4dconceptsusa.com for parts or assembly assistance. Individual stores do not stock parts

Call our Toll-free number 5 days a week except holidays:

Monday through Friday 8.00am to 5.00pm

Pacific Standard Time

1-888-310-4DCO or 1-888-310 4326

IMPORTANT: Before calling please have the model number and the packing code number ready for our customer service representatives.

You will find the model number printed on the carton label and the packing code printed in black ink on the side of the carton.

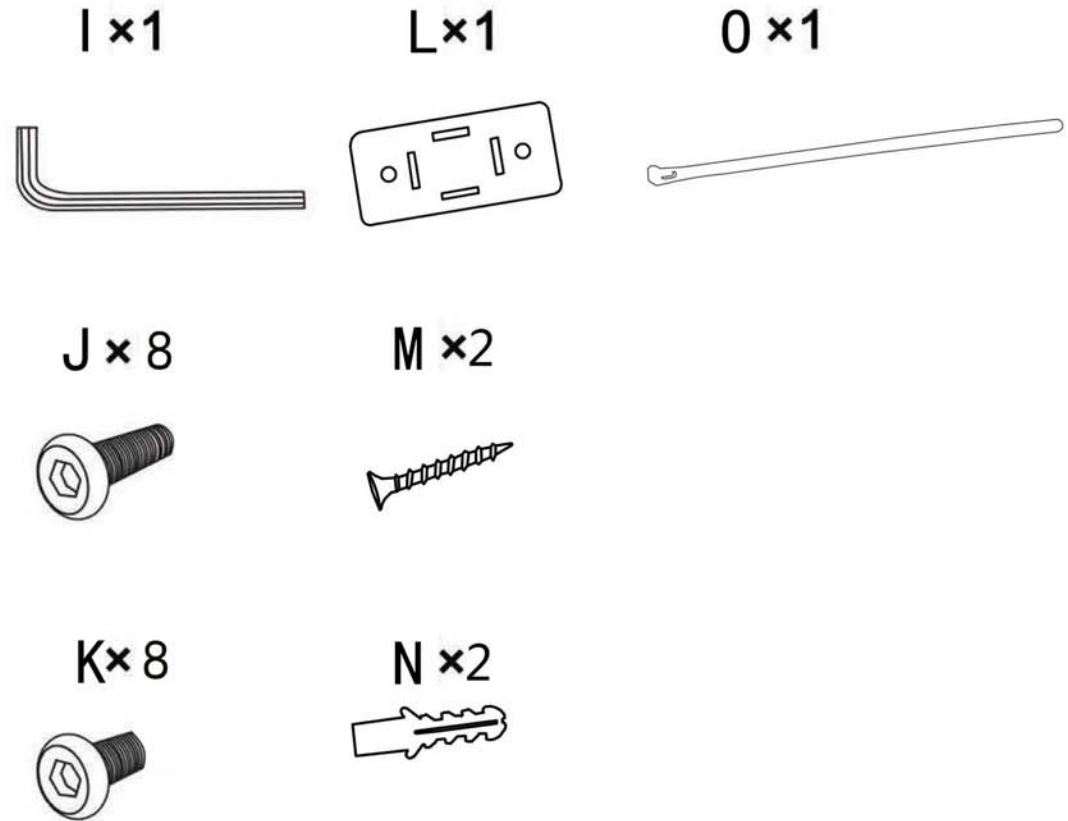
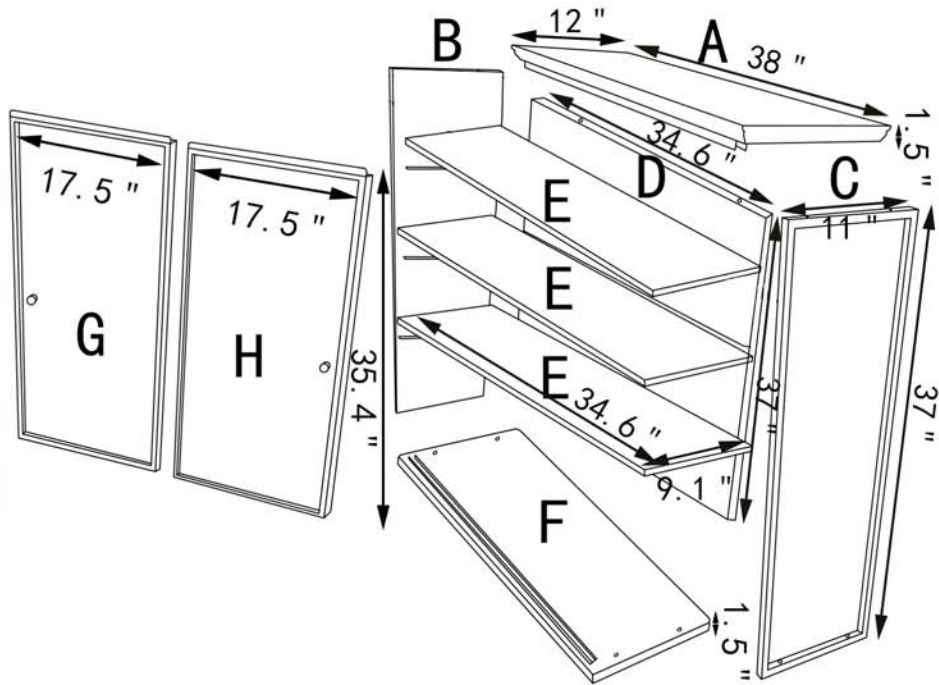
Model 220328 Packing code

It is important that you retain the model number and the packing code along with the original receipt of purchase for future reference.

Made in China

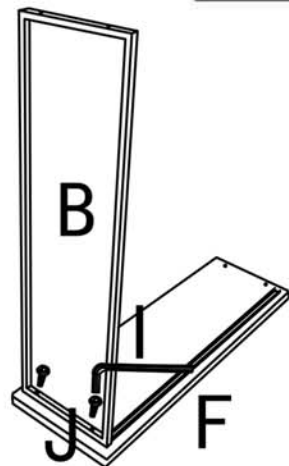
220328 ASSEMBLY INSTRUCTION

NOTE: DON'T TIGHTEN THE SCREWS COMPLETELY, UNTIL UNIT IS ASSEMBLED.



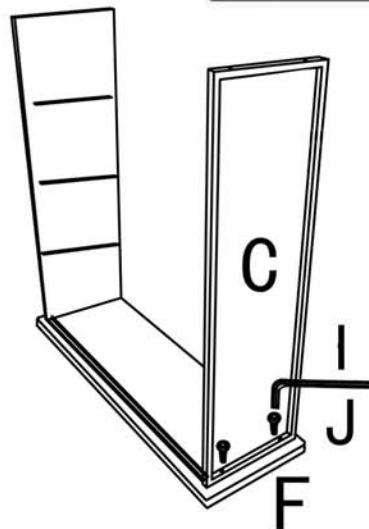
STEP 1

1×1 J×2



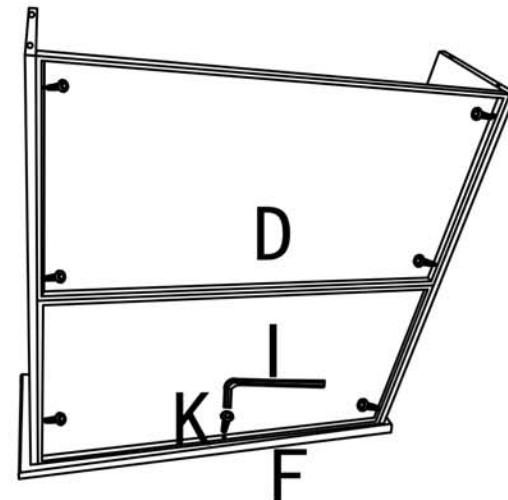
STEP 2

1×1 J×2



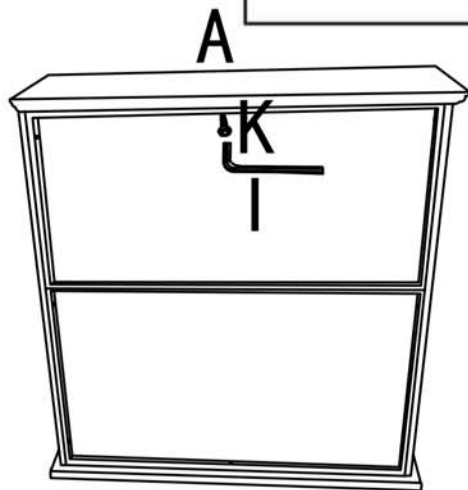
STEP 3

1×1 K×7



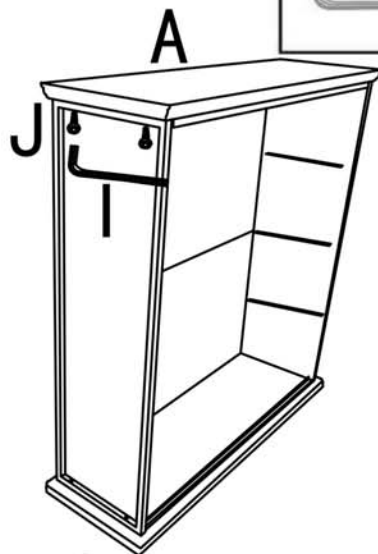
STEP 4

1×1 K×1



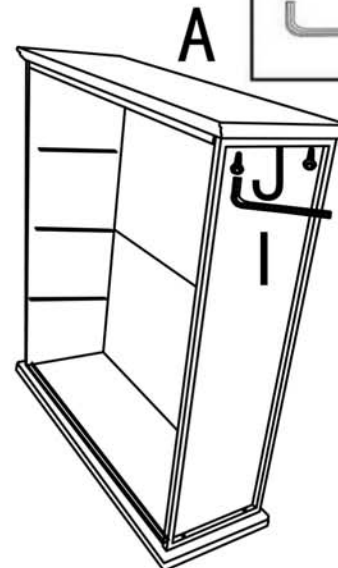
STEP 5

1×1 J×2

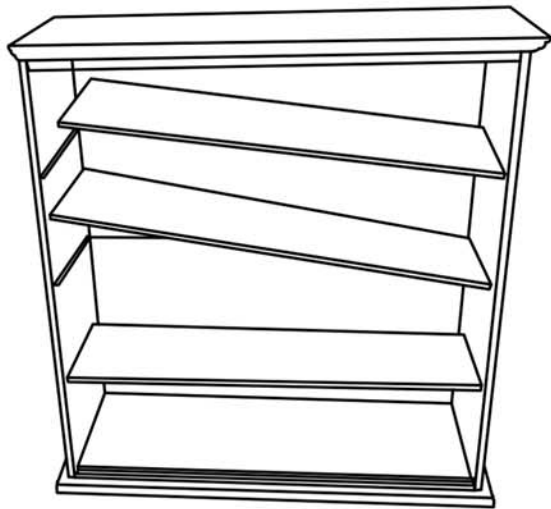


STEP 6

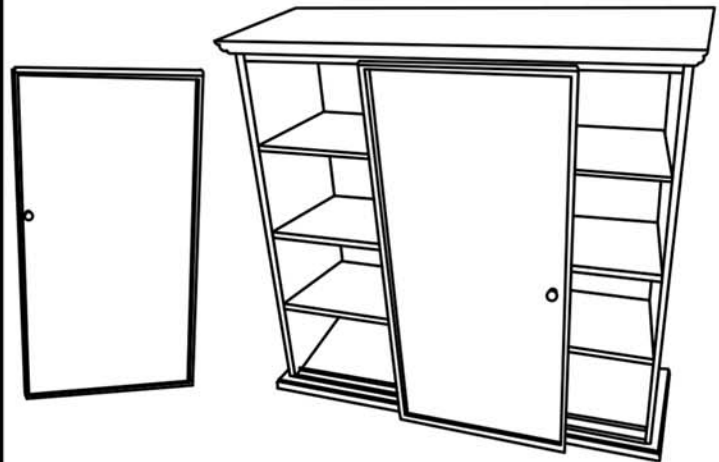
1×1 J×2



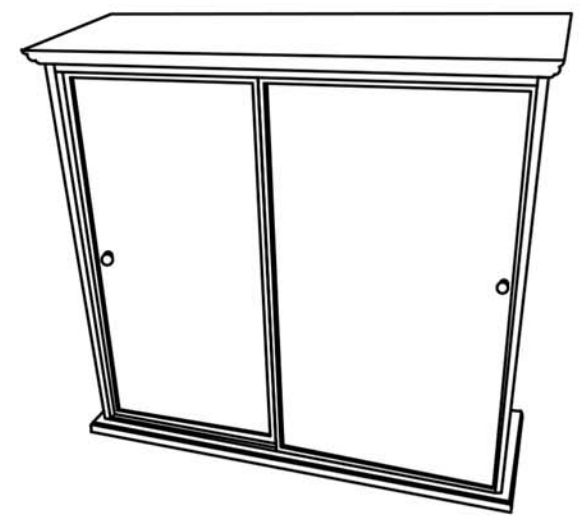
STEP 7



STEP 8



STEP 9



STEP 10

