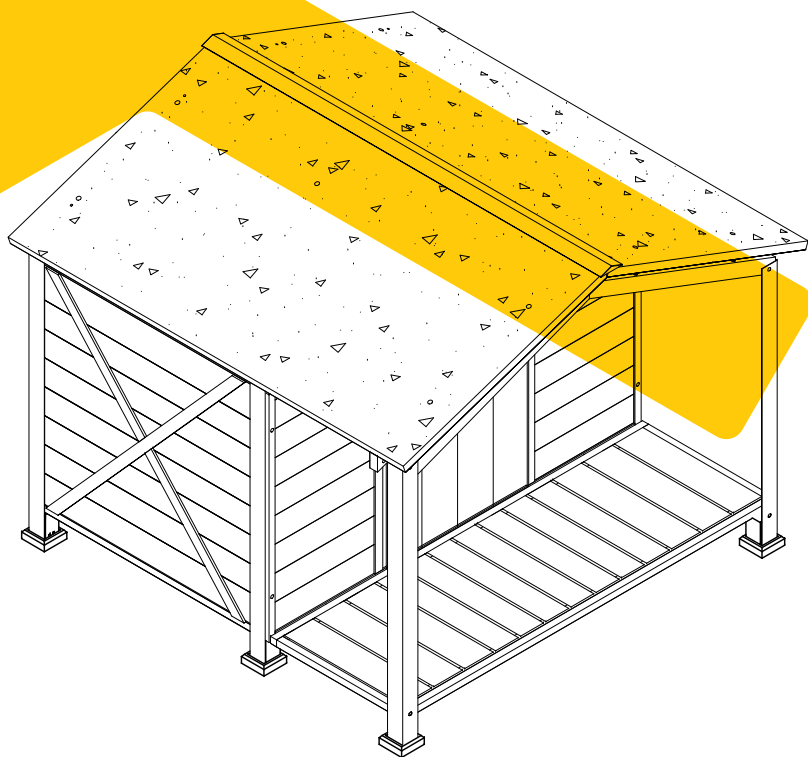


INSTRUCTION MANUAL

AIR 88

AIR 89





NOTICE

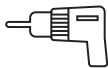
Please retain these instructions for future reference.

- Firmly secure all bolts,screws and knobs before use.
- Reconfirm that all bolts,screws,and knobs are secure every 90 days.
- Fasten screws loosely during initial assembly. Do not fully tighten screws until the item is completely assembled.
- Do not use or store this item in the proximity of open flame or flammable/combustible chemicals.
- Be aware that some parts are heavy and have sharp edges.
- Be aware that moving parts can injure,crush and cut.
- If any parts are missing,broken,damaged,or worn,stop using this product until repairs are made and/or factory replacement parts are installed.
- Do not use this item in a way inconsistent with the manufacturer's instructions as this could void the product warranty.

TOOLS REQUIRED //



PHILLIPS
SCREWDRIVER



DRILL
(RECOMMENDED)



2PERSON
ASSEMBLY



APPROXIMATELY
30MIN. ASSEMBLY

HARDWARE //

M6.0x30mm BOLT
2PCS



P1

M6.0x30mm SCREW
10PCS



P2

M6.0x14mm SCREW
2PCS



P3

M3.5x50mm SCREW
2PCS+1spare



P4

M3.5x35mm SCREW
12PCS+1spare



P5

M3.5x40mm SCREW
4PCS+1spare



P6

M3.0x35mm SCREW
12PCS+1spare



P7

M3.0x18mm SCREW
8PCS+1spare



P8

PARTS //

Left side metal bar- house
2PCS



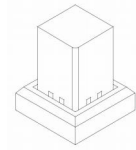
A

Right side metal bar-house
2PCS



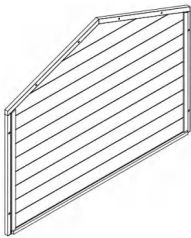
B

Plastic feet
6PCS



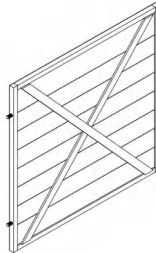
C

Back panel
1PC



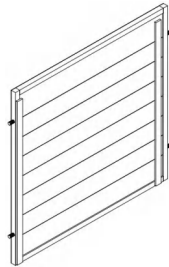
D

Left panel
1PC



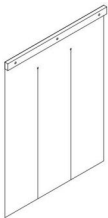
E

Right panel
1PC



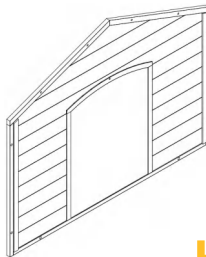
F

PVC curtain
1PC



G

Front panel
1PC



H

Left side metal bar-
balcony
1PC



I

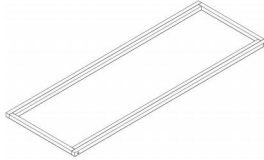
PARTS //

Right side metal bar-
balcony
1PC



J

Bottom frame - balcony
1PC



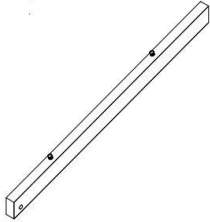
K

Left side metal bar- roof of
balcony
1PC



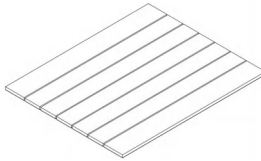
L

Right side metal bar- roof
of balcony
1PC



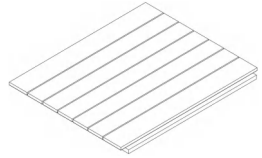
M

Left side bottom panel -
house
1PC



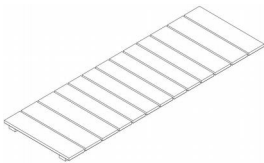
N

Right side bottom - house
1PC



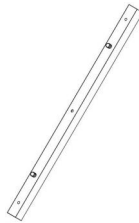
O

Bottom - balcony
1PC



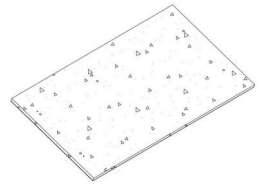
P

Roof supporter
4PCS



Q

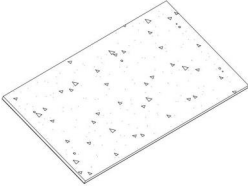
Left side roof
1PC



R

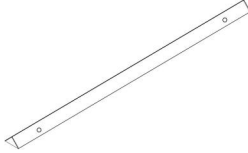
PARTS //

Right side roof
1PC



S

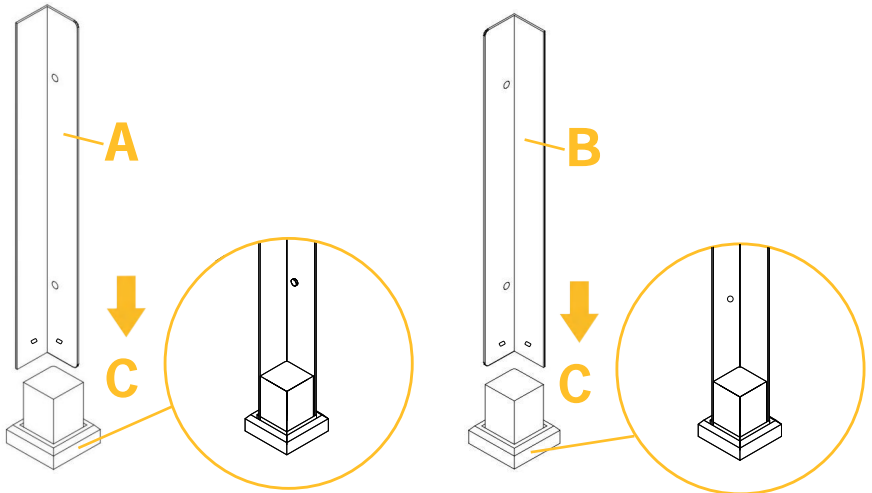
Roof cap
1PC



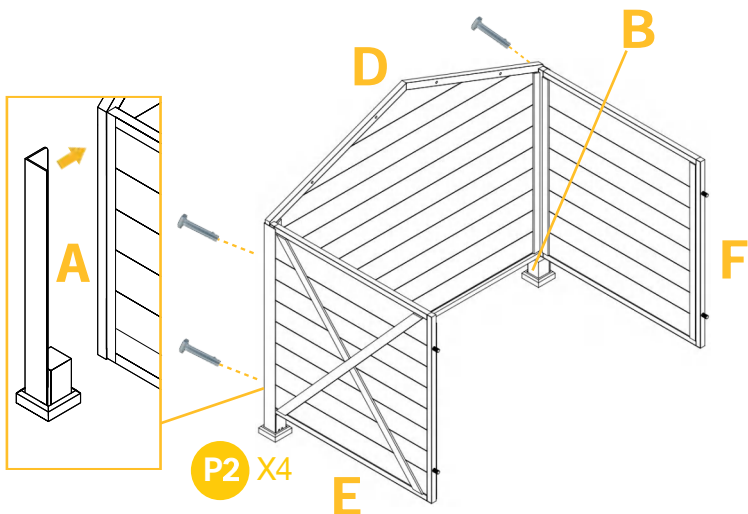
T

PRODUCT ASSEMBLY //

- 01** Attach metal bars Part A and B into the slot of Part C.
(Repeat the same way for second leg Part A & B)

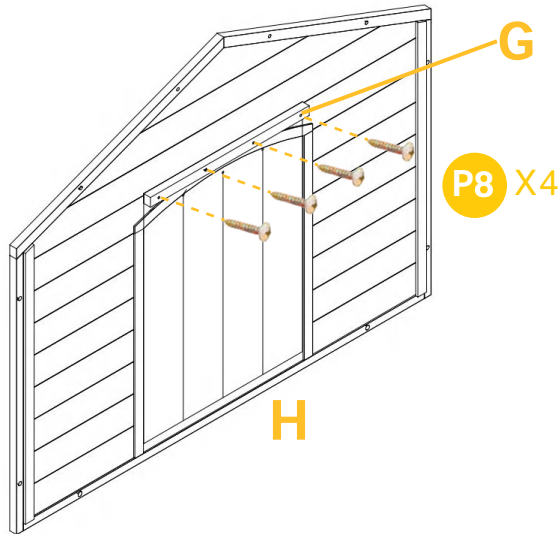


- 02** Attach the back panel Part D to the side panels Part E and F with the metal bars Part A & B by 4xP2 screws.

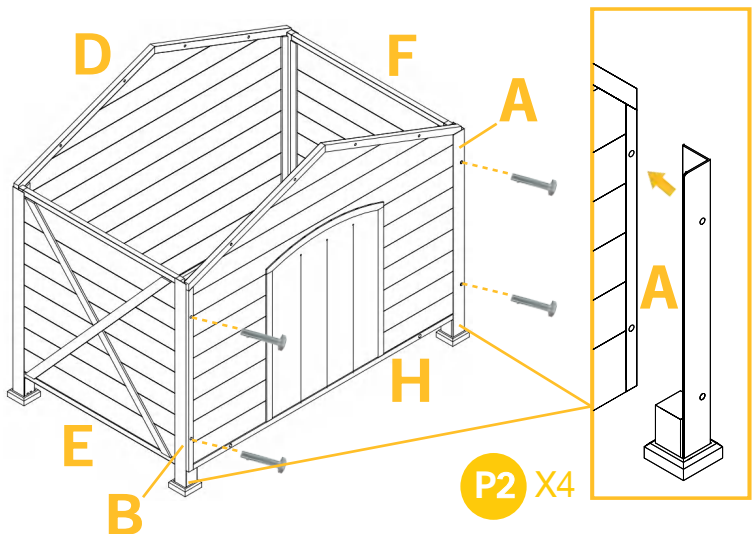


PRODUCT ASSEMBLY //

03 Screw the curtain Part G to the INSIDE of Part H by 4xP8 screws.

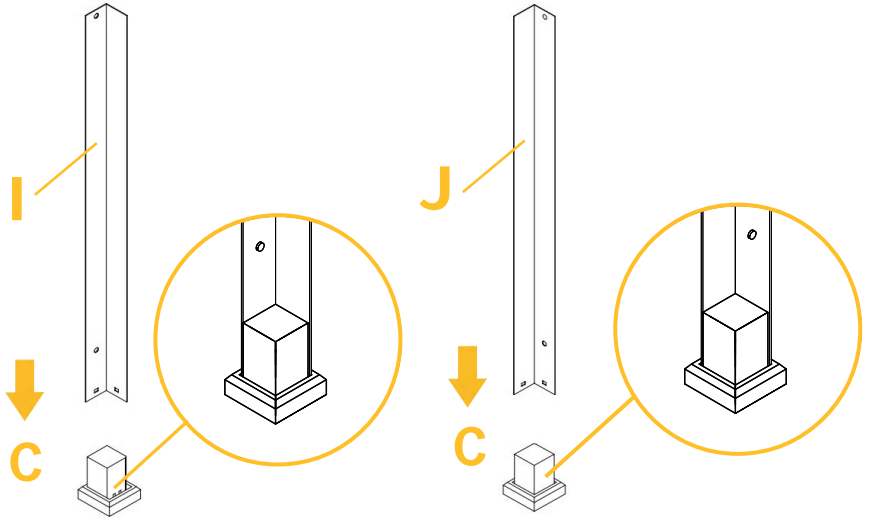


04 Attach the Part H with the metal bars Part A and B by 4xP2 screws.

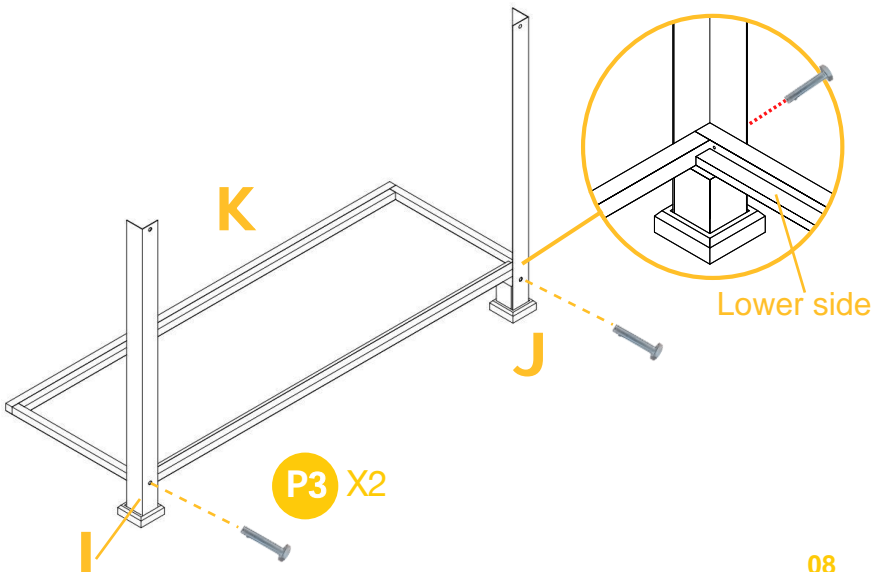


PRODUCT ASSEMBLY //

05 Attach metal bars Part I and J into the slot of Part C.

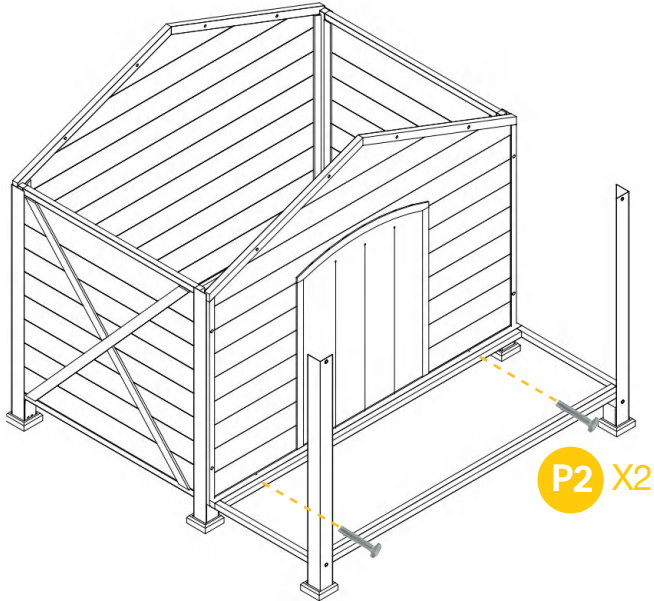


06 Attach the metal bars Part I and J to the bottom frame Part K.
(Note that the lower side inside the Part K is connected to the metal bar.)

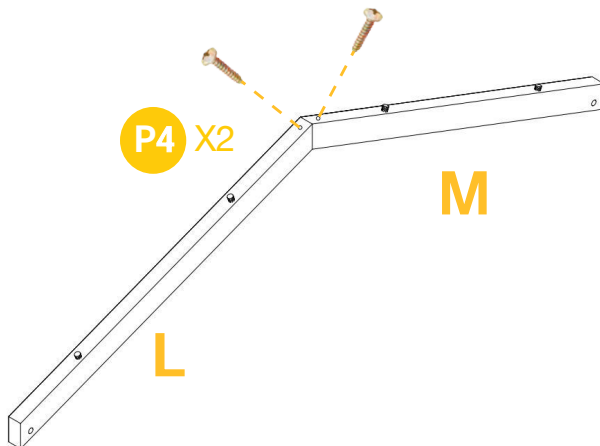


PRODUCT ASSEMBLY //

07 Attach the frame to the house by 2XP2 screws.

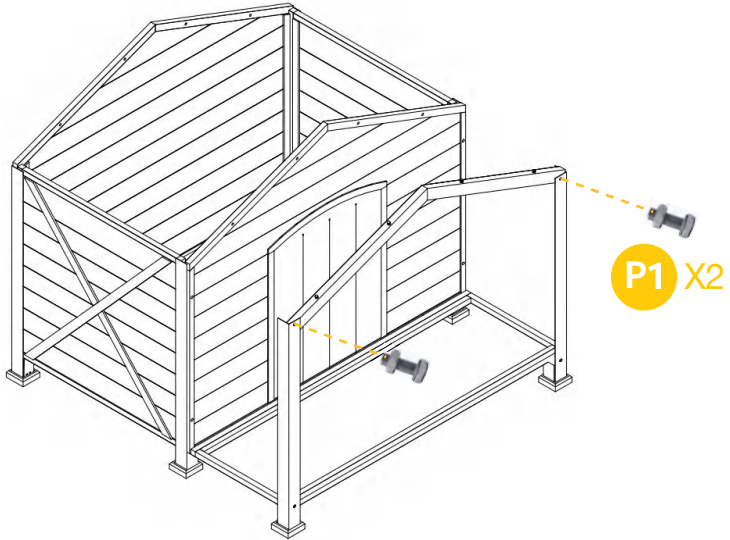


08 Connect Part L and M by 2XP4 screws.

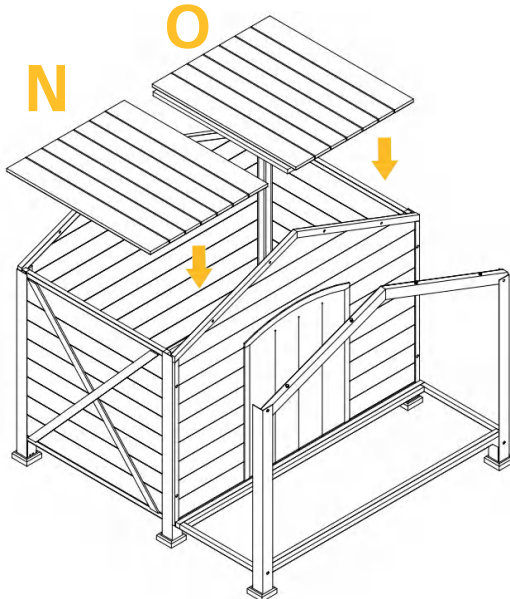


PRODUCT ASSEMBLY //

09 Attach Part L and M to metal bars by 2XP1.

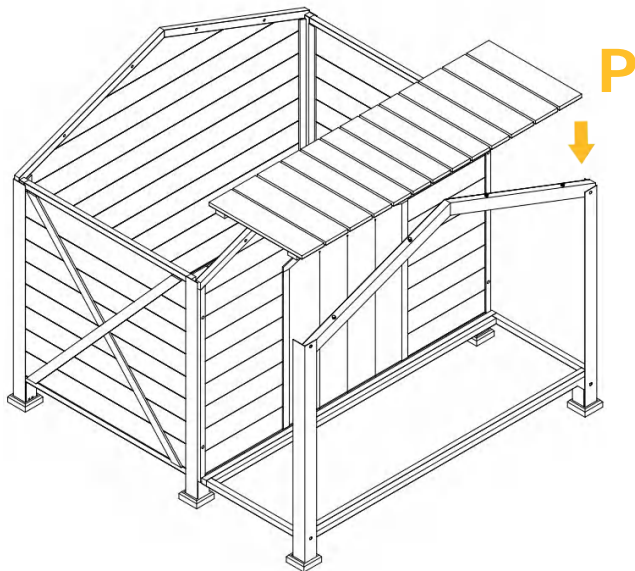


10 Put down the bottom floor Part N & O.

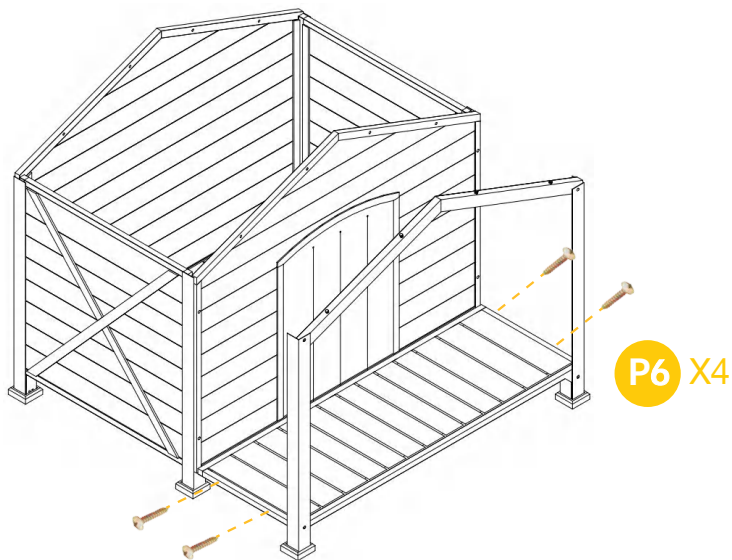


PRODUCT ASSEMBLY //

11 Put down the bottom floor Part P.

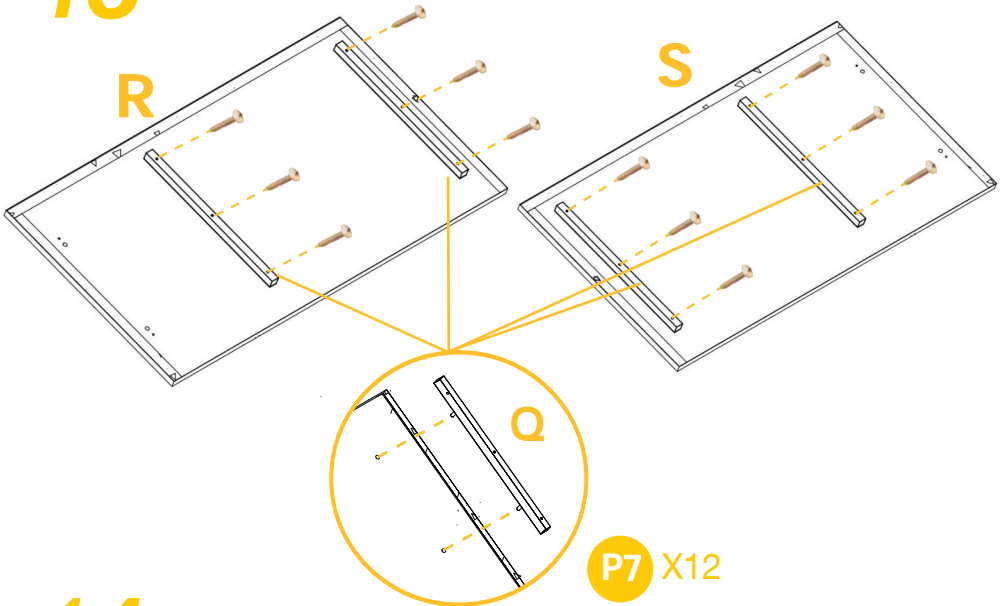


12 Fix the bottom floor by 4XP6 screws.

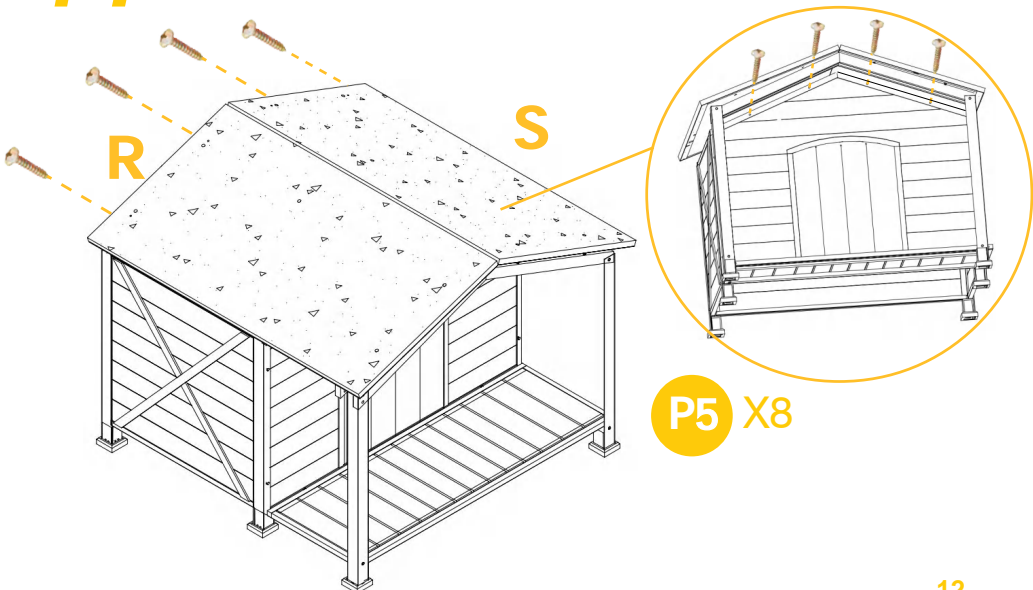


PRODUCT ASSEMBLY

13 Attach Part Q to the inside of roof Part R and S by 12XP7.



14 Attach the roof Part R and S to the house by 8xP5 screws.

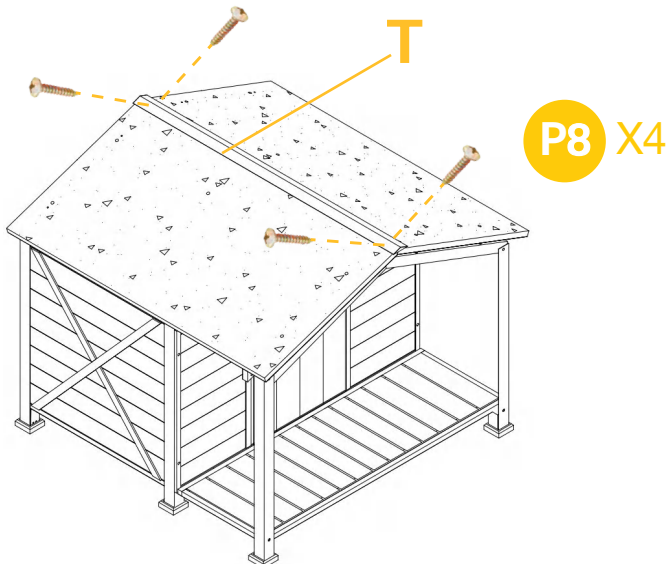


PRODUCT ASSEMBLY //

15 Fix the roof by 4XP5 screws.



16 Attach the roof cap Part T by 4XP8 screws.



Finish



WARNING

Manufacturer and seller expressly disclaim any and all liability for personal injury, property damage or loss, whether direct, indirect, or incidental, resulting from the incorrect attachment, improper use, inadequate maintenance, or neglect of this product.