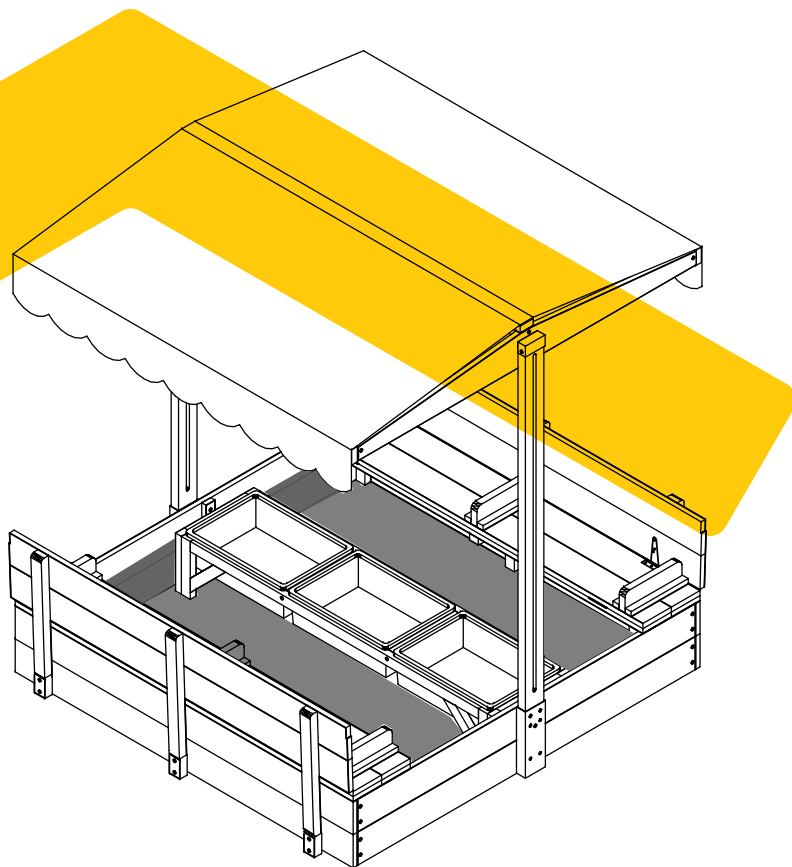


INSTRUCTION MANUAL

GUT 08





NOTICE

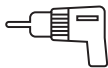
Please retain these instructions for future reference.

- Firmly secure all bolts,screws and knobs before use.
- Reconfirm that all bolts,screws,and knobs are secure every 90 days.
- Fasten screws loosely during initial assembly. Do not fully tighten screws until the item is completely assembled.
- Do not use or store this item in the proximity of open flame or flammable/combustible chemicals.
- Be aware that some parts are heavy and have sharp edges.
- Be aware that moving parts can injure,crush and cut.
- If any parts are missing,broken,damaged,or worn,stop using this product until repairs are made and/or factory replacement parts are installed.
- Do not use this item in a way inconsistent with the manufacturer' s instructions as this could void the product warranty.

TOOLS REQUIRED //



PHILLIPS
SCREWDRIVER



DRILL
(RECOMMENDED)



2PERSON
ASSEMBLY



APPROXIMATELY
45MIN. ASSEMBLY

HARDWARE //

M8.0x50mm KNOBS
2PCS



P1

M6.0x40mm SCREW
8PCS



P2

M3.5x35mm SCREW
64PCS+1 spare



P3

M3.5x25mm SCREW
14PCS+1 spare



P4

M3.0x16mm SCREW
24PCS+1 spare



P5

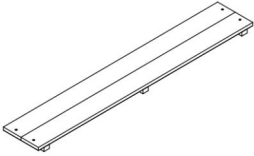
M3.5x45mm SCREW
8PCS+1 spare



P6

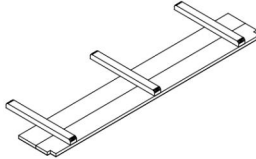
PARTS

Bench Frame
2PCS



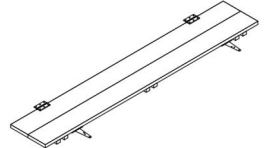
A

Backrest
2PCS



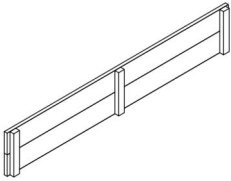
B

Bench Seat
2PCS



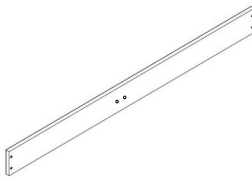
C

Side Frame
2PCS



D

Frame Panel
4PCS



E

Canopy Support
2PCS



F

Frame Support
2PCS



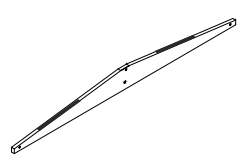
G

Rectangle Canopy Frame
3PCS



H

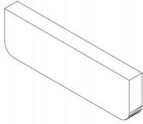
Triangle Canopy Frame
2PCS



I

PARTS

Seat Divider
6PCS



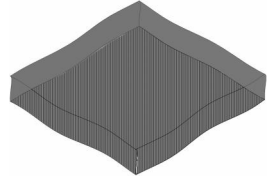
J

Stopper
6PCS



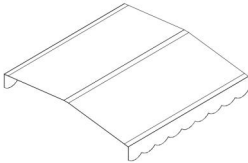
K

Sand Screen
1PC



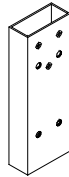
L

Canopy
1PC



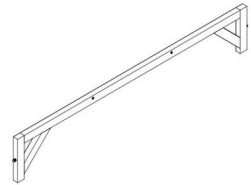
M

Metal Fixator
2PCS



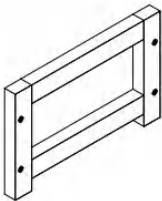
N

Frame for Storage Bins-
Long Side
2PCS



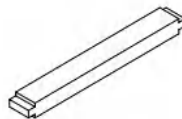
O

Frame for Storage Bins-
Short Side
2PCS



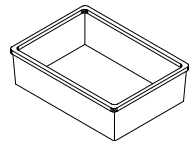
P

Divider for Storage Bins
2PCS



Q

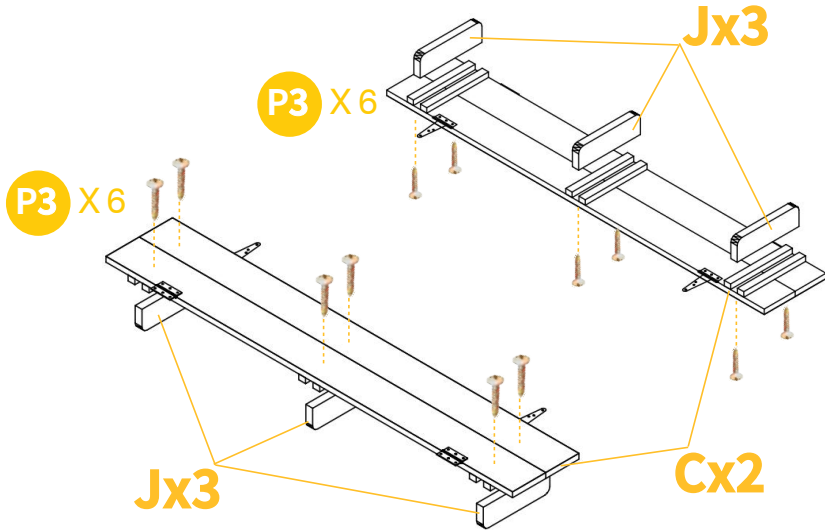
Storage Bins
3PCS



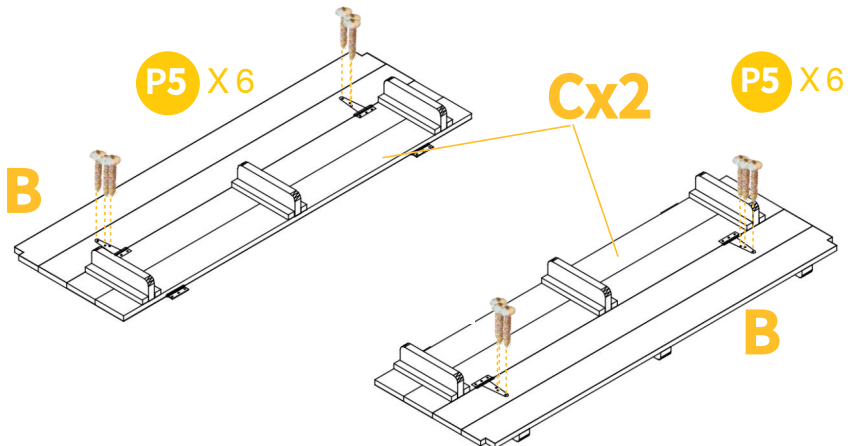
R

PRODUCT ASSEMBLY //

- 01** Attach three part J seat dividers to a part C bench seat with 6xP3 screws.
Repeat on other bench seat.

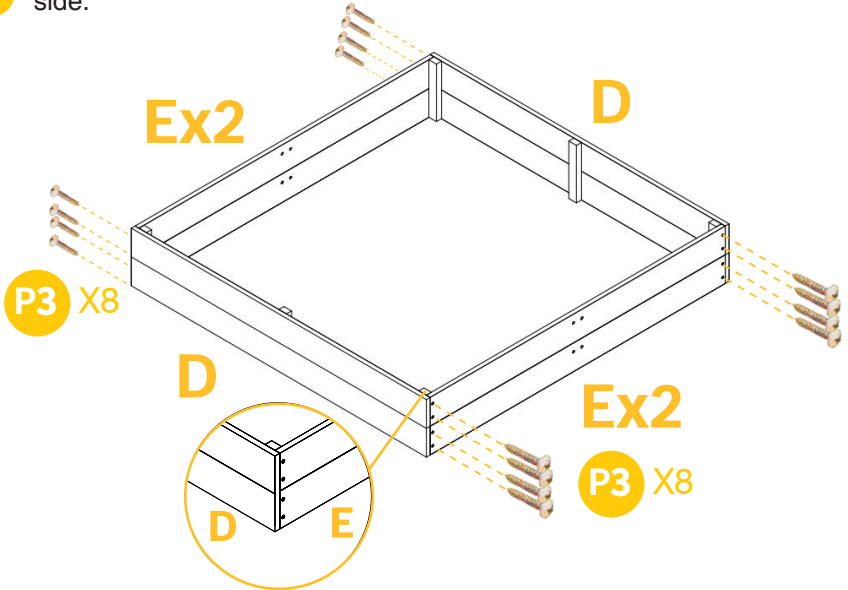


- 02** Attach a part B backrest to a part C bench with 6xP5 screws, three screws per hinge.
Repeat on other bench seat.

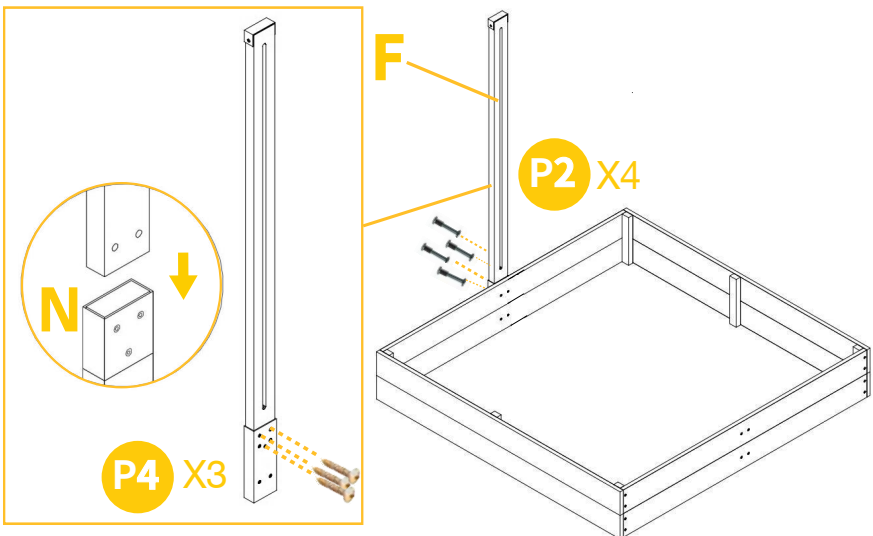


PRODUCT ASSEMBLY //

03 Attach part D and part E together by 8xP3 screws on each side.

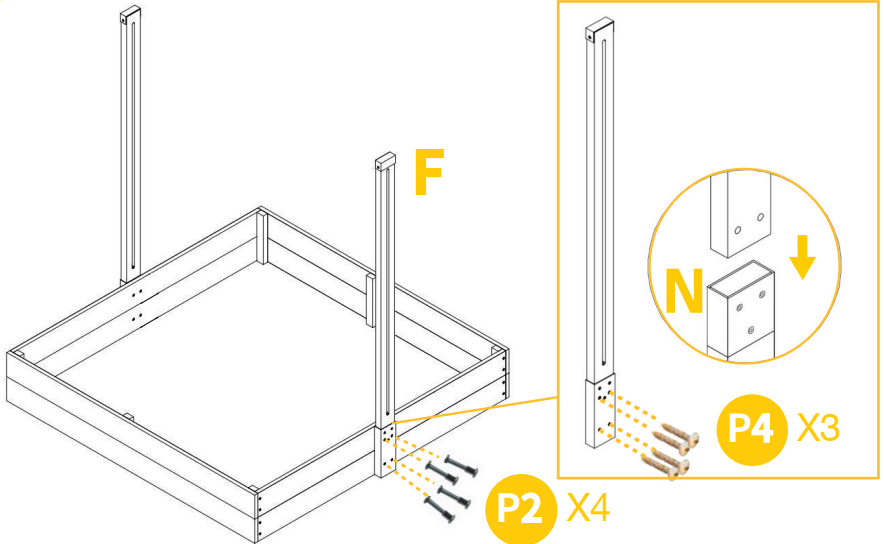


04 Insert Part F to Part N, then screw from outside by 3xP4. Screw part F to Part E by 4xP2 bolts.

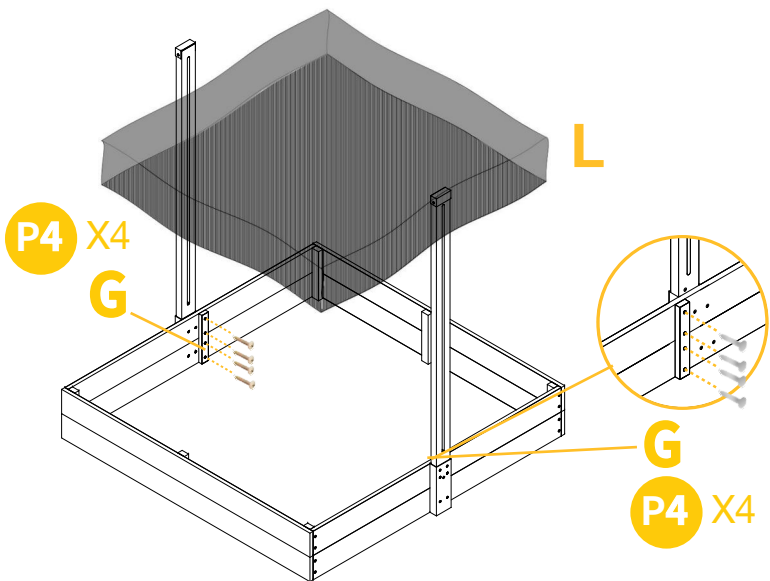


PRODUCT ASSEMBLY //

05 Repeat on other sandbox side.

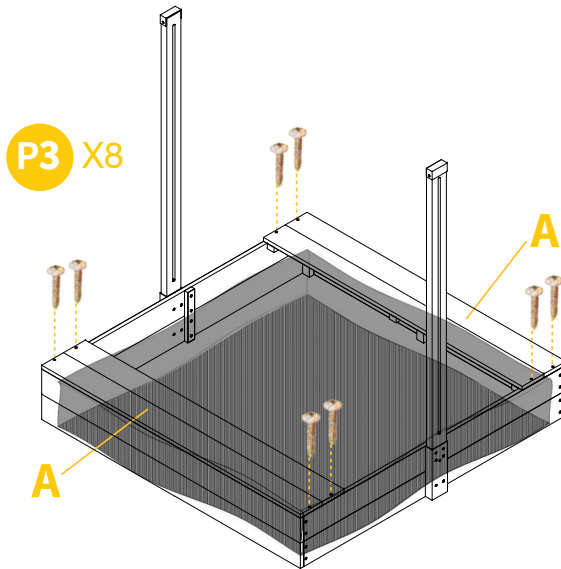


06 Screw Part G to Part E from inside by 4xP4 screws on each side. Put the sand screen inside of the sandbox.

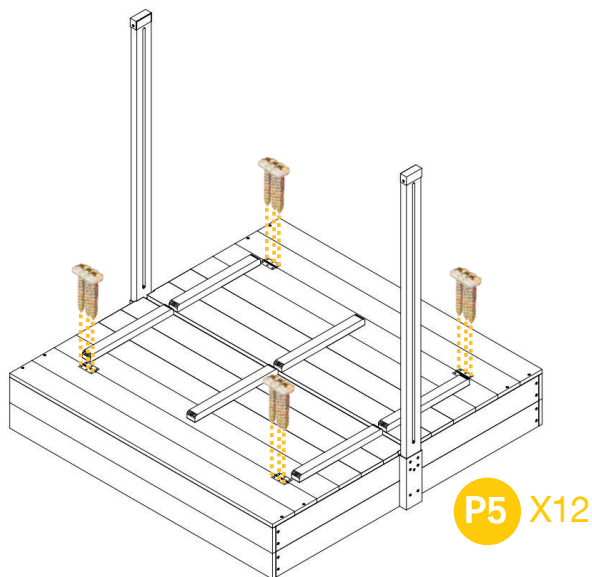


PRODUCT ASSEMBLY //

07 Attach two part A bench frames with 8xP3 screws.

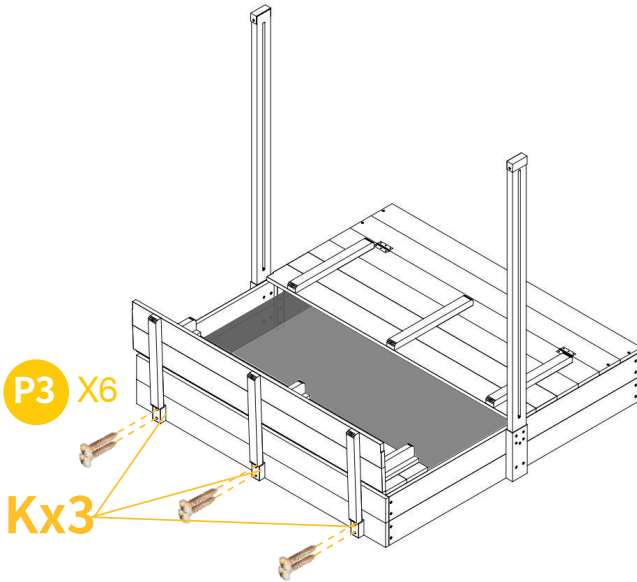


08 Attach two assembled benches with 12xP5 screws, three screws per hinge.

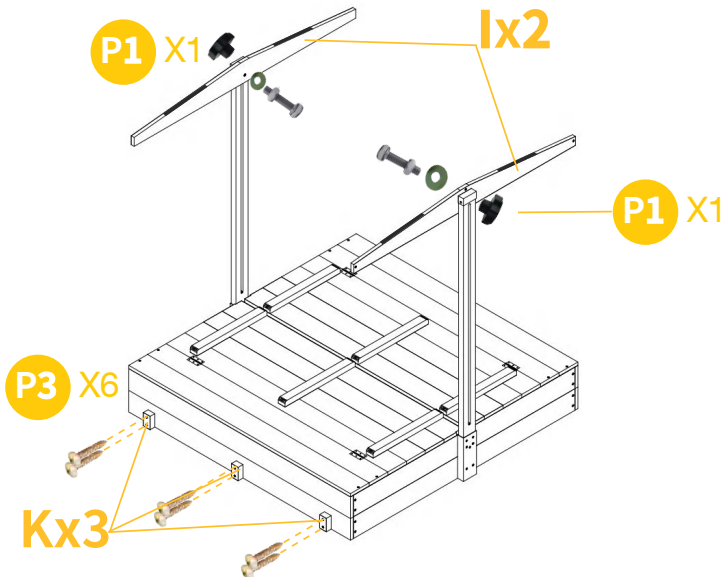


PRODUCT ASSEMBLY //

- 09** Attach three part K stopper with 6xP3 screws, two screws per stopper.

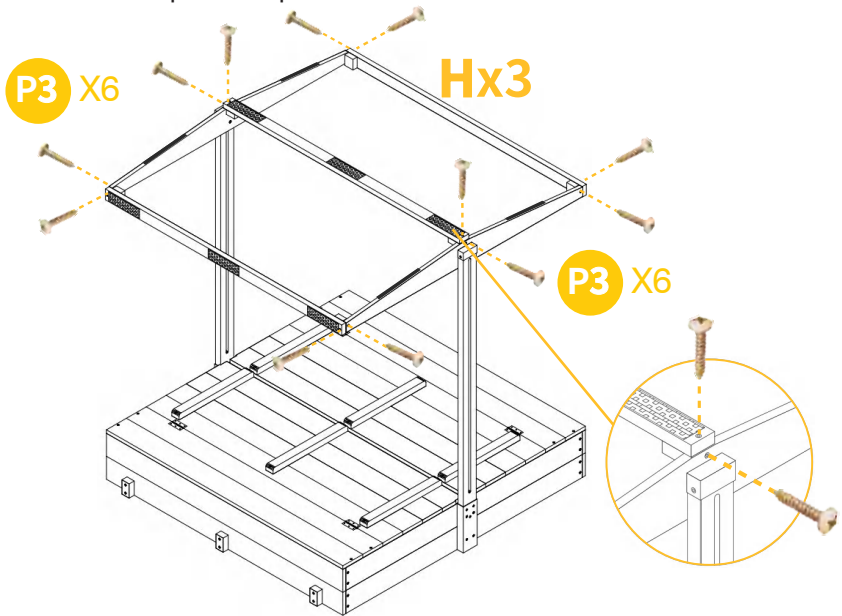


- 10** Repeat attach the part K on the other side.
Attach two part I to part F canopy support by 1xP1 each side.

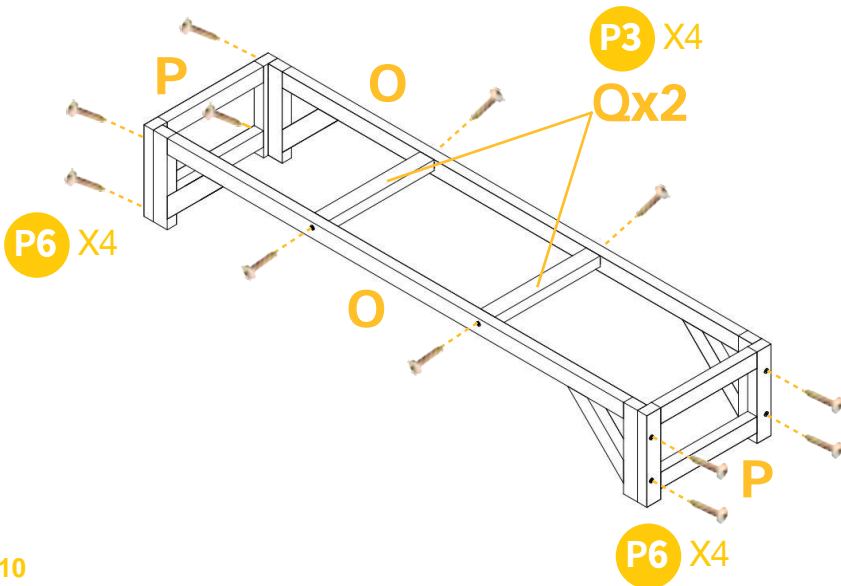


PRODUCT ASSEMBLY //

11 Attach three part H to part I with 12xP3 screws.

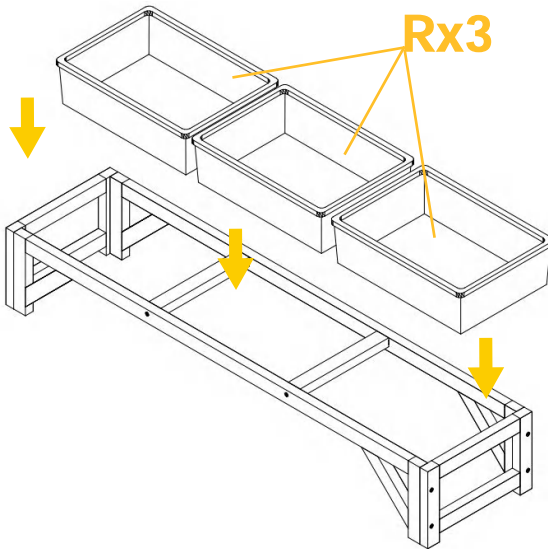


12 Screw Part Q to Part O by 4xP3, Then Screw Part P & O to complete the assemble of storage frame by 8xP6.

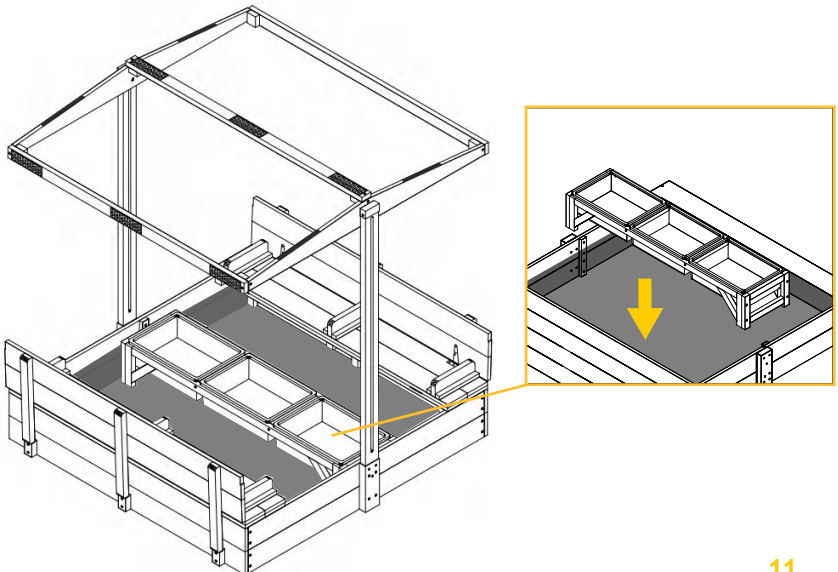


PRODUCT ASSEMBLY //

13 Put in the storage bins.

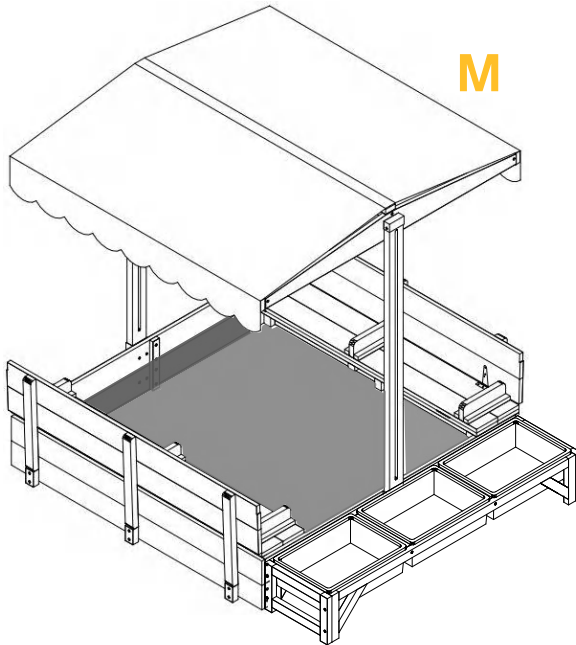


14 Put the storage bins in the sandbox.



PRODUCT ASSEMBLY //

- 15** Stick the canopy by the magic sticks.
P.S. The storage bins can put on the side of the sandbox too.





WARNING

Manufacturer and seller expressly disclaim any and all liability for personal injury, property damage or loss, whether direct, indirect, or incidental, resulting from the incorrect attachment, improper use, inadequate maintenance, or neglect of this product.