

# VINYL FENCE ADJUSTABLE GATE HARDWARE KIT

## Kit Contents

- 2 – Hinged Brackets
- 2 – Brackets
- 1 – Gate Latch
- Fasteners
- 1 – Allen Wrench
- 1 – Lock pin
- 1 – Pin removal tool

## Attaching the Brackets

Considering your swing direction, slide the self-closing hinged brackets and non-hinged brackets onto the gate jambs in the center of the top and bottom rails. Using the holes in the brackets as a guide, drill  $\frac{1}{4}$ " holes through the jamb and rail for the bolts. The bolts need to go through the jamb and rail to function properly. (fig 1)

Insert the bolts into the predrilled holes and loosely attach the nuts (these will be tightened later). Once all brackets are loosely fastened, measure gate from corner-to-corner to ensure gate is square. Adjust as necessary. When square, tighten all bolts with a  $\frac{7}{16}$ " wrench. Do not over-tighten as it may crush the gate jambs.

## Hanging the Gate

Align the rails on the gate with the rails on the existing fence. There must be at least a 2" gap from ground to bottom rail for the gate to function properly. Test swing direction before attaching brackets to post. (fig 2)

Secure the gate in place with blocks under the gate or clamp the jamb on the gate to the post. Adjust hinges to make sure the gate is level and square. To adjust hinges, move hex nuts in or out as needed and tighten with a wrench.

Attach hinged brackets to the hinge post with the provided screws. Remove the blocks and clamps. Readjust hinges as needed so gate is square and level with equal spacing between the gate and posts. (fig 2)

## Adjusting the Self-Closing Hinged Brackets

The self-closing hinged brackets are already set with standard tension. To adjust the tension, follow these steps:

- To remove tension, insert the Allen wrench into the hole on the top of the hinged bracket. Wind it counter-clockwise to bring the pre-tension hole back and remove the lock pin (fig 3). The gate will no longer be self-closing.
- To increase the tension, insert the Allen wrench into the hole on the top of the hinged bracket. Wind it counter-clockwise until you reach desired tension. Insert the lock pin into the small tension hole to set it and test the gate to ensure you like the setting (fig 3). Adjust as necessary.

## Fastening the Latch

Attach latch to post and striker to gate in the desired location using the screws provided. (fig. 4)

Note: The gate latch is designed to be used on the left or right hand side of the gate. The latch is assembled, ready to be installed on the right hand side of the gate. If you desire to switch the latch, follow these steps:

- Remove the 2 shoulder bolts and spring.
- Change orientation of the clicker.
- Re-attach spring and insert shoulder bolts.
- Shoulder bolts must be fully tightened.

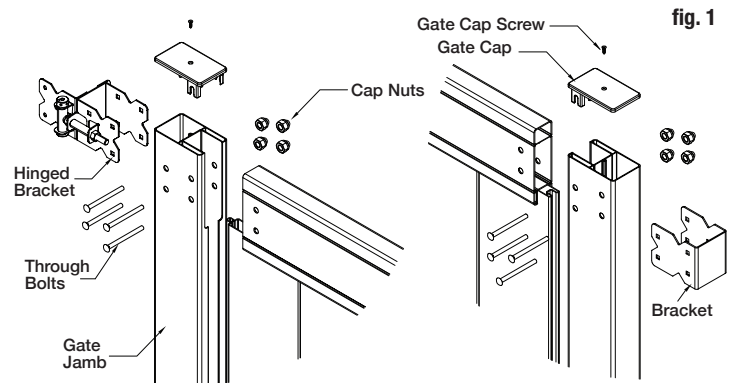


fig. 1

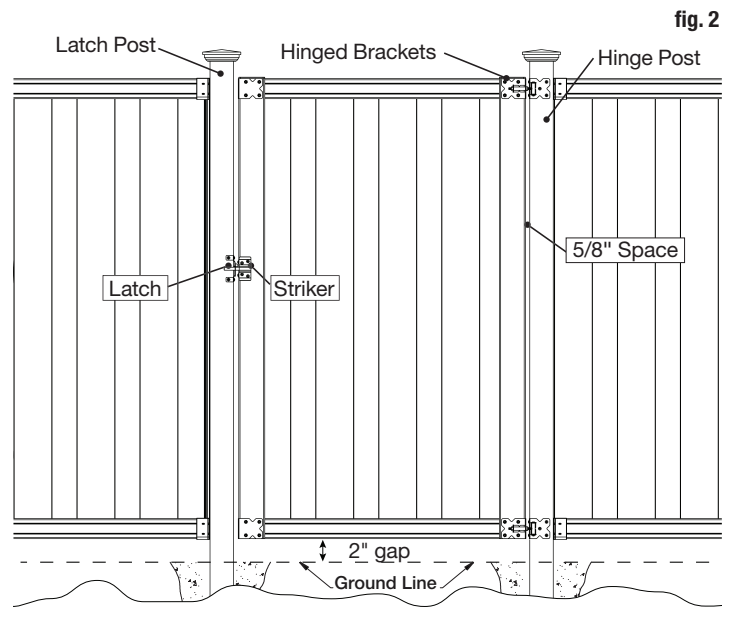


fig. 2

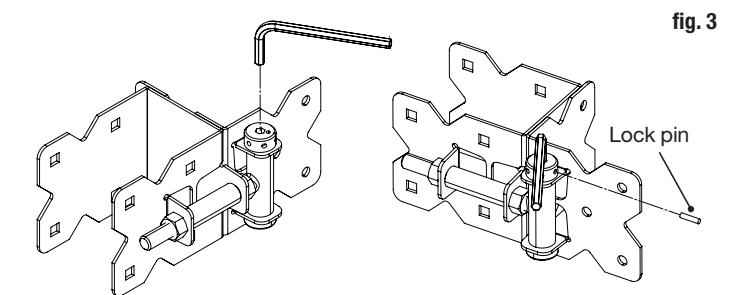


fig. 3

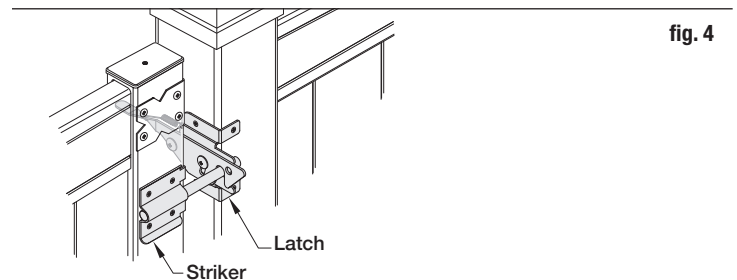


fig. 4

THE DIAGRAMS AND INSTRUCTIONS IN THIS BROCHURE ARE FOR ILLUSTRATION PURPOSES ONLY AND ARE NOT MEANT TO REPLACE A LICENSED PROFESSIONAL. ANY CONSTRUCTION OR USE OF THE PRODUCT MUST BE IN ACCORDANCE WITH ALL LOCAL ZONING AND/OR BUILDING CODES. THE CONSUMER ASSUMES ALL RISKS AND LIABILITY ASSOCIATED WITH THE CONSTRUCTION OR USE OF THIS PRODUCT. THE CONSUMER OR CONTRACTOR SHOULD TAKE ALL NECESSARY STEPS TO ENSURE THE SAFETY OF EVERYONE INVOLVED IN THE PROJECT, INCLUDING, BUT NOT LIMITED TO, WEARING THE APPROPRIATE SAFETY EQUIPMENT. EXCEPT AS CONTAINED IN THE WRITTEN LIMITED WARRANTY, THE WARRANTOR DOES NOT PROVIDE ANY OTHER WARRANTY, EITHER EXPRESS OR IMPLIED, AND SHALL NOT BE LIABLE FOR ANY DAMAGES, INCLUDING CONSEQUENTIAL DAMAGES.