

ULTRA PRESSURE BALANCE VALVE

▪ **Pressure Balance Valve and Rough Assembly UFP-PBV7**

STANDARD SPECIFICATIONS

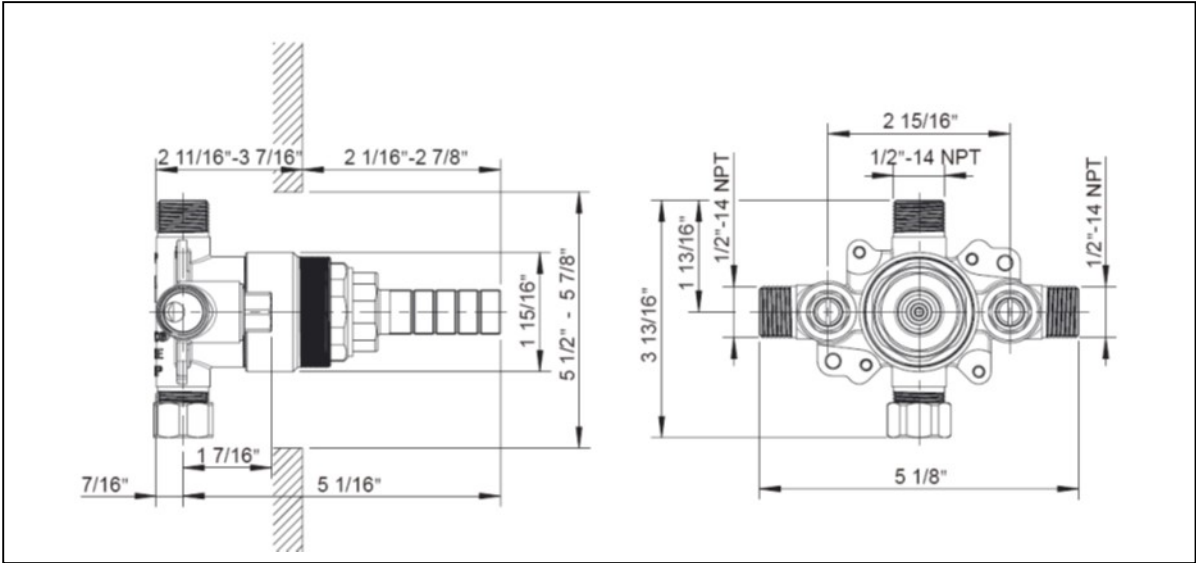
- Ceramic disc cartridge
- Forged brass valve body
- Built-in check valves
- Built-in stop valves
- 1/2" CC and IPS connections

WARRANTY

- Limited lifetime warranty on workmanship and materials to the original purchaser

COMPLIES WITH

- NSF 61-9
- ASME A112.18.1
- CSA B125.1
- cUPC



tel. 888-OK-ULTRA (658-5872) • fax. 949-252-9989 • <http://www.ultrafaucets.com>

This specification is provided for reference only. Ultra Faucets reserves the right to modify specifications and materials without notice or obligation.



Single Handle Pressure Balancing Tub/Shower with Stops UF7850*-1 Series

Features

- Metal lever handle
- with pressure balance valve
- with single-function shower head
- Metal shower arm
- with body stop valve

FLOW:

- Showerhead is limited to 1.8 gpm (6.8L/min) at 80 psi



Codes/Standards Applicable

- ANSI/ASME A112.18.1
- CSA B125-1
- UPC,cUPC Certification by IAPMO

Colors/Finishes

Code	Description
CP	Polished Chrome
BN	Brushed Nickel PVD
ORB	Oil Rubbed Bronze
MT	Matte Black
PB	Polished Brass
CS	Brushed Gold
RV	Rose PVD

