

Shower trim

- **Lotto Collection**
- **Single-Handle Shower Only Trim**

STANDARD SPECIFICATIONS

- Metal handle and escutcheon
- Requires pressure balance valve model # UFP-PBV7 or UFP-PBV5
- 8" diameter single function shower head
- 14" Shower arm length
- Flow rate: 1.8gpm @ 80psi shower
- Finishes: PVD Brushed Nickel/Polished Chrome/Oil Rubbed Bronze/Matte Black/Brushed Gold

FINISHES INCLUDE

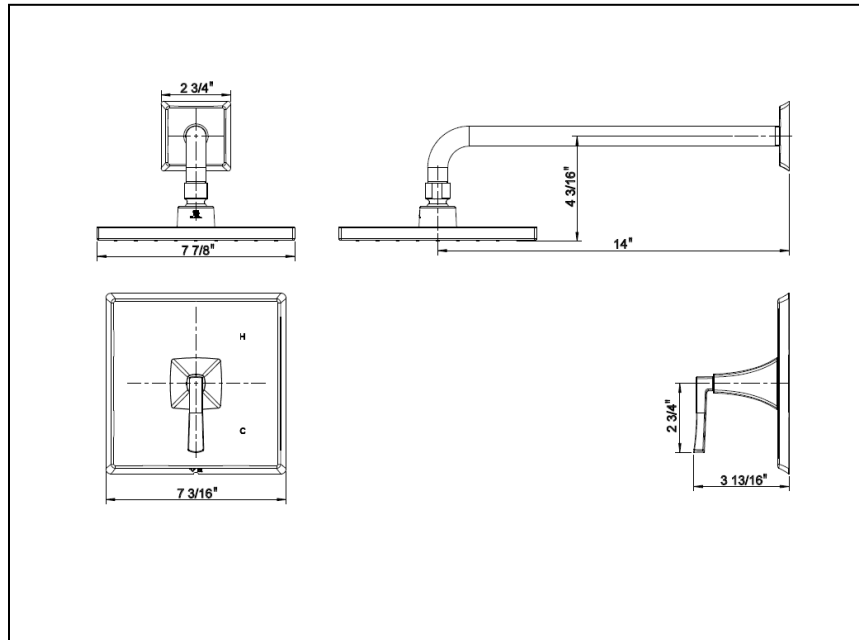
- Chrome(UF78400-1)
- PVD Brushed Nickel(UF78403-1)
- Oil Rubbed Bronze(UF78405-1)
- Matte Black(UF78407-1)
- Brushed Gold(UF78408-1)

WARRANTY

- Limited lifetime warranty on workmanship and materials to the original purchaser

COMPLIES WITH

- ASME A112.18.1
- CSA B125.1
- IAPMO/UPC/cUPC
- EPA Watersense



ULTRA PRESSURE BALANCE VALVE

▪ **Pressure Balance Valve and Rough Assembly UFP-PBV7**

STANDARD SPECIFICATIONS

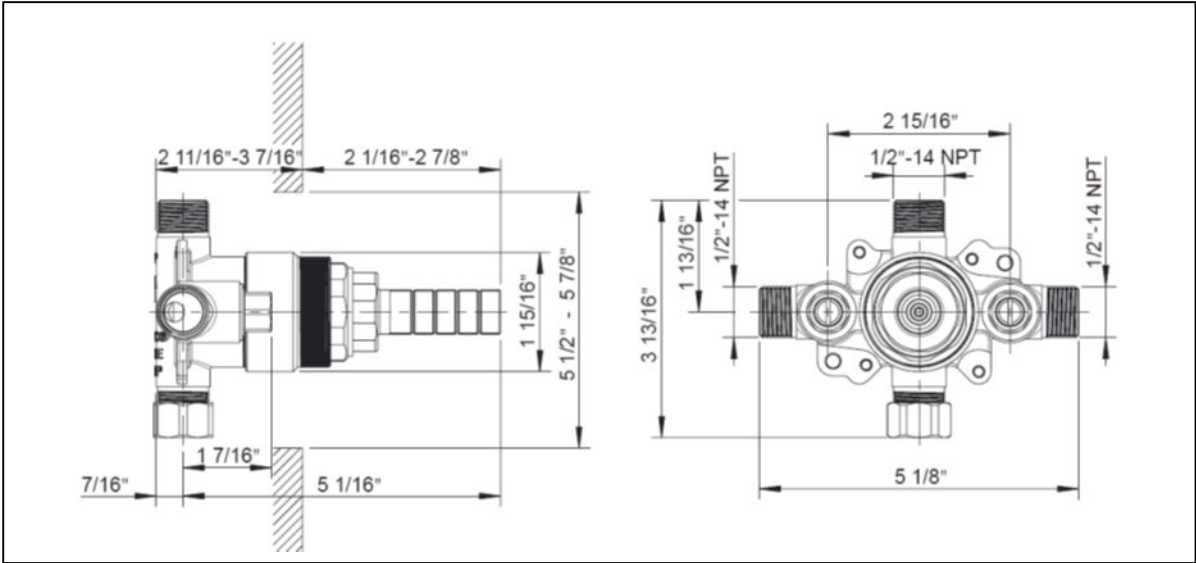
- Ceramic disc cartridge
- Forged brass valve body
- Built-in check valves
- Built-in stop valves
- 1/2" CC and IPS connections

WARRANTY

- Limited lifetime warranty on workmanship and materials to the original purchaser

COMPLIES WITH

- NSF 61-9
- ASME A112.18.1
- CSA B125.1
- cUPC



tel. 888-OK-ULTRA (658-5872) • fax. 949-252-9989 • <http://www.ultrafaucets.com>

This specification is provided for reference only. Ultra Faucets reserves the right to modify specifications and materials without notice or obligation.