

- **Kree Collection**
- **Shower Trim Only**

STANDARD SPECIFICATIONS

- Metal lever handle
- Pressure balance valve not included
- 8" round single-function shower head
- 14" metal shower arm
- 1.8gpm max @ 80psi

FINISHES INCLUDE

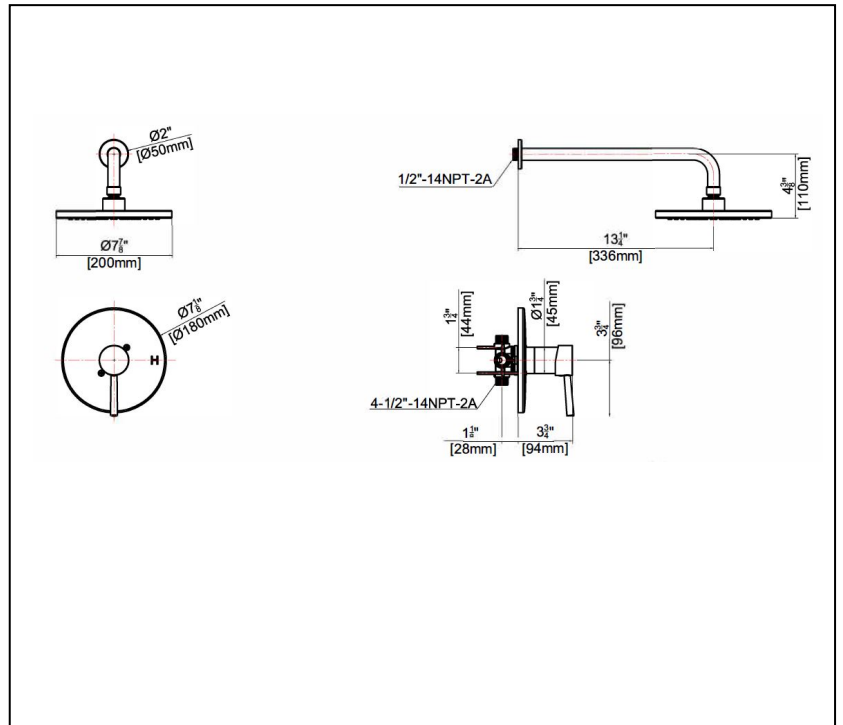
- Polished Chrome (UF78300-1)
- Brushed Nickel (UF78303-1)
- Matte Black (UF78307-1)
- Brushed Gold (UF783081)

WARRANTY

- Limited lifetime warranty on workmanship and materials to the original purchaser

COMPLIES WITH

- ASME A112.18.1
- CSA B125.1
- cUPC



ULTRA PRESSURE BALANCE VALVE

Pressure Balance Valve and Rough Assembly UFP-PBV7

STANDARD SPECIFICATIONS

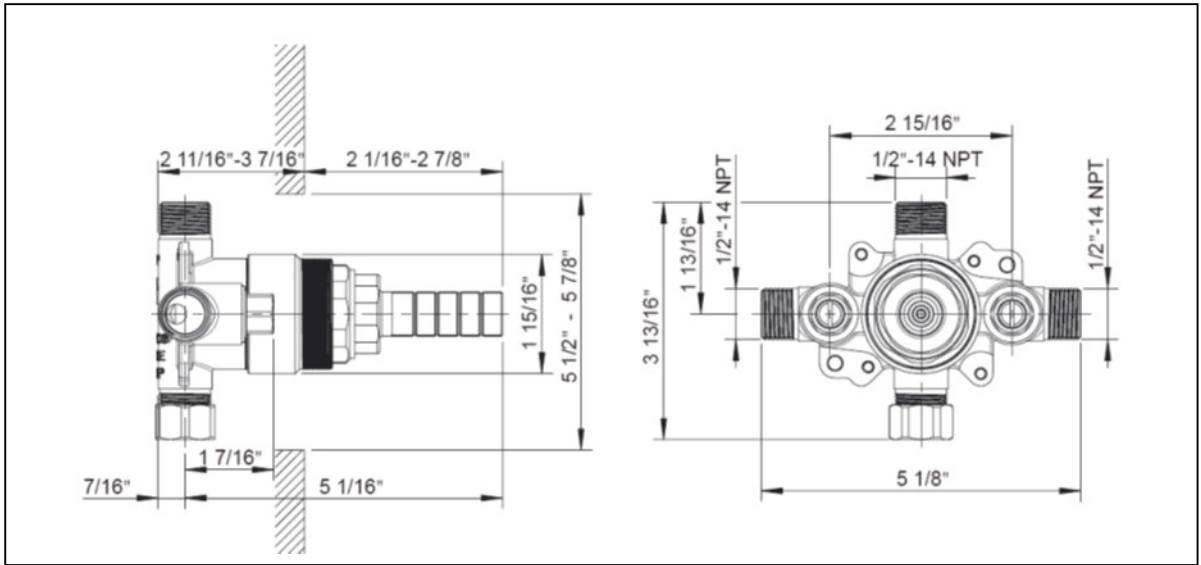
- Ceramic disc cartridge
- Forged brass valve body
- Built-in check valves
- Built-in stop valves
- 1/2" CC and IPS connections

WARRANTY

- Limited lifetime warranty on workmanship and materials to the original purchaser

COMPLIES WITH

- NSF 61-9
- ASME A112.18.1
- CSA B125.1
- cUPC



tel. 888-OK-ULTRA (658-5872) • fax. 949-252-9989 • <http://www.ultrafaucets.com>

This specification is provided for reference only. Ultra Faucets reserves the right to modify specifications and materials without notice or obligation.