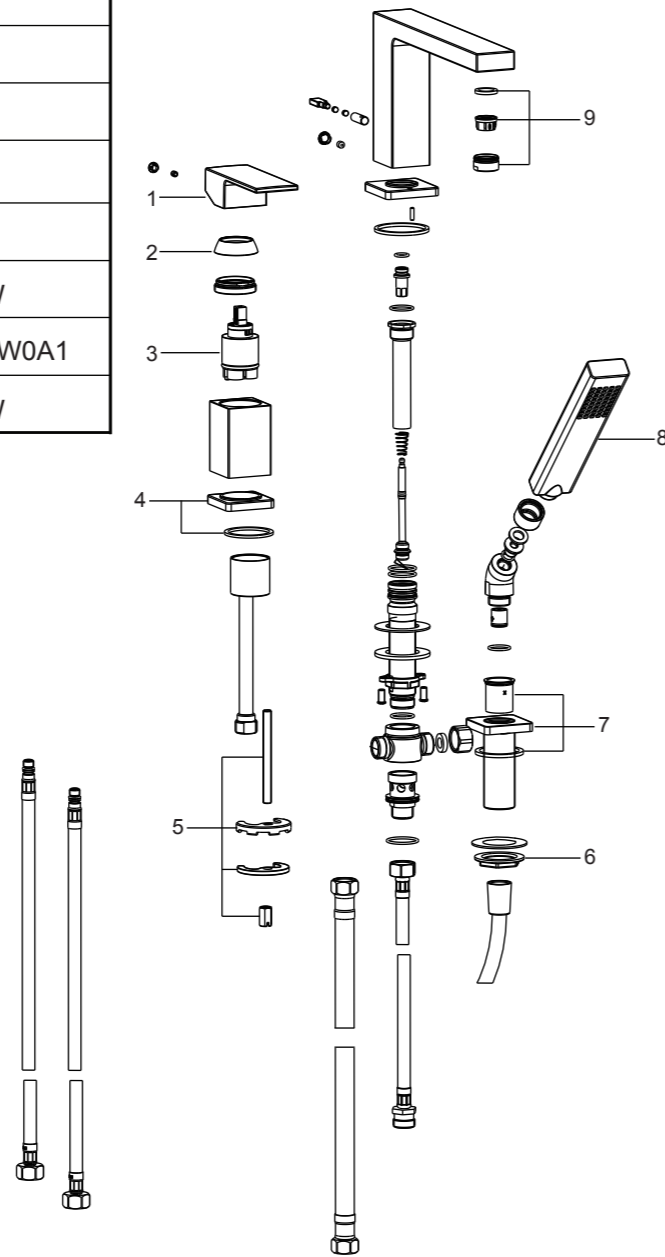


Replacement Parts / Pièces de rechange / Repuestos

NO.	Description	Part No.
1	Handle	5C0100900CP0
2	Dome	5L0P0120CP
3	Cartridge	5D0M0201PL
4	Hand Shower Base	5Q0M0109CP
5	Fixed ASSY	5Q0M0323NT
6	Lock Nut	5T1C0090NT
7	Shower Mounting Assembly	5Q0M0110CP/AP/HA/HBW
8	Hand-Shower	5101212201CP/AP/HA/HBW0A1
9	Aerator	5Q0M0322CP/AP/HA/HBW



UF65840
UF65843
UF65845
UF65847

Limited Lifetime Warranty

Ultra Faucets warrants to the original purchaser that its products will be free from defects in workmanship and materials. All Ultra Faucets are provided with a life time limited warranty. This warranty does not cover any other labor or service charges associated with the removal, repair, or reinstallation of Ultra Faucets products. This express warranty does not apply to products that have been damaged as a result of misuse, abuse, negligence, accident, faulty installation or maintenance practices and/or used in any manner contrary to those recommended by the manufacturer.

Need help? Please call our toll-free customer service line at 1-888-658-5872 for additional assistance or service.
Besoin d'aide? Veuillez communiquer avec notre service à la clientèle au numéro gratuit 1-888-658-5872 pour tous renseignements ou services complémentaires.
¿Requiere asistencia? Llame a nuestro Servicio al Cliente, sin costo, al 1-888-658-5872 para asistencia adicional o servicio.

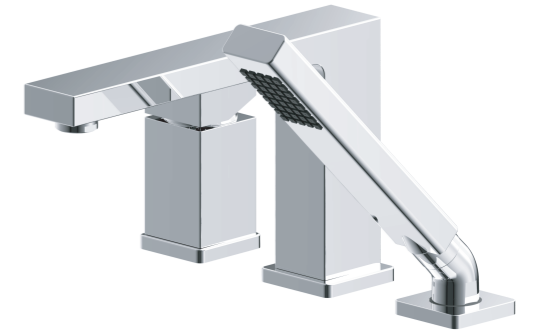
Rift Collection

Roman Tub Faucet with Hand-Shower



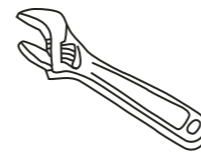
Installation/Installation/Instalación

CUSTOMER SERVICE
TOLL-FREE 1-888-OK-ULTRA (658-5872)

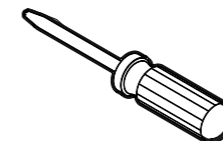


UF65840 - Polished Chrome
UF65843 - PVD Brushed Nickel
UF65845 - Oil Rubbed Bronze
UF65847 - Matte Black

Tools You Will Need / Outils dont vous aurez besoin / Herramientas necesarias



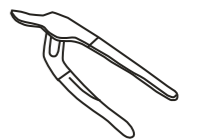
Adjustable Wrench
Clé à molette
Llave ajustable



Phillips Screwdriver
Tournevis Phillips
Destornillador cruciforme



Pipe Tape
Ruban pour tuyau
Cinta selladora para rosca



Groove join pliers
Pince multiprise
Pinzas ajustables

SAFETY TIPS

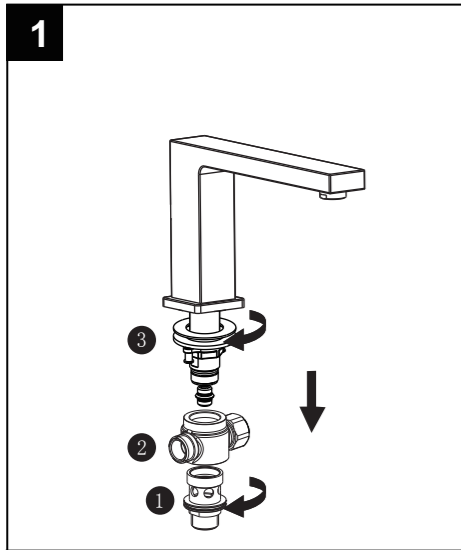
- If you use soldering for the installation of the faucet, the seats, cartridges and washers will have to be removed before using flame. Otherwise, warranty will be void on those parts.
- Cover your drain to avoid losing parts.
- 0°C~55°C.

CONSIGNES DE SÉCURITÉ

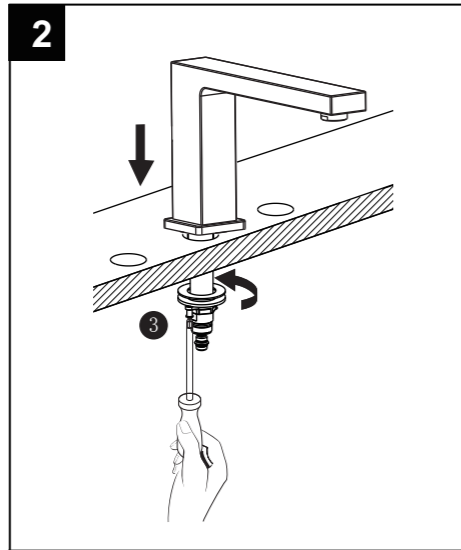
- Si vous posez le robinet par brasage, il est essentiel de retirer les sièges, les cartouches et les rondelles avant d'appliquer la flamme, faute de quoi la garantie sur ces pièces sera annulée.
- Couvrez le drain pour ne pas perdre des pièces.
- 0°C~55°C.

CONSEJOS DE SEGURIDAD

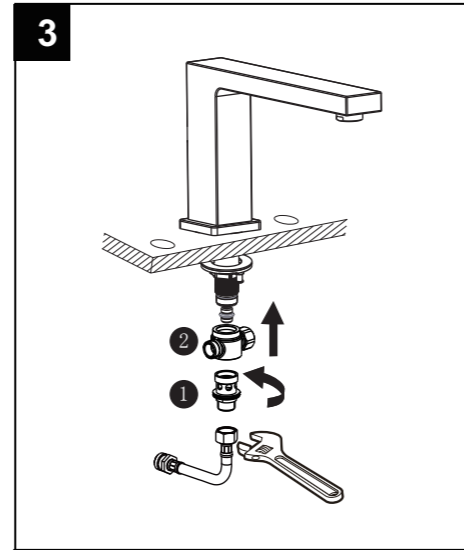
- En el caso de utilizar soldadura para instalar el grifo, remueva los asientos, cartuchos y arandelas antes de usar la llama. De lo contrario, se anulará la garantía para esos componentes.
- Tape la boca del desagüe para prevenir la pérdida de piezas pequeñas.
- 0°C~55°C.



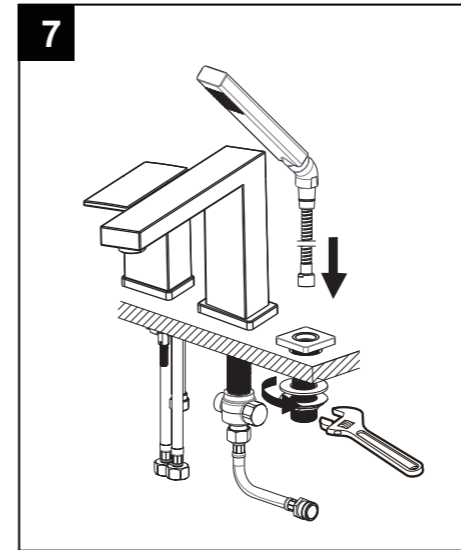
1. Use #6 Allen key to unscrew part #1 above.
 2. Unscrew diverter (part #2) above.
 3. Remove mounting hardware (part #3).



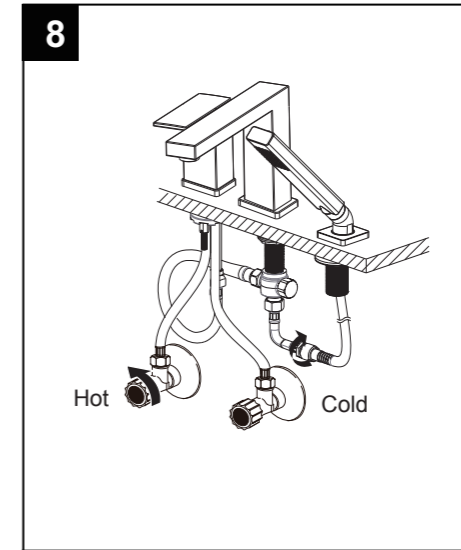
4. Place spout through mounting hole.
 5. Screw on mounting hardware and use screwdriver to tighten screws.



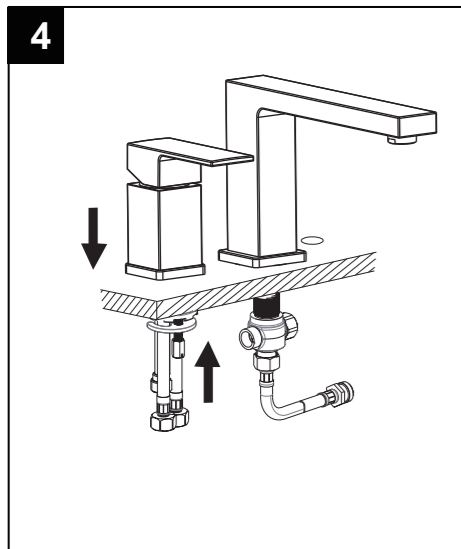
6. Re-attach the diverter assembly (parts #1 and 2) with a #6 Allen key.
 7. Tighten hose to bottom of part #1.



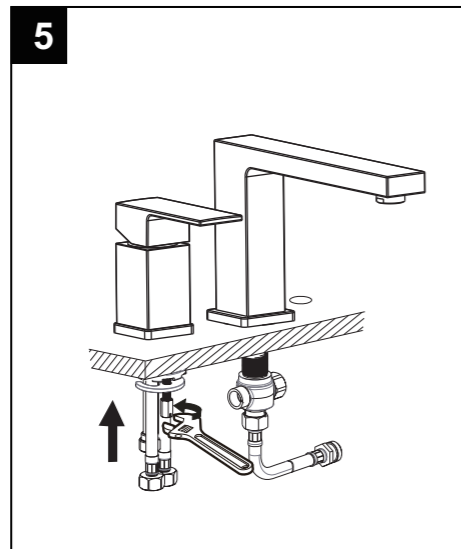
12. Use wrench to tighten mounting nut for hand-shower base.



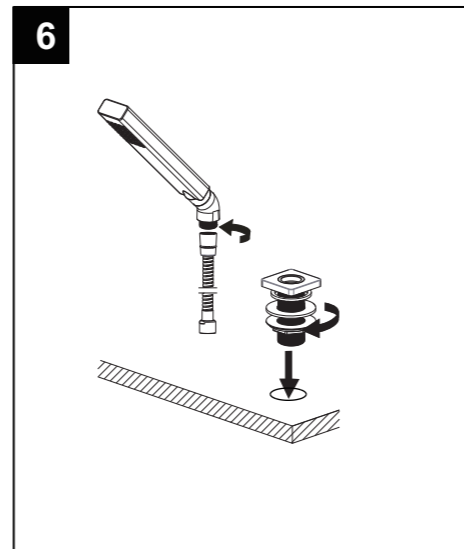
13. Connect the shower hose.
 14. Connect hot and cold supply lines to angle valve. Open angle valve.



8. Drop handle assembly through mounting hole.



9. Install mounting hardware and tighten with wrench.



10. Connect hand-shower hose to the hand-shower.
 11. Install the hand-shower base.