

# Lavatory Faucet

- **Rift Collection**
- **Roman Tub Faucet with Hand-Shower**
- **3 Hole Installation**

## STANDARD SPECIFICATIONS

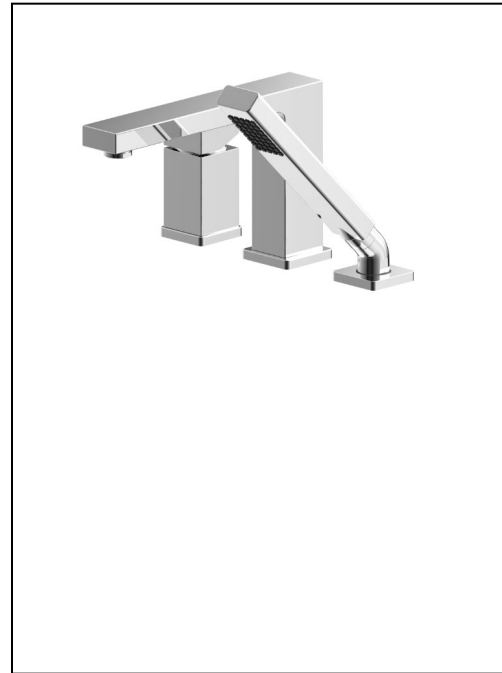
- 3-hole installation with matching hand-shower
- 35 Valve element
- Rough-in included
- Copper tube inlet with 1/2" CC connection
- NEOPERL® stream straightener 8.0gpm max @ 80psi; handshower 1.8gpm max @80psi
- Finishes: Polished Chrome / Brushed Nickel / Oil Rubbed Bronze / Matte Black

## FINISHES INCLUDE

- Chrome (UF65840)
- PVD Brushed Nickel (UF65843)
- Matte Black (UF65845)
- Brushed Gold (UF65847)

## WARRANTY

- Limited lifetime warranty on workmanship and materials to the original purchaser



## COMPLIES WITH

- NSF 61-9
- ASME A112.18.1
- IAPMO/UPC/cUPC
- AB1953
- EPA Watersense

