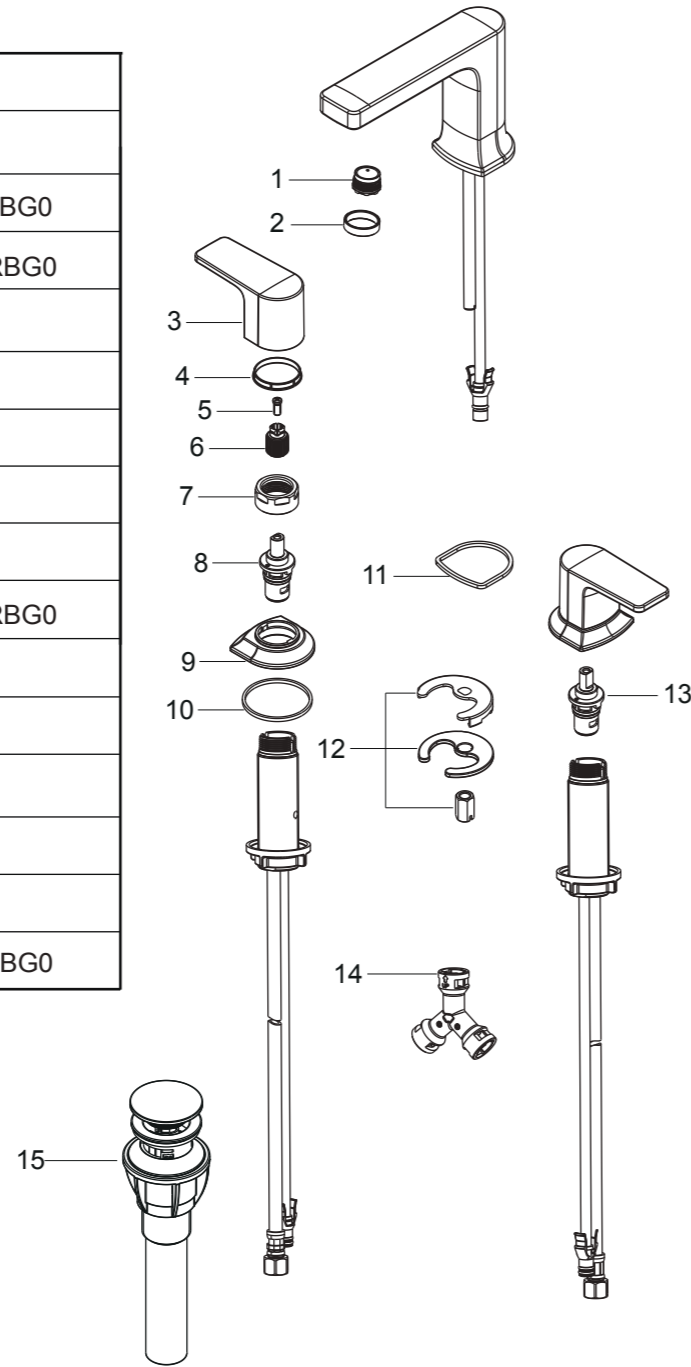


Replacement Parts / Pièces de rechange / Repuestos

UF58000  
UF58003  
UF58007  
UF58008

| NO. | Description             | Part No.                |
|-----|-------------------------|-------------------------|
| 1   | Aerator                 | 5E0003800PL0            |
| 2   | Nut                     | 5L0096500CP/AP/HBW/RBG0 |
| 3   | Handle Assembly         | 5C0104000CP/AP/HBW/RBG0 |
| 4   | Washer                  | 5R4016700PL0            |
| 5   | Screw                   | 5T0F0241NT              |
| 6   | Bush                    | 5L0099300PL0            |
| 7   | Nut                     | 5T1020000NT0            |
| 8   | Cartridge Assembly-Hot  | 5D8003500PL0            |
| 9   | Hand Shower Base        | 5N0106900CP/AP/HBW/RBG0 |
| 10  | Washer                  | 5R4P0108PL              |
| 11  | Sealing Ring            | 5R4028500PL0            |
| 12  | Fixed ASSY              | 5Y0306800NT0            |
| 13  | Cartridge Assembly-Cold | 5D8003600PL0            |
| 14  | Tee Connecto Set Screw  | 5J0038800PL0            |
| 15  | Push Pop-Up Assembly    | 5Y0161903CP/AP/HBW/RBG0 |



**Limited Lifetime Warranty**

Ultra Faucets warrants to the original purchaser that its products will be free from defects in workmanship and materials. All Ultra Faucets are provided with a life time limited warranty. This warranty does not cover any other labor or service charges associated with the removal, repair, or reinstallation of Ultra Faucets products. This express warranty does not apply to products that have been damaged as a result of misuse, abuse, negligence, accident, faulty installation or maintenance practices and/or used in any manner contrary to those recommended by the manufacturer.

**Need help?** Please call our toll-free customer service line at 1-888-658-5872 for additional assistance or service.

**Besoin d'aide?** Veuillez communiquer avec notre service à la clientèle au numéro gratuit 1-888-658-5872 pour tous renseignements ou services complémentaires.

**Dean Collection**

Two-Handle Widespread Lavatory  
Faucet



**Installation/Installation/Instalación**

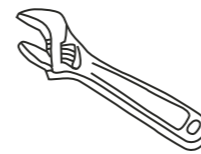
**CUSTOMER SERVICE**

**TOLL-FREE 1-888-OK-ULTRA (658-5872)**

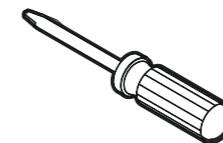
- UF58000 - Polished Chrome
- UF58003 - PVD Brushed Nickel
- UF58007 - Matte Black
- UF58008 - Brushed Gold



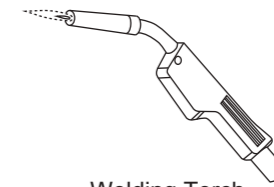
**Tools You Will Need / Outils dont vous aurez besoin / Herramientas necesarias**



Adjustable Wrench  
Clé à molette  
Llave ajustable



Phillips Screwdriver  
Tournevis Phillips  
Destornillador cruciforme



Welding Torch  
Chalumeau (soudeur)  
Pistola



Groove joint pliers  
Pince multiprise  
Pinzas ajustables

**SAFETY TIPS**

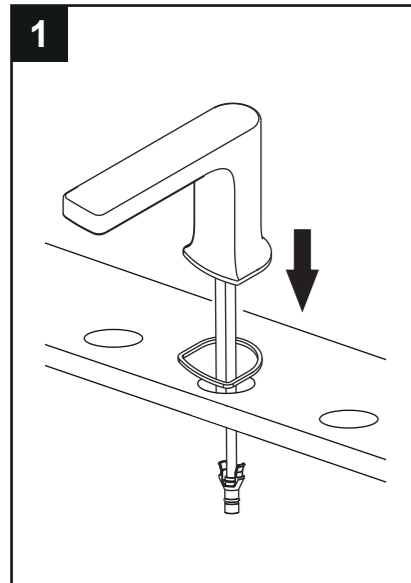
- If you use soldering for the installation of the faucet, the seats, cartridges and washers will have to be removed before using flame. Otherwise, warranty will be void on those parts.
- Cover your drain to avoid losing parts.
- 0°C~55°C.

**CONSIGNES DE SÉCURITÉ**

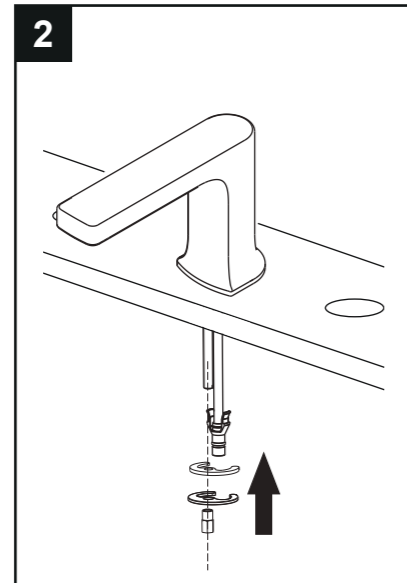
- Si vous posez le robinet par brasage, il est essentiel de retirer les sièges, les cartouches et les rondelles avant d'appliquer la flamme, faute de quoi la garantie sur ces pièces sera annulée.
- Couvrez le drain pour ne pas perdre des pièces.
- 0°C~55°C.

**CONSEJOS DE SEGURIDAD**

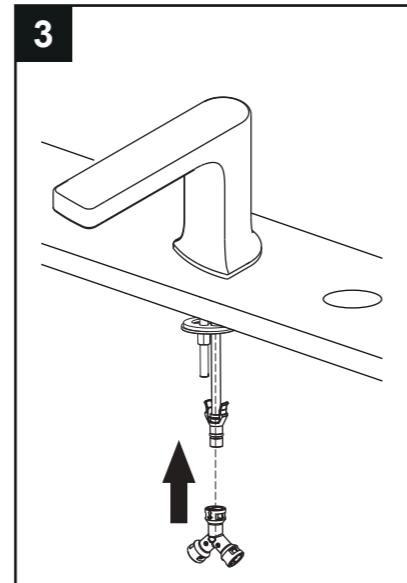
- En el caso de utilizar soldadura para instalar el grifo, remueva los asientos, cartuchos y arandelas antes de usar la llama. De lo contrario, se anulará la garantía para esos componentes.
- Tape la boca del desagüe para prevenir la pérdida de piezas pequeñas.
- 0°C~55°C.



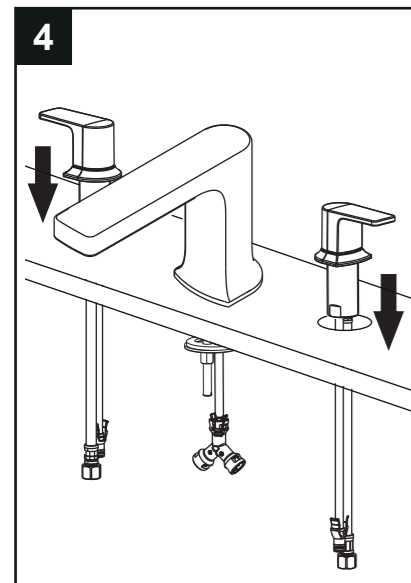
1  
Install the faucet through the mounting hole.



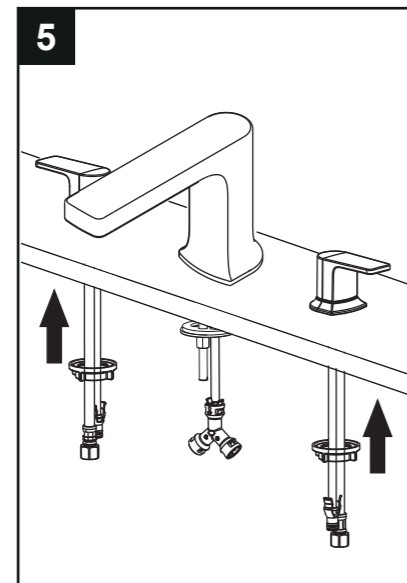
2  
Carefully tighten spout mounting hardware to secure faucet.



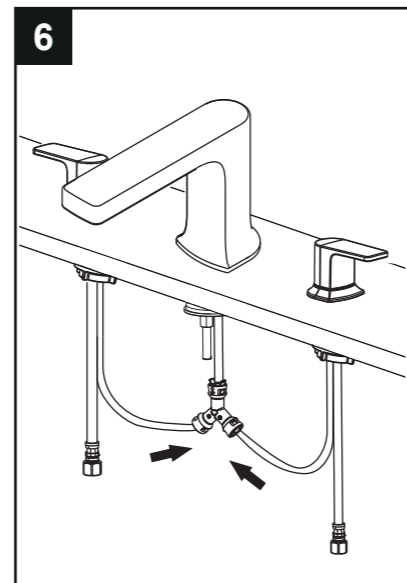
3  
Install the tee assembly.



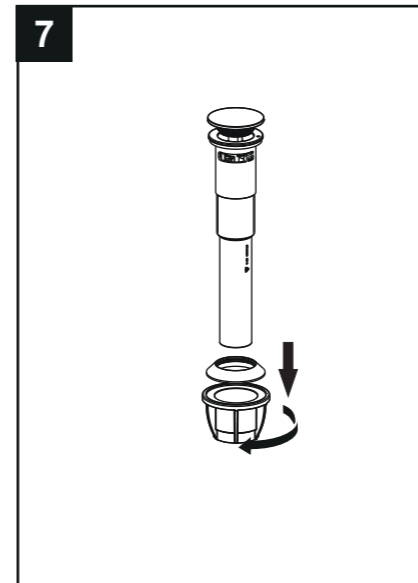
4  
Lower the handle assembly into the mounting hole.



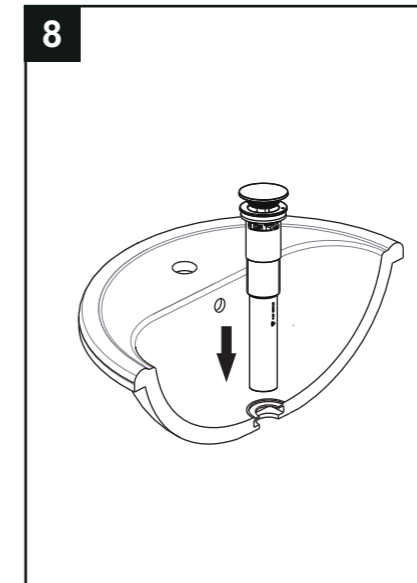
5  
Tighten the mounting nut to secure the handle.



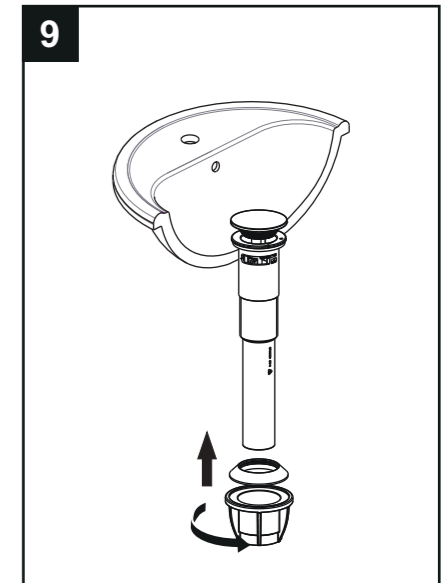
6  
Connect the inlet hose to the faucet body and water inlet.



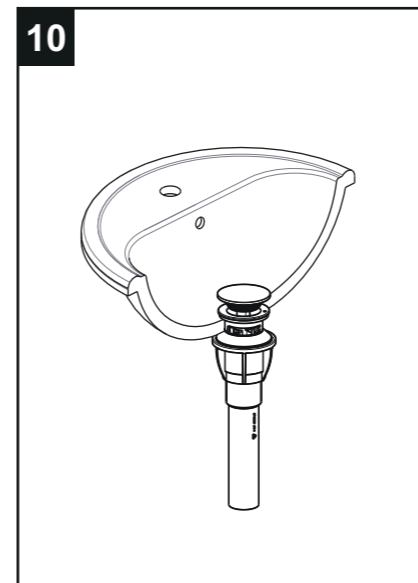
7  
Remove rubber washer and locking nut from the drain assembly.



8  
Slide push drain down into drain hole.



9  
Tighten seal ring with plastic nut upwards and secure tight from below.



10  
Complete the assembly.

