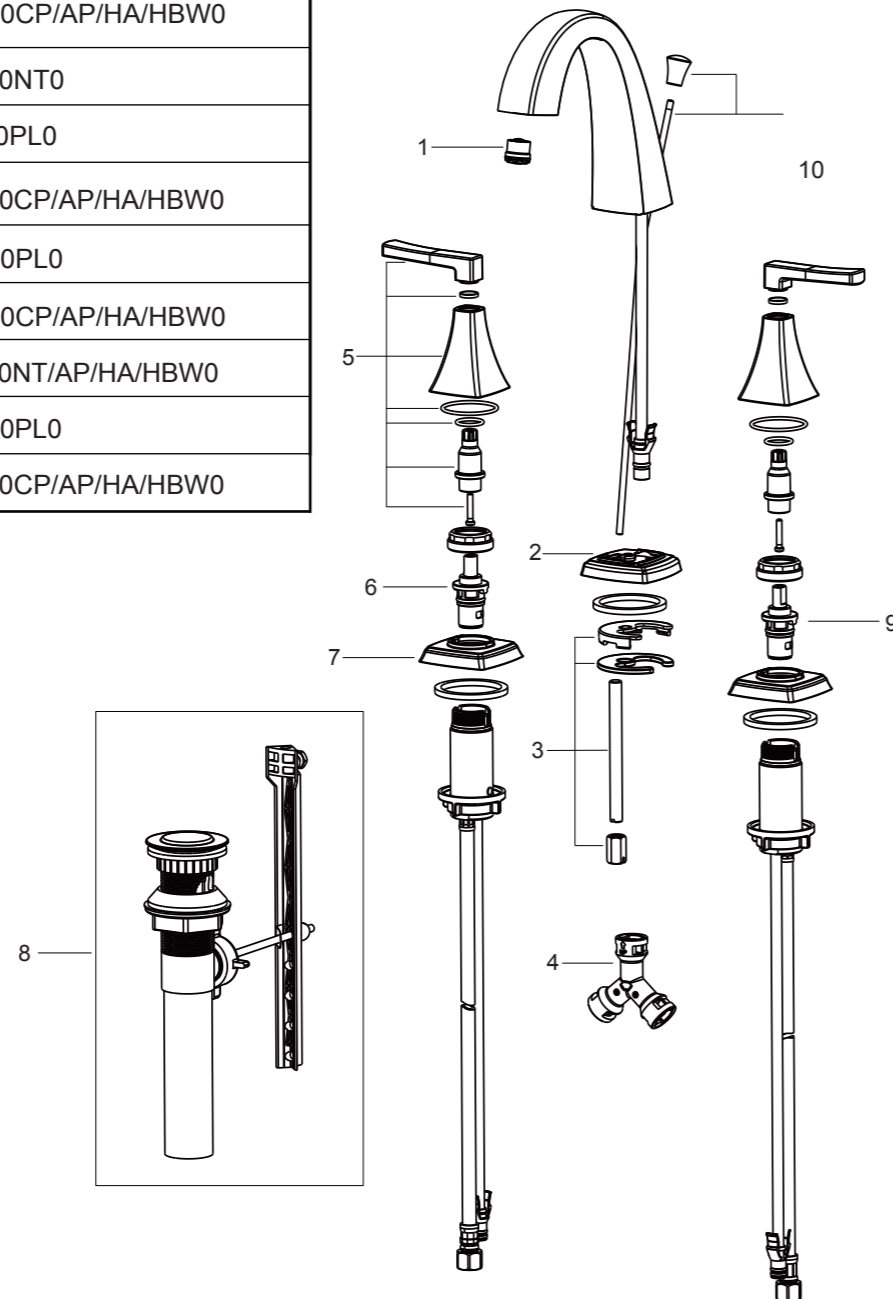


Replacement Parts / Pièces de rechange / Repuestos

NO.	Description	Part No.
1	Aerator	5E0005200PLO
2	Base Plate	5N0096900CP/AP/HA/HBW0
3	Mounting Hardware	5Y0280300NT0
4	Tee Connector	5J0038800PLO
5	Handle	5Y0280200CP/AP/HA/HBW0
6	Cartridge Assembly-hot	5D8003500PLO
7	Flange	5N0096800CP/AP/HA/HBW0
8	Pop-Up Assembly	5Y0012600NT/AP/HA/HBW0
9	Cartridge Assembly-Cold	5D8003600PLO
10	Lift Rod	5Y0237700CP/AP/HA/HBW0



Limited Lifetime Warranty

Ultra Faucets warrants to the original purchaser that its products will be free from defects in workmanship and materials. All Ultra Faucets are provided with a life time limited warranty. This warranty does not cover any other labor or service charges associated with the removal, repair, or reinstallation of Ultra Faucets products. This express warranty does not apply to products that have been damaged as a result of misuse, abuse, negligence, accident, faulty installation or maintenance practices and/or used in any manner contrary to those recommended by the manufacturer.

Need help? Please call our toll-free customer service line at 1-888-658-5872 for additional assistance or service.

Besoin d'aide? Veuillez communiquer avec notre service à la clientèle au numéro gratuit 1-888-658-5872 pour tous renseignements ou services complémentaires.

¿Requiere asistencia? Llame a nuestro Servicio al Cliente, sin costo, al 1-888-658-5872 para asistencia adicional o servicio.

UF57100
UF57103
UF57105
UF57107
UF57108

Lotto Collection

Two-Handle Widespread Lavatory Faucet



Installation/Installation/Instalación

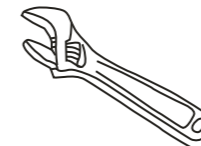
CUSTOMER SERVICE

TOLL-FREE 1-888-OK-ULTRA (658-5872)

- UF57100 - Polished Chrome**
- UF57103 - PVD Brushed Nickel**
- UF57105 - Oil Rubbed Bronze**
- UF57107 - Matte Black**
- UF57108 - Brushed Gold**



Tools You Will Need / Outils dont vous aurez besoin / Herramientas necesarias



Adjustable Wrench
 Clé à molette
 Llave ajustable



Groove joint pliers
 Pince multiprise
 Pinzas ajustables

SAFETY TIPS

- If you use soldering for the installation of the faucet, the seats, cartridges and washers will have to be removed before using flame. Otherwise, warranty will be void on those parts.
- Cover your drain to avoid losing parts.
- 0°C~55°C.

CONSIGNES DE SÉCURITÉ

- Si vous posez le robinet par brasage, il est essentiel de retirer les sièges, les cartouches et les rondelles avant d'appliquer la flamme, faute de quoi la garantie sur ces pièces sera annulée.
- Couvrez le drain pour ne pas perdre des pièces.
- 0°C~55°C.

CONSEJOS DE SEGURIDAD

- En el caso de utilizar soldadura para instalar el grifo, remueva los asientos, cartuchos y arandelas antes de usar la llama. De lo contrario, se anulará la garantía para esos componentes.
- Tape la boca del desagüe para prevenir la pérdida de piezas pequeñas.
- 0°C~55°C.

