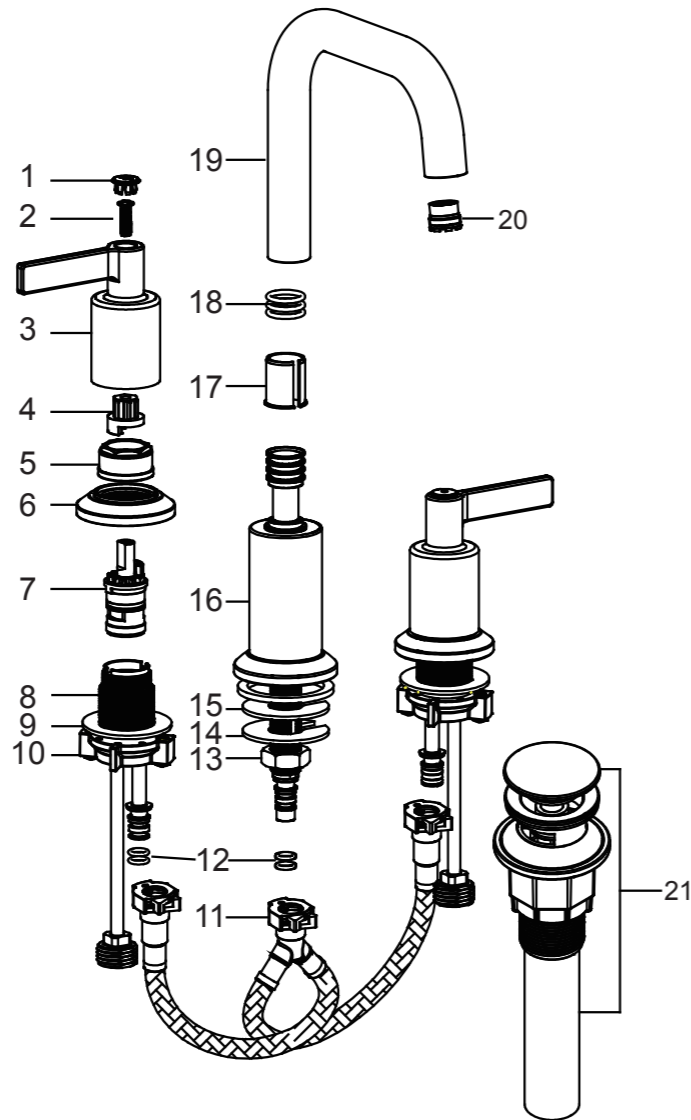


Replacement Parts / Pièces de rechange / Repuestos

NO.	Description	Part No.
1	Index H&C	06806&06807**
2	Screws	06803
3	Handles	28802**
4	Inverter H&C	06628&06629
5	Bonnet	04009CP
6	Flange	28823**
7	Ceramic cartridge	06840
8	Valve body assembly	06652
9	Metal washer	06614
10	Mounting nut	22827
11	X-Over hose	28858
12	O-Ring	08687
13	Nut	06606
14	Metal washer	06605
15	Rubber washer	06631
16	Spout seat	28840**
17	Ring	28835
18	O-Ring	28886
19	Spout	28826**
20	Aerator	22512
21	Push-up Pop-up Drain	76800**



UF57000
UF57003
UF57005
UF57007
UF57008

KREE Series

4" Two Handle Lavatory Faucet
with Push up Pop-up Drain

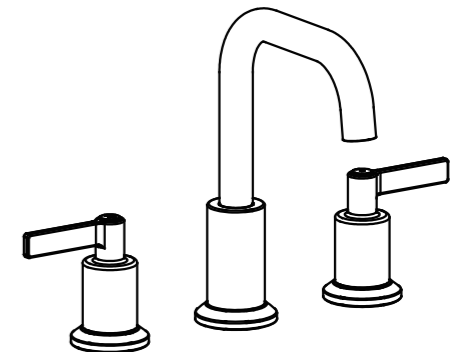


Installation/Installation/Instalación

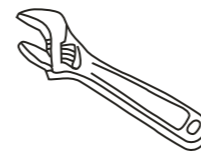
CUSTOMER SERVICE

TOLL-FREE 1-888-OK-ULTRA (658-5872)

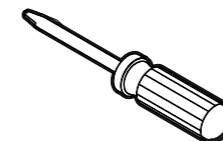
- UF57000 - Chrome
- UF57003 - Brushed Nickel
- UF57005 - Oil Rubbed Bronze
- UF57007 - Matte Black
- UF57008 - Brushed Gold



Tools You Will Need / Outils dont vous aurez besoin / Herramientas necesarias



Adjustable Wrench
Clé à molette
Llave ajustable



Phillips Screwdriver
Tournevis Phillips
Destornillador cruciforme



Pipe Tape
Ruban pour tuyau
Cinta selladora para rosca



Groove join pliers
Pince multiprise
Pinzas ajustables

Limited Lifetime Warranty

Ultra Faucets warrants to the original purchaser that its products will be free from defects in workmanship and materials. All Ultra Faucets are provided with a life time limited warranty. This warranty does not cover any other labor or service charges associated with the removal, repair, or reinstallation of Ultra Faucets products. This express warranty does not apply to products that have been damaged as a result of misuse, abuse, negligence, accident, faulty installation or maintenance practices and/or used in any manner contrary to those recommended by the manufacturer.

Need help? Please call our toll-free customer service line at 1-888-658-5872 for additional assistance or service.

Besoin d'aide? Veuillez communiquer avec notre service à la clientèle au numéro gratuit 1-888-658-5872 pour tous renseignements ou services complémentaires.

¿Requiere asistencia? Llame a nuestro Servicio al Cliente, sin costo, al 1-888-658-5872 para asistencia adicional o servicio.

SAFETY TIPS

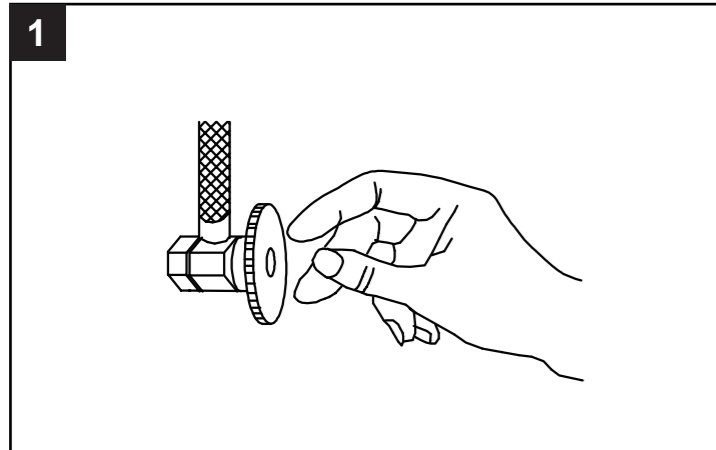
- If you use soldering for the installation of the faucet, the seats, cartridges and washers will have to be removed before using flame. Otherwise, warranty will be void on those parts.
- Cover your drain to avoid losing parts.
- 0°C~55°C.

CONSIGNES DE SÉCURITÉ

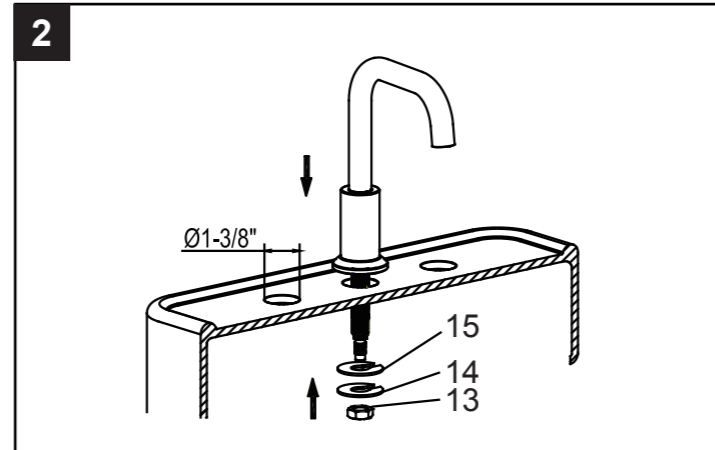
- Si vous posez le robinet par brasage, il est essentiel de retirer les sièges, les cartouches et les rondelles avant d'appliquer la flamme, faute de quoi la garantie sur ces pièces sera annulée.
- Couvrez le drain pour ne pas perdre des pièces.
- 0°C~55°C.

CONSEJOS DE SEGURIDAD

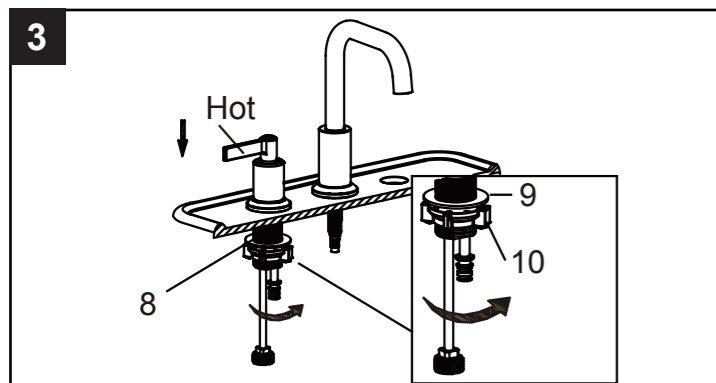
- En el caso de utilizar soldadura para instalar el grifo, remueva los asientos, cartuchos y arandelas antes de usar la llama. De lo contrario, se anulará la garantía para esos componentes.
- Tape la boca del desagüe para prevenir la pérdida de piezas pequeñas.
- 0°C~55°C.



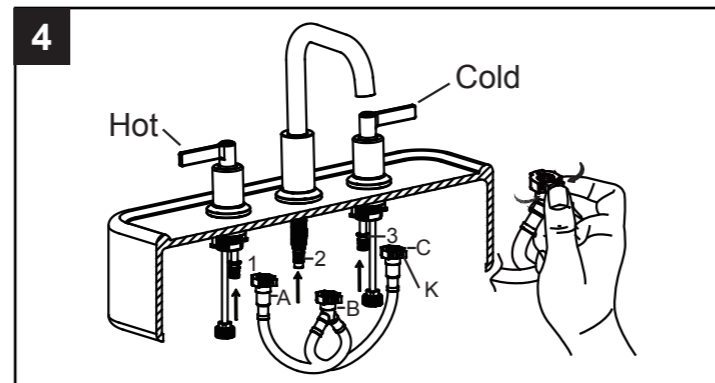
1
 Shut off water supplies. Remove old faucet. Clean sink surface in preparation for new faucet.



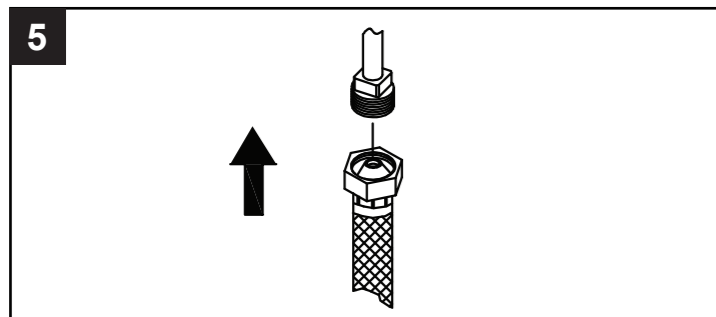
2
 Place the spout through center hole (The hole diameter should be 1-3/8") of the sink. Under sink, secure firmly to sink with rubber washer(15), metal washer(14) and nut(12).



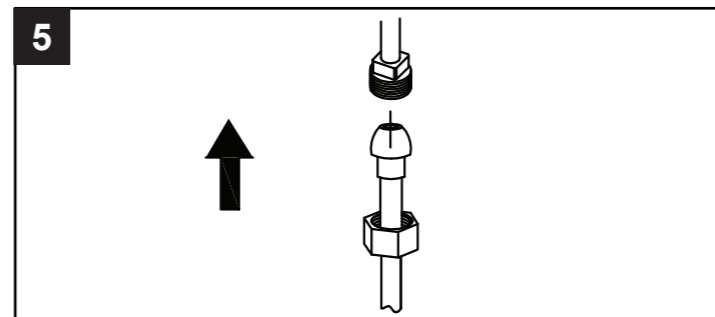
3
 Insert the Valve body assembly(8) with the hot supply label on the left (hot) side. Hold the body in the proper position. Assemble metal washer(9) and mounting nut(10) onto body underside of sink, tighten it with the locking screws.



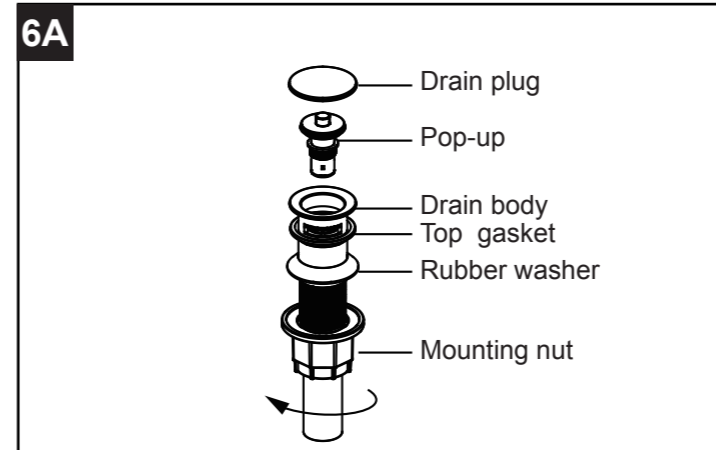
4
 Align the blocks (1, 2, 3) and tabs (A, B, C) to the quick connect (K). Push the quick connect (K) firmly upward and snap onto the blocks (1,2,3). Pull down moderately to ensure each connection is secure. If it is necessary to remove the x-over hose, press on the tabs (A, B, C) and pull the quick connect (K).



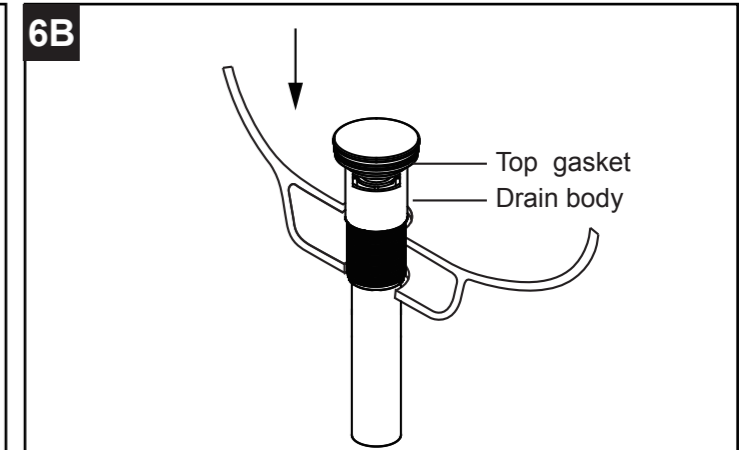
5
 Stainless steel Braided Faucet supply Tubes: This is the simplest of all installations. If you are using stainless steel braided faucet supply tubes, this faucet requires one end of the supply tube to have a 1/2" female IPS connection. The other end of this supply tube must match the thread on the water supply fittings or shut off valve under your sink. Once you have identified the required tube, carefully follow the manufacturer's installation instructions for each tube.



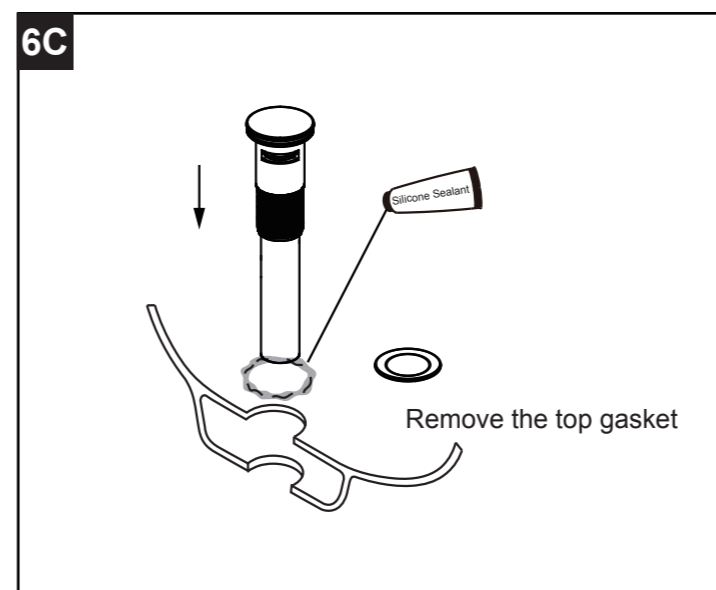
5
 Ball Nose Flexible Supplies: If you are using ball-nose flexible supplies to connect the faucet to water supply lines; Slip coupling nut behind ball-nose of flexible supply tube. Ball nose coupling will go partially into IPS shank or fitting. Tighten coupling nut (DO NOT OVER TIGHTEN). Install opposite end according to manufacturer's instructions for both tubes.



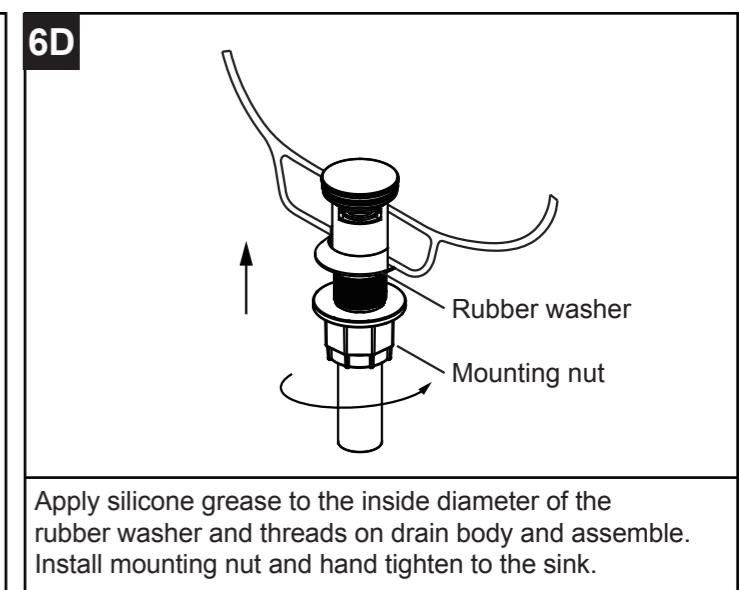
6A
 NOTE: Check that you have the appropriate drain for your sink. * If you are installing this pop-up in a sink that has an electronic faucet, please use plastic tailpiece.



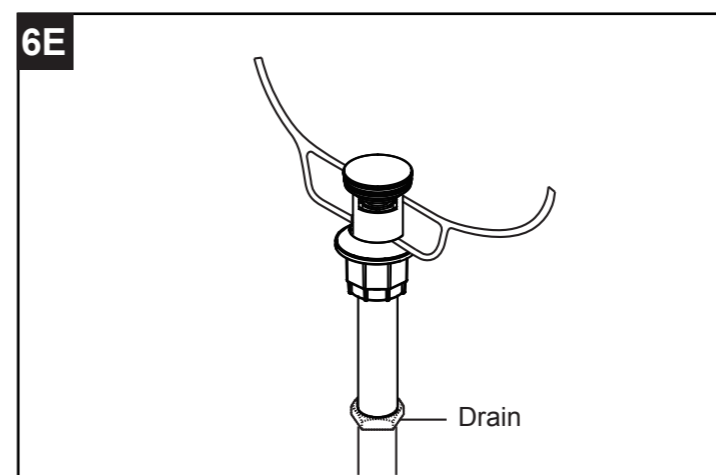
6B
 Insert body into sink. If you wish to use silicone as a seal, remove the top gasket and apply silicone to underside of drain body. Otherwise, leave gasket in place.



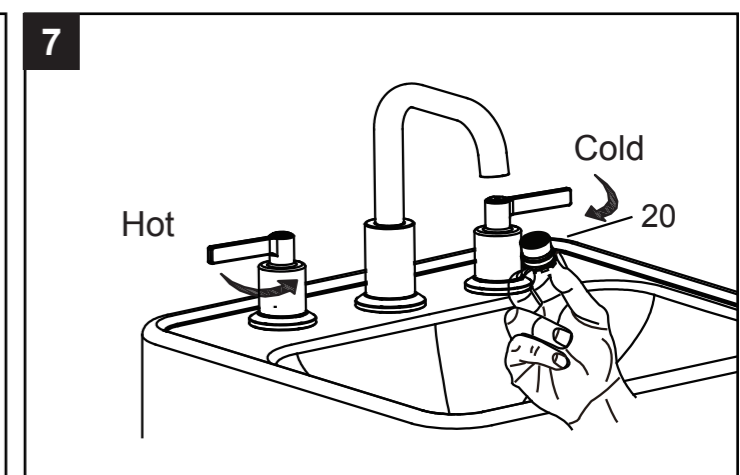
6C
 Remove the top gasket



6D
 Apply silicone grease to the inside diameter of the rubber washer and threads on drain body and assemble. Install mounting nut and hand tighten to the sink.



6E
 Connect assembly to drain.



7
 Loosen aerator with wrench or coin. Remove aerator(20). Turn water on for 1 minute to remove any debris. Reassemble aerator(20).