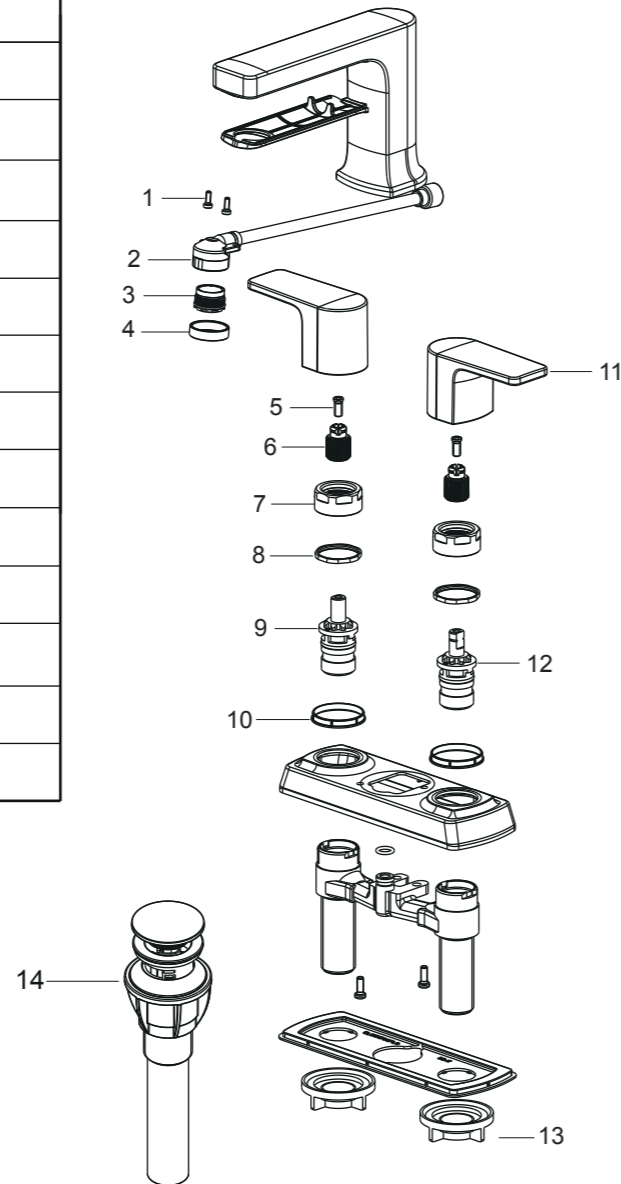


Replacement Parts / Pièces de rechange / Repuestos

UF48000
UF48003
UF48007
UF48008

NO.	Description	Part No.
1	Screw	5T0F0113NT
2	Pipe	5P0051301PL0
3	Aerator	5E0003800PL0
4	Nut	5L0096500CP/AP/HBW/RBG0
5	Screw	5T0F0241NT
6	Bush	5L0099300PL0
7	Nut	5T1020000NT0
8	Nut	5T1C0211NC
9	Cartridge Assembly-Hot	5D8003000NT0
10	Washer	5R4016700PL0
11	Handle Assembly Screw	5C0104000
12	Cartridge Assembly-Cold	5D8003100NT0
13	Nut	52006918PL
14	Push Pop-Up Assembly	5Y0161903CP/AP/HBW/RBG0



Limited Lifetime Warranty

Ultra Faucets warrants to the original purchaser that its products will be free from defects in workmanship and materials. All Ultra Faucets are provided with a life time limited warranty. This warranty does not cover any other labor or service charges associated with the removal, repair, or reinstallation of Ultra Faucets products. This express warranty does not apply to products that have been damaged as a result of misuse, abuse, negligence, accident, faulty installation or maintenance practices and/or used in any manner contrary to those recommended by the manufacturer.

Need help? Please call our toll-free customer service line at 1-888-658-5872 for additional assistance or service.

Besoin d'aide? Veuillez communiquer avec notre service à la clientèle au numéro gratuit 1-888-658-5872 pour tous renseignements ou services complémentaires.

¿Requiere asistencia? Llame a nuestro Servicio al Cliente, sin costo, al 1-888-658-5872 para asistencia adicional o servicio.

Dean Collection

Two-Handle 4" Centerset
Lavatory Faucet



Installation/Installation/Instalación

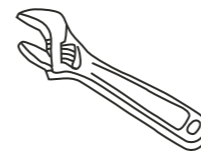
CUSTOMER SERVICE

TOLL-FREE 1-888-OK-ULTRA (658-5872)

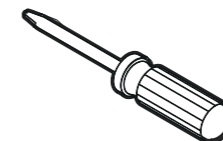
- UF48000 - Polished Chrome
- UF48003 - PVD Brushed Nickel
- UF48007 - Matte Black
- UF48008 - Brushed Gold



Tools You Will Need / Outils dont vous aurez besoin / Herramientas necesarias



Adjustable Wrench
Clé à molette
Llave ajustable



Phillips Screwdriver
Tournevis Phillips
Destornillador cruciforme



Pipe Tape
Ruban pour tuyau
Cinta selladora para rosca



Groove join pliers
Pince multiprise
Pinzas ajustables

SAFETY TIPS

- If you use soldering for the installation of the faucet, the seats, cartridges and washers will have to be removed before using flame. Otherwise, warranty will be void on those parts.
- Cover your drain to avoid losing parts.
- 0°C~55°C.

CONSIGNES DE SÉCURITÉ

- Si vous posez le robinet par brasage, il est essentiel de retirer les sièges, les cartouches et les rondelles avant d'appliquer la flamme, faute de quoi la garantie sur ces pièces sera annulée.
- Couvrez le drain pour ne pas perdre des pièces.
- 0°C~55°C.

CONSEJOS DE SEGURIDAD

- En el caso de utilizar soldadura para instalar el grifo, remueva los asientos, cartuchos y arandelas antes de usar la llama. De lo contrario, se anulará la garantía para esos componentes.
- Tape la boca del desagüe para prevenir la pérdida de piezas pequeñas.
- 0°C~55°C.

