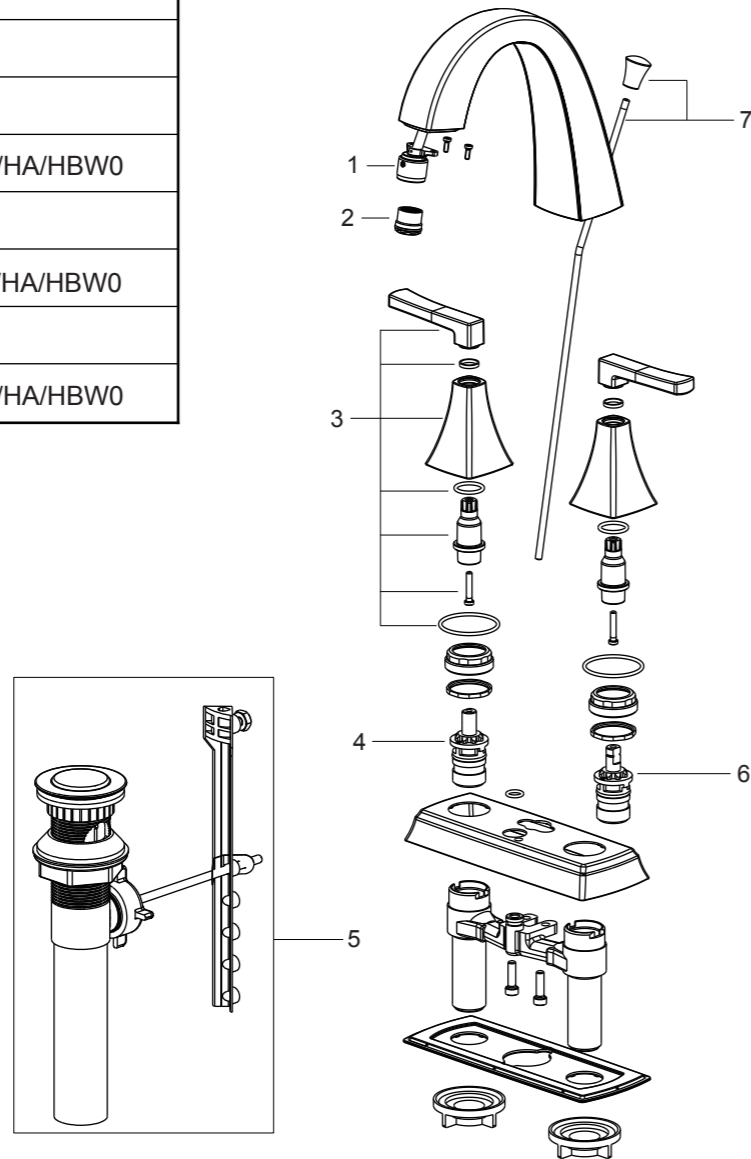


Replacement Parts / Pièces de rechange / Repuestos

UF46900
UF46903
UF46905
UF46907

NO.	Description	Part No.
1	Pert hose	5P0069400PLO
2	Aerator Assembly	5E0005200PLO
3	Handle Assembly	5Y0280200CP/AP/HA/HBW0
4	Cartridge-Hot	5D8003000NT0
5	Pop-Up Assembly	5Y0012600NT/AP/HA/HBW0
6	Cartridge-Cold	5D8003100NT0
7	Lift Rod	5Y0237700CP/AP/HA/HBW0



Limited Lifetime Warranty

Ultra Faucets warrants to the original purchaser that its products will be free from defects in workmanship and materials. All Ultra Faucets are provided with a life time limited warranty. This warranty does not cover any other labor or service charges associated with the removal, repair, or reinstallation of Ultra Faucets products. This express warranty does not apply to products that have been damaged as a result of misuse, abuse, negligence, accident, faulty installation or maintenance practices and/or used in any manner contrary to those recommended by the manufacturer.

Need help? Please call our toll-free customer service line at 1-888-658-5872 for additional assistance or service.

Besoin d'aide? Veuillez communiquer avec notre service à la clientèle au numéro gratuit 1-888-658-5872 pour tous renseignements ou services complémentaires.

¿Requiere asistencia? Llame a nuestro Servicio al Cliente, sin costo, al 1-888-658-5872 para asistencia adicional o servicio.

Lotto Collection
Two-Handle Lavatory Faucet



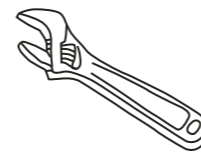
Installation/Installation/Instalación

CUSTOMER SERVICE
TOLL-FREE 1-888-OK-ULTRA (658-5872)

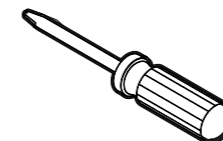
UF46900 - Polished Chrome
UF46903 - PVD Brushed Nickel
UF46905 - Oil Rubbed Bronze
UF46907 - Matte Black



Tools You Will Need / Outils dont vous aurez besoin / Herramientas necesarias



Adjustable Wrench
Clé à molette
Llave ajustable



Phillips Screwdriver
Tournevis Phillips
Destornillador cruciforme



Pipe Tape
Ruban pour tuyau
Cinta selladora para rosca



Groove join pliers
Pince multiprise
Pinzas ajustables

SAFETY TIPS

- If you use soldering for the installation of the faucet, the seats, cartridges and washers will have to be removed before using flame. Otherwise, warranty will be void on those parts.
- Cover your drain to avoid losing parts.
- 0°C~55°C.

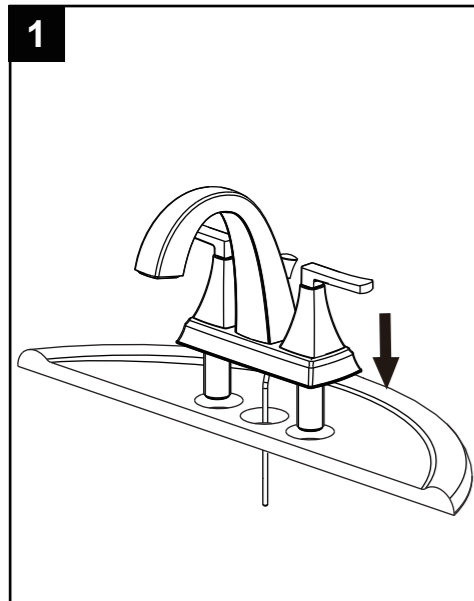
CONSIGNES DE SÉCURITÉ

- Si vous posez le robinet par brasage, il est essentiel de retirer les sièges, les cartouches et les rondelles avant d'appliquer la flamme, faute de quoi la garantie sur ces pièces sera annulée.
- Couvrez le drain pour ne pas perdre des pièces.
- 0°C~55°C.

CONSEJOS DE SEGURIDAD

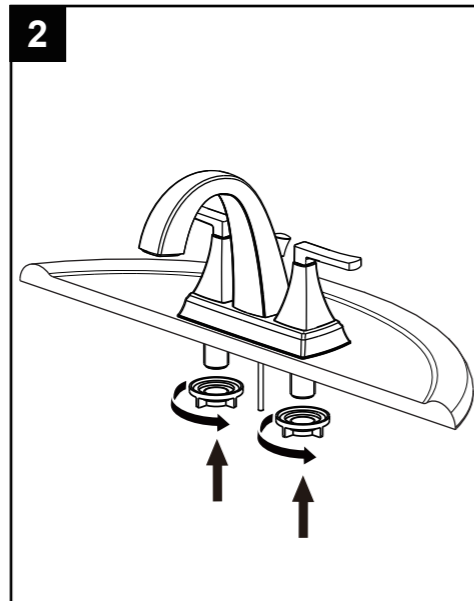
- En el caso de utilizar soldadura para instalar el grifo, remueva los asientos, cartuchos y arandelas antes de usar la llama. De lo contrario, se anulará la garantía para esos componentes.
- Tape la boca del desagüe para prevenir la pérdida de piezas pequeñas.
- 0°C~55°C.

1



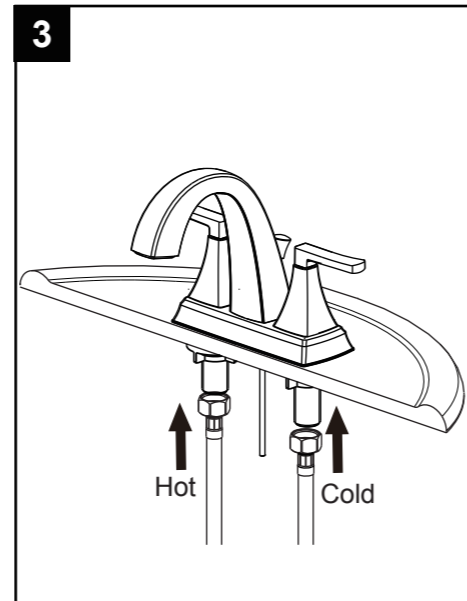
Lower faucet into mounting hole.

2



Carefully tighten lock nut to secure faucet.

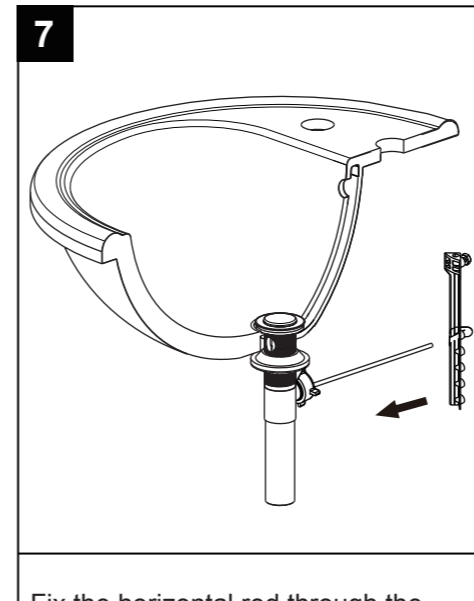
3



Install water inlet hoses.

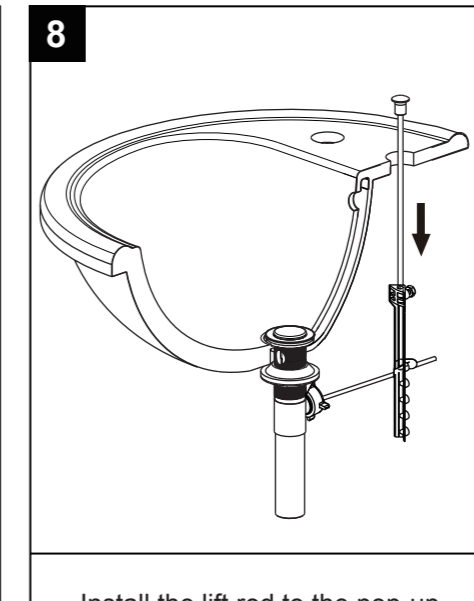
Hot Cold

7



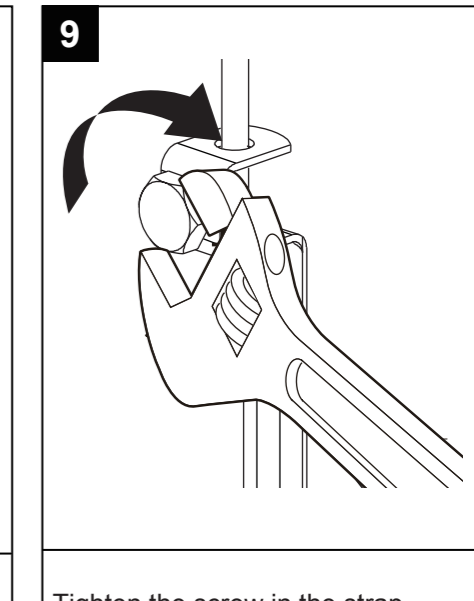
Fix the horizontal rod through the metal clip and lift rod strap.

8



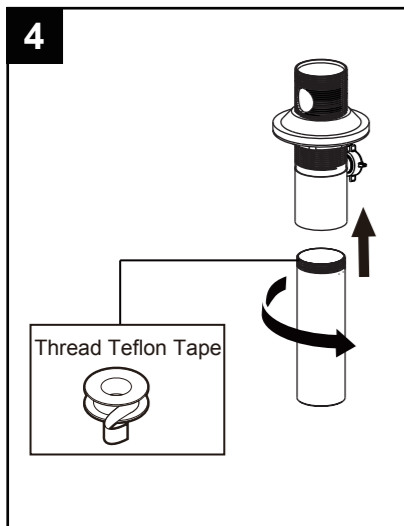
Install the lift rod to the pop-up.

9



Tighten the screw in the strap onto the lift rod.

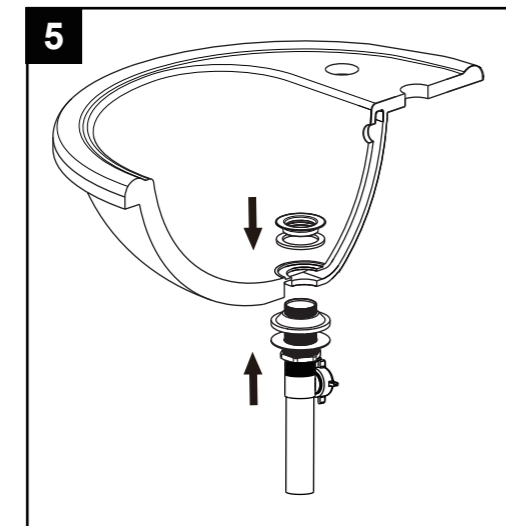
4



Apply teflontape to the thread on the drain.

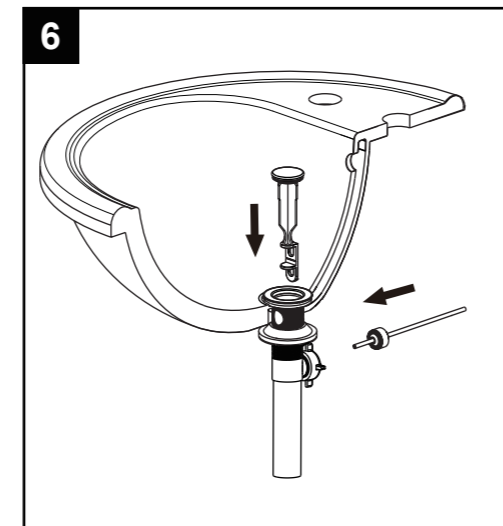
Thread Teflon Tape

5



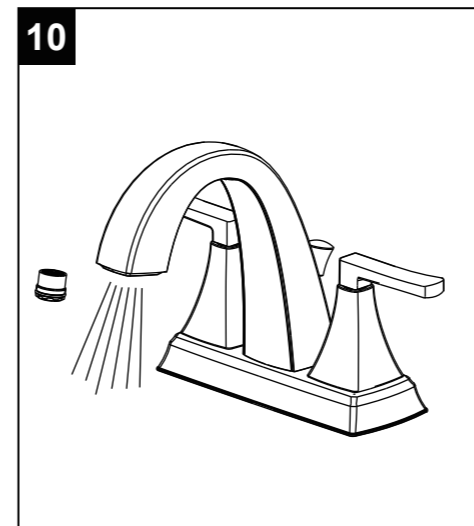
Slide drain trim and plug into drain hole and secure from below.

6



Install the drain plug assembly and the movable rod assembly into the pop-up assembly.

10



Remove aerator with coin and flush out debris. Reinstall aerator.