



LAVATORY FAUCET

- **Two-Handle Centerset Lavatory Faucet**
- **3-Hole Centerset Installation**

STANDARD SPECIFICATIONS

- Ceramic Cartridge
- Brass shank inlet with 1/2" male NPSM connection
- 1.2gpm max @ 60psi
- Solid Brass Waterway
- With Push Pop-up drain

FINISHES INCLUDE

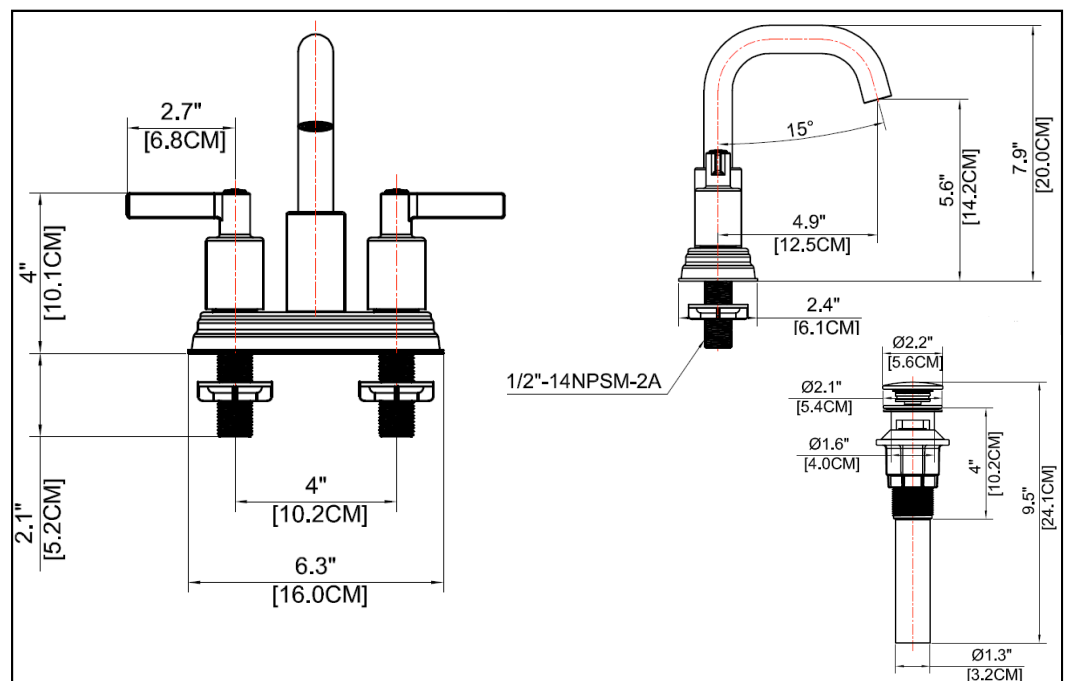
- Polished Chrome (UF46700)
- Brushed Nickel (UF46703)
- Oil Rubbed Bronze (UF46705)
- Matte Black (UF46707)
- Brushed Gold (UF46708)

WARRANTY

- Limited lifetime warranty on workmanship and materials to the original purchaser

COMPLIES WITH

- NSF 61-9
- ASME A112.18.1
- CSA B125.1
- IAPMO/UPC/cUPC
- AB1953
- ADA



tel. 888-OK-ULTRA (658-5872) • fax. 949-252-9989 • <http://www.ultrafaucets.com>

This specification is provided for reference only. Ultra Faucets reserves the right to modify specifications and materials without notice or obligation.